

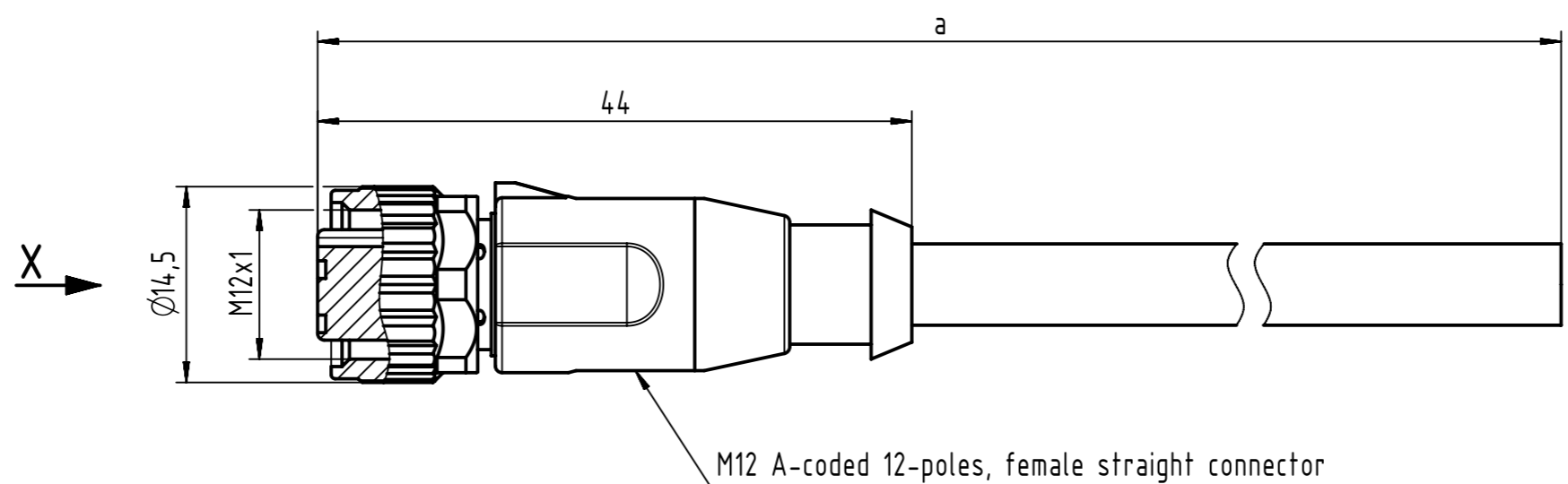


**HESTORE.HU**

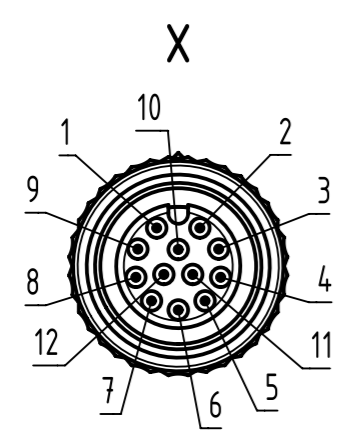
elektronikai alkatrész áruház

**EN:** This Datasheet is presented by the manufacturer.

Please visit our website for pricing and availability at [www.hestore.hu](http://www.hestore.hu).

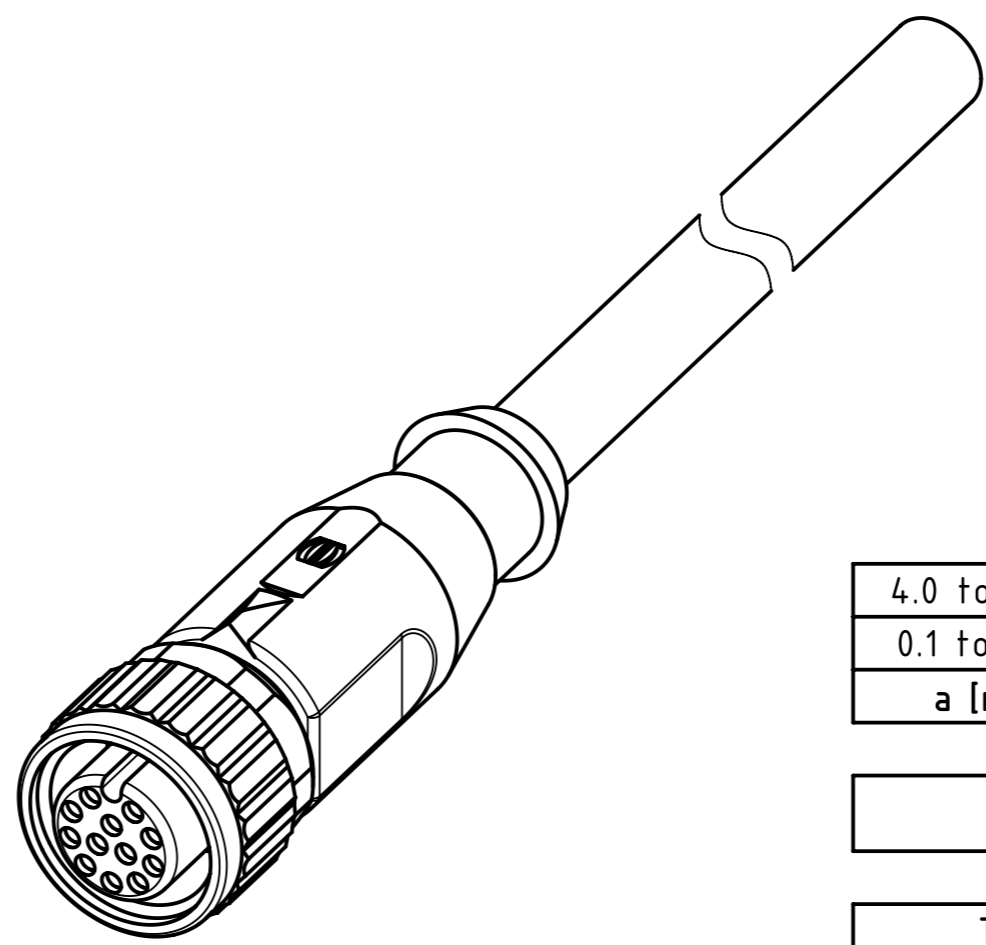


M12 A-coded 12-poles, female straight connector



Loading-Plan:

- 1 brown
- 2 blue
- 3 white
- 4 green
- 5 pink
- 6 yellow
- 7 black
- 8 grey
- 9 red
- 10 violet
- 11 grey-pink
- 12 red-blue



- Protection level: IP67  
 - Temperature range: -30°C ... +80°C

length in "1m" step	100	XXX=000
	99	XXX=990
	.	.
	12	XXX=120
length in "0.1m" step	11	XXX=110
	10	XXX=100
	9.9	XXX=099
	9.8	XXX=098
	.	.
	0.4	XXX=004
	0.3	XXX=003
	0.2	XXX=002
	0.1	XXX=001
Step	a [m]	XXX

4.0 to 100	+1%
0.1 to 3.9	+0.04
a [m]	Tolerance

Part no.	21348500CXXXXX
----------	----------------

Type of cable	XX
PVC grey, 12x0.14mm <sup>2</sup>	XX=79
PUR black, 12x0.14mm <sup>2</sup>	XX=78

	All rights reserved	Created by TAMAS	Inspected by AVRAM	Standardisation KOHLER	Date 2014-07-18	State Final Release	
	Department EC PD - RO	Title M12 A-coded Cable Assembly				Doc-Key / ECM-Nr. 100583139/UGD/009/A 50000077739	
HARTING Electronics GmbH D-32339 Espelkamp		Type TB	Number 21348500CXXXXX			Rev. A	Page 1/1