



HESTORE.HU

elektronikai alkatrész áruház

EN: This Datasheet is presented by the manufacturer.

Please visit our website for pricing and availability at www.hestore.hu.

4V100 Series Solenoid Valve, Pneumatic Control Valve



Ordering code

4V	1	10	-	06	B	-	AC220V	-	W
Specification 4V:5/2(3) way solenoid valve 4A:5/2(3) way pneumatic control valve 3V:3/2 way solenoid valve 3A:3/2 way pneumatic control valve	Series 100 series	Coil and places 10:Single-head double-position 20:Double-head double-position 30C:Double-head three-position close centre 30E:Double-head three-position exhaust centre 30P:Double-head three-position Pressure centre		Port size M5: M5×0.8 06: 1/8"	Joint pipe form and initial state Blank:Pipe connection type B:5/2 way plate connection type 5/3 way plate connection type NC:3/2 way normal close type NO:3/2 way normal open type		Coil voltage DC12V DC24V AC24V 50Hz/60Hz AC110V 50Hz/60Hz AC220V 50Hz/60Hz AC380V 50Hz/60Hz		Electrical entry Blank:Standard connector LD:Brown connector with light LD::White connector with light W: Lead wire type

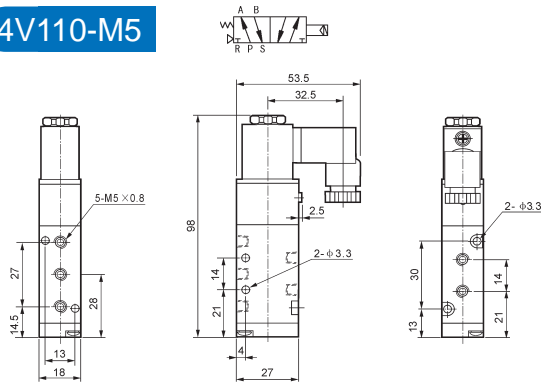
Specifications

Model	4V110-M5	4V120-M5	4V130C-M5	4V130E-M5	4V130P-M5	4V110-06	4V120-06	4V130C-06	4V130E-06	4V130P-06
	4A110-M5	4A120-M5	4A130C-M5	4A130E-M5	4A130P-M5	4A110-06	4A120-06	4A130C-06	4A130E-06	4A130P-06
Position and way NO.	5/2 way		5/3 way			5/2 way		5/3 way		
Effective area	10mm ² (CV=0.56)		7mm ² (CV=0.40)			12mm ² (CV=0.67)		9mm ² (CV=0.5)		
Model	3V110-M5	3V120-M5	3A110-M5	3A120-M5	3V110-06	3V120-06	3A110-06	3A120-06		
Position and way NO.	3/2 way				3/2 way					
Effective area	10mm ² (CV=0.56)				12mm ² (CV=0.67)					
Port size	Air inlet=Air outlet=Exhaust=M5×0.8				Air inlet=Air outlet=Exhaust=G1/8"					
Fluid	40 micron filtered air									
Operation	Inside pilot type									
Operating pressure	0.15~0.8MPa									
Max. proof pressure	1.2MPa									
Temperature	5~50℃									
Allowable voltage	±10% of rated voltage									
Power consumption	AC: 2.5VA DC: 2.5W									
Coil insulation & protection grade	Class F. IP65									
Electrical entry	Lead wire or connector									
Highest action frequency	5 cycle / second									
Shortest excitation time	0.05 second									

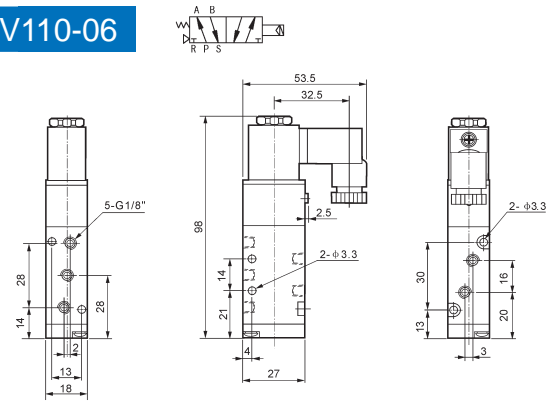
4V100 Series Solenoid Valve

● Dimensions

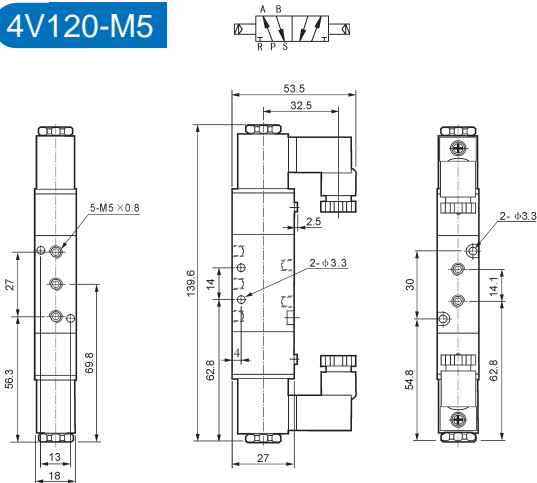
4V110-M5



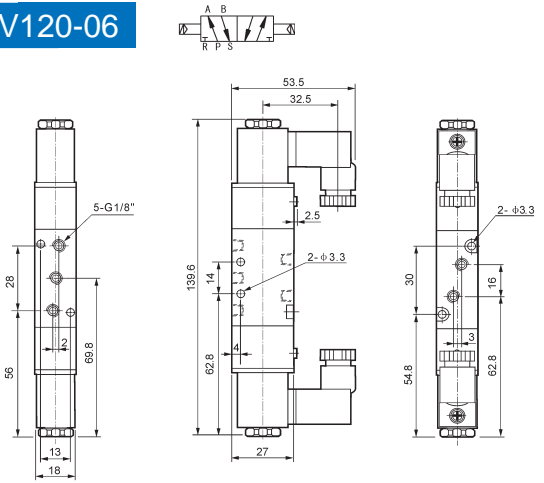
4V110-06



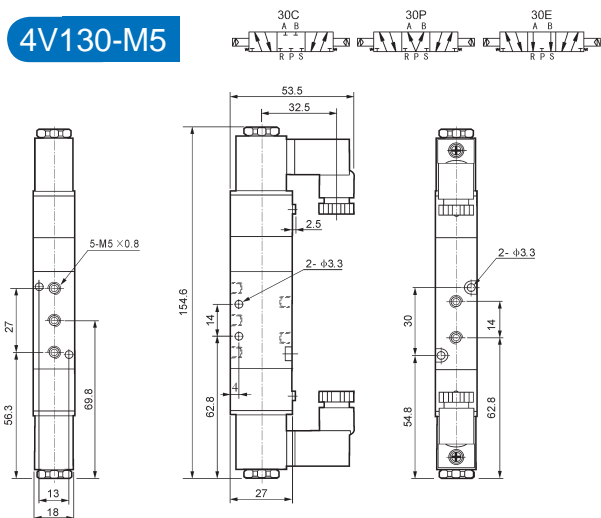
4V120-M5



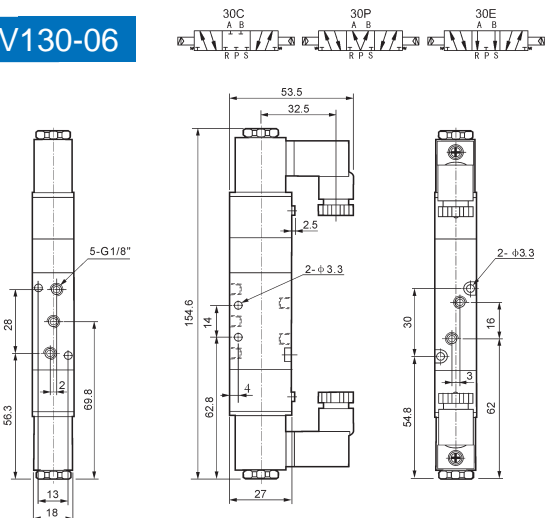
4V120-06



4V130-M5



4V130-06





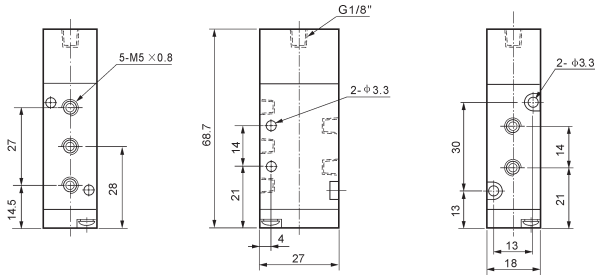
VOGUE PNEUMATICS

Ningbo Vogue Pneumatics Industry Co., Ltd.

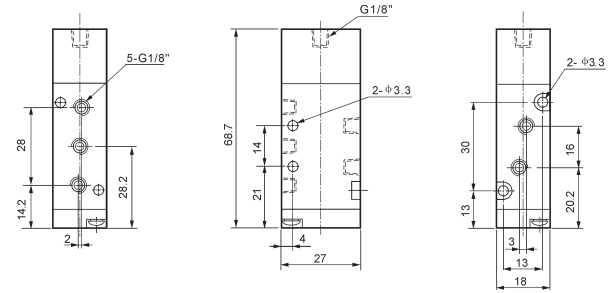
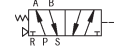
4A 100 Series Pneumatic Control Valve

Dimensions

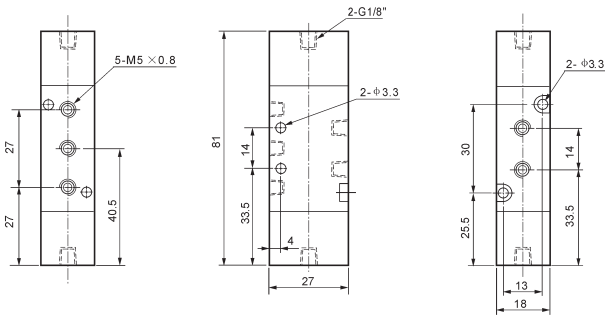
4A110-M5



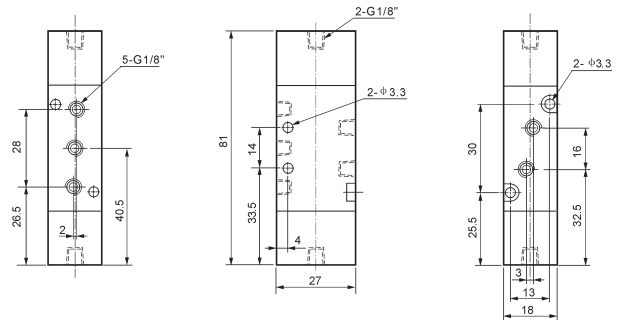
4A110-06



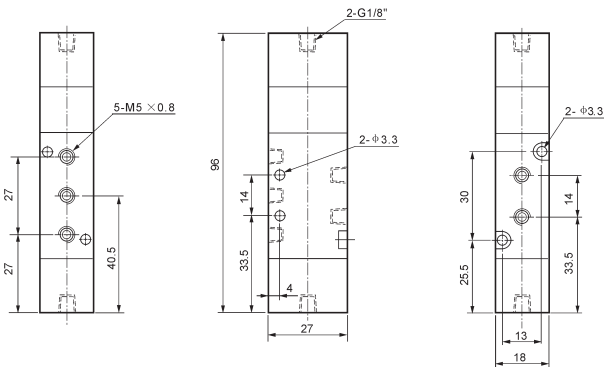
4A120-M5



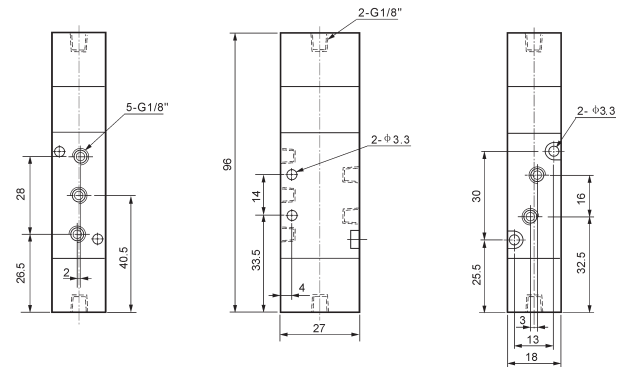
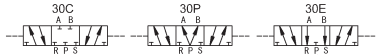
4A120-06



4A130-M5



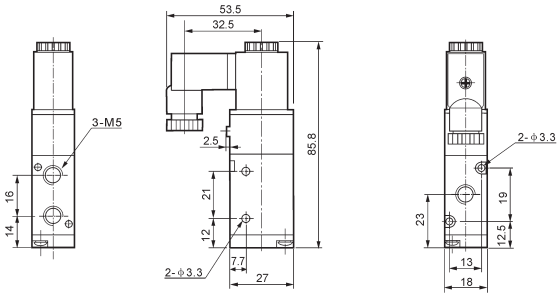
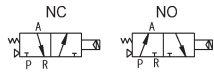
4A130-06



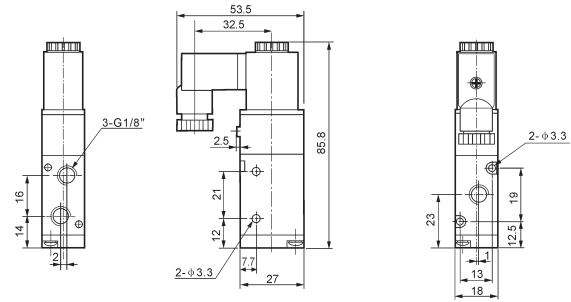
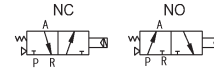
3V100 Series Solenoid Valve & 3A 100 Series Pneumatic Control Valve

● Dimensions

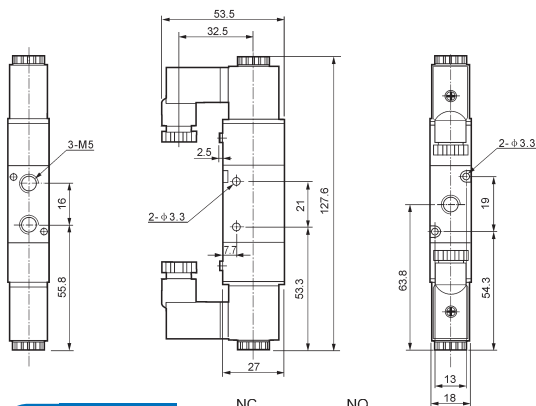
3V110-M5



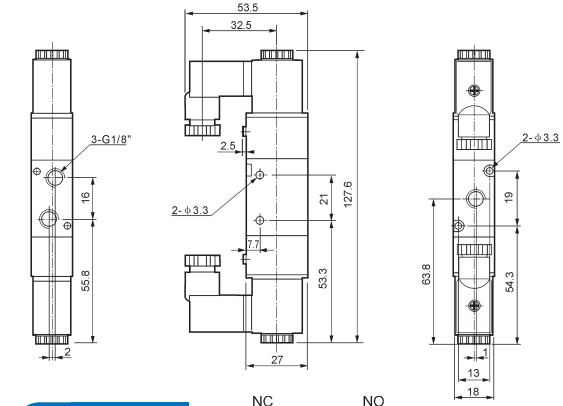
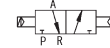
3V110-06



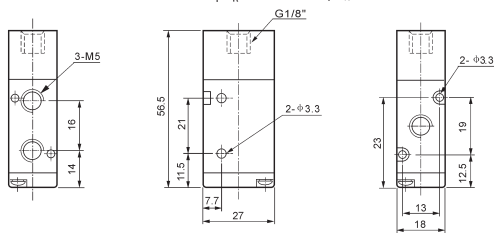
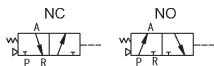
3V120-M5



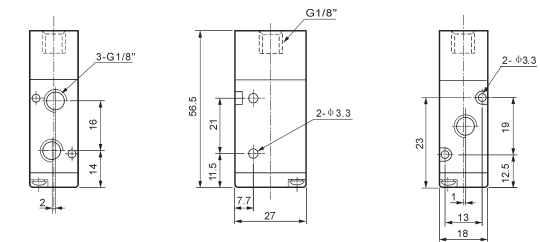
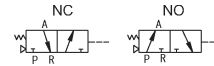
3V120-06



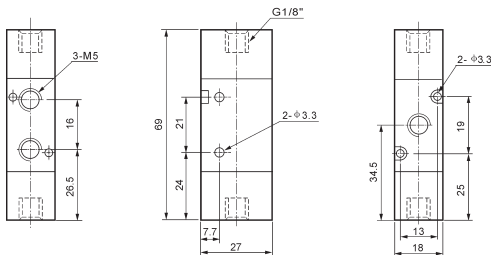
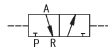
3A110-M5



3A110-06



3A120-M5



3A120-06

