

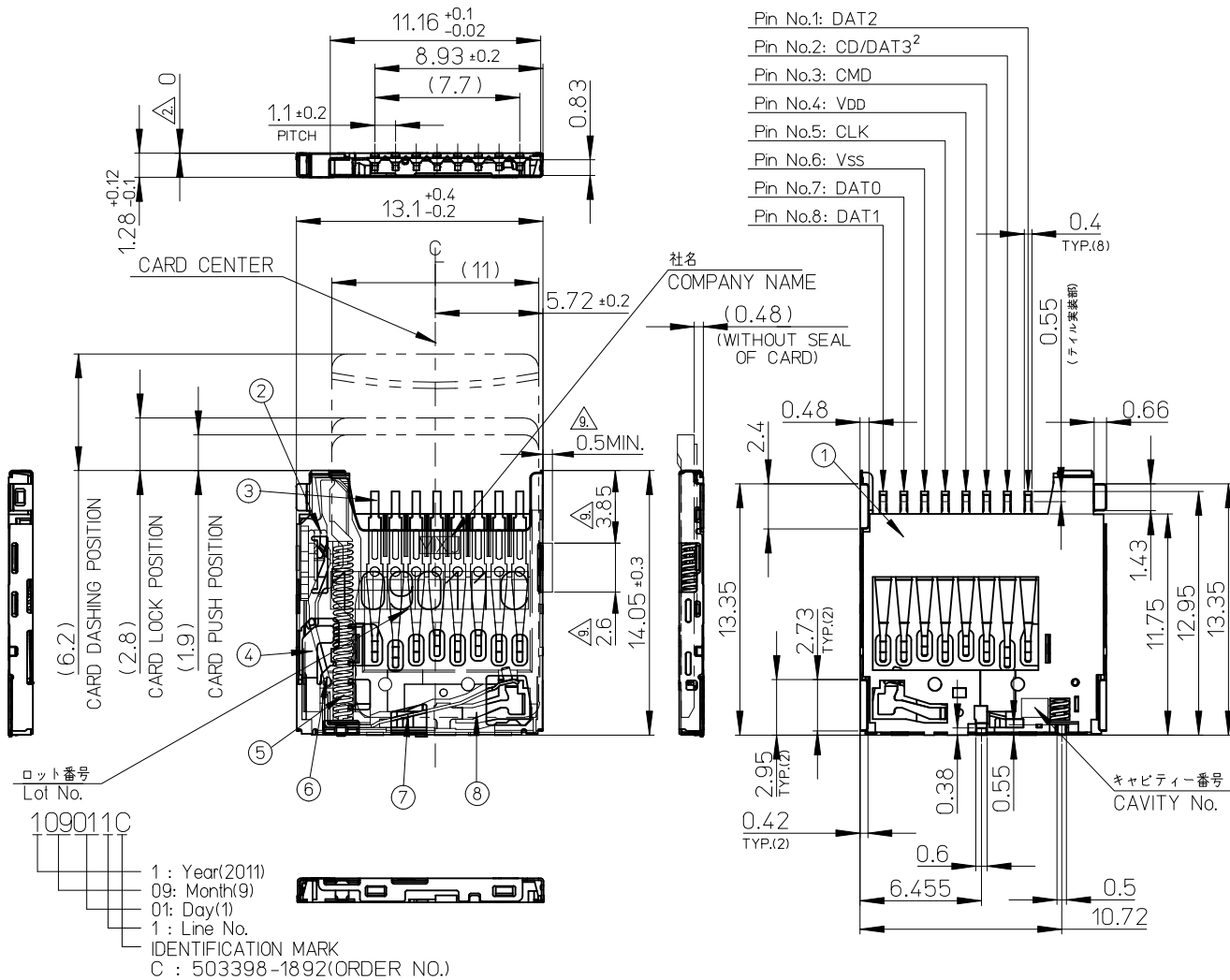


**HESTORE.HU**

elektronikai alkatrész áruház

**EN:** This Datasheet is presented by the manufacturer.

Please visit our website for pricing and availability at [www.hestore.hu](http://www.hestore.hu).



**NOTES**

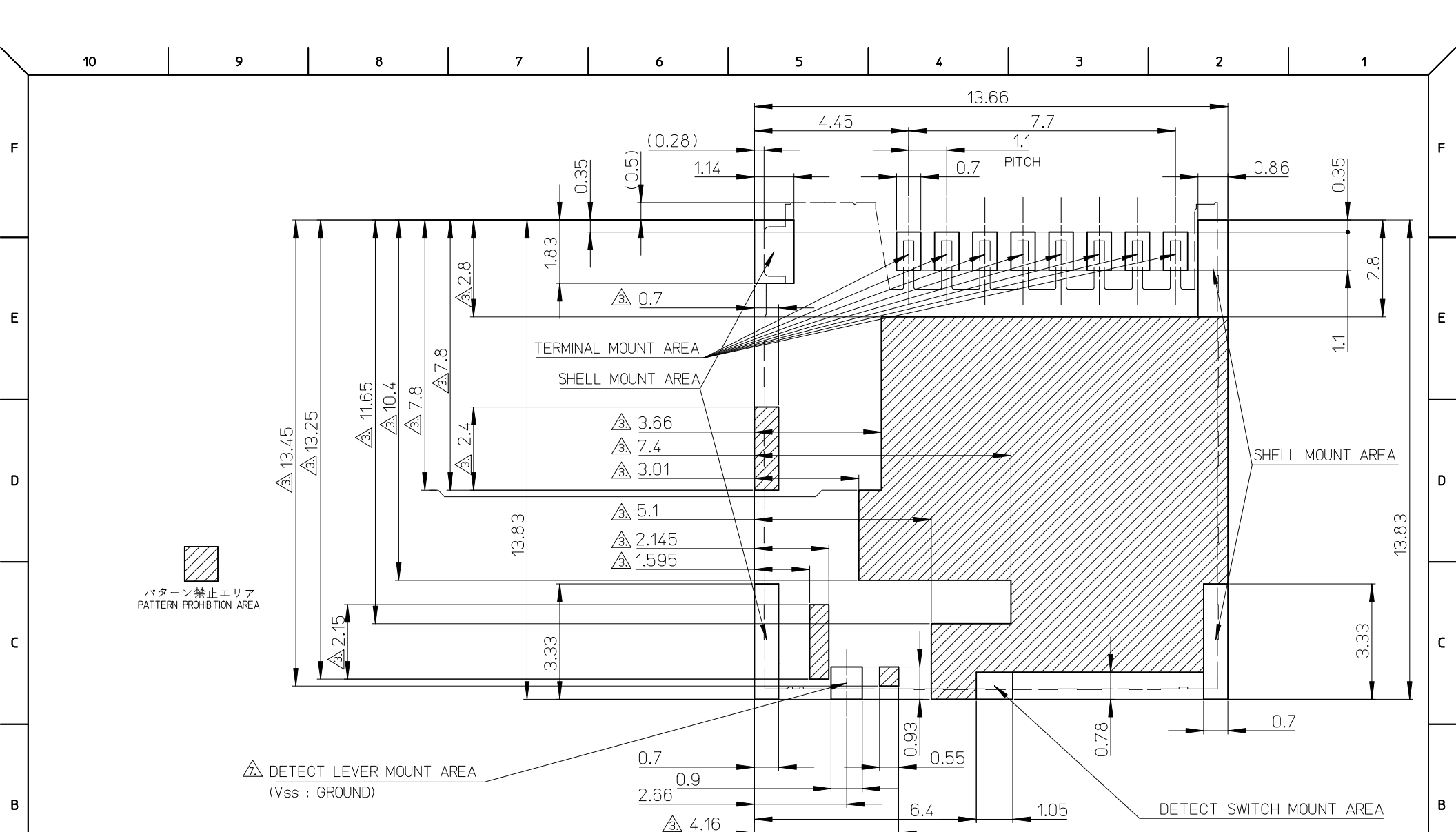
- ターミナル及びネイルの平坦度は 0.1 MAX. (測定用定板面を基準)  
TERMINAL AND NAIL COPLANARITY TO BE 0.1 MAX.(FROM GAUGE PLANE)
- △ スタンドオフ寸法 STAND OFF
- △ パターン禁止エリア PATTERN PROHIBITION AREA
- カード検知スイッチ DETECT SWITCH
 

カード挿入時 CARD INSERTING POSITION	クローズ CLOSE
カード未挿入時 NO CARD	オープン OPEN
- 肉抜き位置は任意とする。CAVITY IS TO BE OPTIONAL.
- ロット印字は任意とする。LOT NUMBERING IS TO BE OPTIONAL.
- △ GND 推奨パターン GND RECOMMENDED PATTERN.
- ELV 及び RoHS 適合品 ELV AND RoHS COMPLIANT.
- △ カード裏挿し誤挿入時、カード突出エリア (他の部品の設置、非推奨範囲)  
WHEN A CARD IS MISS-MATED IN THE REVERSE ORIENTATION, PART OF THE CARD PROTRUDES FROM THE SHELL DUE TO THE CARD-MISS MATING PREVENTION FEATURE. THEREFORE, NO COMPONENTS ARE ALLOWED TO BE PLACED IN THIS AREA.
- 本製品はカード排出性向上品です。  
This product is card ejection performance improvement type.

503398-1892	8
EMBOSSED PACKAGE	極数
オーダー番号 ORDER NO.	CIRCUITS
CONNECTOR SERIES No. 503398-1821	

RELEASED EC NO: J2012-0534 DRWN: YGOTO 2011/12/13 CHKD: MTOMITA 2011/12/13 APPR: YOITO 2011/12/16	DESCRIPTION GENERAL TOLERANCES (UNLESS SPECIFIED) 10 UNDER ±0.2 10 OVER 30 UNDER ±0.25 30 OVER ±0.3 ANGULAR ±1 ° DRAFT WHERE APPLICABLE MUST REMAIN WITHIN DIMENSIONS	DIMENSION STYLE MM ONLY		SCALE	DESIGN UNITS	THIRD ANGLE PROJECTION	
		DRAWN BY YGOTO	DATE 2011/12/13	---	METRIC		
		CHECKED BY MTOMITA	DATE 2011/12/13	TITLE MICRO SD CONN. PUSH/PUSH & NORMAL SUPER-SMALL TYPE		MOLEX INCORPORATED	
		APPROVED BY YOITO	DATE 2011/12/16	MATERIAL NO. SEE CHART	DOCUMENT NO. SD-503398-003	SHEET NO. 1 OF 3	

THIS DRAWING CONTAINS INFORMATION THAT IS PROPRIETARY TO MOLEX INCORPORATED AND SHOULD NOT BE USED WITHOUT WRITTEN PERMISSION




  
 パターン禁止エリア  
 PATTERN PROHIBITION AREA

 DETECT LEVER MOUNT AREA  
 (Vss : GROUND)

DETECT SWITCH MOUNT AREA

RECOMMENDED  
PCB PATTERN LAYOUT  
 (GENERAL TOLERANCE : ±0.05)

RELEASED EC NO: J2012-0534 DRWN: YGOTO CHKD: TOMITA APPR: YOITO	2011/12/13 2011/12/13 2011/12/16	GENERAL TOLERANCES (UNLESS SPECIFIED)		DIMENSION STYLE MM ONLY		SCALE ---	DESIGN UNITS METRIC	THIRD ANGLE PROJECTION		
		10 UNDER	±0.2	DRAWN BY YGOTO	DATE 2011/12/13	TITLE MICRO SD CONN. PUSH/PUSH & NORMAL SUPER-SMALL TYPE				
		10 OVER 30 UNDER	±0.25	CHECKED BY TOMITA	DATE 2011/12/13	 MOLEX INCORPORATED DOCUMENT NO. SD-503398-003 SHEET NO. 2 OF 3				
		30 OVER	±0.3	APPROVED BY YOITO	DATE 2011/12/16					
ANGULAR ±1 °		DRAFT WHERE APPLICABLE MUST REMAIN WITHIN DIMENSIONS		MATERIAL NO. SEE CHART						
				SIZE A3	THIS DRAWING CONTAINS INFORMATION THAT IS PROPRIETARY TO MOLEX INCORPORATED AND SHOULD NOT BE USED WITHOUT WRITTEN PERMISSION					

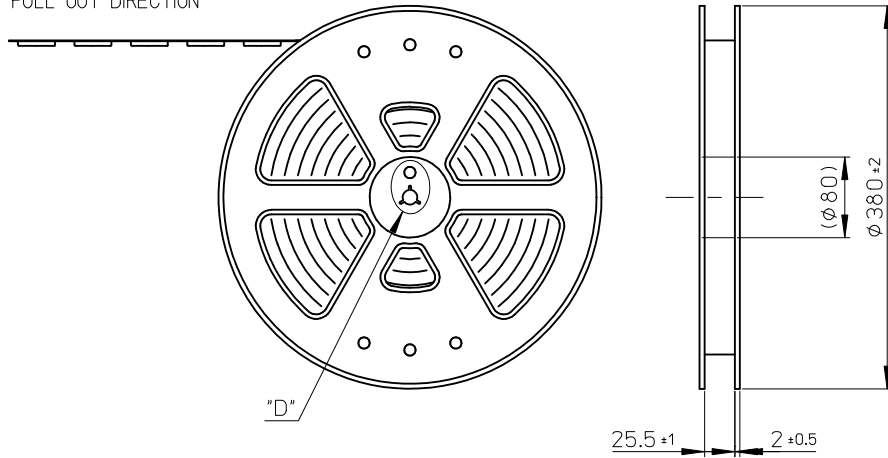
番号 NO.	名称 NAME	材 料 MATERIAL	仕上げ(めっき) FINISHES (PLATING)
①	ハウジング HOUSING	液晶ポリマー(LCP)、ガラス充填、UL94 V-0、黒 LIQUID CRYSTAL POLYMER (LCP), GLASS FILLED, UL94 V-0, BLACK ポリプラスチック製 VECTRA S475 VECTRA S475 MADE OF POLYPLASTICS	
②	カムスライダ CAM SLIDER	液晶ポリマー(LCP)、ガラス充填、UL94 V-0、黒 LIQUID CRYSTAL POLYMER (LCP), GLASS FILLED, UL94 V-0, BLACK ポリプラスチック製 VECTRA E130i VECTRA E130i MADE OF POLYPLASTICS	
③	ターミナル TERMINAL	燐青銅 C52100(±0.15) PHOSPOHR BRONZE C52100(±0.15)	接触部: 金めっき (0.5 μm MIN.) テール部: 錫めっき (2.0 μm MIN.) 下地: ニッケルめっき (1.0 μm MIN.) CONTACT AREA: GOLD PLATING (0.5 MICROMETER MINIMUM.) SOLDER TAIL AREA: TIN PLATING (2.0 MICROMETER MINIMUM.) UNDERPLATE: NICKEL OVERALL (1.0 MICROMETER MINIMUM.)
④	シェル SHELL	ステンレス鋼 SUS301(±0.1) STAINLESS STEEL SUS301(±0.1)	基板実装部: 金めっき (0.02 μm MIN.) 下地: ニッケルめっき (0.5 μm MIN.) NAIL AREA: GOLD PLATING (0.02 MICROMETER MINIMUM.) UNDERPLATE: NICKEL OVERALL (0.5 MICROMETER MINIMUM.)
⑤	スプリング SPRING	ピアノ線 SWP	全面: ニッケルめっき (3.0 μm MIN.) NICKEL OVERALL (3.0 MICROMETER MINIMUM.)
⑥	ピン PIN	ステンレス鋼 SUS304 STAINLESS STEEL SUS304	
⑦	ディテクト レバー DETECT LEVER	燐青銅 C52100(±0.15) PHOSPOHR BRONZE C52100(±0.15)	接触部: 金めっき (0.2 μm MIN.) 基板実装部: 金めっき 下地: ニッケルめっき CONTACT AREA: GOLD PLATING (0.2 MICROMETER MINIMUM.) NAIL AREA: GOLD PLATING UNDERPLATE: NICKEL OVERALL
⑧	ディテクト スイッチ DETECT SWITCH	燐青銅 C52100(±0.15) PHOSPOHR BRONZE C52100(±0.15)	接触部: 金めっき (0.2 μm MIN.) 基板実装部: 金めっき 下地: ニッケルめっき CONTACT AREA: GOLD PLATING (0.2 MICROMETER MINIMUM.) NAIL AREA: GOLD PLATING UNDERPLATE: NICKEL OVERALL

RELEASED EC NO: J2012-0534 DRWN: YGOTO 2011/12/13 CHKD: MTOMITA 2011/12/13 APPR: YOITO 2011/12/16	DESCRIPTION REV: 0	GENERAL TOLERANCES (UNLESS SPECIFIED)		DIMENSION STYLE MM ONLY		SCALE 1:1	DESIGN UNITS METRIC	THIRD ANGLE PROJECTION	
		10 UNDER	±0.2	DRAWN BY YGOTO	DATE 2011/12/13	TITLE MICRO SD CONN. PUSH/PUSH & NORMAL SUPER-SMALL TYPE			
		10 OVER 30 UNDER	±0.25	CHECKED BY MTOMITA	DATE 2011/12/13	MOLEX INCORPORATED			
		30 OVER	±0.3	APPROVED BY YOITO	DATE 2011/12/16				
ANGULAR ±1 °		DRAFT WHERE APPLICABLE MUST REMAIN WITHIN DIMENSIONS		MATERIAL NO. SEE SEET 1 OF 3		DOCUMENT NO. SD-503398-003	SHEET NO. 3 OF 3		
				SIZE A3	THIS DRAWING CONTAINS INFORMATION THAT IS PROPRIETARY TO MOLEX INCORPORATED AND SHOULD NOT BE USED WITHOUT WRITTEN PERMISSION				

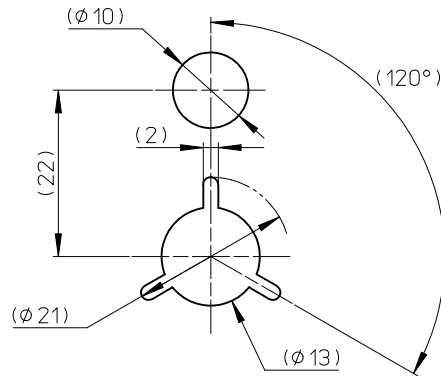
NOTES

- 製品詳細寸法については、SD 図面を参照下さい。  
RE DETAILED DIMENSION, SEE SALES DRAWING.
- 梱包数量: 2400個/リール  
NUMBER OF CONNECTORS: 2400 PCS/REEL.
- リードテープ長さ LEAD TAPE LENGTH.

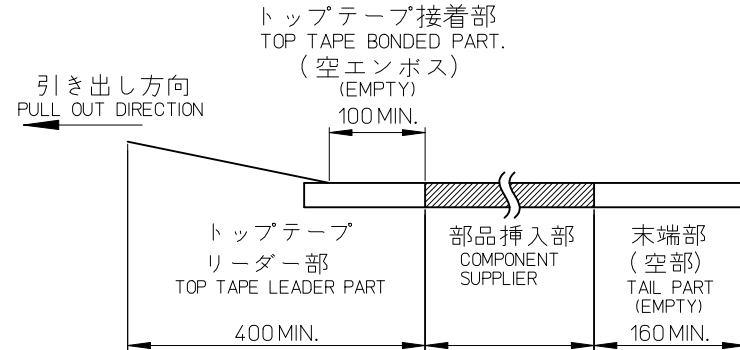
引き出し方向  
PULL OUT DIRECTION



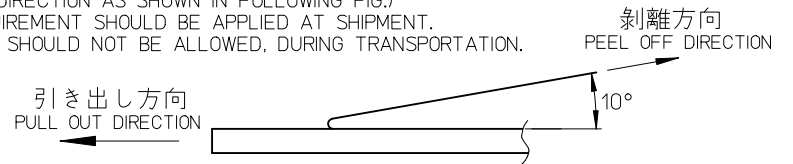
"D"



DETAIL "D"



- トップテープの剥離強度: JIS C0806-3に準拠(剥離方向は下図参照)  
尚、本規格値は出荷時に適用。(但し、輸送時に剥離が発生しないこと。)  
PEELING OFF FORCE OF TOP TAPE: BASED UPON JIS C0806-3  
(PEELING DIRECTION AS SHOWN IN FOLLOWING FIG.)  
THIS REQUIREMENT SHOULD BE APPLIED AT SHIPMENT.  
PEEL OFF SHOULD NOT BE ALLOWED, DURING TRANSPORTATION.

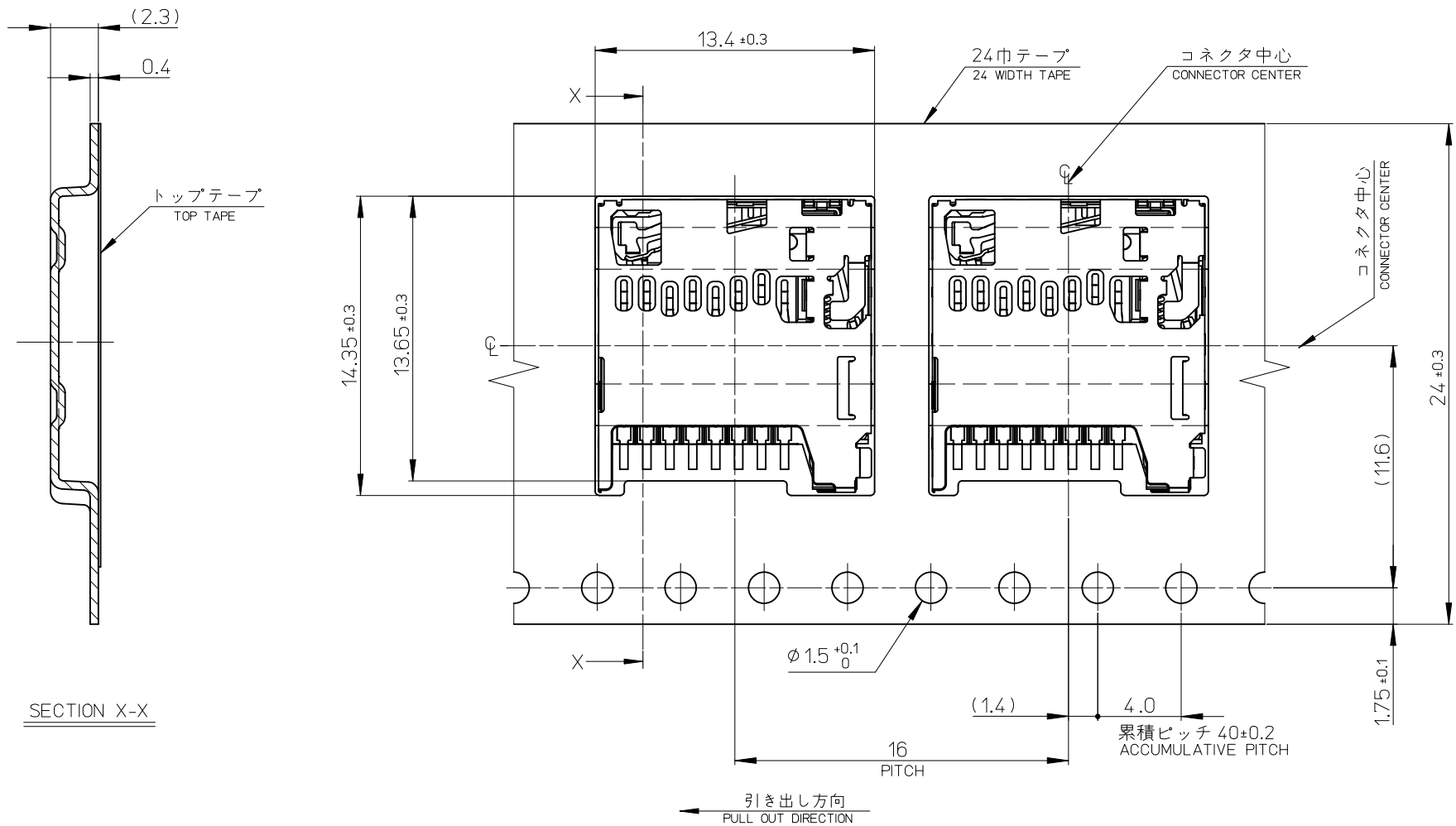


- 材料 MATERIAL  
キャリアテープ (CARRIER TAPE): ポリスチレン (POLYSTYRENE)  
トップテープ (TOP TAPE): PET, PE, PEF  
リール (REEL): ポリスチレン (PS) <リサイクル材含む>  
POLYSTYRENE (PS) <RECYCLE MATERIAL CONTAINED>

503398-1892	8
EMBOSSED PACKAGE	極数
オーダー番号 ORDER NO.	CIRCUITS
CONNECTOR SERIES No. 503398-1821	

RELEASED EC NO.: J2012-0534 DRWN: YGOTO 2011/12/13 CHKD: MTOMITA 2011/12/13 APPR: YOITO 2011/12/16	GENERAL TOLERANCES (UNLESS SPECIFIED)		DIMENSION STYLE MM ONLY		SCALE 1:1	DESIGN UNITS METRIC	THIRD ANGLE PROJECTION
	10 UNDER	±0.2	DRAWN BY YGOTO	DATE 2011/12/13	TITLE EMBOSSED TAPE PACKAGE FOR 503398-18**  MOLEX INCORPORATED SEE CHART SD-503398-004		
	10 OVER 30 UNDER	±0.25	CHECKED BY MTOMITA	DATE 2011/12/13			
	30 OVER	±0.3	APPROVED BY YOITO	DATE 2011/12/16			
ANGULAR ±1 °		MATERIAL NO.	DOCUMENT NO.	SHEET NO.			
DRAFT WHERE APPLICABLE MUST REMAIN WITHIN DIMENSIONS		SIZE A3		THIS DRAWING CONTAINS INFORMATION THAT IS PROPRIETARY TO MOLEX INCORPORATED AND SHOULD NOT BE USED WITHOUT WRITTEN PERMISSION			

10 9 8 7 6 5 4 3 2 1



RELEASED EC NO: J2012-0534 DRWN: YGOTO 2011/12/13 CHKD: MTOMITA 2011/12/13 APPR: YOITO 2011/12/16 REV: 0	GENERAL TOLERANCES (UNLESS SPECIFIED)		DIMENSION STYLE MM ONLY		SCALE ---	DESIGN UNITS METRIC	THIRD ANGLE PROJECTION
	10 UNDER	± 0.2	DRAWN BY YGOTO	DATE 2011/12/13	TITLE EMBOSSSED TAPE PACKAGE FOR 503398-18**		
	10 OVER 30 UNDER	± 0.25	CHECKED BY MTOMITA	DATE 2011/12/13	MOLEX INCORPORATED		
	30 OVER	± 0.3	APPROVED BY YOITO	DATE 2011/12/16	MATERIAL NO. SEE CHART	DOCUMENT NO. SD-503398-004	SHEET NO. 2 OF 2
	ANGULAR ± 1 °		THIS DRAWING CONTAINS INFORMATION THAT IS PROPRIETARY TO MOLEX INCORPORATED AND SHOULD NOT BE USED WITHOUT WRITTEN PERMISSION				
DRAFT WHERE APPLICABLE MUST REMAIN WITHIN DIMENSIONS							