



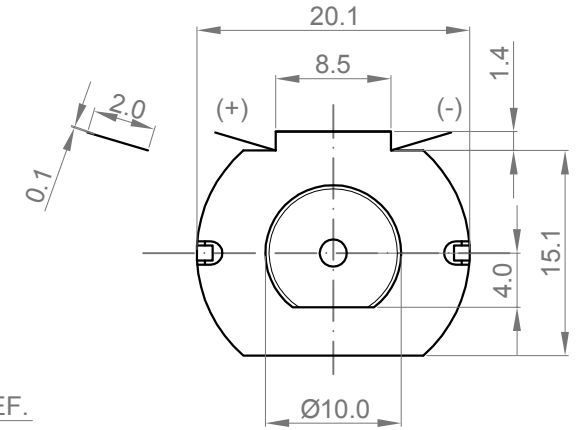
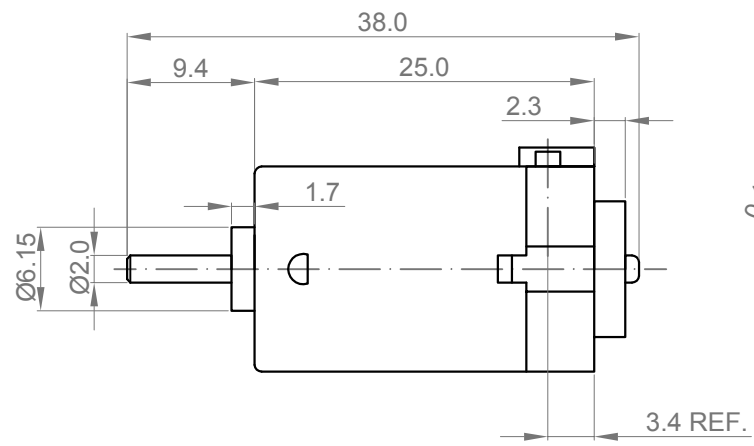
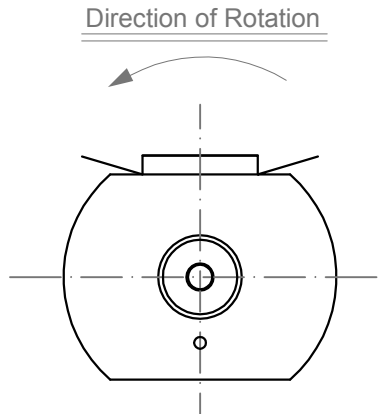
HESTORE.HU

elektronikai alkatrész áruház

EN: This Datasheet is presented by the manufacturer.

Please visit our website for pricing and availability at www.hestore.hu.

Rev.	Description	Date
01	Release for production	02/27/2012



NO.	Item	Specification	NO.	Item	Specification
1	Rated Voltage	3 VDC	7	Rated Torque	8.4 g.cm
2	Operating Voltage	1.5-3.0 VDC	8	Output Power	1.15 W
3	No Load Speed	16400 RPM	9	Stall Torque	43.1 g.cm
4	No Load Current	0.23 A	10	Stall Current	3.92 A
5	Rated Speed	13200 RPM			
6	Rated Current	0.95 A			

Drawn	Emily	02/27/2012	Unit: mm	
Checked	Sara	02/27/2012		
Eng Appr.			Sinotech Motor HESTORE.HU	
Mfg Appr.				
Q.A.				
P/N	DCM-3V (1003.5558)		Size : A4	Weight(Kg):
			Scale: 4 : 1	