



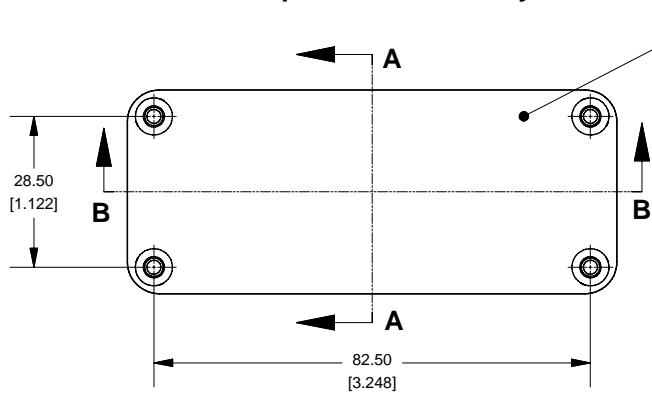
HESTORE.HU

elektronikai alkatrész áruház

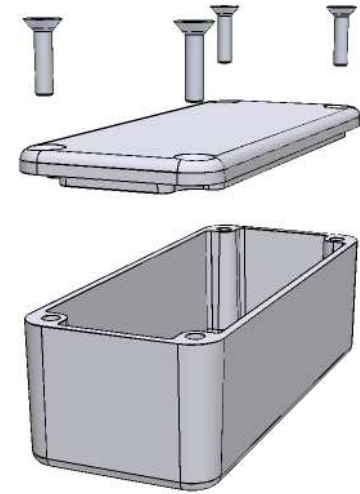
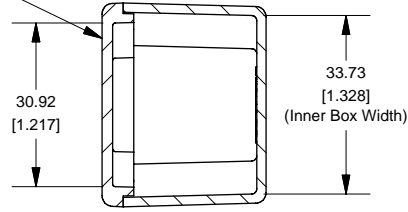
EN: This Datasheet is presented by the manufacturer.

Please visit our website for pricing and availability at www.hestore.hu.

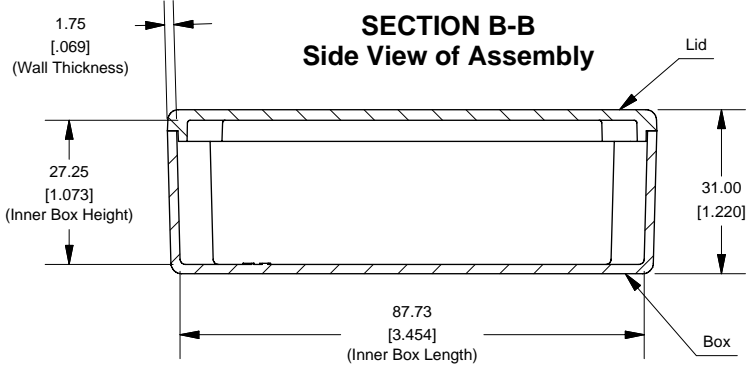
Top View of Assembly



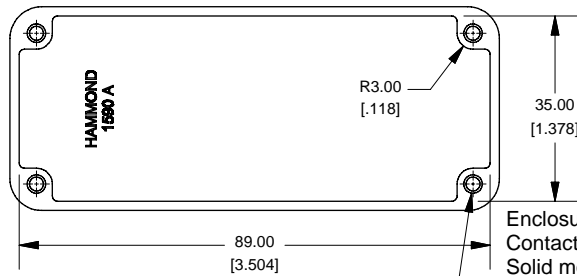
SECTION A-A
End View of Assembly



SECTION B-B
Side View of Assembly



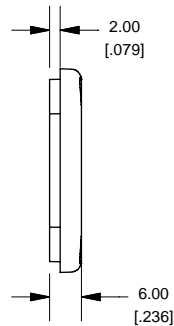
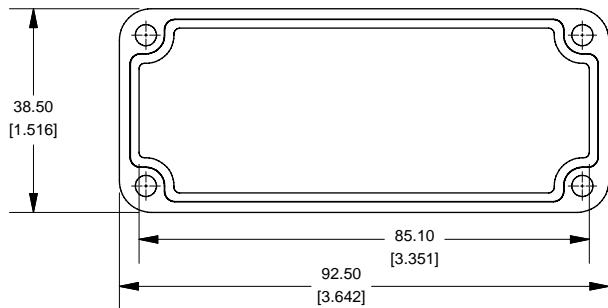
Top View Looking Inside Box



Enclosures can be Factory Modified (Milling, Drilling, Printing etc.)
Contact Factory mjm@hammondmfg.com for quotes
Solid models of this enclosure available in STEP or IGES.

6-32 UNC - 2B ∇ 10.00
 \perp \varnothing 3.50 ∇ 3.00
(Threaded Holes)

Lid



NOTE

Purchased assembly includes box, lid and 4 cover screws.
Box and lid are made from Diecast Aluminum Alloy (alloy type 380).
Silicone Gasket Loctite #5950

PART NUMBERS

1590A Enclosure	
Unfinished	1590A
Grey Textured Polyester Powder Paint - RAL 7038	1590AGY
Black Textured Polyester Powder Paint - RAL 9011	1590ABK
1590A Liquid Resistant Enclosure (Silicon Factory Installed Gasket)	
Unfinished	1590WA
Black Textured Powder Paint	1590WABK
ACCESSORIES	
Recommended Torque: 75 ozf.in / 55 cN.m	
Black Textured Cover Screws (Pkg 50) [6-32 x 1/2" SS Type 304]	1590WMS100BK
Unfinished Cover Screws (Pkg 100) [6-32 x 1/2" Nickel Plated Screws]	1590WMS100
Standard Cover Screws	
Unfinished Cover Screws (Pkg 100) [6-32 x 1/2" Nickel Plated Screws]	1590MS100
Black Textured Cover Screws (Pkg 50) [6-32 x 1/2" SS Type 304]	1590MS100BK

**HAMMOND
MANUFACTURING™**
1590A
www.hammondmfg.com