



**HESTORE.HU**

elektronikai alkatrész áruház

**EN:** This Datasheet is presented by the manufacturer.

Please visit our website for pricing and availability at [www.hestore.hu](http://www.hestore.hu).



**Future Technology Devices International Ltd.**

# **FT232R USB UART I.C.**

**Incorporating Clock Generator Output  
and FTDIChip-ID™ Security Dongle**

*The **FT232R** is the latest device to be added to FTDI's range of USB UART interface Integrated Circuit Devices. The FT232R is a USB to serial UART interface with optional clock generator output, and the new FTDIChip-ID™ security dongle feature. In addition, asynchronous and synchronous bit bang interface modes are available. USB to serial designs using the FT232R have been further simplified by fully integrating the external EEPROM, clock circuit and USB resistors onto the device.*

*The FT232R adds two new functions compared with its predecessors, effectively making it a "3-in-1" chip for some application areas. The internally generated clock (6MHz, 12MHz, 24MHz, and 48MHz) can be brought out of the device and used to drive a microcontroller or external logic. A unique number (the FTDIChip-ID™) is burnt into the device during manufacture and is readable over USB, thus forming the basis of a security dongle which can be used to protect customer application software from being copied.*

*The FT232R is available in Pb-free (RoHS compliant) compact 28-Lead SSOP and QFN-32 packages.*

# 1. Features

## 1.1 Hardware Features

- Single chip USB to asynchronous serial data transfer interface.
- Entire USB protocol handled on the chip - No USB-specific firmware programming required.
- UART interface support for 7 or 8 data bits, 1 or 2 stop bits and odd / even / mark / space / no parity.
- Fully assisted hardware or X-On / X-Off software handshaking.
- Data transfer rates from 300 baud to 3 Megabaud (RS422 / RS485 and at TTL levels) and 300 baud to 1 Megabaud (RS232).
- In-built support for event characters and line break condition.
- New USB FTDIChip-ID™ feature.
- New configurable CBUS I/O pins.
- Auto transmit buffer control for RS485 applications.
- Transmit and receive LED drive signals.
- New 48MHz, 24MHz, 12MHz, and 6MHz clock output signal Options for driving external MCU or FPGA.
- FIFO receive and transmit buffers for high data throughput.
- Adjustable receive buffer timeout.
- Synchronous and asynchronous bit bang mode interface options with RD# and WR# strobes.
- New CBUS bit bang mode option.
- Integrated 1024 Byte internal EEPROM for I/O configuration and storing USB VID, PID, serial number and product description strings.
- Device supplied preprogrammed with unique USB serial number.
- Support for USB suspend / resume.
- Support for bus powered, self powered, and high-power bus powered USB configurations.
- Integrated 3.3V level converter for USB I/O .
- Integrated level converter on UART and CBUS for interfacing to 5V - 1.8V Logic.
- True 5V / 3.3V / 2.8V / 1.8V CMOS drive output and TTL input.
- High I/O pin output drive option.
- Integrated USB resistors.
- Integrated power-on-reset circuit.
- Fully integrated clock - no external crystal, oscillator, or resonator required.
- Fully integrated AVCC supply filtering - No separate AVCC pin and no external R-C filter required.
- UART signal inversion option.
- USB bulk transfer mode.
- 3.3V to 5.25V Single Supply Operation.
- Low operating and USB suspend current.
- Low USB bandwidth consumption.
- UHCI / OHCI / EHCI host controller compatible
- USB 2.0 Full Speed compatible .
- Available in compact Pb-free 28 Pin SSOP and QFN-32 packages (both RoHS compliant).

## 1.2 Driver Support

### Royalty-Free VIRTUAL COM PORT (VCP) DRIVERS for...

- Windows 98, 98SE, ME, 2000, Server 2003, XP.
- Windows Vista / Longhorn\*
- Windows XP 64-bit.\*
- Windows XP Embedded.
- Windows CE.NET 4.2 & 5.0
- MAC OS 8 / 9, OS-X
- Linux 2.4 and greater

### Royalty-Free D2XX Direct Drivers (USB Drivers + DLL S/W Interface)

- Windows 98, 98SE, ME, 2000, Server 2003, XP.
- Windows Vista / Longhorn\*
- Windows XP 64-bit.\*
- Windows XP Embedded.
- Windows CE.NET 4.2 & 5.0
- Linux 2.4 and greater

The drivers listed above are all available to download for free from the FTDI website. Various 3rd Party Drivers are also available for various other operating systems - see the [FTDI website](#) for details.

\* Currently Under Development. Contact FTDI for availability.

## 1.3 Typical Applications

- USB to RS232 / RS422 / RS485 Converters
- Upgrading Legacy Peripherals to USB
- Cellular and Cordless Phone USB data transfer cables and interfaces
- Interfacing MCU / PLD / FPGA based designs to USB
- USB Audio and Low Bandwidth Video data transfer
- PDA to USB data transfer
- USB Smart Card Readers
- USB Instrumentation
- USB Industrial Control
- USB MP3 Player Interface
- USB FLASH Card Reader / Writers
- Set Top Box PC - USB interface
- USB Digital Camera Interface
- USB Hardware Modems
- USB Wireless Modems
- USB Bar Code Readers
- USB Software / Hardware Encryption Dongles

## 2. Enhancements

### 2.1 Device Enhancements and Key Features

This section summarises the enhancements and the key features of the FT232R device. For further details, consult the device pin-out description and functional description sections.

**Integrated Clock Circuit** - Previous generations of FTDI's USB UART devices required an external crystal or ceramic resonator. The clock circuit has now been integrated onto the device meaning that no crystal or ceramic resonator is required. However, if required, an external 12MHz crystal can be used as the clock source.

**Integrated EEPROM** - Previous generations of FTDI's USB UART devices required an external EEPROM if the device were to use USB Vendor ID (VID), Product ID (PID), serial number and product description strings other than the default values in the device itself. This external EEPROM has now been integrated onto the FT232R chip meaning that all designs have the option to change the product description strings. A user area of the internal EEPROM is available for storing additional data. The internal EEPROM is programmable in circuit, over USB without any additional voltage requirement.

**Preprogrammed EEPROM** - The FT232R is supplied with its internal EEPROM preprogrammed with a serial number which is unique to each individual device. This, in most cases, will remove the need to program the device EEPROM.

**Integrated USB Resistors** - Previous generations of FTDI's USB UART devices required two external series resistors on the USBDP and USBDM lines, and a 1.5 K $\Omega$  pull up resistor on USBDP. These three resistors have now been integrated onto the device.

**Integrated AVCC Filtering** - Previous generations of FTDI's USB UART devices had a separate AVCC pin - the supply to the internal PLL. This pin required an external R-C filter. The separate AVCC pin is now connected internally to VCC, and the filter has now been integrated onto the chip.

**Less External Components** - Integration of the crystal, EEPROM, USB resistors, and AVCC filter will substantially reduce the bill of materials cost for USB interface designs using the FT232R compared to its FT232BM predecessor.

**Configurable CBUS I/O Pin Options** - There are now 5 configurable Control Bus (CBUS) lines. Options are **TXDEN** - transmit enable for RS485 designs, **PWREN#** - Power control for high power, bus powered designs, **TXLED#** - for pulsing an LED upon transmission of data, **RXLED#** - for pulsing an LED upon receiving data, **TX&RXLED#** - which will pulse an LED upon transmission OR reception of data, **SLEEP#** - indicates the device going into USB suspend mode, **CLK48 / CLK24 / CLK12 / CLK6** - 48MHz, 24MHz, 12MHz, and 6MHz clock output signal options. There are also bit bang options (see below). The CBUS lines can be configured with any one of these output options by setting bits in the internal EEPROM. The device is supplied with the most commonly used pin definitions preprogrammed - see [Section 10](#) for details.

**Enhanced Asynchronous Bit Bang Mode with RD# and WR# Strokes** - The FT232R supports FTDI's BM chip bit bang mode. In bit bang mode, the eight UART lines can be switched from the regular interface mode to an 8-bit Parallel I/O port. Data packets can be sent to the device and they will be sequentially sent to the interface at a rate controlled by an internal timer (equivalent to the baud rate prescaler). With the FT232R device this mode has been enhanced so that the internal RD# and WR# strobes are now brought out of the device which can be used to allow external logic to be clocked by accesses to the bit bang I/O bus. This option will be described more fully in a separate application note

**Synchronous Bit Bang Mode** - Synchronous bit bang mode differs from asynchronous bit bang mode in that the interface pins are only read when the device is written to. Thus making it easier for the controlling program to measure the response to an output stimulus as the data returned is synchronous to the output data. The feature was previously seen in FTDI's FT2232C device. This option will be described more fully in a separate application note.

**CBUS Bit Bang Mode** - This mode allows four of the CBUS pins to be individually configured as GPIO pins, similar to Asynchronous bit bang mode. This mode is available while the UART interface is being used, thus providing up to four general purpose I/O pins which are available during normal operation. An application note describing this feature is available separately from the [FTDI website](#).

**Lower Supply Voltage** - Previous generations of the chip required 5V supply on the VCC pin. The FT232R will work with a Vcc supply in the range 3.3V - 5V. Bus powered designs would still take their supply from the 5V on the USB bus, but for self powered designs where only 3.3V is available and there is no 5V supply there is no longer any need for an additional external regulator.

**Integrated Level Converter on UART Interface and Control Signals** - VCCIO pin supply can be from 1.8V to 5V. Connecting the VCCIO pin to 1.8V, 2.8V, or 3.3V allows the device to directly interface to 1.8V, 2.8V or 3.3V and other logic families without the need for external level converter I.C.s

**5V / 3.3V / 2.8V / 1.8V Logic Interface** - The FT232R provides *true* CMOS Drive Outputs and TTL level Inputs.

**Integrated Power-On-Reset (POR) Circuit**- The device incorporates an internal POR function. A RESET# pin is available in order to allow external logic to reset the FT232R where required. However, for many applications the RESET# pin can be left unconnected, or pulled up to VCC.

**Lower Operating and Suspend Current** - The device operating supply current has been further reduced to 15mA, and the suspend current has been reduced to around 70µA.

**Low USB Bandwidth Consumption** - The operation of the USB interface to the FT232R has been designed to use as little as possible of the total USB bandwidth available from the USB host controller.

**High Output Drive Option** - The UART interface and CBUS I/O pins can be made to drive out at three times the standard signal drive level thus allowing multiple devices to be driven, or devices that require a greater signal drive strength to be interfaced to the FT232R. This option is configured in the internal EEPROM.

**Power Management Control for USB Bus Powered, High Current Designs**- The PWREN# signal can be used to directly drive a transistor or P-Channel MOSFET in applications where power switching of external circuitry is required. An option in the internal EEPROM makes the device gently pull down on its UART interface lines when the power is shut off (PWREN# is high). In this mode any residual voltage on external circuitry is bled to GND when power is removed, thus ensuring that external circuitry controlled by PWREN# resets reliably when power is restored.

**UART Pin Signal Inversion** - Each of the UART signals can be individually inverted by setting an option in the internal EEPROM.

**FTDIDChip-ID™** - Each FT232R is assigned a unique number which is burnt into the device at manufacture. This ID number cannot be reprogrammed by product manufacturers or end-users. This allows the possibility of using FT232R based dongles for software licensing. Further to this, a renewable license scheme can be implemented based on the FTDIDChip-ID™ number when encrypted with other information. This encrypted number can be stored in the user area of the FT232R internal EEPROM, and can be decrypted, then compared with the protected FTDIDChip-ID™ to verify that a license is valid. Web based applications can be used to maintain product licensing this way. An application note describing this feature is available separately from the [FTDI website](#).

**Improved EMI Performance** - The reduced operating current and improved on-chip VCC decoupling significantly improves the ease of PCB design requirements in order to meet FCC, CE and other EMI related specifications.

**Programmable Receive Buffer Timeout** - The receive buffer timeout is used to flush remaining data from the receive buffer. This time defaults to 16ms, but is programmable over USB in 1ms increments from 1ms to 255ms, thus allowing the device to be optimised for protocols that require fast response times from short data packets.

**New Package Options** - The FT232R is available in two packages - a compact 28 pin SSOP ( **FT232RL**) and an ultra-compact 5mm x 5mm pinless QFN-32 package ( **FT232RQ**). Both packages are lead ( Pb ) free, and use a 'green' compound. Both packages are fully compliant with European Union directive 2002/95/EC.

## 3. Block Diagram

### 3.1 Block Diagram (Simplified)

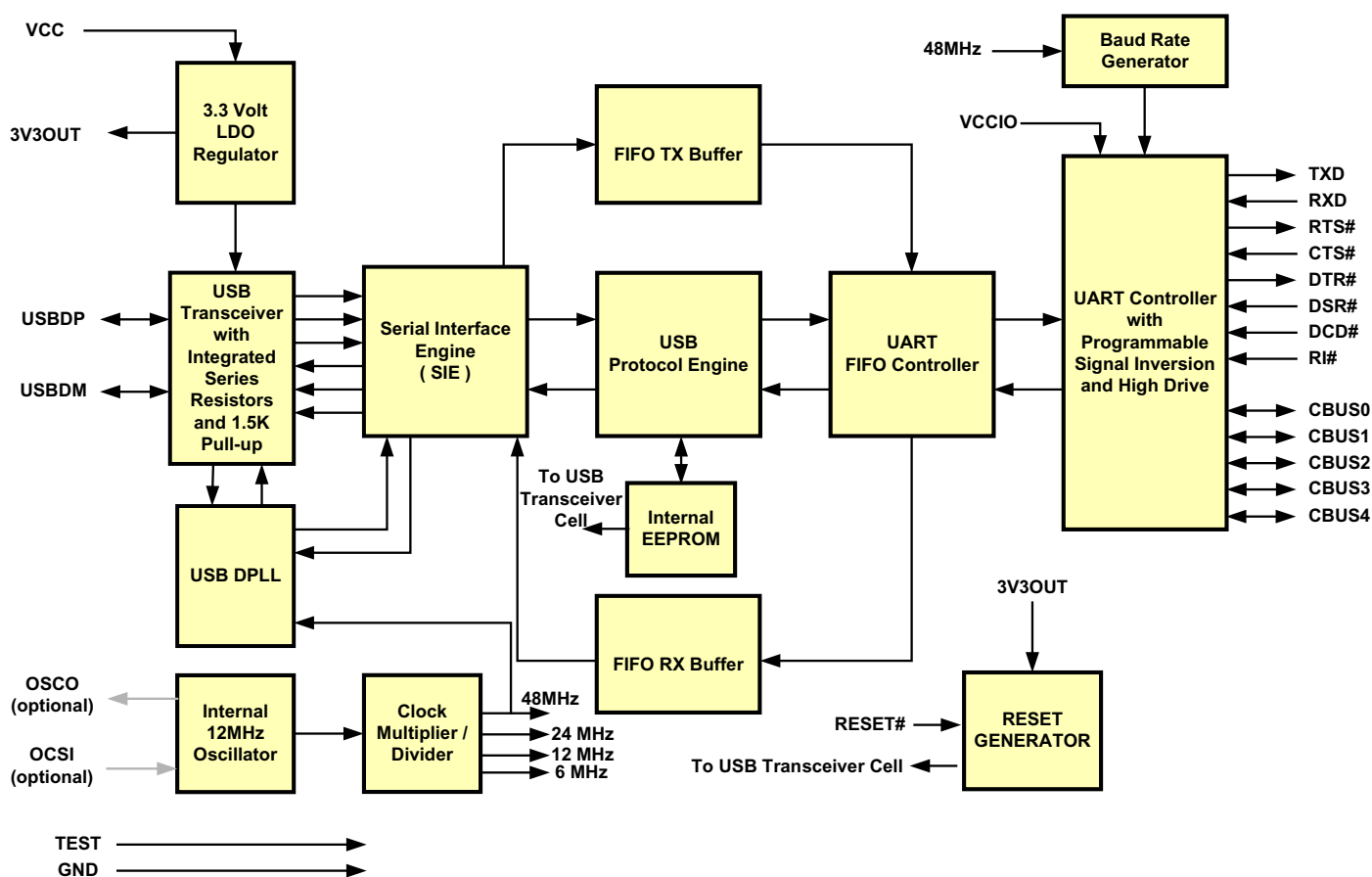


Figure 1 - FT232R Block Diagram

### 3.2 Functional Block Descriptions

**3.3V LDO Regulator** - The 3.3V LDO Regulator generates the 3.3V reference voltage for driving the USB transceiver cell output buffers. It requires an external decoupling capacitor to be attached to the 3V3OUT regulator output pin. It also provides 3.3V power to the 1.5K $\Omega$  internal pull up resistor on USBDP. The main function of this block is to power the USB Transceiver and the Reset Generator Cells rather than to power external logic. However, external circuitry requiring 3.3V nominal at a current of not greater than 50mA could also draw its power from the 3V3OUT pin if required.

**USB Transceiver** - The USB Transceiver Cell provides the USB 1.1 / USB 2.0 full-speed physical interface to the USB cable. The output drivers provide 3.3 volt level slew rate control signalling, whilst a differential receiver and two single ended receivers provide USB data in, SEO and USB Reset condition detection. This Cell also incorporates internal USB series resistors on the USB data lines, and a 1.5K $\Omega$  pull up resistor on USBDP.

**USB DPLL** - The USB DPLL cell locks on to the incoming NRZI USB data and provides separate recovered clock and data signals to the SIE block.

**Internal 12MHz Oscillator** - The Internal 12MHz Oscillator cell generates a 12MHz reference clock input to the x4 Clock multiplier. The 12MHz Oscillator is also used as the reference clock for the SIE, USB Protocol Engine and UART FIFO controller blocks

**Clock Multiplier / Divider** - The Clock Multiplier / Divider takes the 12MHz input from the Oscillator Cell and generates the 48MHz, 24MHz, 12MHz, and 6MHz reference clock signals. The 48MHz clock reference is used for the USB DPLL and the Baud Rate Generator blocks.

**Serial Interface Engine (SIE)** - The Serial Interface Engine (SIE) block performs the Parallel to Serial and Serial to Parallel conversion of the USB data. In accordance to the USB 2.0 specification, it performs bit stuffing / un-stuffing and CRC5 / CRC16 generation / checking on the USB data stream.

**USB Protocol Engine** - The USB Protocol Engine manages the data stream from the device USB control endpoint. It handles the low level USB protocol (Chapter 9) requests generated by the USB host controller and the commands for controlling the functional parameters of the UART.

**FIFO TX Buffer** - Data from the USB data out endpoint is stored in the Dual Port TX buffer and removed from the buffer to the UART transmit register under control of the UART FIFO controller.

**FIFO RX Buffer** - Data from the UART receive register is stored in the Dual Port RX buffer prior to being removed by the SIE on a USB request for data from the device data in endpoint.

**UART FIFO Controller** - The UART FIFO controller handles the transfer of data between the Dual Port RX and TX buffers and the UART transmit and receive registers.

**UART Controller with Programmable Signal Inversion and High Drive** - The UART controllers handle the transfer of data between the Dual Port RX and TX buffers and the UART transmit and receive registers. It performs asynchronous 7 / 8 bit Parallel to Serial and Serial to Parallel conversion of the data on the RS232 (RS422 and RS485) interface. Control signals supported by UART mode include RTS, CTS, DSR, DTR, DCD and RI. There is also a transmitter enable control signal pin option (TXDEN) provided to assist with interfacing to RS485 transceivers. RTS/CTS, DSR/DTR and X-On / X-Off handshaking options are also supported. Handshaking, where required, is handled in hardware to ensure fast response times. The UART also supports the RS232 BREAK setting and detection conditions. A new feature, programmable in the internal EEPROM allows the UART signals to each be individually inverted. Another new EEPROM programmable feature allows the high signal signal drive strength on the UART and CBUS.

**Baud Rate Generator** - The Baud Rate Generator provides a x16 clock input to the UARTs from the 48MHz reference clock and consists of a 14 bit prescaler and 3 register bits which provide fine tuning of the baud rate (used to divide by a number plus a fraction). This determines the Baud Rate of the UART which is programmable from 183 baud to 3 million baud.

The FT232R supports all standard baud rates and non-standard baud rates from 300 Baud up to 3 Megabaud. Achievable non-standard baud rates are calculated as follows -

$$\text{Baud Rate} = 3000000 / (n + x)$$

where n can be any integer between 2 and 16,384 ( $= 2^{14}$ ) and x can be a sub-integer of the value 0, 0.125, 0.25, 0.375, 0.5, 0.625, 0.75, or 0.875. When n = 1, x = 0, i.e. baud rate divisors with values between 1 and 2 are not possible.

This gives achievable baud rates in the range 183.1 baud to 3,000,000 baud. When a non-standard baud rate is required simply pass the required baud rate value to the driver as normal, and the FTDI driver will calculate the required divisor, and set the baud rate. See FTDI application note AN232B-05 for more details.

**RESET Generator** - The Reset Generator Cell provides a reliable power-on reset to the device internal circuitry on power up. An additional RESET# input is provided to allow other devices to reset the FT232R. RESET# can be tied to VCC or left unconnected unless it is a requirement to reset the device from external logic or an external reset generator I.C.

**Internal EEPROM** - The internal EEPROM in the FT232R can be used to store USB Vendor ID (VID), Product ID (PID), device serial number, product description string, and various other USB configuration descriptors. The device is supplied with the internal EEPROM settings preprogrammed as described in [Section 10](#).



## 4. Device Pin Out and Signal Descriptions

### 4.1 28-LD SSOP Package

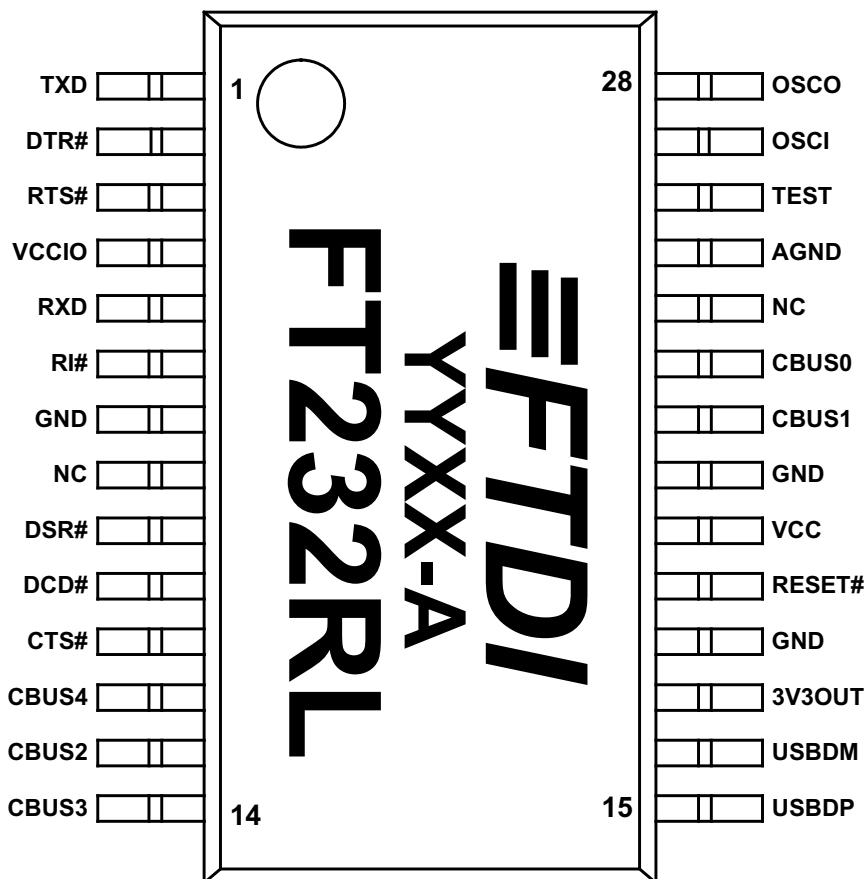


Figure 2 - 28 Pin SSOP Package Pin Out

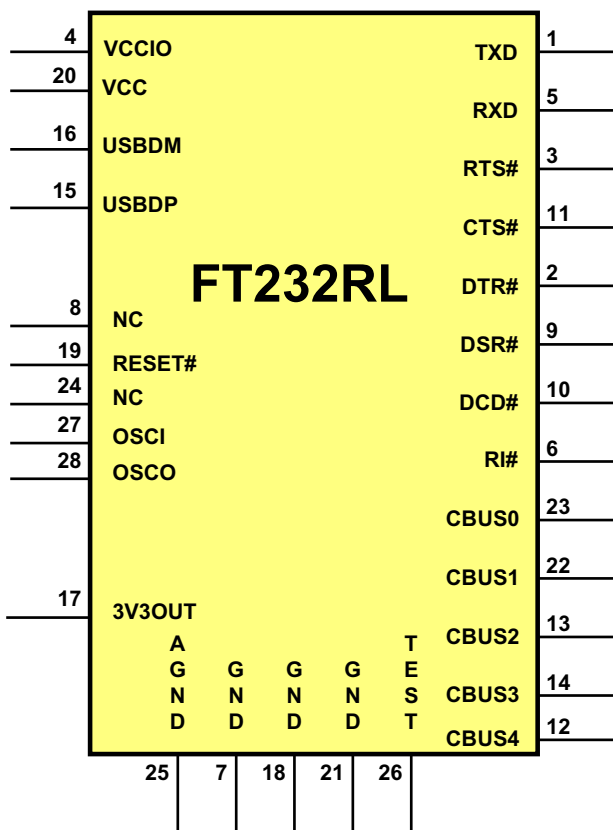


Figure 3 - 28 Pin SSOP Package Pin Out (Schematic Symbol)



## 4.2 SSOP-28 Package Signal Descriptions

Table 1 - SSOP Package Pin Out Description

| Pin No.                           | Name   | Type   | Description  |
|-----------------------------------|--------|--------|--|
| <b>USB Interface Group</b>        |        |        |  |
| 15                                | USBDP  | I/O    | USB Data Signal Plus, incorporating internal series resistor and 1.5K pull up resistor to 3.3V   |
| 16                                | USBDM  | I/O    | USB Data Signal Minus, incorporating internal series resistor.   |
| <b>Power and Ground Group</b>     |        |        |  |
| 4                                 | VCCIO  | PWR    | +1.8V to +5.25V supply to I/O Interface group pins (1...3, 5, 6, 9...14, 22, 23). In USB bus powered designs connect to 3V3OUT to drive out at 3.3V levels, or connect to VCC to drive out at 5V CMOS level. This pin can also be supplied with an external 1.8V - 2.8V supply in order to drive out at lower levels. It should be noted that in this case this supply should originate from the same source as the supply to Vcc. This means that in bus powered designs a regulator which is supplied by the 5V on the USB bus should be used. |
| 7, 18, 21                         | GND    | PWR    | Device ground supply pins  |
| 17                                | 3V3OUT | Output | 3.3 Volt output from integrated L.D.O. regulator. This pin should be decoupled to ground using a 100nF capacitor. The prime purpose of this pin is to provide the internal 3.3V supply to the USB transceiver cell and the internal 1.5KΩ pull up resistor on USBDP. Up to 50mA can be drawn from this pin to power external logic if required. This pin can also be used to supply the FT232R's VCCIO pin.  |
| 20                                | VCC    | PWR    | 3.3V to 5.25V supply to the device core.   |
| 25                                | AGND   | PWR    | Device analog ground supply for internal clock multiplier  |
| <b>Miscellaneous Signal Group</b> |        |        |  |
| 8, 24                             | NC     | NC     | No internal connection.  |
| 19                                | RESET# | Input  | Can be used by an external device to reset the FT232R. If not required can be left unconnected or pulled up to Vcc.  |
| 26                                | TEST   | Input  | Puts the device into I.C. test mode. Must be grounded for normal operation.  |
| 27                                | OSCI   | Input  | Input to 12MHz Oscillator Cell. Optional - Can be left unconnected for normal operation.   |
| 28                                | OSCO   | Output | Output from 12MHz Oscillator Cell. Optional - Can be left unconnected for normal operation if internal oscillator is used.   |

| <b>I/O Interface Group Pin Definitions*</b> |       |        |   |
|---|-------|--------|---|
| Pin No.                                     | Name  | Type   | Description   |
| 1   | TXD   | Output | Transmit Asynchronous Data Output   |
| 2   | DTR#  | Output | Data Terminal Ready Control Output / Handshake signal   |
| 3   | RTS#  | Output | Request To Send Control Output / Handshake signal   |
| 5   | RXD   | Input  | Receive Asynchronous Data Input   |
| 6   | RI#   | Input  | Ring Indicator Control Input. When remote wake up is enabled in the internal EEPROM taking RI# low can be used to resume the PC USB host controller from suspend.                   |
| 9   | DSR#  | Input  | Data Set Ready Control Input / Handshake signal.  |
| 10  | DCD#  | Input  | Data Carrier Detect Control input   |
| 11  | CTS#  | Input  | Clear to Send Control input / Handshake signal  |
| 12  | CBUS4 | I/O    | Configurable CBUS I/O Pin. Function of this pin is configured in the device internal EEPROM. Factory Default function is SLEEP#. See CBUS Signal Options, <a href="#">Table 3</a> . |
| 13  | CBUS2 | I/O    | Configurable CBUS I/O Pin. Function of this pin is configured in the device internal EEPROM. Factory Default function is TXDEN. See CBUS Signal Options, <a href="#">Table 3</a> .  |
| 14  | CBUS3 | I/O    | Configurable CBUS I/O Pin. Function of this pin is configured in the device internal EEPROM. Factory Default function is PWREN#. See CBUS Signal Options, <a href="#">Table 3</a> . |
| 22  | CBUS1 | I/O    | Configurable CBUS I/O Pin. Function of this pin is configured in the device internal EEPROM. Factory Default function is RXLED#. See CBUS Signal Options, <a href="#">Table 3</a> . |
| 23  | CBUS0 | I/O    | Configurable CBUS I/O Pin. Function of this pin is configured in the device internal EEPROM. Factory Default function is TXLED#. See CBUS Signal Options, <a href="#">Table 3</a> . |

\* When used in Input Mode, these pins are pulled to VCCIO via internal 200K resistors. These can be programmed to gently pull low during USB suspend ( PWREN# = "1" ) by setting this option in the internal EEPROM.

### 4.3 QFN-32 Package

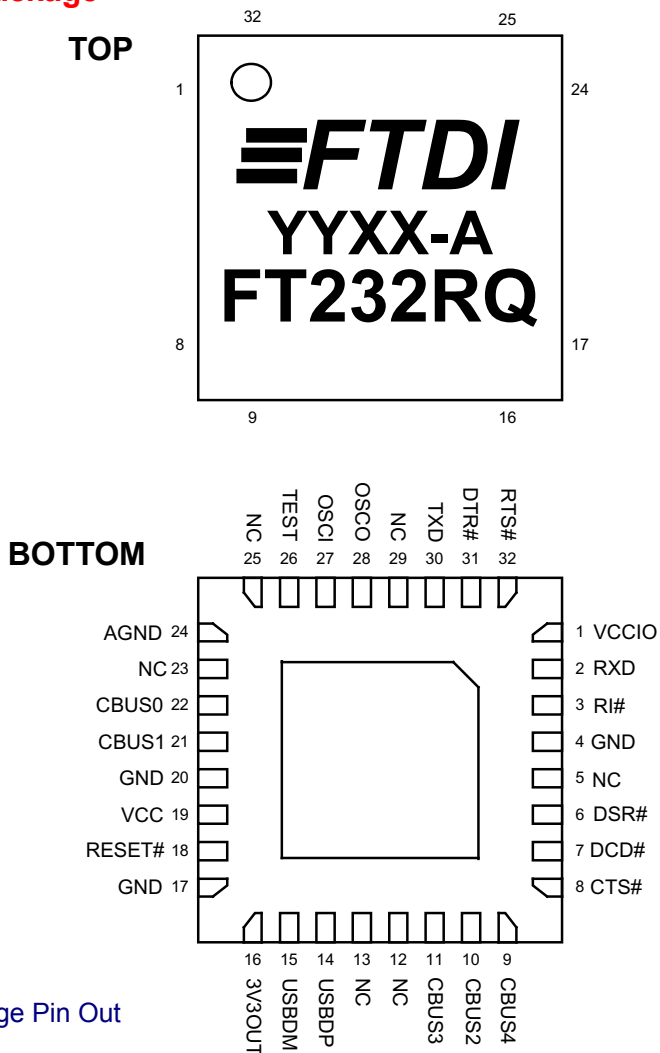


Figure 4 - QFN-32 Package Pin Out

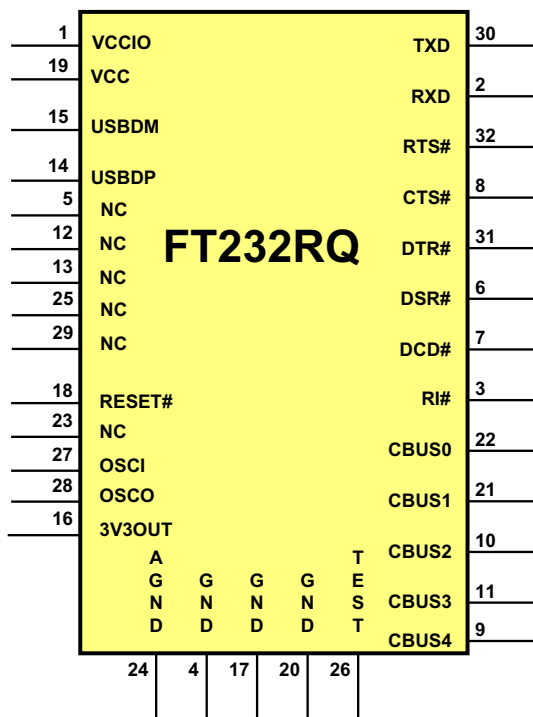


Figure 5 - QFN-32 Package Pin Out (Schematic Symbol)

## 4.4 QFN-32 Package Signal Descriptions

Table 2 - QFN Package Pin Out Description

| Pin No.                           | Name   | Type   | Description  |
|-----------------------------------|--------|--------|--|
| <b>USB Interface Group</b>        |        |        |  |
| 14                                | USBDP  | I/O    | USB Data Signal Plus, incorporating internal series resistor and 1.5K pull up resistor to 3.3V   |
| 15                                | USBDM  | I/O    | USB Data Signal Minus, incorporating internal series resistor.   |
| <b>Power and Ground Group</b>     |        |        |  |
| 1                                 | VCCIO  | PWR    | +1.8V to +5.25V supply to I/O Interface group pins (2,3, 6, ...,11, 21, 22, 30,..32). In USB bus powered designs connect to 3V3OUT to drive out at 3.3V levels, or connect to VCC to drive out at 5V CMOS level. This pin can also be supplied with an external 1.8V - 2.8V supply in order to drive out at lower levels. It should be noted that in this case this supply should originate from the same source as the supply to Vcc. This means that in bus powered designs a regulator which is supplied by the 5V on the USB bus should be used. |
| 4, 17, 20                         | GND    | PWR    | Device ground supply pins  |
| 16                                | 3V3OUT | Output | 3.3 Volt output from integrated L.D.O. regulator. This pin should be decoupled to ground using a 100nF capacitor. The prime purpose of this pin is to provide the internal 3.3V supply to the USB transceiver cell and the internal 1.5K pull up resistor on USBDP. Up to 50mA can be drawn from this pin to power external logic if required. This pin can also be used to supply the FT232R's VCCIO pin.   |
| 19                                | VCC    | PWR    | 3.3V to 5.25V supply to the device core.   |
| 24                                | AGND   | PWR    | Device analog ground supply for internal clock multiplier  |
| <b>Miscellaneous Signal Group</b> |        |        |  |
| 5, 12, 13, 23, 25, 29             | NC     | NC     | No internal connection.  |
| 18                                | RESET# | Input  | Can be used by an external device to reset the FT232R. If not required can be left unconnected or pulled up to Vcc.  |
| 26                                | TEST   | Input  | Puts the device into I.C. test mode. Must be grounded for normal operation.  |
| 27                                | OSCI   | Input  | Input to 12MHz Oscillator Cell. Optional - Can be left unconnected for normal operation.   |
| 28                                | OSCO   | Output | Output from 12MHz Oscillator Cell. Optional - Can be left unconnected for normal operation if internal oscillator is used.   |

| <b>I/O Interface Group Pin Definitions*</b> |       |        |   |
|---|-------|--------|---|
| Pin No.                                     | Name  | Type   | Description   |
| 30  | TXD   | Output | Transmit Asynchronous Data Output   |
| 31  | DTR#  | Output | Data Terminal Ready Control Output / Handshake signal   |
| 32  | RTS#  | Output | Request To Send Control Output / Handshake signal   |
| 2   | RXD   | Input  | Receive Asynchronous Data Input   |
| 3   | RI#   | Input  | Ring Indicator Control Input. When remote wake up is enabled in the internal EEPROM taking RI# low can be used to resume the PC USB host controller from suspend.                   |
| 6   | DSR#  | Input  | Data Set Ready Control Input / Handshake signal.  |
| 7   | DCD#  | Input  | Data Carrier Detect Control input   |
| 8   | CTS#  | Input  | Clear to Send Control input / Handshake signal  |
| 9   | CBUS4 | I/O    | Configurable CBUS I/O Pin. Function of this pin is configured in the device internal EEPROM. Factory Default function is SLEEP#. See CBUS Signal Options, <a href="#">Table 3</a> . |
| 10  | CBUS2 | I/O    | Configurable CBUS I/O Pin. Function of this pin is configured in the device internal EEPROM. Factory Default function is TXDEN. See CBUS Signal Options, <a href="#">Table 3</a> .  |
| 11  | CBUS3 | I/O    | Configurable CBUS I/O Pin. Function of this pin is configured in the device internal EEPROM. Factory Default function is PWREN#. See CBUS Signal Options, <a href="#">Table 3</a> . |
| 21  | CBUS1 | I/O    | Configurable CBUS I/O Pin. Function of this pin is configured in the device internal EEPROM. Factory Default function is RXLED#. See CBUS Signal Options, <a href="#">Table 3</a> . |
| 22  | CBUS0 | I/O    | Configurable CBUS I/O Pin. Function of this pin is configured in the device internal EEPROM. Factory Default function is TXLED#. See CBUS Signal Options, <a href="#">Table 3</a> . |

\* When used in Input Mode, these pins are pulled to VCCIO via internal 200K resistors. These can be programmed to gently pull low during USB suspend ( PWREN# = "1" ) by setting this option in the internal EEPROM.

## 4.5 CBUS Signal Options

The following options can be configured on the CBUS I/O pins. CBUS signal options are common to both package versions of the FT232R. These options are all configured in the internal EEPROM using the utility software MPROG, which can be downloaded from the [FTDI website](#). The default configuration is described in [Section 10](#).

Table 3 - CBUS Signal Options

| <b>CBUS Signal Option</b> | <b>Available On CBUS Pin...</b>   | <b>Description</b>   |
|---------------------------|-----------------------------------|--|
| TXDEN                     | CBUS0, CBUS1, CBUS2, CBUS3, CBUS4 | Enable transmit data for RS485   |
| PWREN#                    | CBUS0, CBUS1, CBUS2, CBUS3, CBUS4 | Goes low after the device is configured by USB, then high during USB suspend. Can be used to control power to external logic P-Channel logic level MOSFET switch. Enable the interface pull-down option when using the PWREN# pin in this way.           |
| TXLED#                    | CBUS0, CBUS1, CBUS2, CBUS3, CBUS4 | Transmit data LED drive - pulses low when transmitting data via USB. See <a href="#">Section 9</a> for more details.   |
| RXLED#                    | CBUS0, CBUS1, CBUS2, CBUS3, CBUS4 | Receive data LED drive - pulses low when receiving data via USB. See <a href="#">Section 9</a> for more details.   |
| TX&RXLED#                 | CBUS0, CBUS1, CBUS2, CBUS3, CBUS4 | LED drive - pulses low when transmitting or receiving data via USB. See <a href="#">Section 9</a> for more details.  |
| SLEEP#                    | CBUS0, CBUS1, CBUS2, CBUS3, CBUS4 | Goes low during USB suspend mode. Typically used to power down an external TTL to RS232 level converter I.C. in USB to RS232 converter designs.  |
| CLK48                     | CBUS0, CBUS1, CBUS2, CBUS3, CBUS4 | 48MHz Clock output.  |
| CLK24                     | CBUS0, CBUS1, CBUS2, CBUS3, CBUS4 | 24MHz Clock output.  |
| CLK12                     | CBUS0, CBUS1, CBUS2, CBUS3, CBUS4 | 12MHz Clock output.  |
| CLK6                      | CBUS0, CBUS1, CBUS2, CBUS3, CBUS4 | 6MHz Clock output.   |
| CBitBangI/O               | CBUS0, CBUS1, CBUS2, CBUS3        | CBUS bit bang mode option. Allows up to 4 of the CBUS pins to be used as general purpose I/O. Configured individually for CBUS0 to CBUS3 in the internal EEPROM. A separate application note will describe in more detail how to use CBUS bit bang mode. |
| BitBangWRn                | CBUS0, CBUS1, CBUS2, CBUS3        | Bit bang mode WR# Strobe Output  |
| BitBangRDn                | CBUS0, CBUS1, CBUS2, CBUS3        | Bit bang mode RD# Strobe Output  |

## 5. Package Parameters

The FT232R is supplied in two different packages. The FT232RL is the SSOP-28 option and the FT232RQ is the QFN-32 package option.

### 5.1 SSOP-28 Package Dimensions

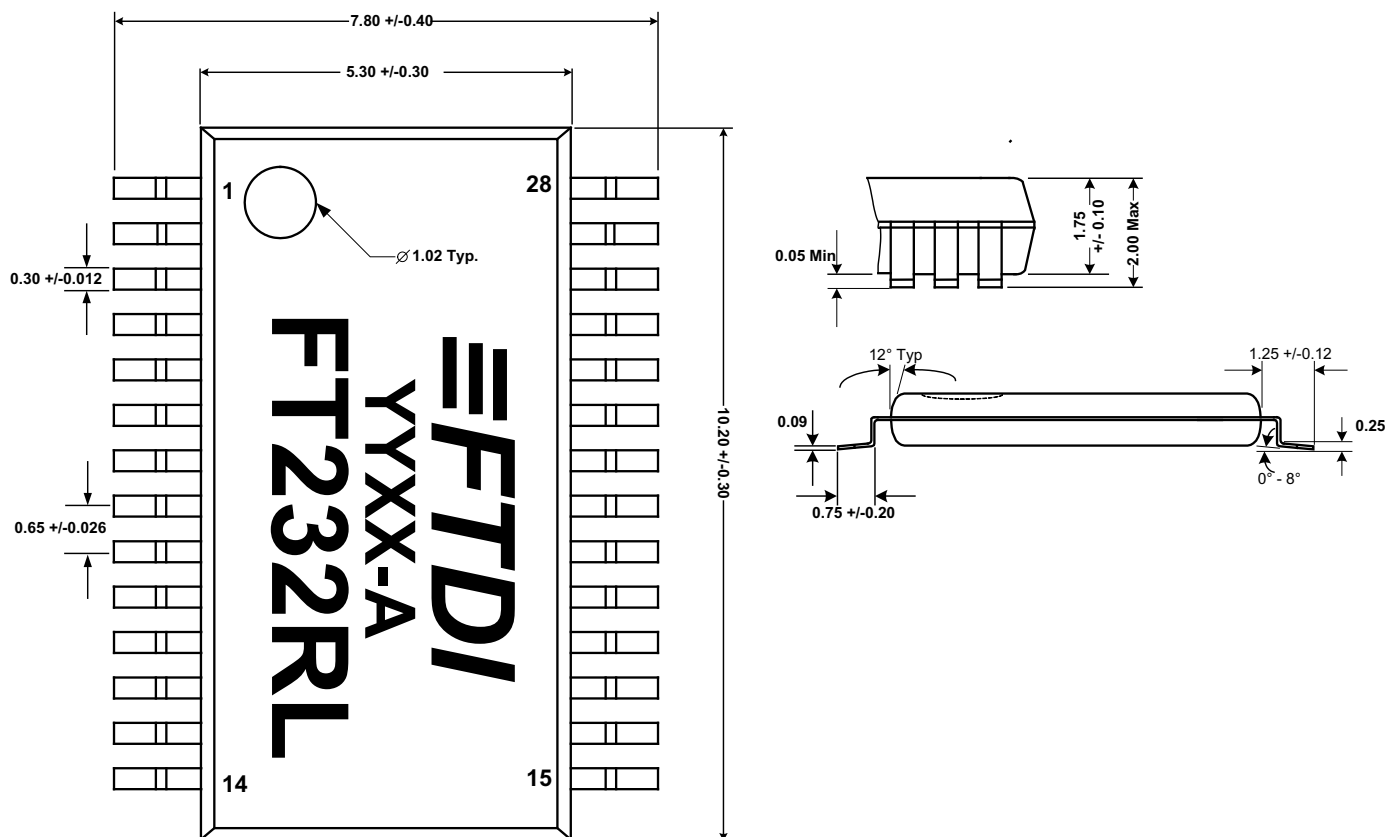


Figure 6 - SSOP-28 Package Dimensions

The FT232RL is supplied in a RoHS compliant 28 pin SSOP package. The package is lead (Pb) free and uses a 'green' compound. The package is fully compliant with European Union directive 2002/95/EC.

This package has a  $5.30\text{mm} \times 10.20\text{mm}$  body (  $7.80\text{mm} \times 10.20\text{mm}$  including pins ). The pins are on a  $0.65$  mm pitch. The above mechanical drawing shows the SSOP-28 package – all dimensions are in millimetres.

The date code format is **YYXX** where XX = 2 digit week number, YY = 2 digit year number.

## 5.2 QFN-32 Package Dimensions

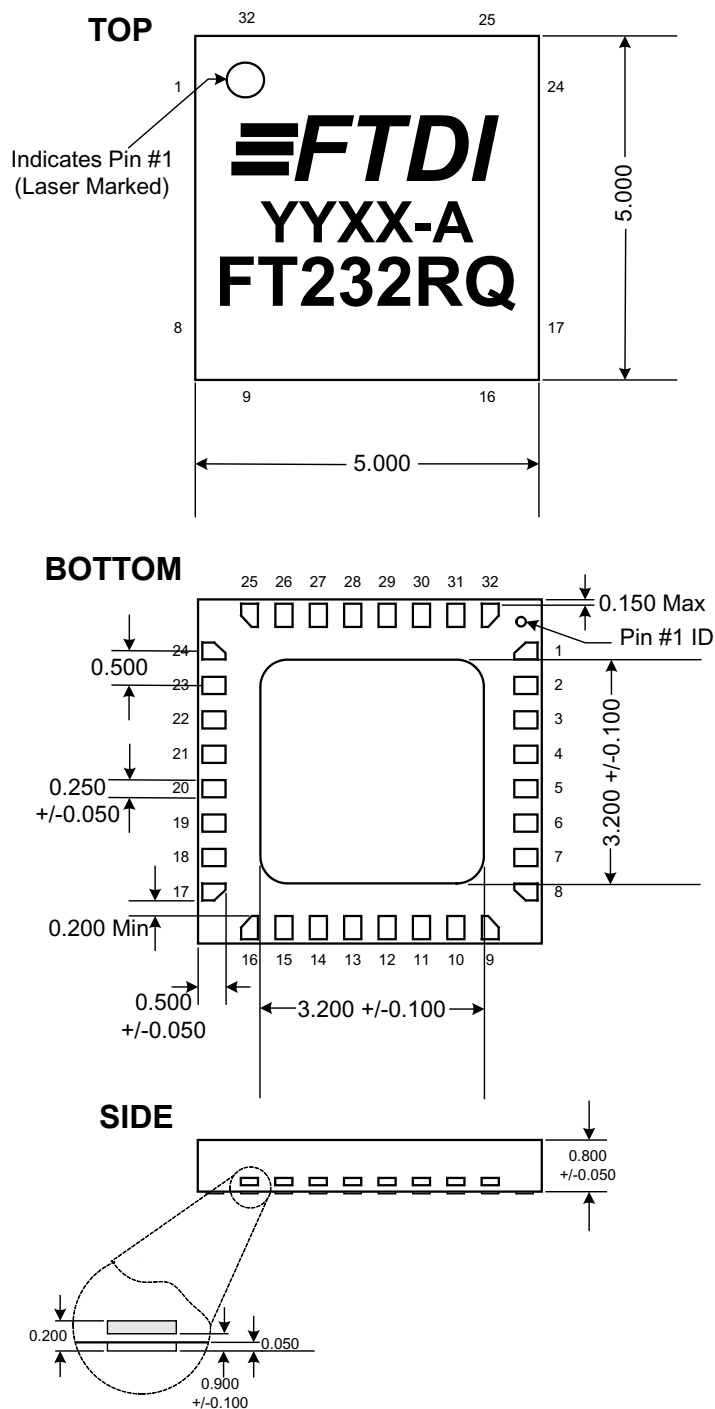


Figure 7 - QFN-32 Package Dimensions

The FT232RQ is supplied in a RoHS compliant leadless QFN-32 package. The package is lead (Pb) free, and uses a 'green' compound. The package is fully compliant with European Union directive 2002/95/EC.

This package has a compact 5.00mm x 5.00mm body. The solder pads are on a 0.50mm pitch. The above mechanical drawing shows the QFN-32 package – all dimensions are in millimetres.

The centre pad on the base of the FT232RQ is not internally connected, and can be left unconnected, or connected to ground (recommended).

The date code format is **YYXX** where XX = 2 digit week number, YY = 2 digit year number.

### 5.3 Reflow Profile

The FT232R is supplied in Pb free 28 LD SSOP and QFN-32 packages. The recommended solder reflow profile for both package options is shown in Figure 8.

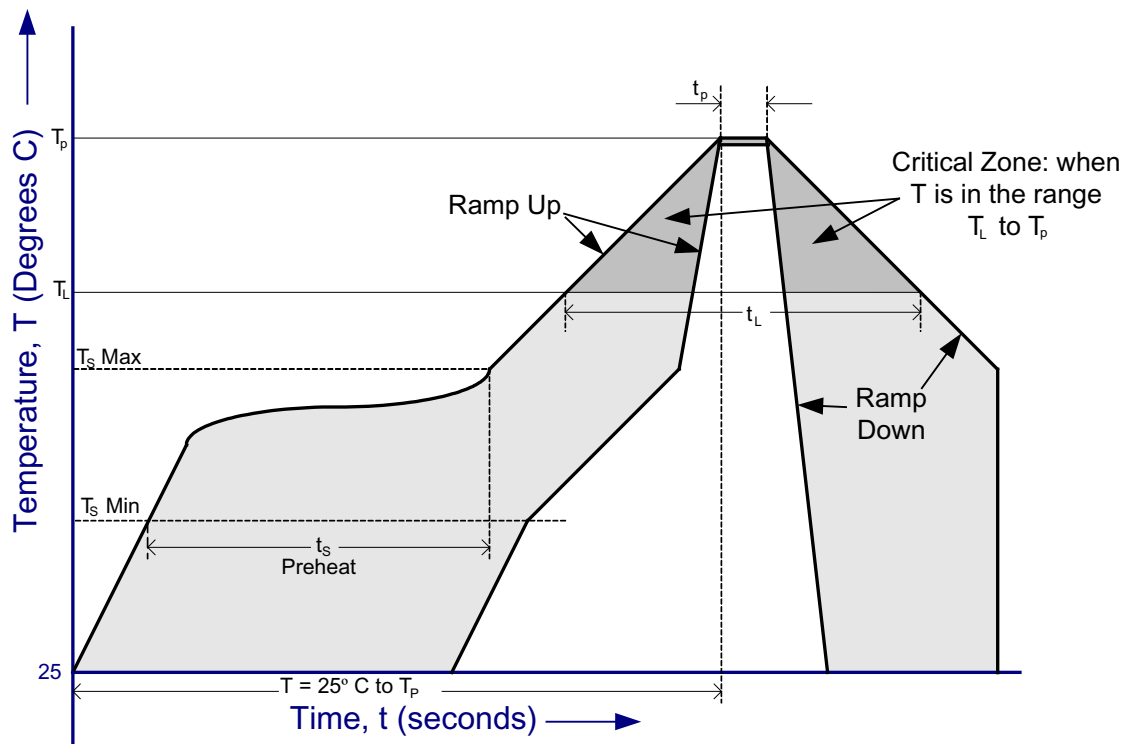


Figure 8 - FT232R Solder Reflow Profile

The recommended values for the solder reflow profile are detailed in Table 4. Values are shown for both a completely Pb free solder process (i.e. the FT232R is used with Pb free solder), and for a non-Pb free solder process (i.e. the FT232R is used with non-Pb free solder).

Table 4 - Reflow Profile Parameter Values

| Profile Feature  | Pb Free Solder Process | Non-Pb Free Solder Process |
|--|------------------------|----------------------------|
| Average Ramp Up Rate (T <sub>s</sub> to T <sub>p</sub> )         | 3°C / second Max.      | 3°C / Second Max.          |
| <b>Preheat</b>   |                        |                            |
| - Temperature Min (T <sub>s</sub> Min.)                          | 150°C                  | 100°C                      |
| - Temperature Max (T <sub>s</sub> Max.)                          | 200°C                  | 150°C                      |
| - Time (t <sub>s</sub> Min to t <sub>s</sub> Max)                | 60 to 120 seconds      | 60 to 120 seconds          |
| <b>Time Maintained Above Critical Temperature T<sub>L</sub>:</b> |                        |                            |
| - Temperature (T <sub>L</sub> )                                  | 217°C                  | 183°C                      |
| - Time (t <sub>L</sub> )   | 60 to 150 seconds      | 60 to 150 seconds          |
| Peak Temperature (T <sub>p</sub> )                               | 260°C                  | 240°C                      |
| Time within 5°C of actual Peak Temperature (t <sub>p</sub> )     | 20 to 40 seconds       | 20 to 40 seconds           |
| Ramp Down Rate   | 6°C / second Max.      | 6°C / second Max.          |
| Time for T= 25°C to Peak Temperature, T <sub>p</sub>             | 8 minutes Max.         | 6 minutes Max.             |



## 6. Device Characteristics and Ratings

### 6.1 Absolute Maximum Ratings

The absolute maximum ratings for the FT232R devices are as follows. These are in accordance with the Absolute Maximum Rating System (IEC 60134). Exceeding these may cause permanent damage to the device.

Table 5 - Absolute Maximum Ratings

| Parameter   | Value   | Unit       |
|---|---|------------|
| Storage Temperature   | -65°C to 150°C  | Degrees C  |
| Floor Life (Out of Bag) At Factory Ambient<br>( 30°C / 60% Relative Humidity) | 168 Hours<br>(IPC/JEDEC J-STD-033A MSL<br>Level 3 Compliant)* | Hours      |
| Ambient Temperature (Power Applied)   | 0°C to 70°C   | Degrees C. |
| Vcc Supply Voltage  | -0.5 to +6.00   | V          |
| D.C. Input Voltage - Inputs   | -0.5 to +(Vcc +0.5)   | V          |
| D.C. Input Voltage - High Impedance Bidirectionals                            | -0.5 to +(Vcc +0.5)   | V          |
| D.C. Output Current - Outputs   | 24  | mA         |
| DC Output Current - Low Impedance Bidirectionals                              | 24  | mA         |
| Power Dissipation (Vcc = 5.25V)   | 500   | mW         |

\* If devices are stored out of the packaging beyond this time limit the devices should be baked before use. The devices should be ramped up to a temperature of 125°C and baked for up to 17 hours.

### 6.2 DC Characteristics

DC Characteristics ( Ambient Temperature = 0 to 70°C )

Table 6 - Operating Voltage and Current

| Parameter | Description                    | Min | Typ | Max  | Units | Conditions       |
|-----------|--------------------------------|-----|-----|------|-------|------------------|
| Vcc1      | VCC Operating Supply Voltage   | 3.3 | -   | 5.25 | V     |                  |
| Vcc2      | VCCIO Operating Supply Voltage | 1.8 | -   | 5.25 | V     |                  |
| Icc1      | Operating Supply Current       | -   | 15  | -    | mA    | Normal Operation |
| Icc2      | Operating Supply Current       | 50  | 70  | 100  | µA    | USB Suspend*     |

\*Supply current excludes the 200µA nominal drawn by the external pull-up resistor on USBDP.

Table 7 - UART and CBUS I/O Pin Characteristics (VCCIO = 5.0V, Standard Drive Level)

| Parameter | Description                | Min | Typ | Max | Units | Conditions      |
|-----------|----------------------------|-----|-----|-----|-------|-----------------|
| Voh       | Output Voltage High        | 3.2 | 4.1 | 4.9 | V     | I source = 2 mA |
| Vol       | Output Voltage Low         | 0.3 | 0.4 | 0.6 | V     | I sink = 2 mA   |
| Vin       | Input Switching Threshold  | 1.3 | 1.6 | 1.9 | V     | **              |
| VHys      | Input Switching Hysteresis | 50  | 55  | 60  | mV    | **              |

Table 8 - UART and CBUS I/O Pin Characteristics (VCCIO = 3.3V, Standard Drive Level)

| Parameter | Description                | Min | Typ | Max | Units | Conditions      |
|-----------|----------------------------|-----|-----|-----|-------|-----------------|
| Voh       | Output Voltage High        | 2.2 | 2.7 | 3.2 | V     | I source = 1 mA |
| Vol       | Output Voltage Low         | 0.3 | 0.4 | 0.5 | V     | I sink = 2 mA   |
| Vin       | Input Switching Threshold  | 1.0 | 1.2 | 1.5 | V     | **              |
| VHys      | Input Switching Hysteresis | 20  | 25  | 30  | mV    | **              |

Table 9 - UART and CBUS I/O Pin Characteristics (VCCIO = 2.8V, Standard Drive Level)

| Parameter | Description                | Min | Typ | Max | Units | Conditions      |
|-----------|----------------------------|-----|-----|-----|-------|-----------------|
| Voh       | Output Voltage High        | 2.1 | 2.6 | 3.1 | V     | I source = 1 mA |
| Vol       | Output Voltage Low         | 0.3 | 0.4 | 0.5 | V     | I sink = 2 mA   |
| Vin       | Input Switching Threshold  | 1.0 | 1.2 | 1.5 | V     | **              |
| VHys      | Input Switching Hysteresis | 20  | 25  | 30  | mV    | **              |

Table 10 - UART and CBUS I/O Pin Characteristics (VCCIO = 5.0V, High Drive Level)

| Parameter | Description                | Min | Typ | Max | Units | Conditions      |
|-----------|----------------------------|-----|-----|-----|-------|-----------------|
| Voh       | Output Voltage High        | 3.2 | 4.1 | 4.9 | V     | I source = 6 mA |
| Vol       | Output Voltage Low         | 0.3 | 0.4 | 0.6 | V     | I sink = 6 mA   |
| Vin       | Input Switching Threshold  | 1.3 | 1.6 | 1.9 | V     | **              |
| VHys      | Input Switching Hysteresis | 50  | 55  | 60  | mV    | **              |

Table 11 - UART and CBUS I/O Pin Characteristics (VCCIO = 3.3V, High Drive Level)

| Parameter | Description                | Min | Typ | Max | Units | Conditions      |
|-----------|----------------------------|-----|-----|-----|-------|-----------------|
| Voh       | Output Voltage High        | 2.2 | 2.8 | 3.2 | V     | I source = 3 mA |
| Vol       | Output Voltage Low         | 0.3 | 0.4 | 0.6 | V     | I sink = 8 mA   |
| Vin       | Input Switching Threshold  | 1.0 | 1.2 | 1.5 | V     | **              |
| VHys      | Input Switching Hysteresis | 20  | 25  | 30  | mV    | **              |

Table 12 - UART and CBUS I/O Pin Characteristics (VCCIO = 2.8V, High Drive Level)

| Parameter | Description                | Min | Typ | Max | Units | Conditions      |
|-----------|----------------------------|-----|-----|-----|-------|-----------------|
| Voh       | Output Voltage High        | 2.1 | 2.8 | 3.2 | V     | I source = 3 mA |
| Vol       | Output Voltage Low         | 0.3 | 0.4 | 0.6 | V     | I sink = 8 mA   |
| Vin       | Input Switching Threshold  | 1.0 | 1.2 | 1.5 | V     | **              |
| VHys      | Input Switching Hysteresis | 20  | 25  | 30  | mV    | **              |

\*\*Inputs have an internal 200K pull-up resistor to VCCIO.

Table 13 - RESET#, TEST Pin Characteristics

| Parameter | Description                | Min | Typ | Max | Units | Conditions |
|-----------|----------------------------|-----|-----|-----|-------|------------|
| Vin       | Input Switching Threshold  | 1.3 | 1.6 | 1.9 | V     |            |
| VHys      | Input Switching Hysteresis | 50  | 55  | 60  | mV    |            |

Table 14 - USB I/O Pin (USBDP, USBDM) Characteristics

| Parameter | Description                    | Min | Typ | Max | Units | Conditions   |
|-----------|--------------------------------|-----|-----|-----|-------|--|
| UVoh      | I/O Pins Static Output ( High) | 2.8 |     | 3.6 | V     | RI = 1.5K to 3V3Out ( D+ )<br>RI = 15K to GND ( D- ) |
| UVol      | I/O Pins Static Output ( Low ) | 0   |     | 0.3 | V     | RI = 1.5K to 3V3Out ( D+ )<br>RI = 15K to GND ( D- ) |
| UVse      | Single Ended Rx Threshold      | 0.8 |     | 2.0 | V     |  |
| UCom      | Differential Common Mode       | 0.8 |     | 2.5 | V     |  |
| UVDif     | Differential Input Sensitivity | 0.2 |     |     | V     |  |
| UDrvZ     | Driver Output Impedance        | 26  | 29  | 44  | Ohms  | ***  |

\*\*\*Driver Output Impedance includes the internal USB series resistors on USBDP and USBDM pins.

### 6.3 EEPROM Reliability Characteristics

The internal 1024 Byte EEPROM has the following reliability characteristics-

Table 15 - EEPROM Characteristics

| <i>Parameter Description</i> | <i>Value</i> | <i>Unit</i> |
|------------------------------|--------------|-------------|
| Data Retention               | 15           | Years       |
| Read / Write Cycles          | 100,000      | Cycles      |

### 6.4 Internal Clock Characteristics

The internal Clock Oscillator has the following characteristics.

Table 16 - Internal Clock Characteristics

| <i>Parameter</i>       | <i>Value</i> |                |            | <i>Unit</i> |
|------------------------|--------------|----------------|------------|-------------|
|                        | <i>Min</i>   | <i>Typical</i> | <i>Max</i> |             |
| Frequency of Operation | 11.98        | 12.00          | 12.02      | MHz         |
| Clock Period           | 83.19        | 83.33          | 83.47      | ns          |
| Duty Cycle             | 45           | 50             | 55         | %           |

Table 17 - OSCI, OSCO Pin Characteristics (Optional - Only applies if external Oscillator is used\*\*\*)

| <i>Parameter</i> | <i>Description</i>        | <i>Min</i> | <i>Typ</i> | <i>Max</i> | <i>Units</i> | <i>Conditions</i> |
|------------------|---------------------------|------------|------------|------------|--------------|-------------------|
| <b>Voh</b>       | Output Voltage High       | 2.8        | -          | 3.6        | V            | Fosc = 12MHz      |
| <b>Vol</b>       | Output Voltage Low        | 0.1        | -          | 1.0        | V            | Fosc = 12MHz      |
| <b>Vin</b>       | Input Switching Threshold | 1.8        | 2.5        | 3.2        | V            |                   |

\*\*\*When supplied the device is configured to use its internal clock oscillator. Users who wish to use an external oscillator or crystal should contact FTDI technical support.

## 7. Device Configurations

Please note that pin numbers on the FT232R chip in this section have deliberately been left out as they vary between the FT232RL and FT232RQ versions of the device. All of these configurations apply to both package options for the FT232R device. Please refer to [Section 4](#) for the package option pin-out and signal descriptions.

### 7.1 Bus Powered Configuration

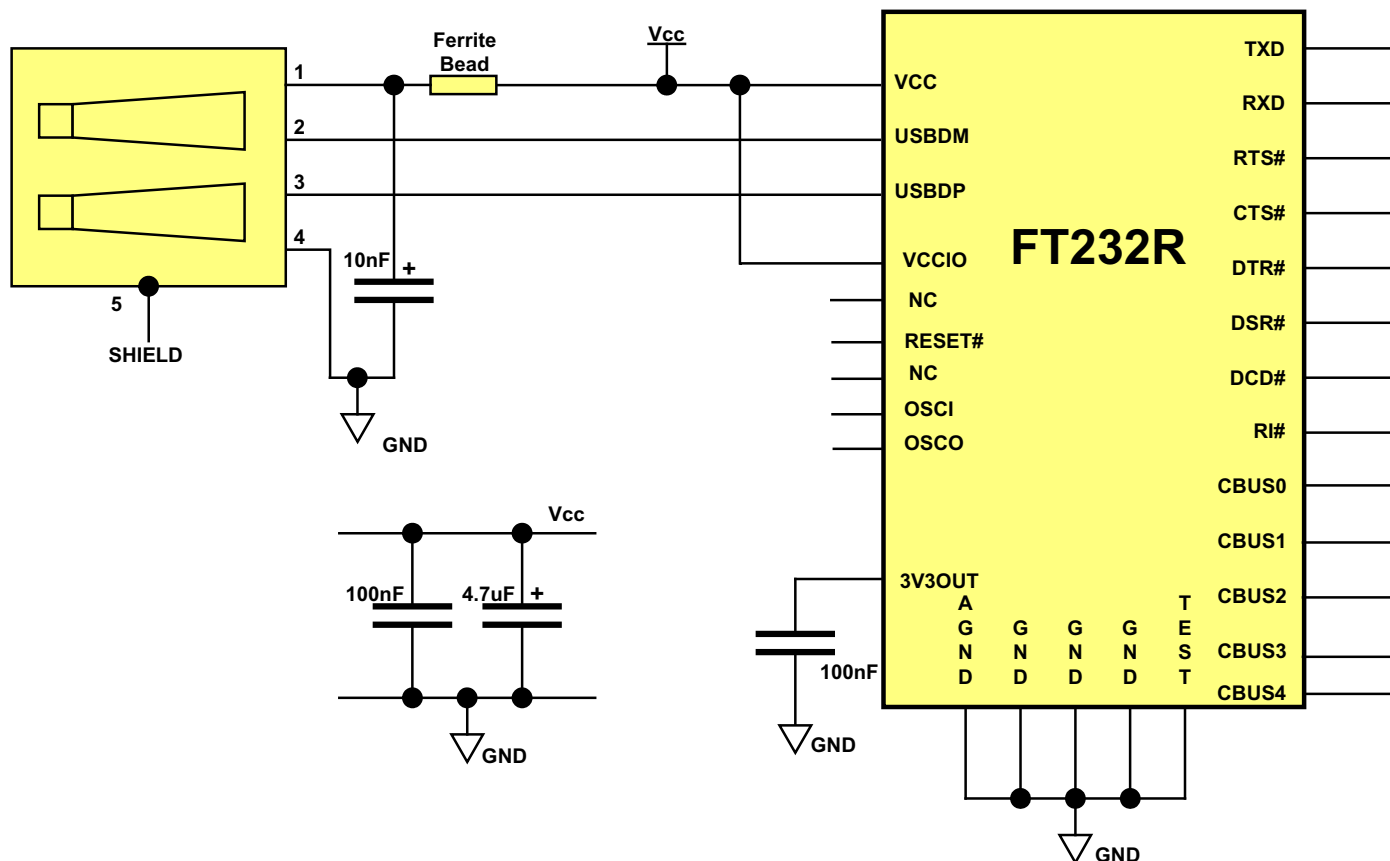


Figure 9 - Bus Powered Configuration

Figure 9 illustrates the FT232R in a typical USB bus powered design configuration. A USB Bus Powered device gets its power from the USB bus. Basic rules for USB Bus power devices are as follows –

- i) On plug-in to USB, the device must draw no more than 100mA.
- ii) On USB Suspend the device must draw no more than 500 $\mu$ A.
- iii) A Bus Powered High Power USB Device (one that draws more than 100mA) should use one of the CBUS pins configured as PWREN# and use it to keep the current below 100mA on plug-in and 500 $\mu$ A on USB suspend.
- iv) A device that consumes more than 100mA can not be plugged into a USB Bus Powered Hub
- v) No device can draw more that 500mA from the USB Bus.

The power descriptor in the internal EEPROM should be programmed to match the current draw of the device. A Ferrite Bead is connected in series with USB power to prevent noise from the device and associated circuitry (EMI) being radiated down the USB cable to the Host. The value of the Ferrite Bead depends on the total current required by the circuit – a suitable range of Ferrite Beads is available from Steward ([www.steward.com](http://www.steward.com)) for example Steward Part # MI0805K400R-00.

## 7.2 Self Powered Configuration

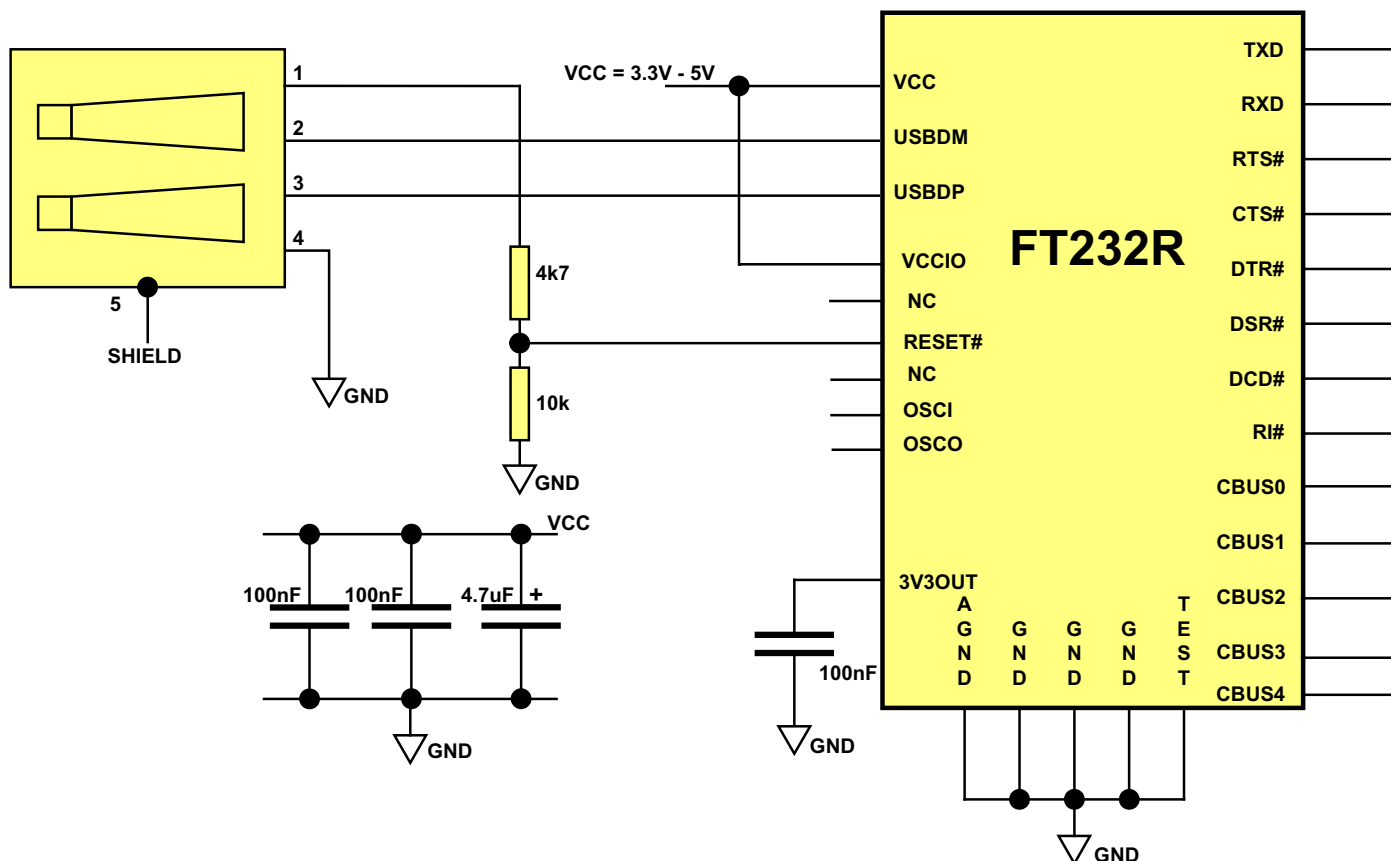


Figure 10 Self Powered Configuration

Figure 10 illustrates the FT232R in a typical USB self powered configuration. A USB Self Powered device gets its power from its own POWER SUPPLY and does not draw current from the USB bus. The basic rules for USB Self power devices are as follows –

- i) A Self Powered device should not force current down the USB bus when the USB Host or Hub Controller is powered down.
- ii) A Self Powered Device can use as much current as it likes during normal operation and USB suspend as it has its own power supply.
- iii) A Self Powered Device can be used with any USB Host and both Bus and Self Powered USB Hubs

The power descriptor in the internal EEPROM should be programmed to a value of zero (self powered).

In order to meet requirement (i) the USB Bus Power is used to control the RESET# Pin of the FT232R device. When the USB Host or Hub is powered up the internal 1.5K $\Omega$  resistor on USBDP is pulled up to 3.3V, thus identifying the device as a full speed device to USB. When the USB Host or Hub power is off, RESET# will go low and the device will be held in reset. As RESET# is low, the internal 1.5K $\Omega$  resistor will not be pulled up to 3.3V, so no current will be forced down USBDP via the 1.5K $\Omega$  pull-up resistor when the host or hub is powered down. Failure to do this may cause some USB host or hub controllers to power up erratically.

Figure 10 illustrates a self powered design which has a 3.3V - 5V supply. A design which is interfacing to 2.8V - 1.8V logic would have a 2.8V - 1.8V supply to VCCIO, and a 3.3V - 5V supply to VCC

Note : When the FT232R is in reset, the UART interface pins all go tri-state. These pins have internal 200K $\Omega$  pull-up resistors to VCCIO, so they will gently pull high unless driven by some external logic.



## 7.4 USB Bus Powered with 3.3V / 5V Supply and Logic Drive / IO Supply Voltage

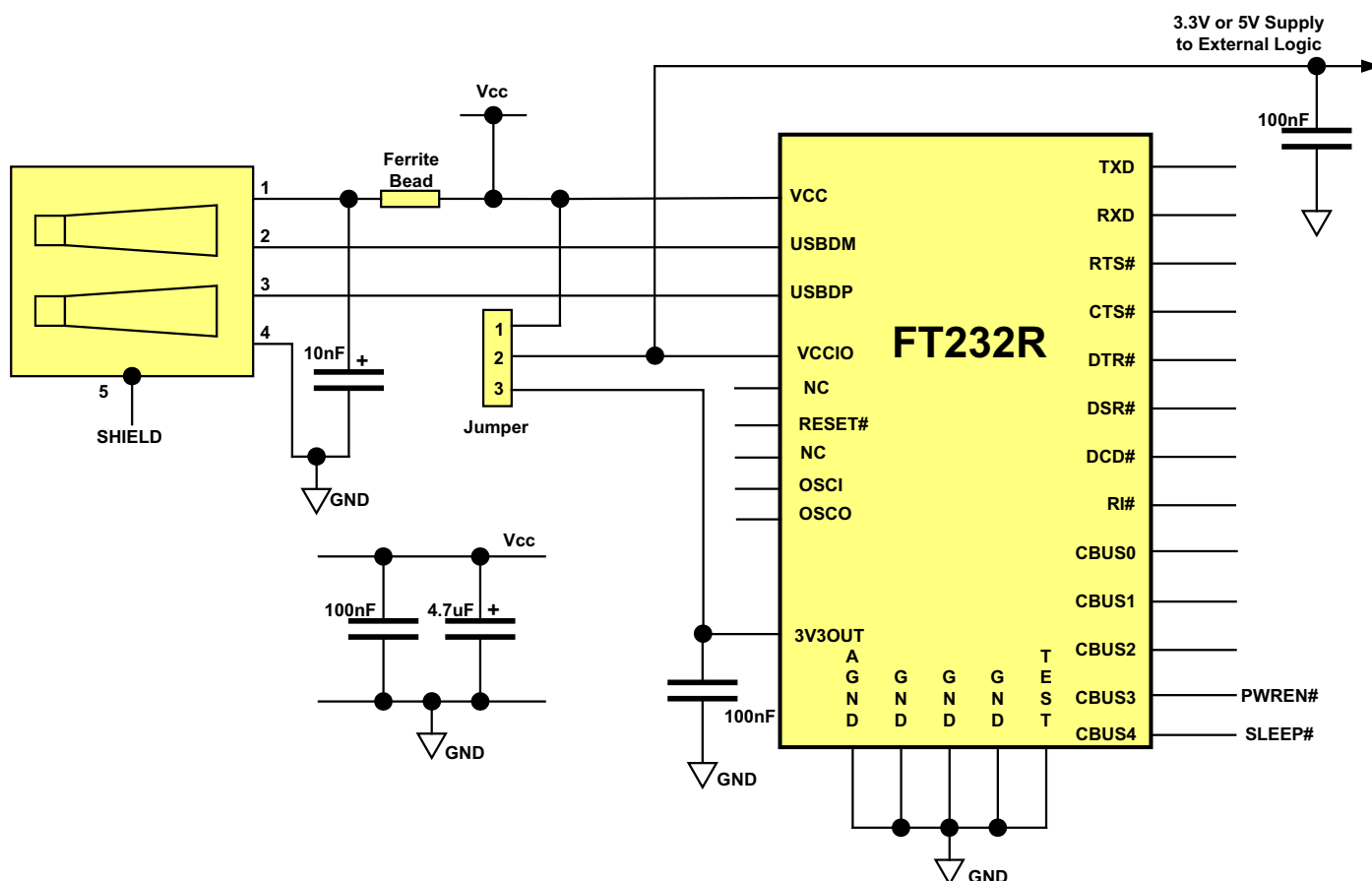


Figure 12 - Bus Powered with 3.3V / 5V Supply and Logic Drive

Figure 12 shows a configuration where a jumper switch is used to allow the FT232R to be interfaced with a 3.3V or 5V logic devices. The VCCIO pin is either supplied with 5V from the USB bus, or with 3.3V from the 3V3OUT pin. The supply to VCCIO is also used to supply external logic.

Please note the following in relation to bus powered designs of this type -

- PWREN# or SLEEP# signals should be used to power down external logic during USB suspend mode, in order to comply with the limit of 500 $\mu$ A. If this is not possible, use the configuration shown in [Section 7.3](#).
- The maximum current source from USB Bus during normal operation should not exceed 100mA, otherwise a bus powered design with power switching ([Section 7.3](#)) should be used.

Another possible configuration would be to use a discrete low dropout regulator which is supplied by the 5V on the USB bus to supply 2.8V - 1.8V to the VCCIO pin and to the external logic. VCC would be supplied with the 5V from the USB bus. With VCCIO connected to the output of the low dropout regulator, would in turn will cause the FT232R I/O pins to drive out at 2.8V - 1.8V logic levels.

For USB bus powered circuits some considerations have to be taken into account when selecting the regulator -

- The regulator must be capable of sustaining its output voltage with an input voltage of 4.35V. A Low Drop Out (L.D.O.) regulator must be selected.
- The quiescent current of the regulator must be low in order to meet the USB suspend total current requirement of  $\leq 500\mu$ A during USB suspend.

An example of a regulator family that meets these requirements is the MicroChip / Telcom TC55 Series of devices ([www.microchip.com](http://www.microchip.com)). These devices can supply up to 250mA current and have a quiescent current of under 1 $\mu$ A.



## 8. Example Interface Configurations

As in the Device Configurations section, please note that pin numbers on the FT232R chip in this section have deliberately been left out as they vary between the FT232RL and FT232RQ versions of the device. All of these configurations apply to both package options for the FT232R device. Please refer to Section 4 for the package option pin-out and signal descriptions.

### 8.1 USB to RS232 Converter Configuration

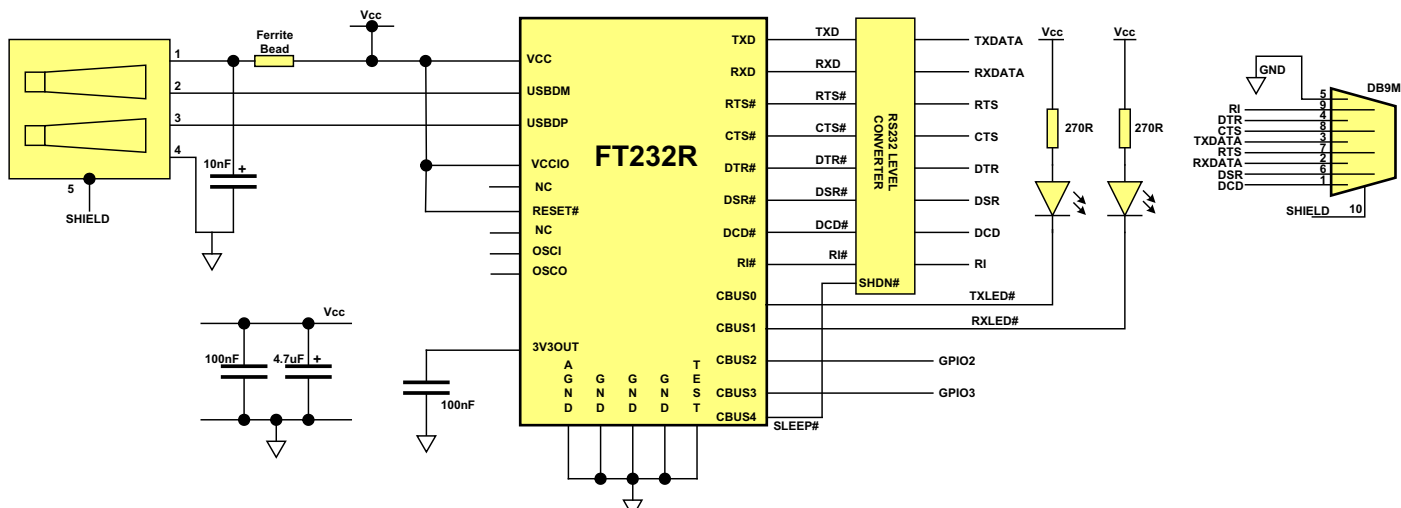


Figure 13 - Example USB to RS232 Converter Configuration

Figure 13 illustrates how to connect an FT232R as a USB to RS232 converter. A TTL – RS232 Level Converter I.C. is used on the serial UART of the FT232R to make the RS232 level conversion. This, for example can be done using the popular “213” series of TTL to RS232 level converters. These devices have 4 transmitters and 5 receivers in a 28-LD SSOP package and feature an in-built voltage converter to convert the 5V (nominal) VCC to the +/- 9 volts required by RS232. An important feature of these devices is the SHDN# pin which can power down the device to a low quiescent current during USB suspend mode.

An example of a device which can be used for this is a Sipex SP213EHCA which is capable of RS232 communication at up to 500K baud. If a lower baud rate is acceptable, then several pin compatible alternatives are available such as the Sipex SP213ECA, the Maxim MAX213CAI and the Analog Devices ADM213E, which are all good for communication at up to 115,200 baud. If a higher baud rate is desired, use a Maxim MAX3245CAI part which is capable of RS232 communication at rates of up to 1M baud. The MAX3245 is not pin compatible with the 213 series devices, also its SHDN pin is active high, so connect it to PWREN# instead of SLEEP#.

In the above example CBUS0 and CBUS1 have been configured as TXLED# and RXLED#, and are being used to drive two LEDs.

## 8.2 USB to RS485 Converter Configuration

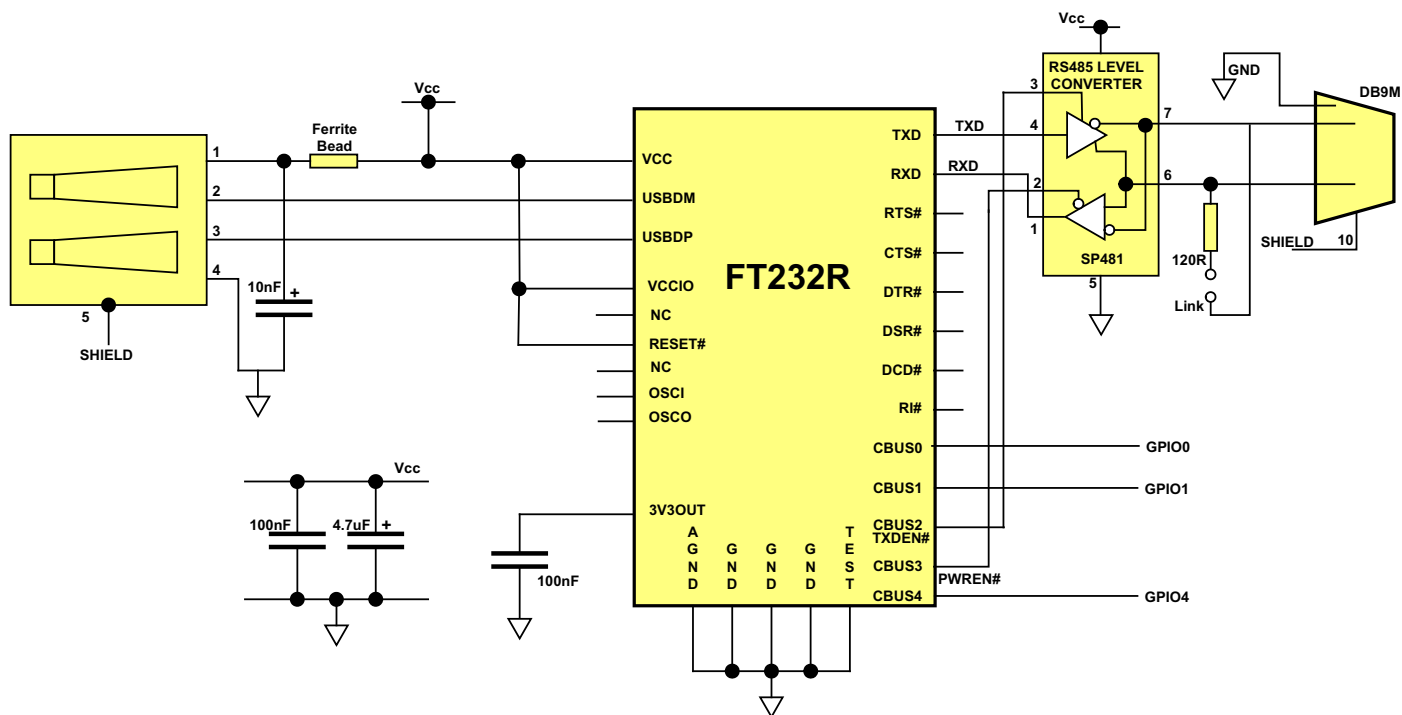


Figure 14 - Example USB to RS485 Converter Configuration

Figure 14 illustrates how to connect the FT232R's UART interface to a TTL – RS485 Level Converter I.C. to make a USB to RS485 converter. This example uses the Sipex SP481 device but there are similar parts available from Maxim and Analog Devices amongst others. The SP481 is a RS485 device in a compact 8 pin SOP package. It has separate enables on both the transmitter and receiver. With RS485, the transmitter is only enabled when a character is being transmitted from the UART. The TXDEN CBUS option on the FT232R is provided for exactly this purpose and so the transmitter enable is wired to CBUS4 which has been configured as TXDEN. Similarly, CBUS1 has been configured as PWREN#. This signal is used to control the SP481's receiver enable. The receiver enable is active low, so it is wired to the PWREN# pin to disable the receiver when in USB suspend mode.

RS485 is a multi-drop network – i.e. many devices can communicate with each other over a single two wire cable connection. The RS485 cable requires to be terminated at each end of the cable. A link is provided to allow the cable to be terminated if the device is physically positioned at either end of the cable.

In this example the data transmitted by the FT232R is also received by the device that is transmitting. This is a common feature of RS485 and requires the application software to remove the transmitted data from the received data stream. With the FT232R it is possible to do this entirely in hardware – simply modify the schematic so that RXD of the FT232R is the logical OR of the SP481 receiver output with TXDEN using an HC32 or similar logic gate.

### 8.3 USB to RS422 Converter Configuration

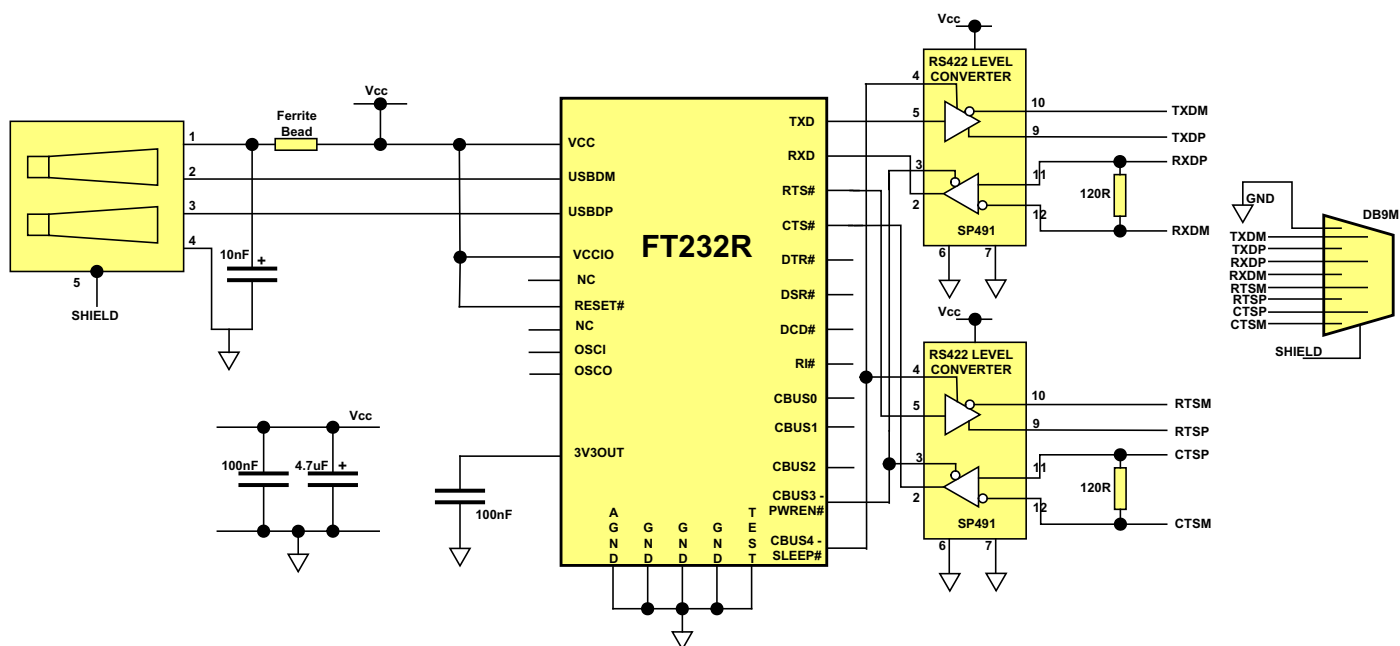


Figure 15 -Example USB to RS422 Converter Configuration

Figure 15 illustrates how to connect the UART interface of the FT232R to a TTL – RS422 Level Converter I.C. to make a USB to RS422 converter. There are many such level converter devices available – this example uses Sipex SP491 devices which have enables on both the transmitter and receiver. Because the transmitter enable is active high, it is connected to a CBUS pin in SLEEP# configuration. The receiver enable is active low and so is connected to a CBUS pin PWREN# configuration. This ensures that both the transmitters and receivers are enabled when the device is active, and disabled when the device is in USB suspend mode. If the design is USB BUS powered, it may be necessary to use a P-Channel logic level MOSFET (controlled by PWREN#) in the VCC line of the SP491 devices to ensure that the USB stand-by current of 500µA is met.

The SP491 is good for sending and receiving data at a rate of up to 5 Megabaud – in this case the maximum rate is limited to 3 Megabaud by the FT232R.

## 8.4 USB to MCU UART Interface

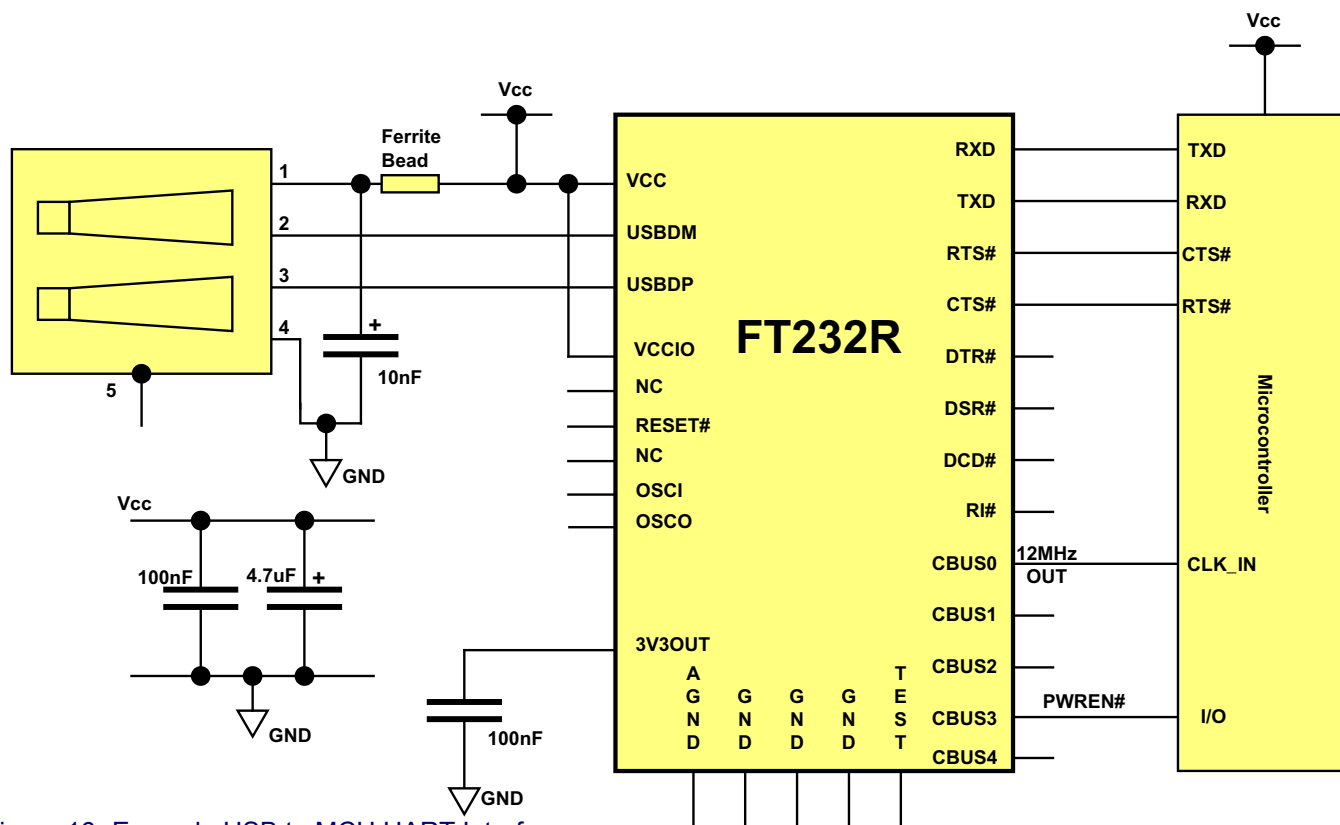


Figure 16 -Example USB to MCU UART Interface

Figure 16 is an example of interfacing the FT232R to a Microcontroller (MCU) UART interface. This example uses TXD and RXD for transmission and reception of data, and RTS# / CTS# hardware handshaking. Also in this example CBUS0 has been configured as a 12MHz output which is being used to clock the MCU.

Optionally, RI# can be connected to another I/O pin on the MCU and could be used to wake up the USB host controller from suspend mode. If the MCU is handling power management functions, then a CBUS pin can be configured as PWREN# and should also be connected to an I/O pin of the MCU.

## 9. LED Interface

Any of the 5 CBUS I/O pins can be configured to drive an LED. The FT232R has 3 options for driving an LED - these are TXLED#, RXLED#, and TX&RXLED#.

Figure 17 -Dual LED Configuration

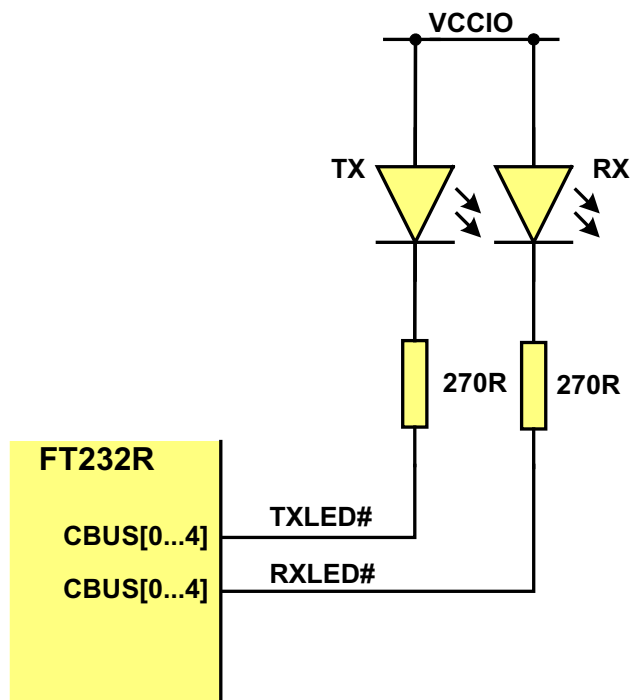


Figure 17 illustrates the configuration where one pin is used to indicate transmission of data (TXLED#) and another is used to indicate receiving data (RXLED#). When data is being transmitted or received the respective pins will drive from tri-state to low in order to provide indication on the LEDs of data transfer. A digital one-shot time is used so that even a small percentage of data transfer is visible to the end user.

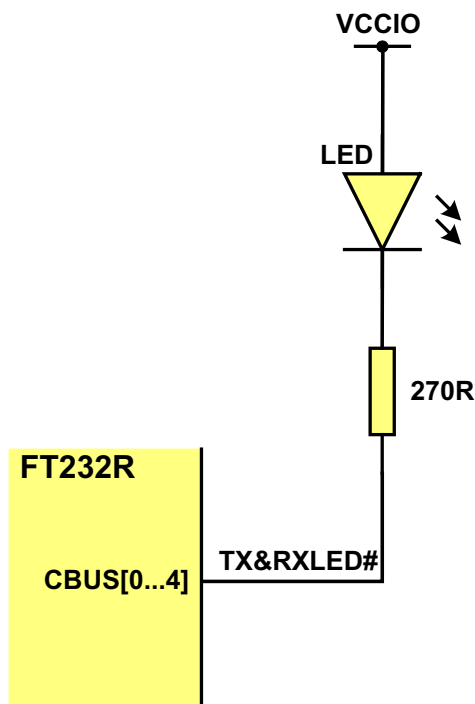


Figure 18 -Single LED Configuration

In figure 18 the TX&RXLED CBUS option is used. This option will cause the pin to drive a single LED when data is being transmitted or received by the device.

## 10. Internal EEPROM Configuration

Following a power-on reset or a USB reset the FT232R will scan its internal EEPROM and read the USB configuration descriptors stored there. The default values programmed into the internal EEPROM in a brand new device are defined in Table 18.

Table 18 - Default Internal EEPROM Configuration

| Parameter                         | Value           | Notes   |
|-----------------------------------|-----------------|---|
| USB Vendor ID (VID)               | 0403h           | FTDI default VID (hex)  |
| USB Product ID (PID)              | 6001h           | FTDI default PID (hex)  |
| Serial Number Enabled?            | Yes             |   |
| Serial Number                     | See Note        | A unique serial number is generated and programmed into the EEPROM during of device final test.   |
| Pull Down I/O Pins in USB Suspend | Disabled        | Enabling this option will make the device pull down on the UART interface lines when the power is shut off (PWREN# is high)                                     |
| Manufacturer Name                 | FTDI            |   |
| Product Description               | FT232R USB UART |   |
| Max Bus Power Current             | 90mA            |   |
| Power Source                      | Bus Powered     |   |
| Device Type                       | FT232R          |   |
| USB Version                       | 0200            | Returns USB 2.0 device descriptor to the host. Note: The device is be a USB 2.0 Full Speed device (12Mb/s) as opposed to a USB 2.0 High Speed device (480Mb/s). |
| Remote Wake up                    | Enabled         | Taking RI# will wake up the USB host controller from suspend.   |
| High Current I/Os                 | Disabled        | Enables the high drive level on the UART and CBUS I/O pins  |
| Load VCP Driver                   | Enabled         | Makes the device load the VCP driver interface for the device.  |
| CBUS0                             | TXLED#          | Default configuration of CBUS0 - Transmit LED drive   |
| CBUS1                             | RXLED#          | Default configuration of CBUS1 - Receive LED drive  |
| CBUS2                             | TXDEN           | Default configuration of CBUS2 - Transmit data enable for RS485   |
| CBUS3                             | PWREN#          | Default configuration of CBUS3 - Power enable. Low after USB enumeration, high during USB suspend.  |
| CBUS4                             | SLEEP#          | Default configuration of CBUS4 - Low during USB suspend.  |
| Invert TXD                        | Disabled        |   |
| Invert RXD                        | Disabled        |   |
| Invert RTS#                       | Disabled        |   |
| Invert CTS#                       | Disabled        |   |
| Invert DTR#                       | Disabled        |   |
| Invert DSR#                       | Disabled        |   |
| Invert DCD#                       | Disabled        |   |
| Invert RI#                        | Disabled        |   |

The internal EEPROM in the FT232R can be programmed over USB using the utility program MPROG. MPROG can be downloaded from the [FTDI website](#). Version 2.7c or later is required for the FT232R chip. Users who do not have their own USB Vendor ID but who would like to use a unique Product ID in their design can apply to FTDI for a free block of unique PIDs. Contact FTDI support for this service.

## Disclaimer

---

**Copyright © Future Technology Devices International Limited , 2005.**

**Version 0.9** - Initial Datasheet Created August 2005

**Version 0.94** - Revised Pre-release datasheet October 2005

Neither the whole nor any part of the information contained in, or the product described in this manual, may be adapted or reproduced in any material or electronic form without the prior written consent of the copyright holder.

This product and its documentation are supplied on an as-is basis and no warranty as to their suitability for any particular purpose is either made or implied.

Future Technology Devices International Ltd. will not accept any claim for damages howsoever arising as a result of use or failure of this product. Your statutory rights are not affected.

This product or any variant of it is not intended for use in any medical appliance, device or system in which the failure of the product might reasonably be expected to result in personal injury.

This document provides preliminary information that may be subject to change without notice.

## Contact FTDI

### Head Office -

#### Future Technology Devices International Ltd.

373 Scotland Street,  
Glasgow G5 8QB,  
United Kingdom

Tel. : +(44) 141 429 2777  
Fax. : +(44) 141 429 2758

E-Mail (Sales) : [sales1@ftdichip.com](mailto:sales1@ftdichip.com)  
E-Mail (Support) : [support1@ftdichip.com](mailto:support1@ftdichip.com)  
E-Mail (General Enquiries) : [admin1@ftdichip.com](mailto:admin1@ftdichip.com)

### Regional Sales Offices -

#### Future Technology Devices International Ltd. (Taiwan)

4F, No 16-1,  
Sec. 6 Mincyuan East Road,  
Neihu District,  
Taipei 114,  
Taiwan, R.o.C.

Tel.: +886 2 8791 3570  
Fax: +886 2 8791 3576

E-Mail (Sales): [tw.sales@ftdichip.com](mailto:tw.sales@ftdichip.com)  
E-Mail (Support): [tw.support@ftdichip.com](mailto:tw.support@ftdichip.com)  
E-Mail (General Enquiries): [tw.admin@ftdichip.com](mailto:tw.admin@ftdichip.com)

#### Future Technology Devices International Ltd. (USA)

5285 NE Elam Young  
Parkway, Suite B800  
Hillsboro,  
OR 97124-6499  
USA

Tel.: +1 (503) 547-0988  
Fax: +1 (503) 547-0987

E-Mail (Sales): [us.sales@ftdichip.com](mailto:us.sales@ftdichip.com)  
E-Mail (Support): [us.support@ftdichip.com](mailto:us.support@ftdichip.com)  
E-Mail (General Enquiries): [us.admin@ftdichip.com](mailto:us.admin@ftdichip.com)

Website URL : <http://www.ftdichip.com>