

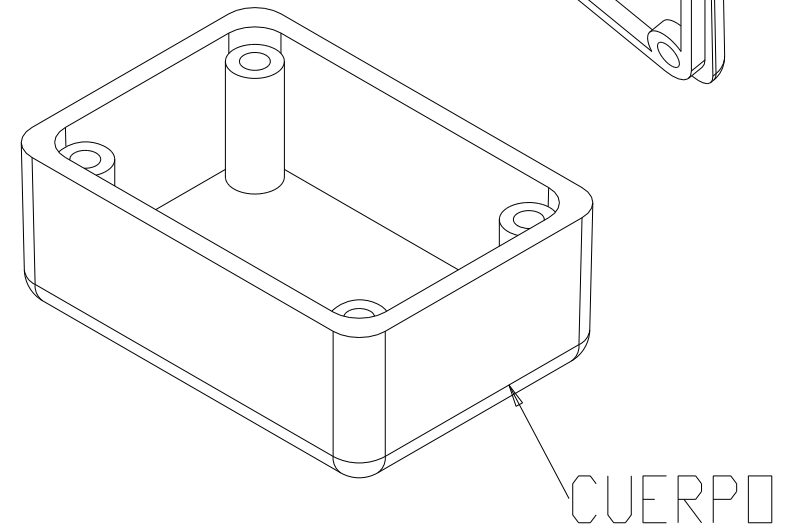
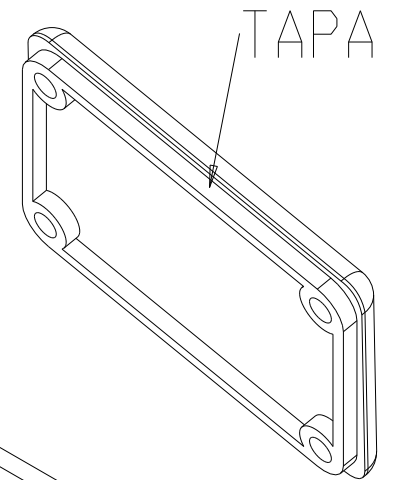
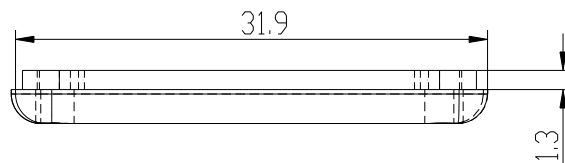
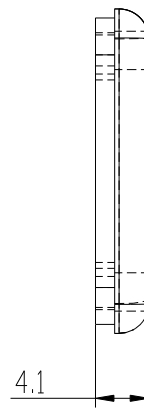
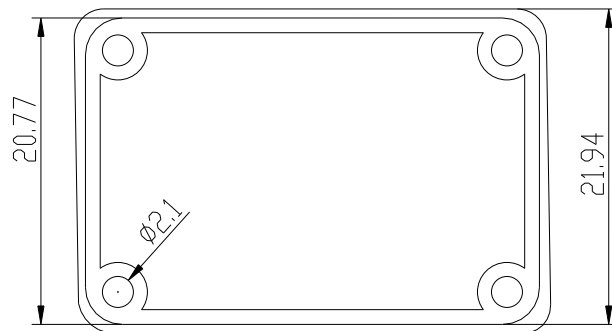
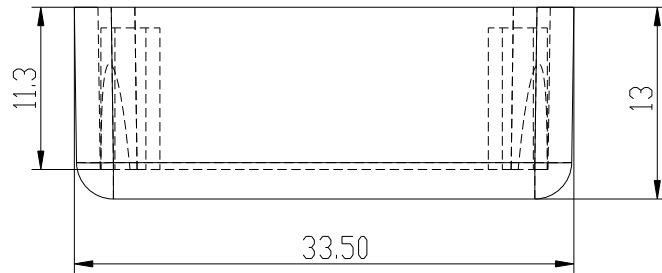
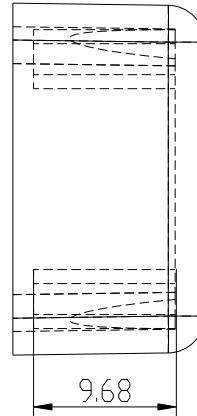
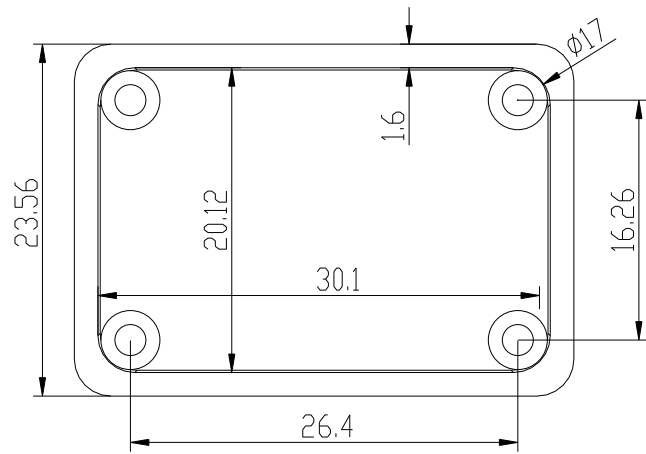


**HESTORE.HU**

elektronikai alkatrész áruház

**EN:** This Datasheet is presented by the manufacturer.

Please visit our website for pricing and availability at [www.hestore.hu](http://www.hestore.hu).



		Proprietary and confidential of Supertronic		
Plano		Formato DIN A4		
Dibujado	D.R.	Fecha 2007	Peso (gr) ----	Dimensiones 23.5x33.5x16
Revisado	J.R.	Fecha 2008	Escala 1/1	Material ABS
⊕	◻	Código	Dimensions are in millimeters Tolerance ±0.2mm	
Referencia cliente		Modelo PP85A		