



HESTORE.HU

elektronikai alkatrész áruház

EN: This Datasheet is presented by the manufacturer.

Please visit our website for pricing and availability at www.hestore.hu.

1. Application :

For sounder in alarm systems.

2. General :

- 2.1 Out - Diameter : Ø 23 mm.
2.2 Height : 10 mm.
2.3 Weight : 3.5 g.
2.4 Operating Temperature range : -20 ~ +60°C without loss of function
2.5 Store Temperature range : -30 ~ +70°C without loss of function

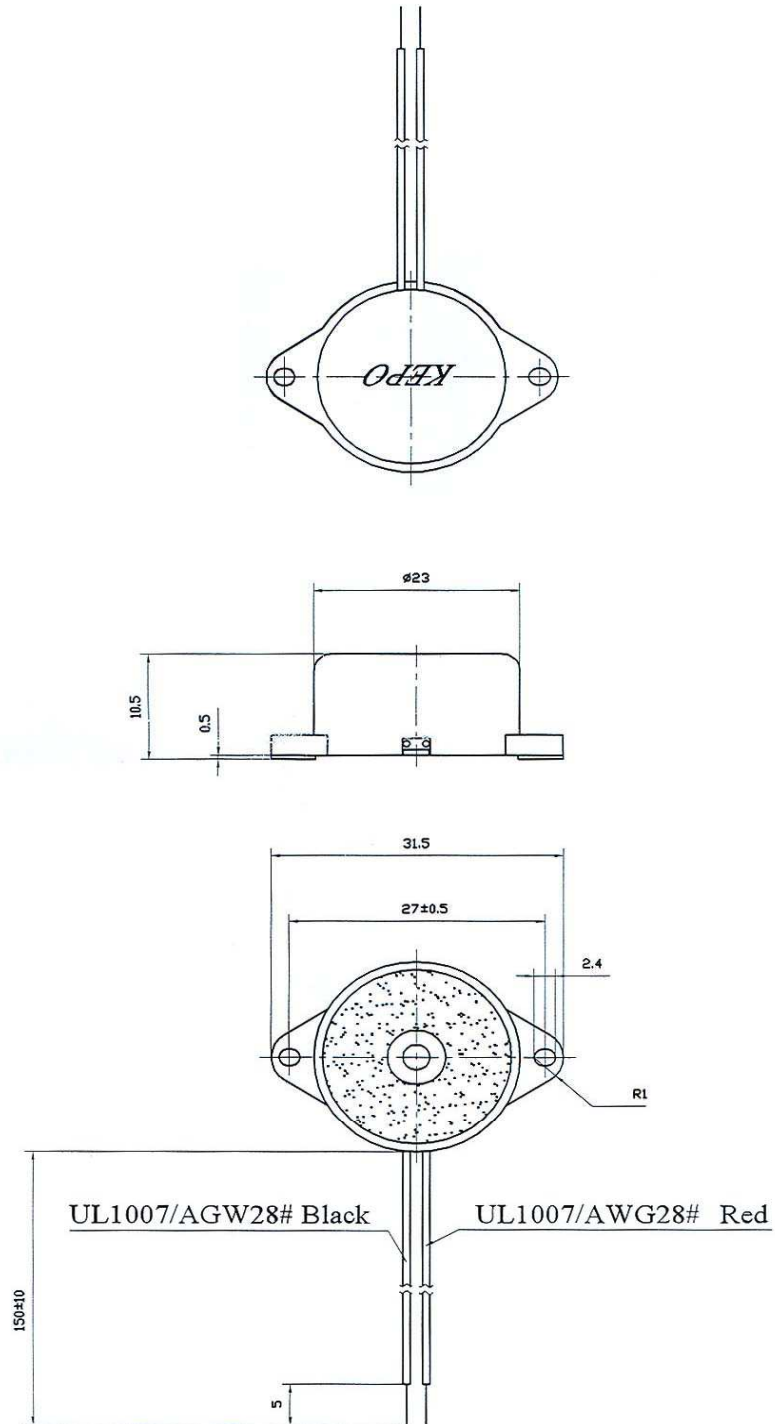
3. Electrical and Acoustic Characteristics :

Test condition : 15 ~ 35°C, 25% ~ 85% RH, 860 ~ 1060 mbar

No.	Items	Specification
1	Rated Voltage	12 VDC
2	Operating Voltage	3 ~ 24 VDC
3	Max. Rated Current	10 mA at 12 VDC
4	Resonant Frequency	3.7 ± 0.5 KHz
5	Min. Sound Pressure Level	82 dB at 12VDC / 30cm
6	Tone Nature	Continuous
7	Case Material / Color	ABS / Black

4. Picture :

5. Dimensions :



FIRST ANGLE PROJECTION

UNIT : mm
Tolerance : ± 0.5