



HESTORE.HU

elektronikai alkatrész áruház

EN: This Datasheet is presented by the manufacturer.

Please visit our website for pricing and availability at www.hestore.hu.



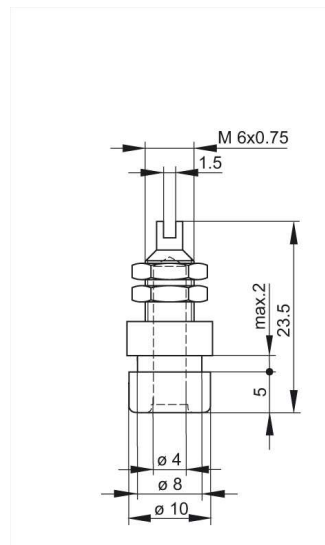
BIL 20 rot/red

Industrial Connectors:Measuring and Testing Equipment:Sockets:4 mm system

Product description

Description	Socket with insulated head and ring for installation in equipment chassis and switchpanels with a wall thickness up to 2 mm. 4 mm diameter tin-plated brass socket, with solder connection.
Type	BIL 20 rot/red
Order No.	930 176-101
System	4 mm system
Housing Color	red
Other standard types	black color, order no. 930 176-100; blue color, order no. 930 176-102; yellow color, order no. 930 176-103; green color, order no. 930 176-104; white color, order no. 930 176-107

Drawing



Technical data

Type of contact	socket
Type of termination	soldered
Rated voltage	DC 60 V
Rated current	32 A
Contact resistance	5 mOhm
Mounting	screw

Material

Contact material	brass
------------------	-------

Contact surface material	tin-plated
Housing material	PF
Environmental conditions	
Temperature range	-25 °C to +85 °C
Inflammability class	
Housing	94 V-0