



HESTORE.HU

elektronikai alkatrész áruház

EN: This Datasheet is presented by the manufacturer.

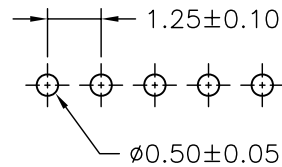
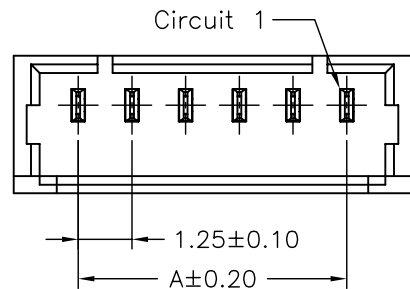
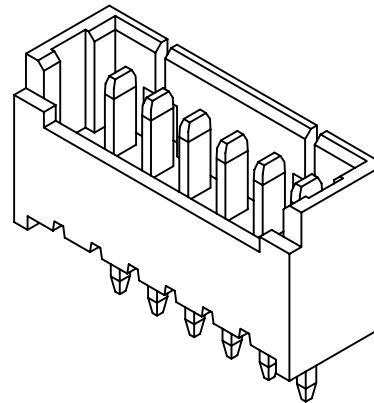
Please visit our website for pricing and availability at www.hestore.hu.

SPECIFICATIONS

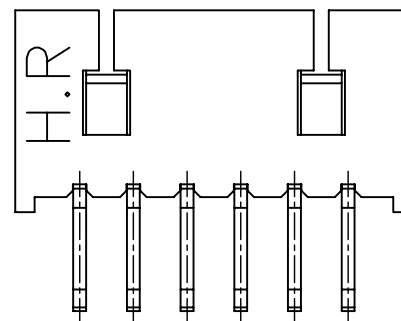
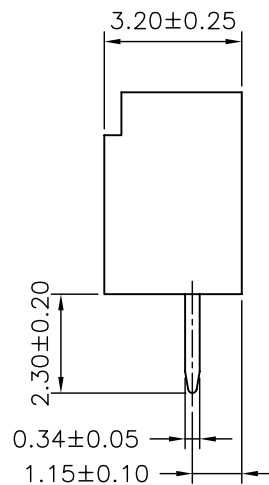
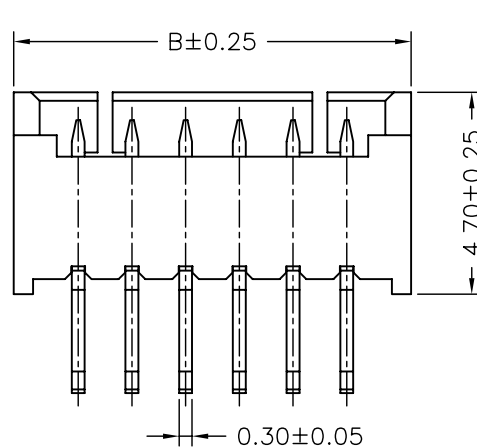
Current Rating: 1A AC,DC
 Voltage Rating: 125V AC,DC
 Temperature Range: -25°C ~ +85°C
 Contact Resistance: 20mΩ Max.
 Insulation Resistance: 100MΩ Min.
 Withstanding Voltage: 500V AC/minute
 Pin Material: Phosphor Bronze/Tin-plated
 Material: Nylon 6T,UL94V-0
 Color: Natural(Beige)

Ordering Information & Dimensions

PART NO.	Dimensions	
	A	B
A1250WV-02P	1.25	4.25
A1250WV-03P	2.50	5.50
A1250WV-04P	3.75	6.75
A1250WV-05P	5.00	8.00
A1250WV-06P	6.25	9.25
A1250WV-07P	7.50	10.50
A1250WV-08P	8.75	11.75
A1250WV-09P	10.00	13.00
A1250WV-10P	11.25	14.25
A1250WV-11P	12.50	15.50
A1250WV-12P	13.75	16.75
A1250WV-13P	15.00	18.00
A1250WV-14P	16.25	19.25
A1250WV-15P	17.50	20.50
A1250WV-16P	18.75	21.75
A1250WV-17P	20.00	23.00
A1250WV-18P	21.25	24.25



P.C.B LAYOUT



			UNIT	SCALE	SHEET
			mm		1 of 1
			DRAWN BY		APPROVED BY
			董正一		董正一
			2001.02.01		2001.02.01
			GENERAL TOLERANCE		
			X. X±0.25	ANGLE±	
			X. XX±0.15	1.25mm PITCH 180° WAFER	
			X. XXX±0.05		
B0	NEW RELEASE	2006.06.23	DRAW NO. : A1250WV-XP		
REV.	DESCRIPTION	DATE			