



**HESTORE.HU**

elektronikai alkatrész áruház

**EN:** This Datasheet is presented by the manufacturer.

Please visit our website for pricing and availability at [www.hestore.hu](http://www.hestore.hu).

## Condensatori elettrolitici per avviamento motori monofase serie 4.12.80

## Single phase motor starting electrolytic capacitors series 4.12.80



I condensatori elettrolitici vengono normalmente impiegati nei motori monofase ad induzione per aumentare il valore della coppia d'avviamento. Si richiede che tale avviamento avvenga in una frazione di secondo o al massimo di qualche secondo e con l'apporto di una elevata potenza reattiva.

Il condensatore elettrolitico, per le dimensioni ridotte e gli elevati valori di capacità, è il condensatore ideale per questo tipo di servizio.

Naturalmente una volta esaurita la fase di avviamento, il condensatore deve essere scollegato dal circuito.

L'elemento capacitivo è realizzato con fogli di alluminio «formato» e separati da uno strato di carta impregnata di elettrolita; le custodie sono stampate in materiale termoplastico, i terminali sono del tipo a saldare ed a innesto.

*Electrolytic capacitors are normally employed in single-phase induction motors in order to increase the value of their starting torque.*

*It is necessary that such starting should take place in a fraction of a second or at the most in a few seconds and with the contribution of an high reactive power.*

*Because of its reduced size, high capacitance value, the electrolytic capacitor is the suitable capacitor for this type of application.*

*Of course, once the motor has been started, the capacitor must be disconnected from the circuit.*

*The capacitive element is made of aluminium foils «treated» and separated by a leaf of impregnated paper as the electrolyte. Cases moulded in thermoplastic material, terminals tinned soldering and flat plug type.*

## Serie standard per usi generali / Standard duty series for general application

Capacità Capacitance μF	110V ~		125V ~		165V ~		220V ~		250V ~		280V ~		330V ~	
	C min C max Cn. (Toll.)	Dim. Codice Part number 4.12.80.y.xxx	Dim. Codice Part number 4.12.80.y.xxx	Dim. Codice Part number 4.12.80.y.xxx	Dim. Codice Part number 4.12.80.y.xxx	Dim. Codice Part number 4.12.80.y.xxx	Dim. Codice Part number 4.12.80.y.xxx	Dim. Codice Part number 4.12.80.y.xxx	Dim. Codice Part number 4.12.80.y.xxx	Dim. Codice Part number 4.12.80.y.xxx	Dim. Codice Part number 4.12.80.y.xxx	Dim. Codice Part number 4.12.80.y.xxx	Dim. Codice Part number 4.12.80.y.xxx	Dim. Codice Part number 4.12.80.y.xxx
21±25	A	4.12.80.y.201	A	4.12.80.y.251	A	4.12.80.y.301	A	4.12.80.y.351	A	4.12.80.y.401	A	4.12.80.y.501	A	4.12.80.y.451
25±30	»	.202	»	.252	»	.302	»	.352	»	.402	»	.502	»	.452
30±36	»	.203	»	.253	»	.303	»	.353	»	.403	»	.503	»	.453
36±43	»	.204	»	.254	»	.304	»	.354	»	.404	»	.504	»	.464
43±52	»	.205	»	.255	»	.305	»	.355	»	.405	»	.505	»	.472
47±56	»	.206	»	.256	»	.306	»	.356	»	.406	»	.506	B	* .456
53±64	»	.207	»	.257	»	.307	»	.357	»	.418	»	.523	»	* .457
64±77	»	.208	»	.258	»	.308	»	.370	»	.427	B	* .508	»	* .458
72±86	»	.209	»	.259	»	.309	»	.376	B	* .409	»	* .509	»	* .459
88±106	»	.210	»	.260	»	.310	B	* .360	»	* .410	»	* .510	»	.465
108±130	»	.211	»	.261	»	.311	»	* .361	»	* .411	»	* .518	C	.461
124±149	»	.212	»	.262	»	.334	»	* .362	»	* .419	»	.533	»	.462
130±156	»	.213	»	.263	»	.335	»	* .371	»	* .420	»	.534	»	.463
145±174	»	.214	»	.264	»	.336	»	* .372	»	.421	»	.535	»	.469
161±193	»	.215	»	.265	B	* .315	»	* .373	»	.422	C	.515	»	.468
189±227	»	.216	»	.266	»	* .316	»	.377	»	.424	»	.520		.466
216±260	»	.217	»	.267	»	* .317	»	.378	C	.417				
233±280	»	.218	»	.268	»	* .318	C	.368		.423				
243±292	»	.219	»	.275	»	* .319	»	.369		.428				
270±324	»	.227	B	* .270	»	* .337	»	.375						
324±389	B	* .221	»	* .271	»	* .338								
340±408	»	* .222	»	* .272	»	.339								
378±454	»	* .223	»	* .273	»	.340								
400±480	»	* .224	»	* .274	C	.333								
430±516	»	* .225	»	* .276										
460±552	»	* .226	»	* .284										
550±650	»	* .228	»	.285										

\* Disponibile anche in dimensioni D / Also available in D dimensions

## Serie speciale per impieghi industriali / Heavy duty series for industrial applications

**Omologati / Approved**

Temperature class: - 20 + 60°C

VDE



IMQ



EN 60 252-2

E192559

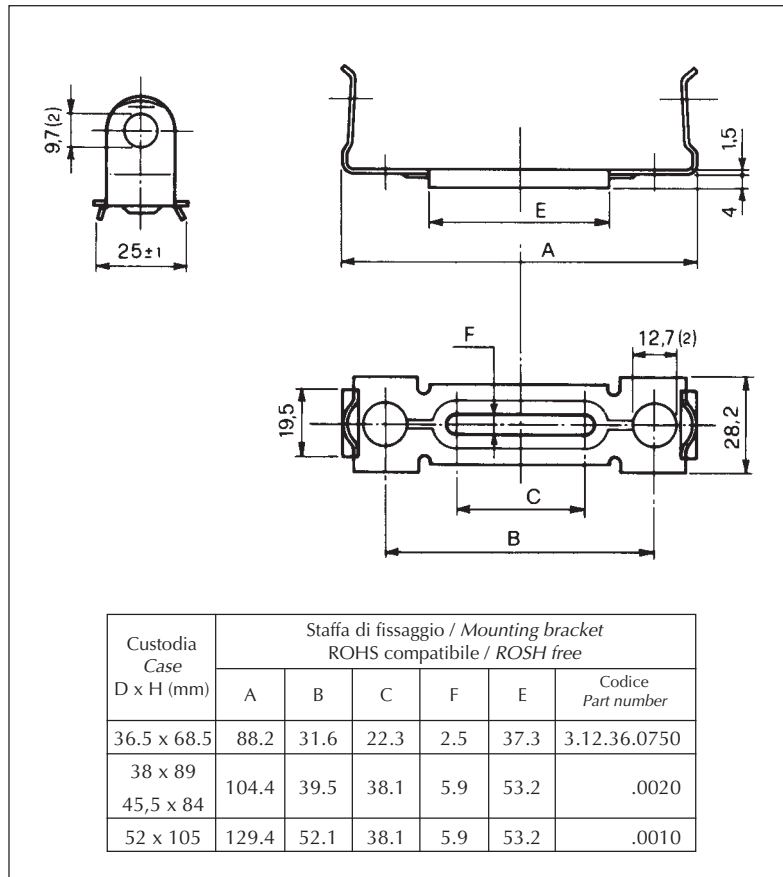
Capacità Capacitance μF	250 V ~		330 V ~	
	DIM.	Codice / Part number 4.12.80.y.xxx	DIM.	Codice / Part number 4.12.80.y.xxx
24 ± 10%	A	4.12.80.y.107	A	4.12.80.y.121
48 ± 10%	»	.112	»	.133
56 ± 10%	»	.109	B	* .101
59 ± 10%	»	.110	»	* .102
71 ± 10%	»	.105	»	* .124
80 ± 10%	B	* .114	»	* .126
98 ± 10%	»	* .106	»	.134
120 ± 10%	»	* .119	C	.165
140 ± 10%	»	* .117	»	.120

Dimensioni  
Dimensions

A = 36,5 x 68,5 mm  
 B = 45,5 x 84 mm  
 C = 52 x 105 mm  
 D = 38 x 89 mm



Staffa di fissaggio / *Mounting bracket*



Coperchio di protezione / *Protective cap*

