



HESTORE.HU

elektronikai alkatrész áruház

EN: This Datasheet is presented by the manufacturer.

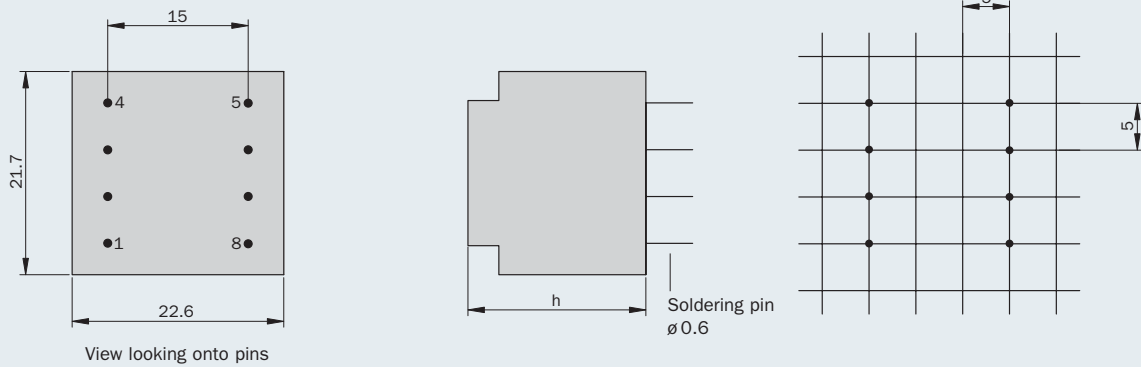
Please visit our website for pricing and availability at www.hestore.hu.



- Minimal sizes available
- Test certifications to ENEC 10-, VDE-, UL- and CSA-regulations
 - Primary voltages from 12 V to 250 V
 - Secondary voltages from 4 V to 24 V or 2 x 3 V to 2 x 12 V
 - High capacity up to 0.5 VA
- Further voltages on demand
- Absolutely short-circuit-proof
- Vacuum-encapsulated, bobbin type with dual chamber windings
- Temperature class ta 70 °C/B
- High electrical safety and long service-life features
- Quality test certified per item
- Excellent temperature fluctuation resistance properties
- Self-extinguishing cast housing and sealing material

Thanks to its minimal size the BV 20 is the ideal problem solution for appliance manufacturers requiring small components and who are not prepared to enter into any compromises as regards quality and performance demands.

Processing with double-coated windings, special extreme heat-resistant epoxy insulating resins and self-extinguishing encapsulation housing materials give HAHN transformers extra electrical safety reserves enabling applications of extreme limits to be addressed.



Dimensions without tolerances ± 0.3 mm, Rights to make alterations and improvements hereby reserved

The BV 20 with insulation class B properties is especially suitable for printed circuit boards, computer processors, other electronic applications, domestic appliances, telecommunications, lighting and photo technologies.

Particularly in regard to competitiveness on international markets and the product liability of manufacturers, the BV 20 offers users the greatest functional electrical safety and long-life service by reason of its superior quality for their products.

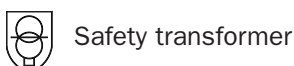
Frame size/Core height	Output ta 70 °C/B	Size (h)	Weight	Packaging unit
BV 201 / 6 mm	0.35 VA	15 mm	0.025 kg	50/250 Stück*

Order No.	Total output VA	Frame Size	Primary voltage V	Connecting pins prim.	Secondary voltage V	Current sec. mA	Connecting pins sec.	No-load voltage V
BV 201 0128	0.35	1	230	1-4	1 x 6	58	6-7	1 x 10.0
BV 201 0142	0.35	1	230	1-4	2 x 6	29	5-6/7-8	2 x 10.4
BV 201 0143	0.35	1	230	1-4	1 x 7.5	47	6-7	1 x 12.6
BV 201 0136	0.35	1	230	1-4	1 x 9	39	6-7	1 x 14.4
BV 201 0144	0.35	1	230	1-4	2 x 9	19	5-6/7-8	2 x 16.0
BV 201 0145	0.35	1	230	1-4	1 x 12	29	6-7	1 x 20.8
BV 201 0146	0.35	1	230	1-4	2 x 12	15	5-6/7-8	2 x 19.7
BV 201 0147	0.35	1	230	1-4	1 x 15	23	6-7	1 x 26.1
BV 201 0149	0.35	1	230	1-4	1 x 18	19	6-7	1 x 30.4
BV 201 0150	0.35	1	230	1-4	1 x 21	17	6-7	1 x 36.0
BV 201 0135	0.35	1	230	1-4	1 x 24	15	6-7	1 x 36.8

Frame size/Core height	Output ta 70 °C/B	Size (h)	Weight	Packaging unit
BV 202 /10 mm	0.50 VA	19 mm	0.035 kg	50/250 Stück*

Order No.	Total output VA	Frame Size	Primary voltage V	Connecting pins prim.	Secondary voltage V	Current sec. mA	Connecting pins sec.	No-load voltage V
BV 202 0154	0.5	2	230	1-4	1 x 6	83	6-7	1 x 10.2
BV 202 0155	0.5	2	230	1-4	2 x 6	42	5-6/7-8	2 x 10.2
BV 202 0156	0.5	2	230	1-4	1 x 7.5	67	6-7	1 x 12.8
BV 202 0157	0.5	2	230	1-4	1 x 9	55	6-7	1 x 15.4
BV 202 0158	0.5	2	230	1-4	2 x 9	28	5-6/7-8	2 x 15.4
BV 202 0159	0.5	2	230	1-4	1 x 12	42	6-7	1 x 20.6
BV 202 0160	0.5	2	230	1-4	2 x 12	21	5-6/7-8	2 x 20.6
BV 202 0161	0.5	2	230	1-4	1 x 15	33	6-7	1 x 25.9
BV 202 0162	0.5	2	230	1-4	1 x 18	28	6-7	1 x 30.9
BV 202 0163	0.5	2	230	1-4	1 x 21	24	6-7	1 x 36.2
BV 202 0164	0.5	2	230	1-4	1 x 24	21	6-7	1 x 41.2

* it depends on kind of packaging



All these types are held on stock