



HESTORE.HU

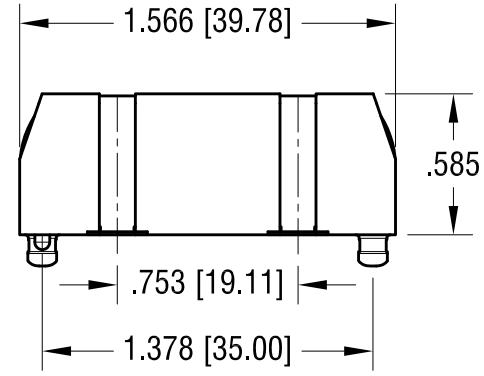
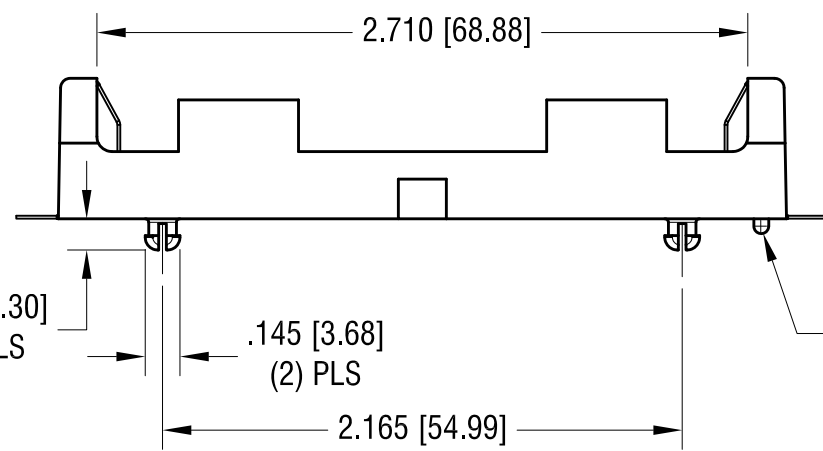
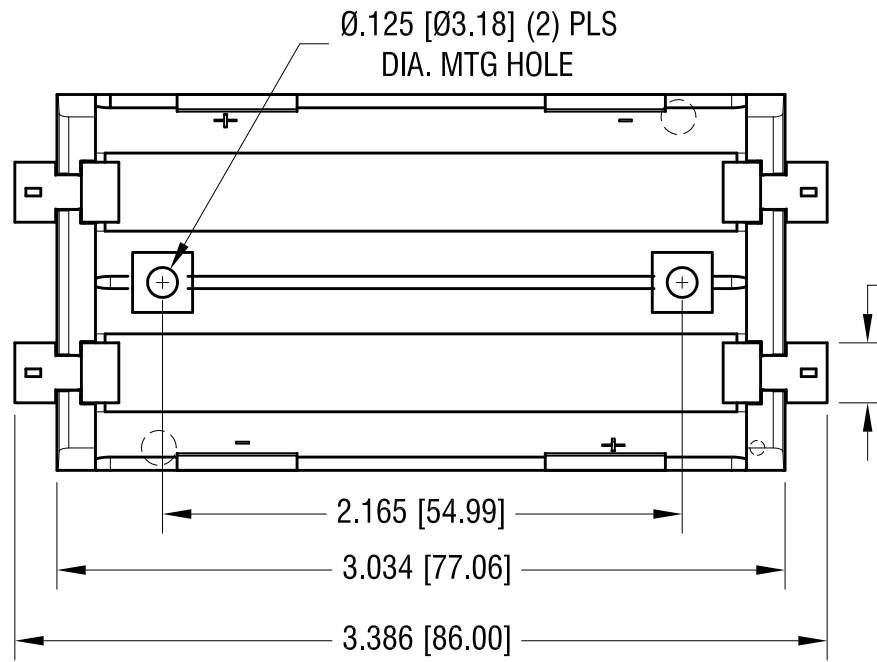
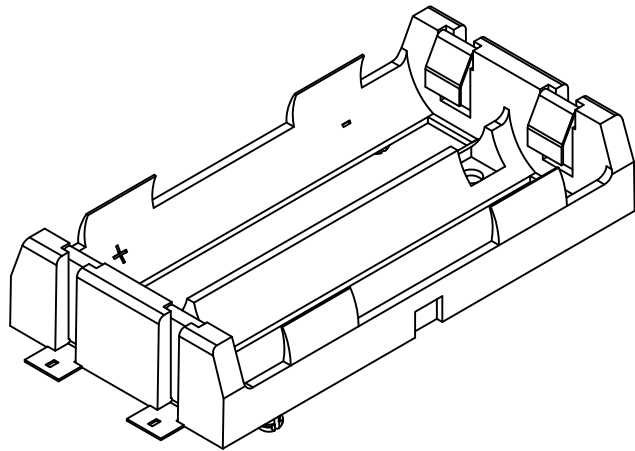
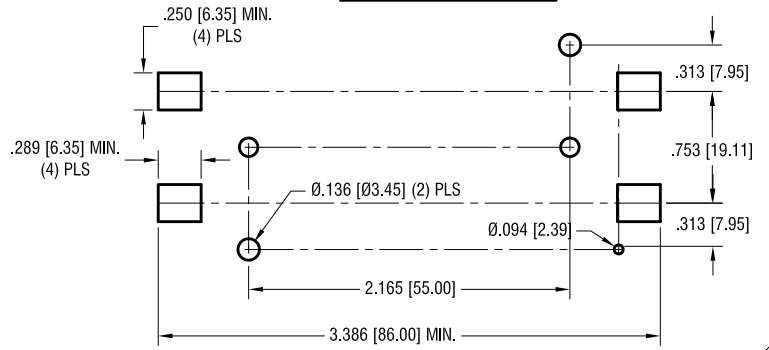
elektronikai alkatrész áruház

EN: This Datasheet is presented by the manufacturer.

Please visit our website for pricing and availability at www.hestore.hu.

DATE	DESCRIPTION	REV.
8.24.10	CHANGE AS PER ECN 10-062	A
10.04.10	CHANGE PER ECN 10-069	B
10.26.10	CHANGE PER ECN 10-075	C

MOUNTING PAD LAYOUT



- NOTE:**
- BASE:**
MAT'L: HEAT RESISTANCE NYLON
STANYL 46 OR EQUIVALENT
 - CONTACT:**
MAT'L: .012 [0.30] THK PHOSPHOR BRONZE
FINISH: GOLD FLASH, OVER NICKEL PLATE

THIS DOCUMENT IS THE PROPERTY OF KEYSTONE ELECTRONICS CORP. AND SHALL NOT BE REPRODUCED, DISTRIBUTED OR USED AS A BASIS FOR MANUFACTURE WITHOUT PRIOR WRITTEN PERMISSION FROM KEYSTONE ELECTRONICS CORP.

KEYSTONE ELECTRONICS CORP.			
www.keyelco.com • ASTORIA, N.Y. 11105-2017 • Tel (718) 956-8900			
PART NAME DUAL SM BATTERY HOLDER , 18650			
MATERIAL AS NOTED			
FINISH AS NOTED	DRN BY NT	DATE 8.19.10	
	APPD LN	SCALE 1.25X	
TOLERANCES INCH [MM] DECIMAL ± .010 [± 0.25] ANGULAR ± 1° UNLESS OTHERWISE SPECIFIED	CODE C	DWG NO. 1048	