



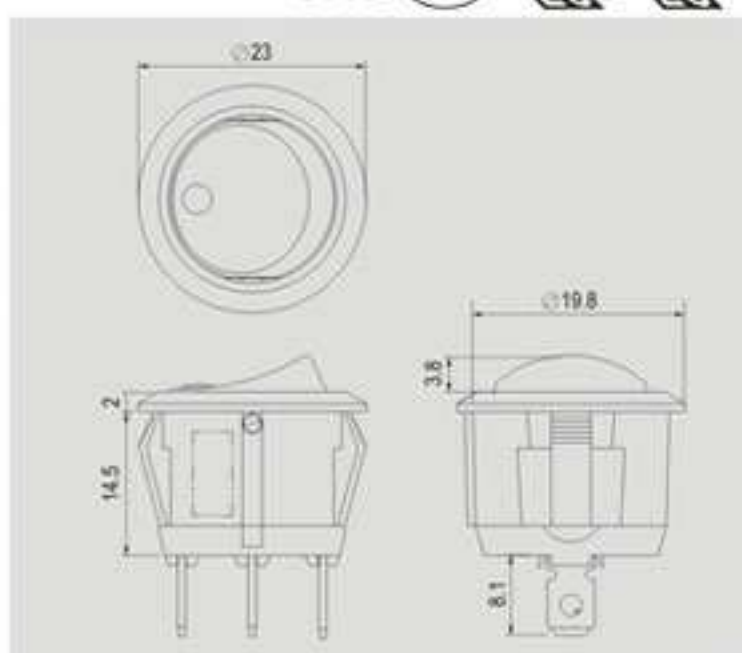
HESTORE.HU

elektronikai alkatrész áruház

EN: This Datasheet is presented by the manufacturer.

Please visit our website for pricing and availability at www.hestore.hu.

R13-112



| Rating | 16A 125V AC 10A 250V AC |
|-----------------------|----------------------------|
| Contact resistance | 50mΩ Max |
| Insulation resistance | DC 500V 100MΩ Min |
| Dielectric strength | AC 1500V 1 minute |
| Cut-out | |



FEATURES

- * MATERIAL: Frames are nylon (UL frame: 94V-2). Terminals are silver plated brass.
- * Illuminated actuators are molded in PC, available with red, amber and green colors.
- * Snap-in mounting, easy to install switch into panel.
- * Waterproof cover is optional, except LP & BP type.
- * The dimension of frame is 14.5mm, for shorter one, please refer to page.1-51 item no. R13-208.
- * R13-112B9, R13-112B9F: LED with PCB inside for AC rating.



Ordering number instruction

R13-112 [] [] [] - [] [] []

| FUNCTION | | | | TERMINAL |
|--|--|--|--|---------------------|
| Different button (按钮不同) A 2P SPST A 2 2P SPST A 5 2P SPST (Gloss Finish) A P 2P SPST | | | | 0 2 .187" SQ |
| Illuminated / Different button (带灯/按钮不同) B 3P SPST (NEON) 125VAC 33KΩ / 250VAC 150KΩ B 2 3P SPST (NEON) 125VAC 33KΩ / 250VAC 150KΩ B 9 3P SPST (W/O Lens) (LED) LED Rating @ 10MA V _f =1.85V B 10 3P SPST (LED) LED Rating @ 10MA V _f =1.85V B P 3P SPST (NEON) 125VAC 33KΩ / 250VAC 150KΩ | | | | |
| Momentary / Illuminated / Different button (弹回/带灯/按钮不同) B F 3P SPST (NEON) 125VAC 33KΩ / 250VAC 150KΩ B 2 F 3P SPST (NEON) 125VAC 33KΩ / 250VAC 150KΩ B 9 F 3P SPST (W/O Lens) (LED) LED Rating @ 10MA V _f =1.85V | | | | |
| Different position / Different button (动作特性不同/按钮不同) C 3P SPDT C P 3P SPDT D 3P SPDT D P 3P SPDT | | | | |
| Momentary (弹回) E 2P SPST (OFF) F 2P SPST (ON) G 3P SPDT (ON) H 3P SPDT (ON) I 3P SPDT (ON) | | | | |
| Independent circuit / Different button (独立电路/按钮不同) L 4P SPST (LED) LED Rating @ 10MA V _f =1.85V L P 4P SPST (LED) LED Rating @ 10MA V _f =1.85V L F 4P SPST (LED) LED Rating @ 10MA V _f =1.85V | | | | |
| Waterproof (防水) A 8 2P SPST B 8 3P SPST (NEON) 125VAC 33KΩ / 250VAC 150KΩ B 8 F 3P SPST (NEON) 125VAC 33KΩ / 250VAC 150KΩ C 8 3P SPDT D 8 3P SPDT F 8 2P SPST (ON) | | | | |