



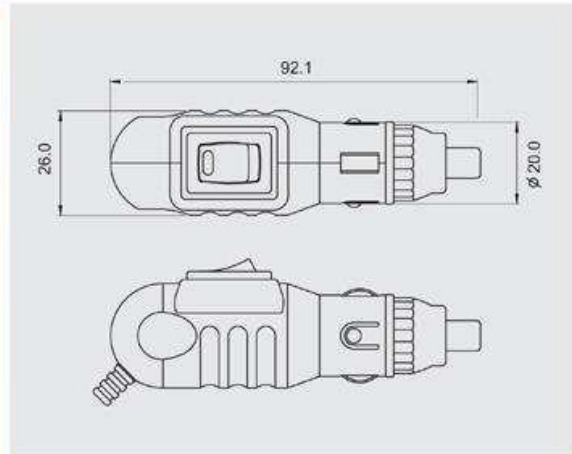
**HESTORE.HU**

elektronikai alkatrész áruház

**EN:** This Datasheet is presented by the manufacturer.

Please visit our website for pricing and availability at [www.hestore.hu](http://www.hestore.hu).

## A13-53 LIGHTER PLUG WITH SWITCH



### FEATURES

- \* RATING : 8A 12V DC
- \* MATERIAL:
  - Housing : ABS ( UL flame: 94-HB 105°C ).
  - Top contact : nickel plated brass.
  - Spring contact : nickel plated spring steel.
- \* Lighter plug with on-off LED illuminated switch.
- \* Fits wire SPT-1 18 AWG max.
- \* With 8A tube fuse max.