



**HESTORE.HU**

elektronikai alkatrész áruház

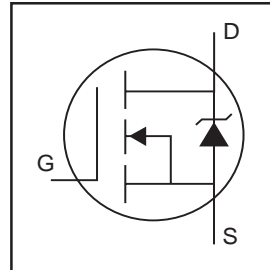
**EN:** This Datasheet is presented by the manufacturer.

Please visit our website for pricing and availability at [www.hestore.hu](http://www.hestore.hu).

# IRFR/U120N

HEXFET® Power MOSFET

- Surface Mount (IRFR120N)
- Straight Lead (IRFU120N)
- Advanced Process Technology
- Fast Switching
- Fully Avalanche Rated

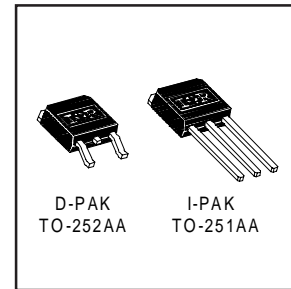


|                           |
|---------------------------|
| $V_{DS} = 100V$           |
| $R_{DS(on)} = 0.21\Omega$ |
| $I_D = 9.4A$              |

## Description

Fifth Generation HEXFETs from International Rectifier utilize advanced processing techniques to achieve the lowest possible on-resistance per silicon area. This benefit, combined with the fast switching speed and ruggedized device design that HEXFET Power MOSFETs are well known for, provides the designer with an extremely efficient device for use in a wide variety of applications.

The D-PAK is designed for surface mounting using vapor phase, infrared, or wave soldering techniques. The straight lead version (IRFU series) is for through-hole mounting applications. Power dissipation levels up to 1.5 watts are possible in typical surface mount applications.



## Absolute Maximum Ratings

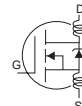
|                           | Parameter                                | Max.         | Units |
|---------------------------|--|--------------|-------|
| $I_D @ T_C = 25^\circ C$  | Continuous Drain Current, $V_{GS} @ 10V$ | 9.4          | A     |
| $I_D @ T_C = 100^\circ C$ | Continuous Drain Current, $V_{GS} @ 10V$ | 6.6          |       |
| $I_{DM}$                  | Pulsed Drain Current ①⑥                  | 38           |       |
| $P_D @ T_C = 25^\circ C$  | Power Dissipation                        | 48           | W     |
|                           | Linear Derating Factor                   | 0.32         | W/°C  |
| $V_{GS}$                  | Gate-to-Source Voltage                   | $\pm 20$     | V     |
| $E_{AS}$                  | Single Pulse Avalanche Energy②⑥          | 91           | mJ    |
| $I_{AR}$                  | Avalanche Current①⑥                      | 5.7          | A     |
| $E_{AR}$                  | Repetitive Avalanche Energy①⑥            | 4.8          | mJ    |
| dv/dt                     | Peak Diode Recovery dv/dt ③              | 5.0          | V/ns  |
| $T_J$                     | Operating Junction and                   | -55 to + 175 | °C    |
| $T_{STG}$                 | Storage Temperature Range                |              |       |
|                           | Soldering Temperature, for 10 seconds    |              |       |

## Thermal Resistance

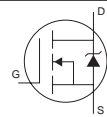
|                 | Parameter                          | Typ. | Max. | Units |
|-----------------|------------------------------------|------|------|-------|
| $R_{\theta JC}$ | Junction-to-Case                   | —    | 3.1  | °C/W  |
| $R_{\theta JA}$ | Junction-to-Ambient (PCB mount) ** | —    | 50   |       |
| $R_{\theta JA}$ | Junction-to-Ambient                | —    | 110  |       |

**Electrical Characteristics @ T<sub>J</sub> = 25°C (unless otherwise specified)**

|                                      | Parameter                            | Min. | Typ. | Max. | Units                                 | Conditions  |
|--------------------------------------|--------------------------------------|------|------|------|---------------------------------------|---|
| V <sub>(BR)DSS</sub>                 | Drain-to-Source Breakdown Voltage    | 100  | —    | —    | V                                     | V <sub>GS</sub> = 0V, I <sub>D</sub> = 250μA                        |
| ΔV <sub>(BR)DSS/ΔT<sub>J</sub></sub> | Breakdown Voltage Temp. Coefficient  | —    | 0.12 | —    | V/°C                                  | Reference to 25°C, I <sub>D</sub> = 1mA                             |
| R <sub>DS(on)</sub>                  | Static Drain-to-Source On-Resistance | —    | —    | 0.21 |                                       | V <sub>GS</sub> = 10V, I <sub>D</sub> = 5.6A ④                      |
| V <sub>GS(th)</sub>                  | Gate Threshold Voltage               | 2.0  | —    | 4.0  | V                                     | V <sub>DS</sub> = V <sub>GS</sub> , I <sub>D</sub> = 250μA          |
| g <sub>fs</sub>                      | Forward Transconductance             | 2.7  | —    | —    | S                                     | V <sub>DS</sub> = 25V, I <sub>D</sub> = 5.7A⑥                       |
| I <sub>DSS</sub>                     | Drain-to-Source Leakage Current      | —    | —    | 25   | μA                                    | V <sub>DS</sub> = 100V, V <sub>GS</sub> = 0V                        |
|                                      |                                      | —    | —    | 250  |                                       | V <sub>DS</sub> = 80V, V <sub>GS</sub> = 0V, T <sub>J</sub> = 150°C |
| I <sub>GSS</sub>                     | Gate-to-Source Forward Leakage       | —    | —    | 100  | nA                                    | V <sub>GS</sub> = 20V   |
|                                      | Gate-to-Source Reverse Leakage       | —    | —    | -100 |                                       | V <sub>GS</sub> = -20V  |
| Q <sub>g</sub>                       | Total Gate Charge                    | —    | —    | 25   | nC                                    | I <sub>D</sub> = 5.7A   |
| Q <sub>gs</sub>                      | Gate-to-Source Charge                | —    | —    | 4.8  |                                       | V <sub>DS</sub> = 80V   |
| Q <sub>gd</sub>                      | Gate-to-Drain ("Miller") Charge      | —    | —    | 11   |                                       | V <sub>GS</sub> = 10V, See Fig. 6 and 13 ④⑥                         |
| t <sub>d(on)</sub>                   | Turn-On Delay Time                   | —    | 4.5  | —    |                                       | ns  |
| t <sub>r</sub>                       | Rise Time                            | —    | 23   | —    | I <sub>D</sub> = 5.7A                 |   |
| t <sub>d(off)</sub>                  | Turn-Off Delay Time                  | —    | 32   | —    | R <sub>G</sub> = 22Ω                  |   |
| t <sub>f</sub>                       | Fall Time                            | —    | 23   | —    | R <sub>D</sub> = 8.6Ω, See Fig. 10 ④⑥ |   |
| L <sub>D</sub>                       | Internal Drain Inductance            | —    | 4.5  | —    | nH                                    | Between lead, 6mm (0.25in.) from package and center of die contact⑤ |
| L <sub>S</sub>                       | Internal Source Inductance           | —    | 7.5  | —    |                                       |   |
| C <sub>iss</sub>                     | Input Capacitance                    | —    | 330  | —    | pF                                    | V <sub>GS</sub> = 0V  |
| C <sub>oss</sub>                     | Output Capacitance                   | —    | 92   | —    |                                       | V <sub>DS</sub> = 25V   |
| C <sub>rss</sub>                     | Reverse Transfer Capacitance         | —    | 54   | —    |                                       | f = 1.0MHz, See Fig. 5⑥   |



**Source-Drain Ratings and Characteristics**

|                 | Parameter                              | Min.   | Typ. | Max. | Units | Conditions   |
|-----------------|--|--|------|------|-------|--|
| I <sub>S</sub>  | Continuous Source Current (Body Diode) | —  | —    | 9.4  | A     | MOSFET symbol showing the integral reverse p-n junction diode.  |
| I <sub>SM</sub> | Pulsed Source Current (Body Diode) ①⑥  | —  | —    | 38   |       |  |
| V <sub>SD</sub> | Diode Forward Voltage                  | —  | —    | 1.3  | V     | T <sub>J</sub> = 25°C, I <sub>S</sub> = 5.5A, V <sub>GS</sub> = 0V ④   |
| t <sub>rr</sub> | Reverse Recovery Time                  | —  | 99   | 150  | ns    | T <sub>J</sub> = 25°C, I <sub>F</sub> = 5.7A   |
| Q <sub>rr</sub> | Reverse Recovery Charge                | —  | 390  | 580  | nC    | di/dt = 100A/μs ④⑥   |
| t <sub>on</sub> | Forward Turn-On Time                   | Intrinsic turn-on time is negligible (turn-on is dominated by L <sub>S</sub> +L <sub>D</sub> ) |      |      |       |  |

**Notes:**

- ① Repetitive rating; pulse width limited by max. junction temperature. ( See fig. 11 )
- ② V<sub>DD</sub> = 25V, starting T<sub>J</sub> = 25°C, L = 4.7mH R<sub>G</sub> = 25Ω, I<sub>AS</sub> = 5.7A. (See Figure 12)
- ③ I<sub>SD</sub> ≤ 5.7A, di/dt ≤ 240A/μs, V<sub>DD</sub> ≤ V<sub>(BR)DSS</sub>, T<sub>J</sub> ≤ 175°C
- ④ Pulse width ≤ 300μs; duty cycle ≤ 2%
- ⑤ This is applied for I-PAK, L<sub>s</sub> of D-PAK is measured between lead and center of die contact
- ⑥ Uses IRF520N data and test conditions

\*\* When mounted on 1" square PCB (FR-4 or G-10 Material ) .  
For recommended footprint and soldering techniques refer to application note #AN-994

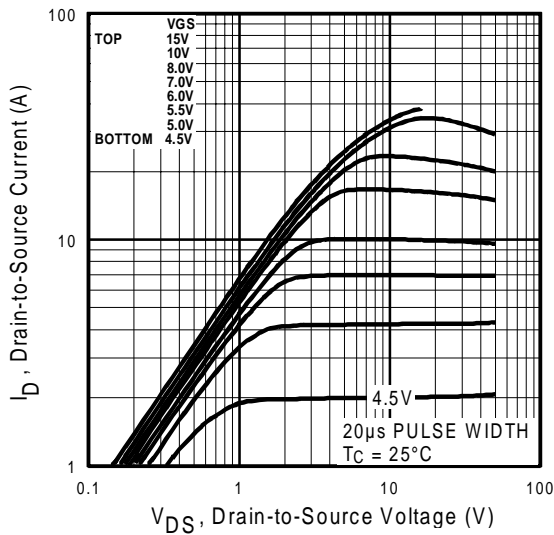


Fig 1. Typical Output Characteristics

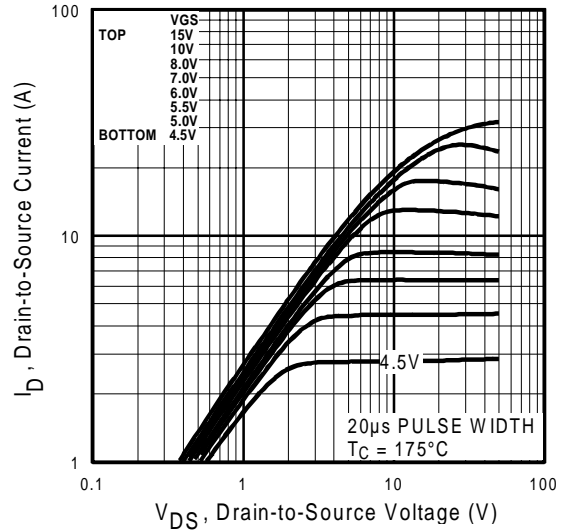


Fig 2. Typical Output Characteristics

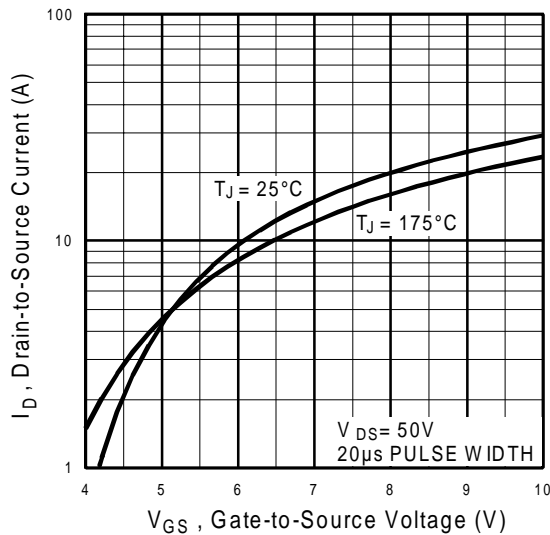


Fig 3. Typical Transfer Characteristics

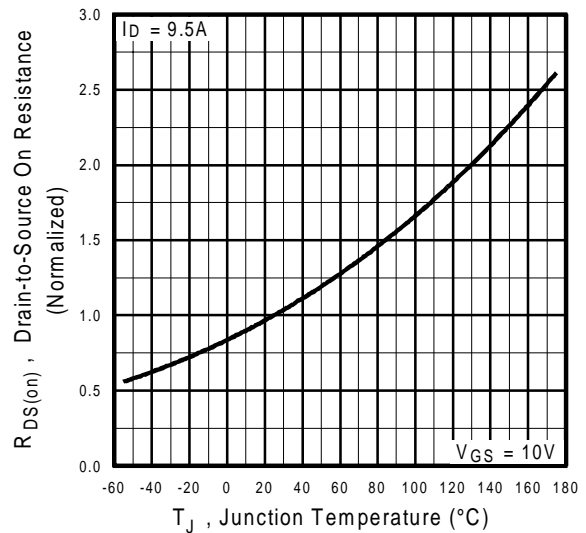
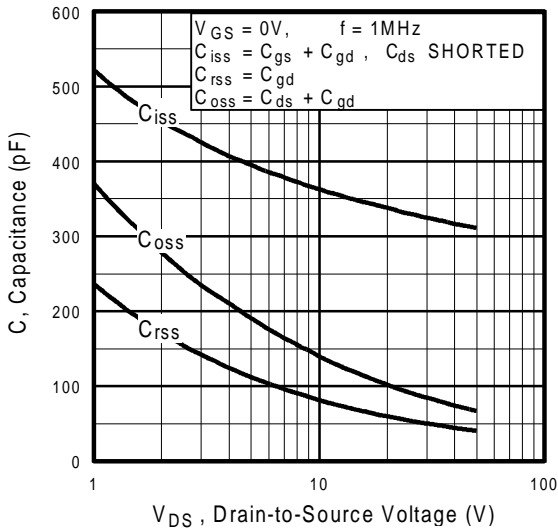
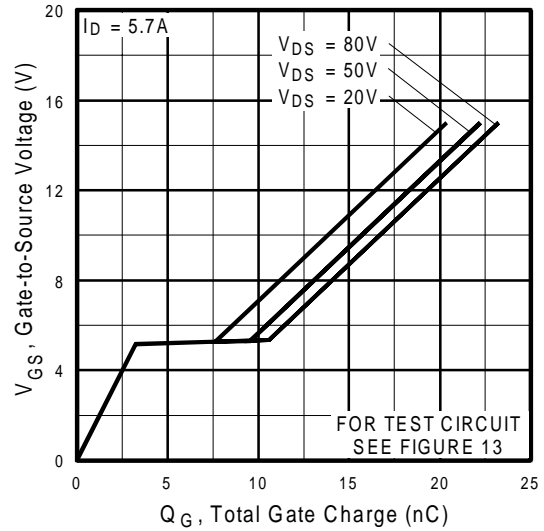


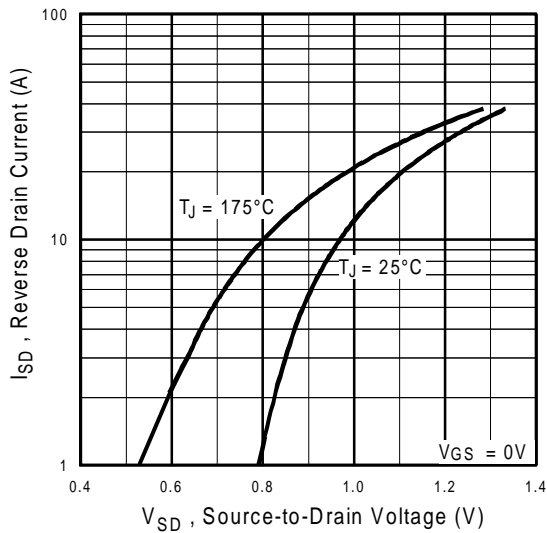
Fig 4. Normalized On-Resistance Vs. Temperature



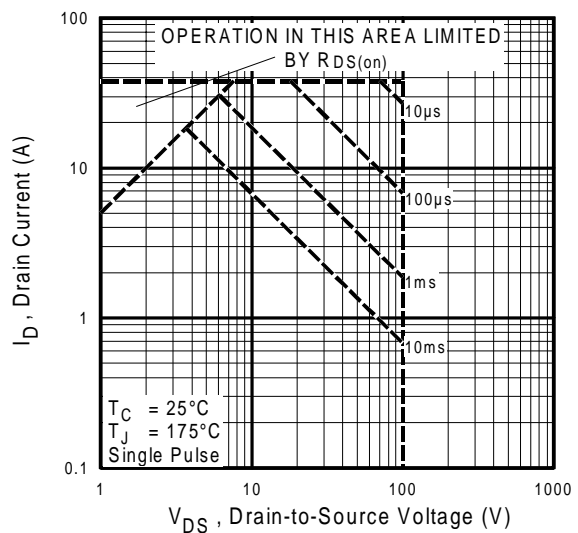
**Fig 5.** Typical Capacitance Vs. Drain-to-Source Voltage



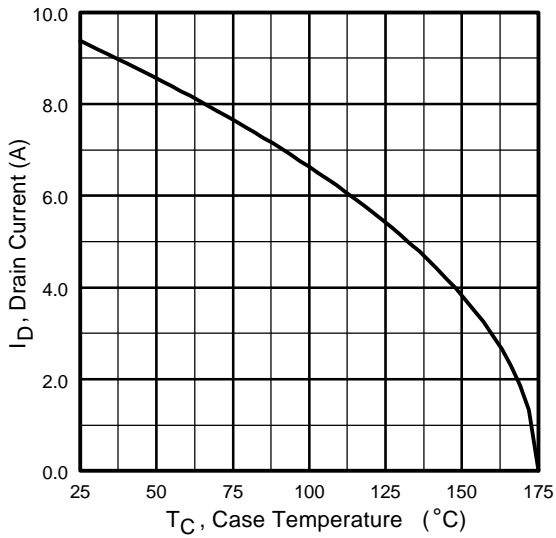
**Fig 6.** Typical Gate Charge Vs. Gate-to-Source Voltage



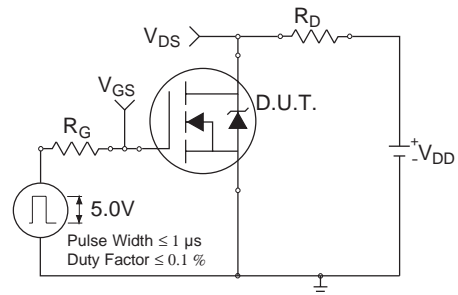
**Fig 7.** Typical Source-Drain Diode Forward Voltage



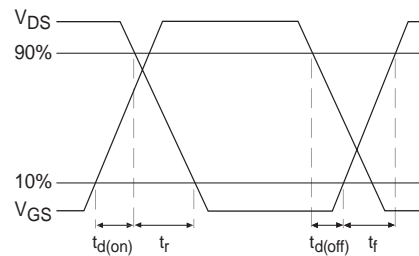
**Fig 8.** Maximum Safe Operating Area



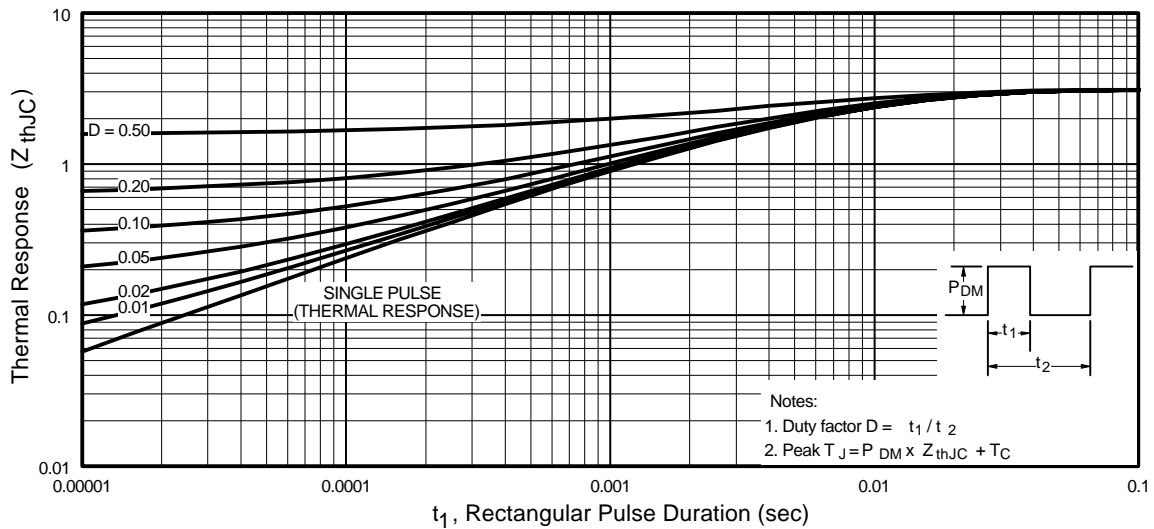
**Fig 9.** Maximum Drain Current Vs. Case Temperature



**Fig 10a.** Switching Time Test Circuit



**Fig 10b.** Switching Time Waveforms



**Fig 11.** Maximum Effective Transient Thermal Impedance, Junction-to-Case

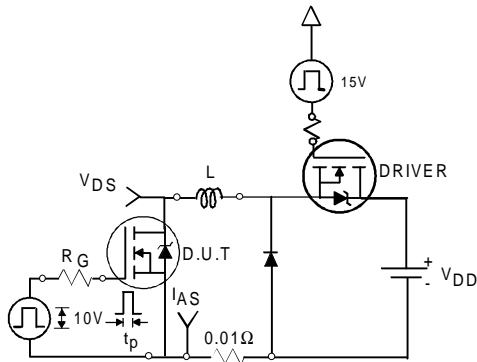


Fig 12a. Unclamped Inductive Test Circuit

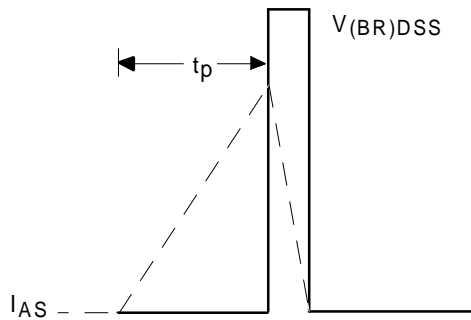


Fig 12b. Unclamped Inductive Waveforms

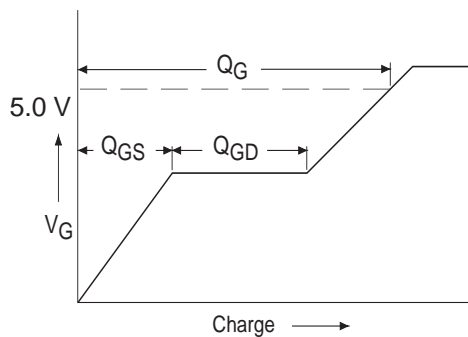


Fig 13a. Basic Gate Charge Waveform

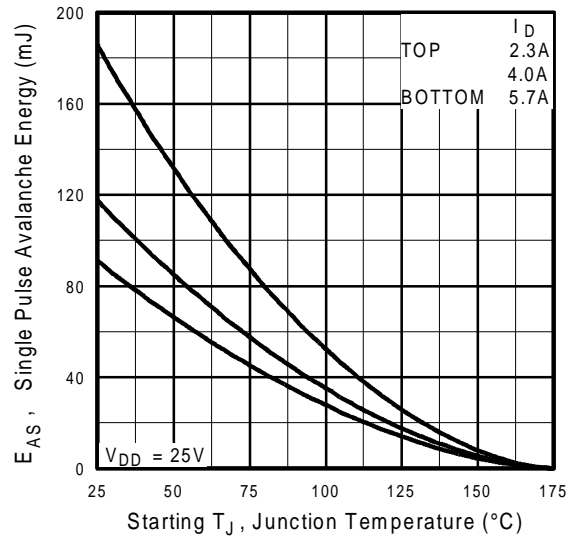


Fig 12c. Maximum Avalanche Energy Vs. Drain Current

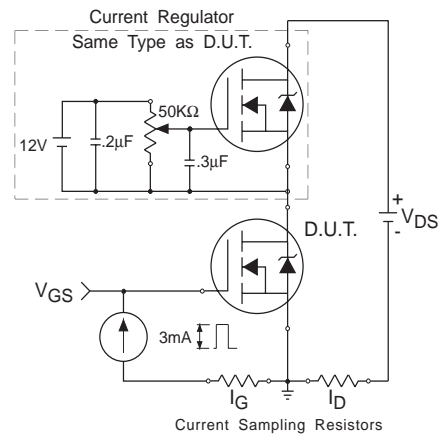
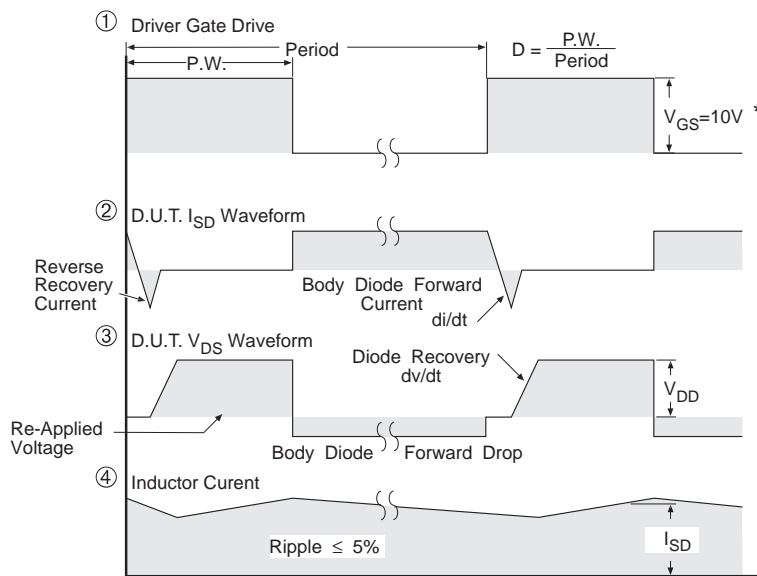
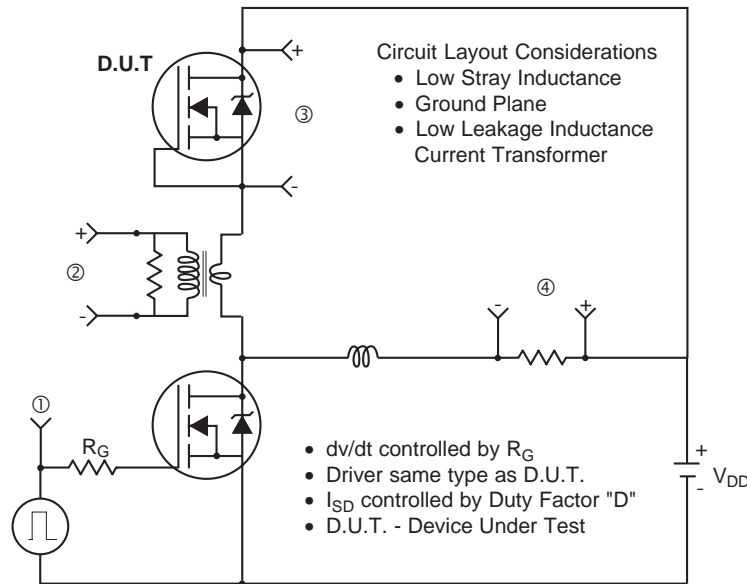


Fig 13b. Gate Charge Test Circuit

### Peak Diode Recovery dv/dt Test Circuit



\*  $V_{GS} = 5V$  for Logic Level Devices

**Fig 14.** For N-Channel HEXFETS

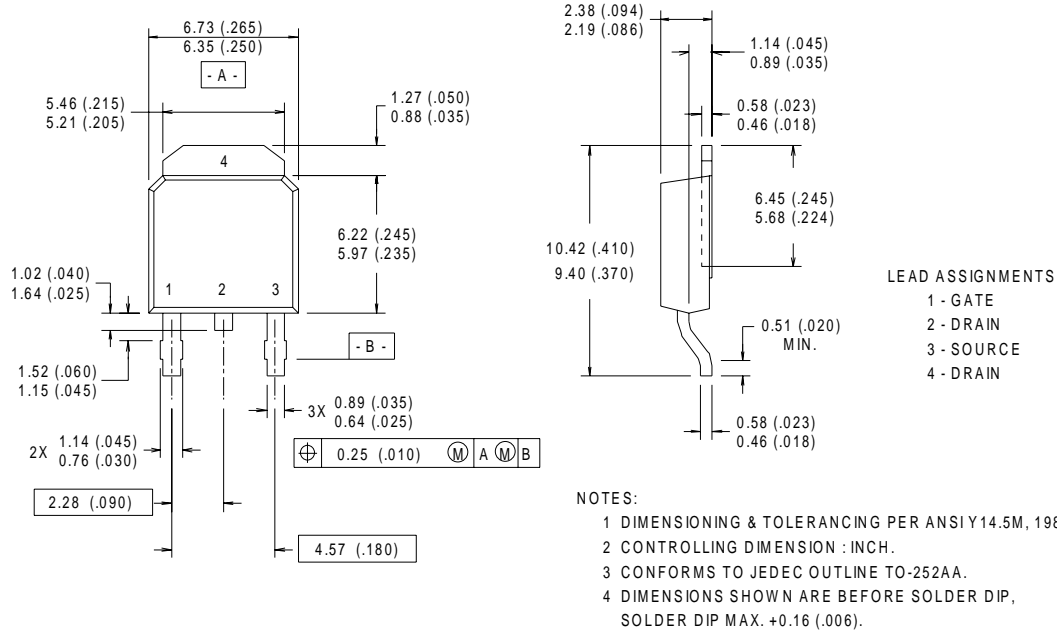


# IRFR/U120N

## Package Outline

### TO-252AA Outline

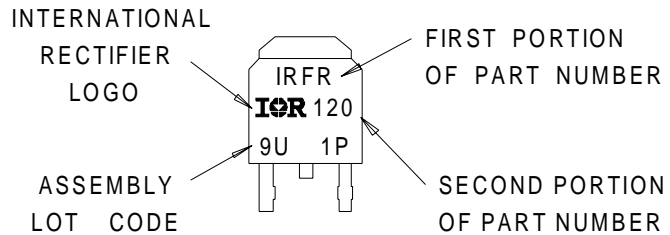
Dimensions are shown in millimeters (inches)



## Part Marking Information

### TO-252AA (D-PARK)

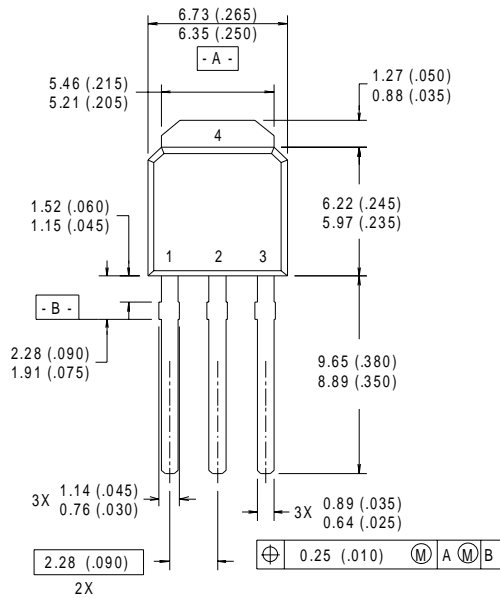
EXAMPLE : THIS IS AN IRFR120  
WITH ASSEMBLY  
LOT CODE 9U1P



## Package Outline

### TO-251AA Outline

Dimensions are shown in millimeters (inches)



#### LEAD ASSIGNMENTS

- 1 - GATE
- 2 - DRAIN
- 3 - SOURCE
- 4 - DRAIN

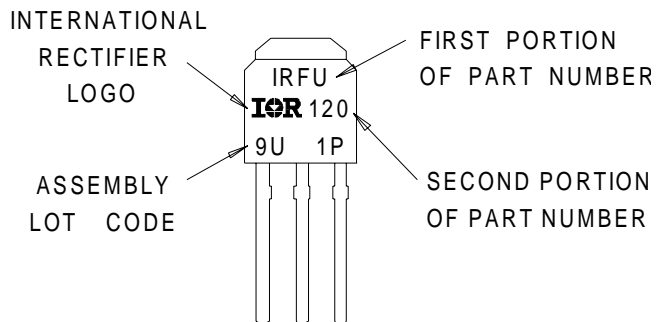
#### NOTES:

- 1 DIMENSIONING & TOLERANCING PER ANSII Y14.5M, 1982.
- 2 CONTROLLING DIMENSION : INCH.
- 3 CONFORMS TO JEDEC OUTLINE TO-252AA.
- 4 DIMENSIONS SHOWN ARE BEFORE SOLDER DIP, SOLDER DIP MAX. +0.16 (.006).

## Part Marking Information

### TO-251AA (I-PARK)

EXAMPLE : THIS IS AN IRFU120  
 WITH ASSEMBLY  
 LOT CODE 9U1P

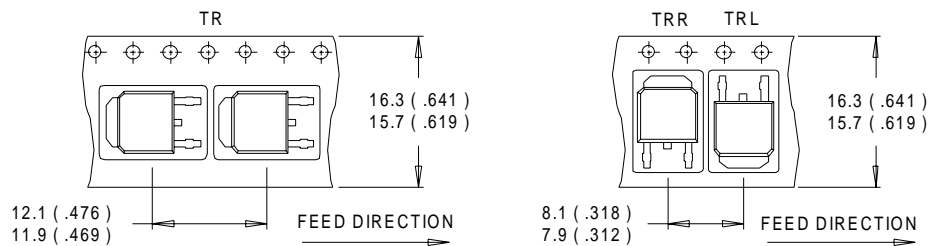


# IRFR/U120N

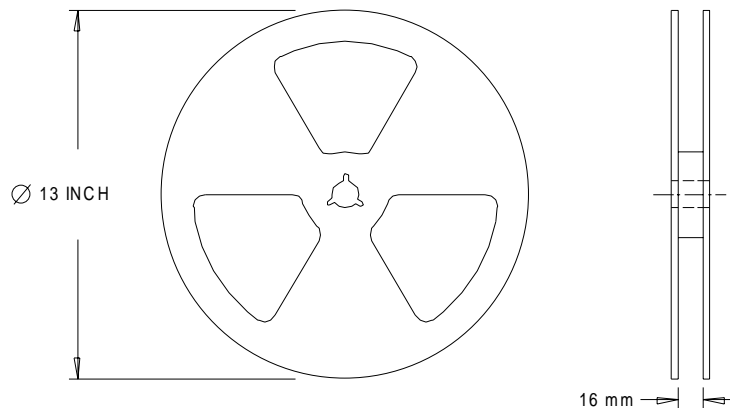
International  
**IR** Rectifier

## Tape & Reel Information

TO-252AA



- NOTES :
1. CONTROLLING DIMENSION : MILLIMETER.
  2. ALL DIMENSIONS ARE SHOWN IN MILLIMETERS ( INCHES ).
  3. OUTLINE CONFORMS TO EIA-481 & EIA-541.



- NOTES :
1. OUTLINE CONFORMS TO EIA-481.

International  
**IR** Rectifier

**WORLD HEADQUARTERS:** 233 Kansas St., El Segundo, California 90245, Tel: (310) 322 3331  
**EUROPEAN HEADQUARTERS:** Hurst Green, Oxted, Surrey RH8 9BB, UK Tel: ++ 44 1883 732020

**IR CANADA:** 15 Lincoln Court, Brampton, Ontario L6T 3Z2, Tel: (905) 453 2200

**IR GERMANY:** Saalburgstrasse 157, 61350 Bad Homburg Tel: ++ 49 6172 96590

**IR ITALY:** Via Liguria 49, 10071 Borgaro, Torino Tel: ++ 39 11 451 0111

**IR FAR EAST:** 171 (K&H Bldg.) 30-4 Nishi-ikebukuro 3-chome, Toshima-ku, Tokyo Japan Tel: 81 33 983 0086

**IR SOUTHEAST ASIA:** 315 Outram Road, #10-02 Tan Boon Liat Building, Singapore 16907 Tel: 65 221 8371

*Data and specifications subject to change without notice.*

5/98

Note: For the most current drawings please refer to the IR website at:  
<http://www.irf.com/package/>