



HESTORE.HU

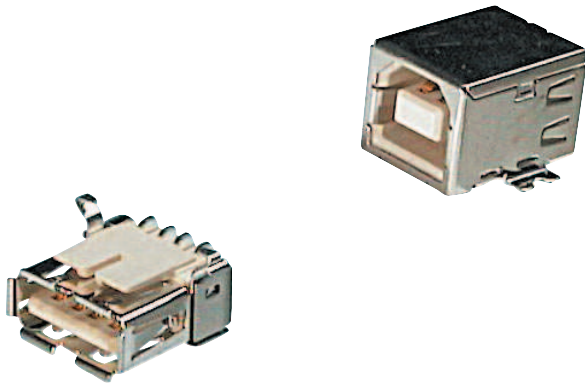
elektronikai alkatrész áruház

EN: This Datasheet is presented by the manufacturer.

Please visit our website for pricing and availability at www.hestore.hu.

USB, Ausführung A + B, gewinkelt, SMD

USB, version A + B, angled, SMD



Isolierkörper

Nylon PA9T

Kontakte

Phosphorbronze, t=0.25mm

Gehäuse

Messing t=0.3mm
Oberfläche: Vernickelt

Durchschlagsspannung

500V AC (1min)

Isolationswiderstand

1000MΩ min.

Nennspannung und Strom

1.5A bei 250V AC minimum

Insulator

Nylon PA9T

Contacts

Phosphorbronze, t=0.25mm

Shell

Brass t=0.3
Finish: Nickel Plated

Withstanding voltage

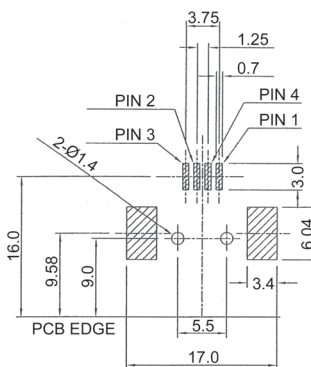
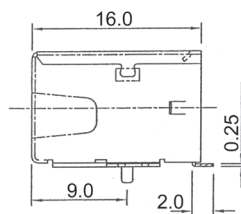
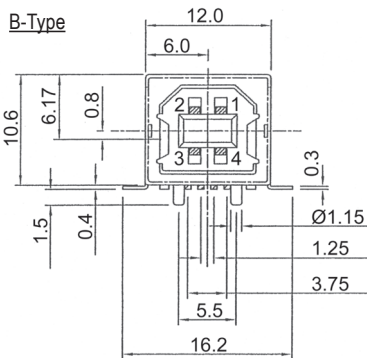
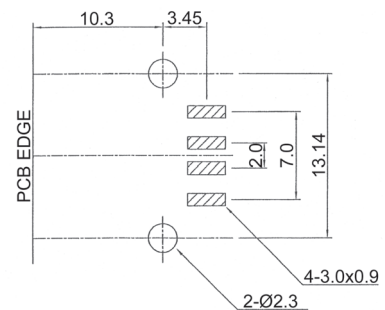
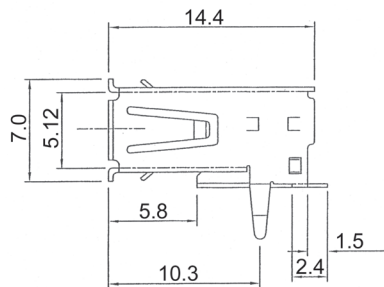
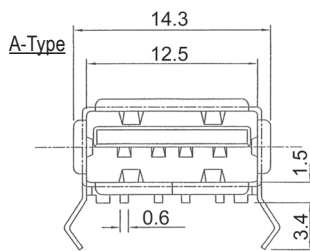
500V AC (1min)

Insulation resistance

1000MΩ min.

Rated voltage and current

1.5A at 250V AC minimum



Bestellcode : **A - USB - x / SMT - x**
Ordercode :

Bitte „x“ durch die unten geeignete Optionen ersetzen
Please replace „x“ with appropriate options listed below

1.

Ausführung

A -Bauform A
B -Bauform B

Version

A -Type A
B -Type B

2.

Verpackung

- -Tray
R -Rolle

Packing

- -Tray
R -Reel

D-Sub / Hoods
Centronics

Multiflex

Modular

USB

Switches

Powersockets
Powersockets

MiniDIN

DIN4161x
Hardmetric

Sockets + Strips
Jumper