



**HESTORE.HU**

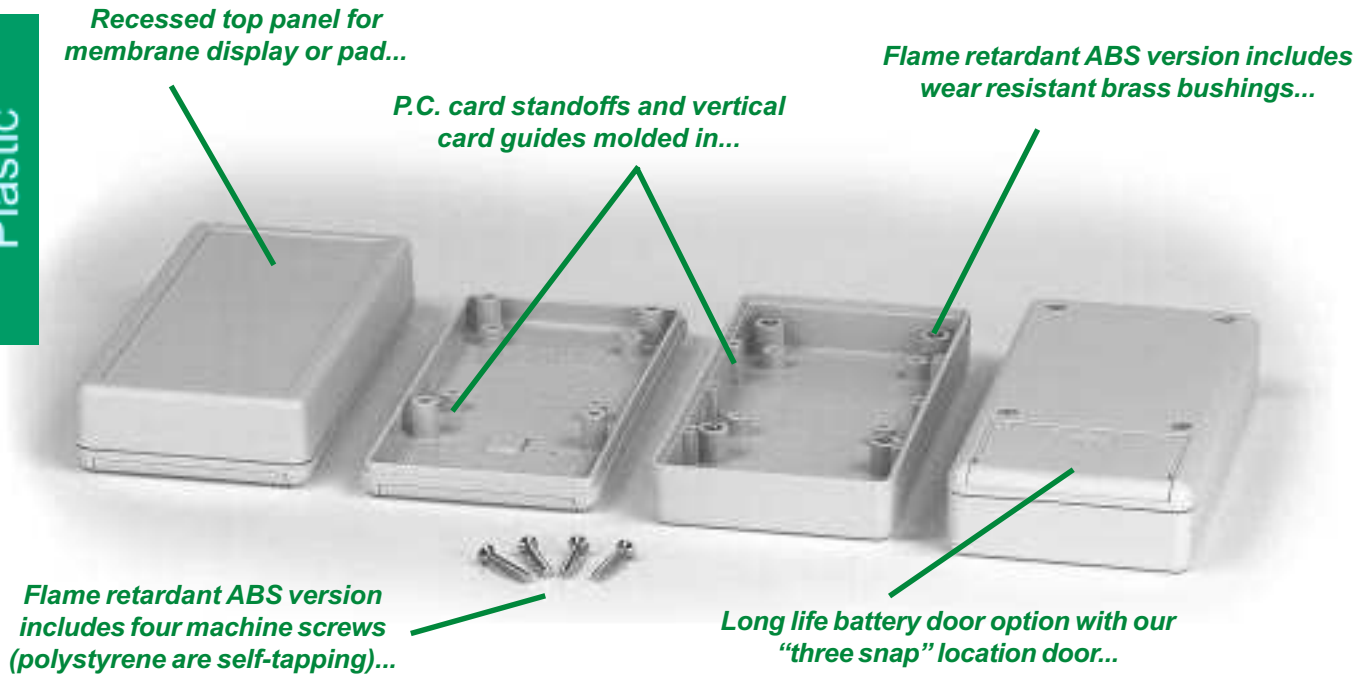
elektronikai alkatrész áruház

**EN:** This Datasheet is presented by the manufacturer.

Please visit our website for pricing and availability at [www.hestore.hu](http://www.hestore.hu).

# Hand Held (1599 Series)

Plastic



## OTHER KEY FEATURES

- Attractively styled and ergonomically designed for use as a "hand-held" instrument enclosure.
- Lap joint construction provides protection against access of dust and splashing water.
- Extra deep top and ultra shallow base are specifically designed to enhance the aesthetics of the enclosure and provide the user with flexibility and assembly efficiency.
- Designed to meet IP54.
- Accessory screws for mounting P.C. boards into standoffs P/N **1593ATS50** (qty. 50), P/N **1593ATS100** (qty. 100).
- Two keyhole knockouts are molded into the inside of the base to facilitate wall mounting installation.

### Fire Retardant ABS Plastic

Part Number	See Size Chart	Color	Battery Door	Belt Clip	Shielded
<b>1599BBK</b>	1599B	Black	-	-	-
<b>1599BGY</b>	1599B	Grey	-	-	-
<b>1599RBBK</b>	1599B	Black	-	-	Yes
<b>1599BBKBAT</b>	1599B	Black	Yes	-	-
<b>1599BGYBAT</b>	1599B	Grey	Yes	-	-
<b>1599BBKCP</b>	1599B	Black	-	Yes	-
<b>1599BGYCP</b>	1599B	Grey	-	Yes	-
<b>1599BBKBATCP</b>	1599B	Black	Yes	Yes	-
<b>1599BGYBATCP</b>	1599B	Grey	Yes	Yes	-
<b>1599EBK</b>	1599E	Black	-	-	-
<b>1599EGY</b>	1599E	Grey	-	-	-
<b>1599REBK</b>	1599E	Black	-	-	Yes
<b>1599EBKBAT</b>	1599E	Black	Yes	-	-
<b>1599EGYBAT</b>	1599E	Grey	Yes	-	-
<b>1599HBK</b>	1599H	Black	-	-	-
<b>1599HGY</b>	1599H	Grey	-	-	-
<b>1599RHBK</b>	1599H	Black	-	-	Yes
<b>1599HBKBAT</b>	1599H	Black	Yes	-	-
<b>1599HGYBAT</b>	1599H	Grey	Yes	-	-
<b>1599KBK</b>	1599K	Black	-	-	-
<b>1599KGY</b>	1599K	Grey	-	-	-
<b>1599KBKBAT</b>	1599K	Black	Yes	-	-
<b>1599KGYBAT</b>	1599K	Grey	Yes	-	-

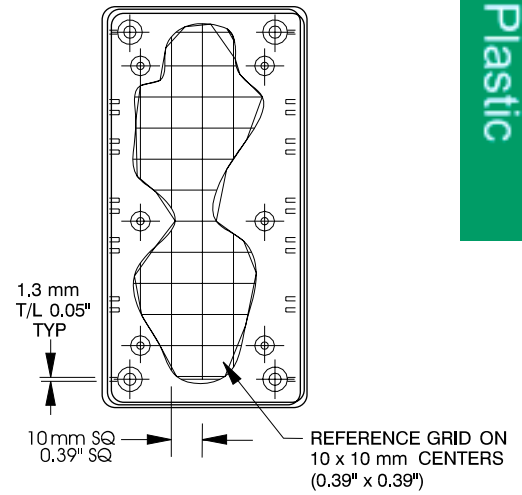
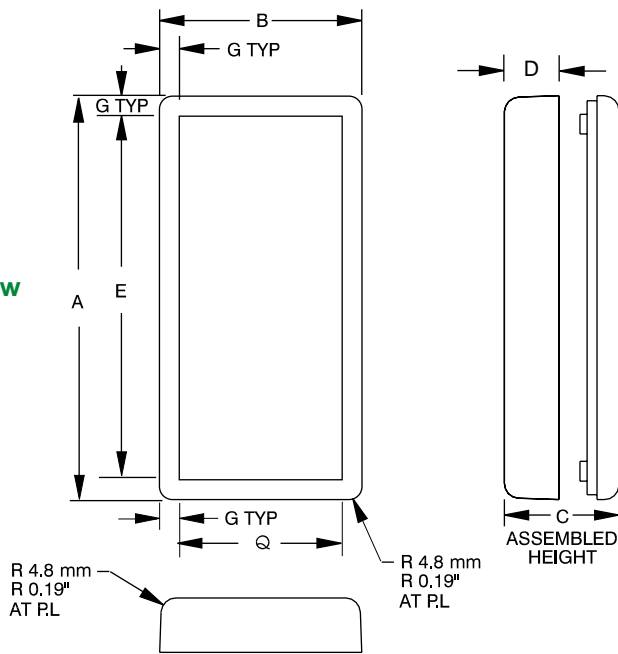
### Polystyrene

Part Number	See Size Chart	Color	Battery Door
<b>1599BSGY</b>	1599B	Grey	-
<b>1599BSGYBAT</b>	1599B	Grey	Yes
<b>1599ESGY</b>	1599E	Grey	-
<b>1599ESGYBAT</b>	1599E	Grey	Yes
<b>1599HSGY</b>	1599H	Grey	-
<b>1599HSGYBAT</b>	1599H	Grey	Yes
<b>1599KSGY</b>	1599K	Grey	-
<b>1599KSGYBAT</b>	1599K	Grey	Yes

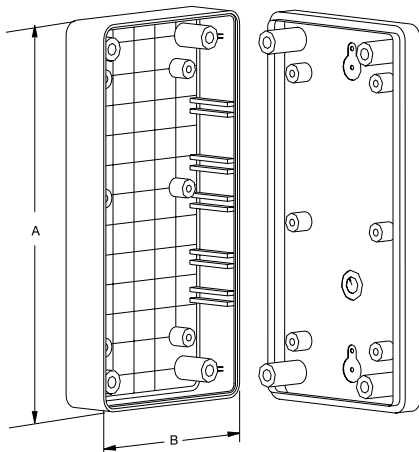
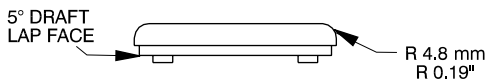
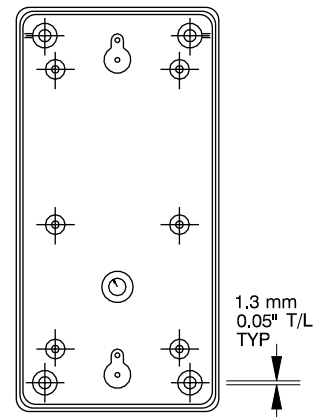
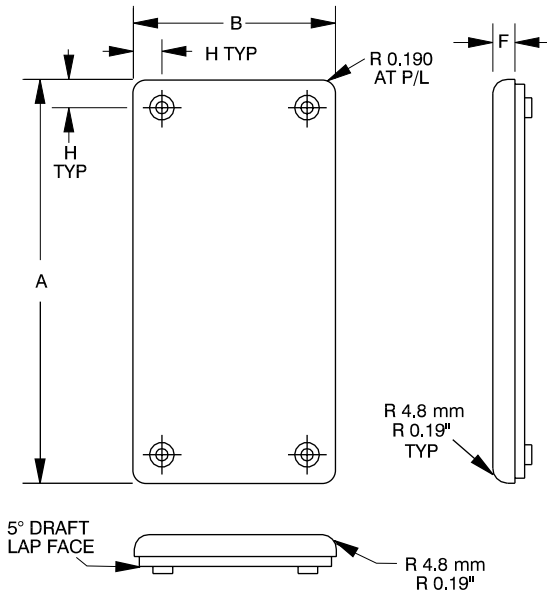
# Hand Held (1599 Series)

Plastic

Body View



Lid View



## SIZE CHART

Part Number	Units	Dimensions							
		A	B	C	D	F	G	Q	E
1599B	inch	5.12	2.56	0.98	0.69	.28	.24	2.06	4.62
	mm	130	65	25	17.5	7	6	52.2	117.2
1599E	inch	6.7	3.35	1.33	1.02	.31	.24	2.81	6.16
	mm	170	85	34	26	8	6	71	157
1599H	inch	8.66	4.33	1.73	1.38	.35	.24	3.73	8.06
	mm	220	110	44	35	9	6	94.8	204.8
1599K	inch	8.66	5.51	1.58	1.19	.35	.24	4.98	8.11
	mm	220	140	40	30	9	6	126	206



Hammond Manufacturing Co. Ltd.  
394 Edinburgh Rd. North  
Guelph, Ontario N1H 1E5 CANADA  
© Phone: 519-822-2960 Fax: 519-822-0715



Hammond Manufacturing Co. Inc.  
256 Sonwil Dr.  
Cheektowaga, NY 14225 USA  
Phone: 716-651-0086 Fax: 716-651-0726

# Accessories (1599 Series)

## ACCESSORIES

Plastic



### Replacement Screws for ABS

Machine screw, used in flame retardant ABS 1599B series (ie...with brass inserts).

M3 - 0.5 x 20 mm

**1594MS100** - Package of 100

Machine screw, used in flame retardant ABS 1599E, H & K series (ie...with brass inserts).

M3 - 0.5 x 10 mm

**1591MS100** - Package of 100



### Replacement Screws for Polystyrene

Self-tapping type, used in polystyrene 1599BS series (ie...no brass inserts).

# 4 x 3/4"

**1599BTS100** - Package of 100

Self-tapping type, used in polystyrene 1599ES, HS & KS series (ie...no brass inserts). # 4 x 5/8"

**1598TS100** - Package of 100

### Battery Holder Kits

- Designed for our battery door enclosures.
- Kits include all the parts required to install the battery or batteries.
- Kit includes the battery holder, wires, divider and foam anti-rattle pad.

Part Number	Battery holder kit for:	Fits Battery Door Enclosure Size:
<b>BH1AAWKIT</b>	1 AA Cell	B and E
<b>BH2AAWKIT</b>	2 AA Cells	B and E
<b>BH1AAAWKIT</b>	1 AAA Cell	B and E
<b>BH2AAAWKIT</b>	2 AAA Cells	B and E
<b>BH3AAAWKIT</b>	3 AAA Cells	E size only
<b>BH4AAAWKIT</b>	4 AAA Cells	E size only
<b>BS61KIT</b>	1 - 9V Cell	B and E

Nylon screws for electrical insulation and strength...



High strength nylon clip for belt or pocket...

### Belt or Pocket Clip (for hand held)

Molded from tough nylon, includes 2 nylon screws and mounting template.

Black - **1599CLIP**

Grey - **1599CLIPGY**

### P.C. Board Mounting Screws

Self-tapping type, used for bosses in the 1599 series for P.C. board installation. # 4 x 1/4" (6.4 mm)

**1593ATS50** - Package of 50

**1593ATS100** - Package of 100



### Battery Dividers (for hand held)

Grey ABS plastic panel barriers which insert vertically into the P.C. card guides of the 1599B series.

**1599BD5** - Package of 5

**1599BD100** - Package of 100

Grey ABS plastic panel barriers which insert vertically into the P.C. card guides of the 1599E series.

**1599ED5** - Package of 5

**1599ED100** - Package of 100

Grey ABS plastic panel barriers which insert vertically into the P.C. card guides of the 1599H series.

**1599HD5** - Package of 5

**1599HD100** - Package of 100



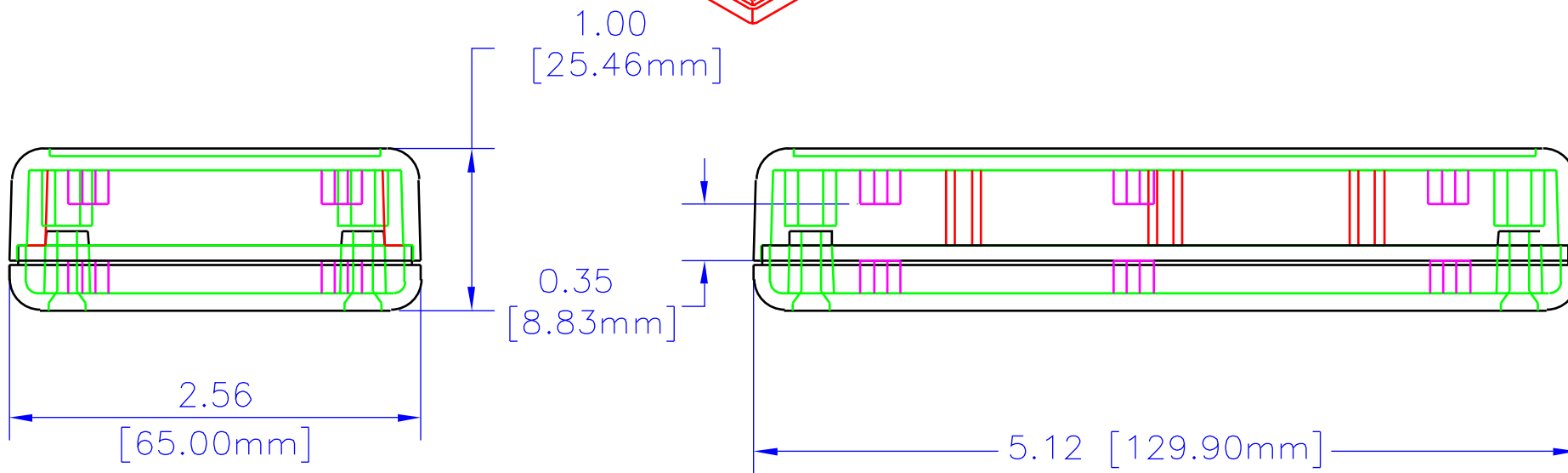
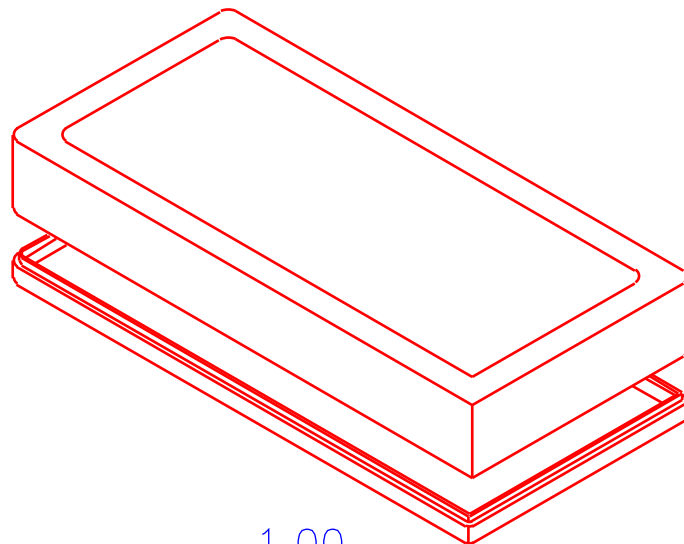
REV	DESCRIPTION	DATE

## NOTES

**MATERIAL** (ABS) FLAME RETARDANT UL94 VO MATERIAL WITH BRASS INSERTS IN CORNER POSTS,  
(STYRENE) IS NON-FLAME RETARDANT WITHOUT BRASS INSERTS.

**PARTS** (ABS) VERSION MACHINE SCREWS M3-0,5 x 28mm,  
REPLACEMENT PN 1599HMS100 (100 / BAG), (STYRENE)  
VERSION SELF TAPPING #4 x 1,3125",  
REPLACEMENT PN 1599HTS100 (100 / BAG).

**COLORS** (ABS) BLACK, & GRAY, (STYRENE) GRAY ONLY.



ASSEMBLED

UNLESS OTHERWISE SPECIFIED  
DIMENSIONS ARE IN INCHES.  
X +/- .1  
XX +/- .02  
XXX +/- .015  
SLITS +/- .005  
ANGLES +/- .5 DEG.  
NOTES:  
HAMMOND LEAVES PROPRIETARY RIGHTS TO  
THE MATERIAL ON THIS DRAWING. IT IS  
INTENDED TO BE USED AS A REFERENCE FOR  
ENGINEERING INFORMATION ONLY. THE  
INFORMATION MAY NOT BE USED TO  
MANUFACTURE PRODUCTS WITHOUT WRITTEN  
PERMISSION FROM HAMMOND MANUFACTURING.

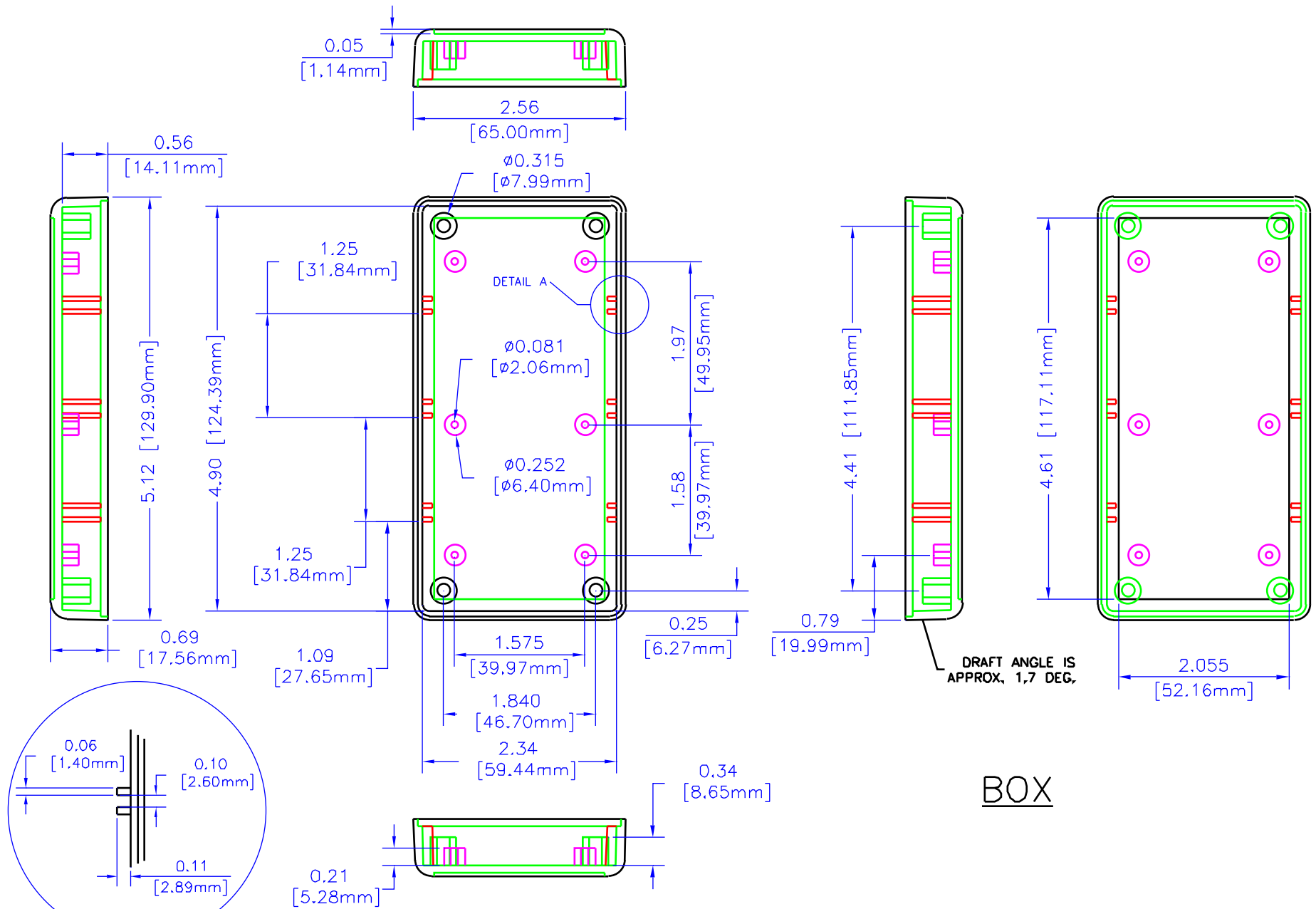


**HAMMOND  
MANUFACTURING**

WEB: [WWW.HAMMONDMFG.COM](http://WWW.HAMMONDMFG.COM)

TITLE HAMMOND 1599 SERIES  
PLASTIC ENCLOSURE  
DRAWN BY MJM DATE 07/30/01  
SCALE PAGE 1 OF 3  
PART NUMBER 1599B

# NOTES



BOX

UNLESS OTHERWISE SPECIFIED  
DIMENSIONS ARE IN INCHES.  
X +/- .1  
XX +/- .02  
XXX +/- .015  
SLITS +/- .005  
ANGLES +/- .5 DEG.  
INCLUDE:  
HAMMOND MANUFACTURING PROPRIETARY RIGHTS TO THE MATERIAL ON THIS DRAWING. IT IS INTENDED TO BE USED AS A REFERENCE FOR ENGINEERING INFORMATION ONLY. THE INFORMATION MAY NOT BE USED TO MANUFACTURE PRODUCT WITHOUT WRITTEN PERMISSION FROM HAMMOND MANUFACTURING.

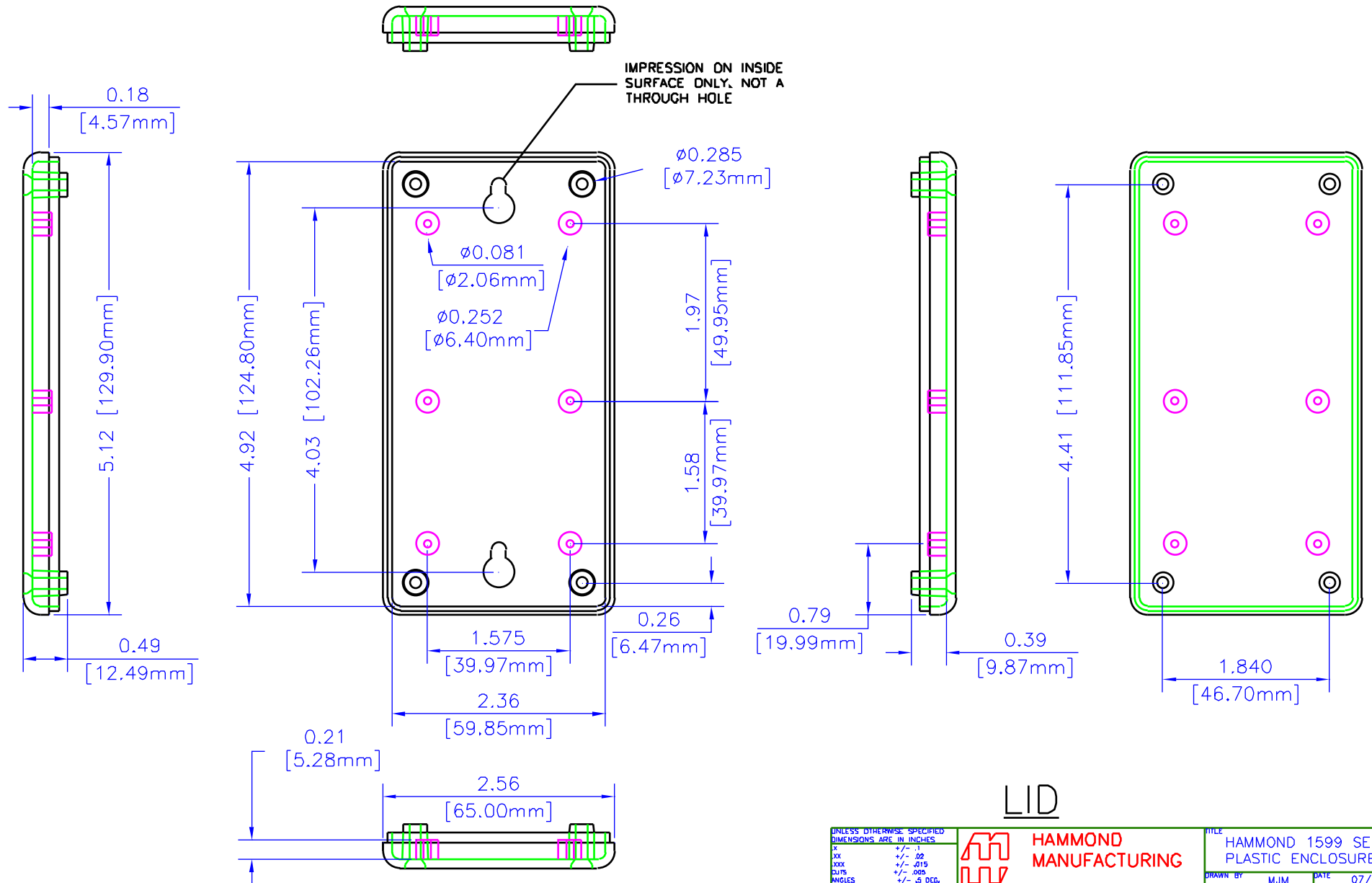


**HAMMOND  
MANUFACTURING**

WEB: [WWW.HAMMONDMFG.COM](http://WWW.HAMMONDMFG.COM)

TITLE		HAMMOND 1599 SERIES PLASTIC ENCLOSURE	
DRAWN BY	MJM	DATE	07/30/01
SCALE		PAGE	2 OF 3
PART NUMBER	1599B		

# NOTES



LID

UNLESS OTHERWISE SPECIFIED  
DIMENSIONS ARE IN INCHES.  
X +/- .1  
XX +/- .02  
XXX +/- .015  
SLITS +/- .005  
ANGLES +/- .5 DEG.  
INCLUDE:  
HAMMOND MANUFACTURING PROPRIETARY RIGHTS TO THE MATERIAL ON THIS DRAWING IS RESERVED TO BE USED AS A REFERENCE FOR ENGINEERING INFORMATION ONLY. THE INFORMATION MAY NOT BE USED TO MANUFACTURE PRODUCT WITHOUT WRITTEN PERMISSION FROM HAMMOND MANUFACTURING.



**HAMMOND  
MANUFACTURING**

WEB: [WWW.HAMMONDMFG.COM](http://WWW.HAMMONDMFG.COM)

TITLE		HAMMOND 1599 SERIES PLASTIC ENCLOSURE	
DRAWN BY	MJM	DATE	07/30/01
SCALE		PAGE	3 OF 3
PART NUMBER	1599B		