



**HESTORE.HU**

elektronikai alkatrész áruház

**EN:** This Datasheet is presented by the manufacturer.

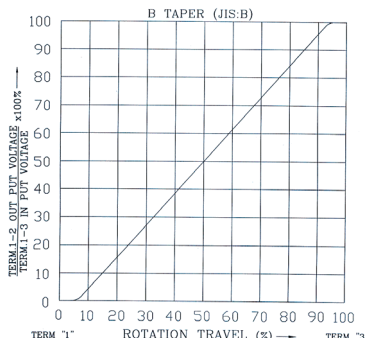
Please visit our website for pricing and availability at [www.hestore.hu](http://www.hestore.hu).

## Rotary 16mm size metal shaft potentiometers

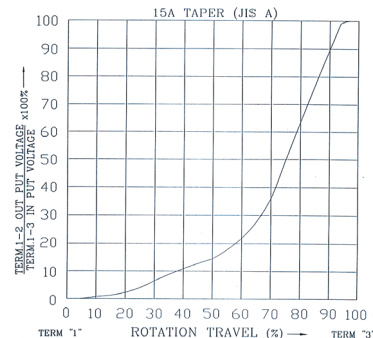
- 18-teeth shaft
- shaft diameter: 6mm
- shaft length: 30mm (POM16, POS16)  
15mm (POM1615)

### Technical parameters:

- Total rotation angle:  $300^{\circ} \pm 5^{\circ}$
- Value tolerance:  $\pm 30\%$
- Power rating: lin: 0,2 W      log: 0,1 W
- Max. operating voltage: lin: 200 V      log: 150 V
- Insulation resistance: min. 100 MOhm at 500 VDC
- Rotational life: > 15000 cycles
- Operating temperature:  $-10^{\circ}\text{C} \dots +70^{\circ}\text{C}$
- Packing: 200 pcs



taper linear

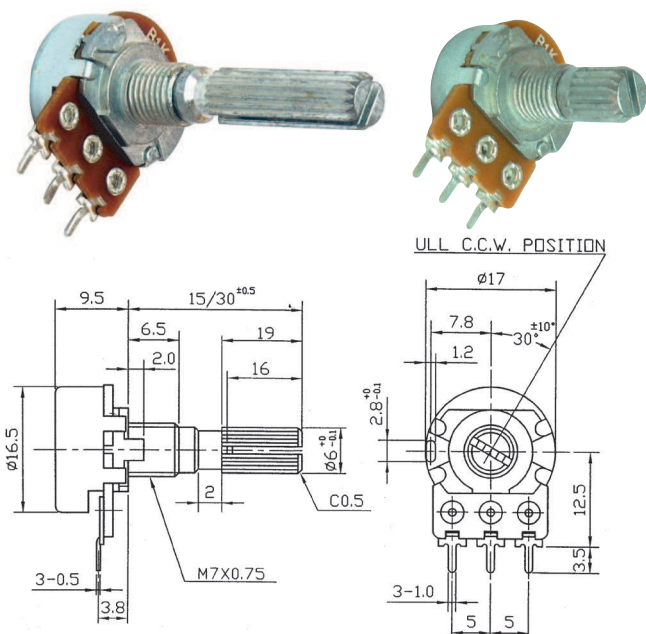


taper logarithmic

## Potentiometers MONO

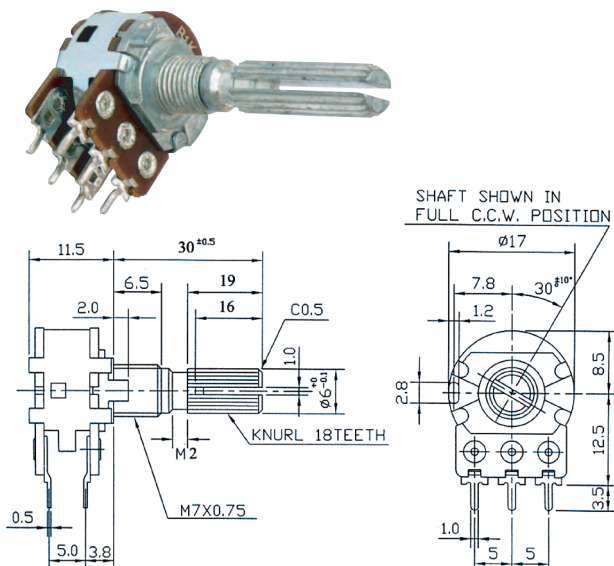
POM16

POM1615



Type	Value	Taper
POM16 LIN 1K B	1 K	LIN
POM16 LIN 5K B	5 K	LIN
POM16 LIN 10K B	10 K	LIN
POM16 LIN 50K B	50 K	LIN
POM16 LIN 100K B	100 K	LIN
POM16 LIN 200K B	200 K	LIN
POM16 LIN 500K B	500 K	LIN
POM16 LIN 1M B	1 M	LIN
POM16 LOG 1K A	1 K	LOG
POM16 LOG 5K A	5 K	LOG
POM16 LOG 10K A	10 K	LOG
POM16 LOG 50K A	50 K	LOG
POM16 LOG 100K A	100 K	LOG
POM16 LOG 200K A	200 K	LOG
POM16 LOG 500K A	500 K	LOG
POM16 LOG 1M A	1 M	LOG
POM1615 LIN 1K B	1 K	LIN
POM1615 LIN 5K B	5 K	LIN
POM1615 LIN 10K B	10 K	LIN
POM1615 LIN 50K B	50 K	LIN
POM1615 LIN 100K B	100 K	LIN
POM1615 LIN 500K B	500 K	LIN

## Potentiometers STEREO



Type	Value	Taper
POS16 LIN 1K B	1 K	LIN
POS16 LIN 5K B	5 K	LIN
POS16 LIN 10K B	10 K	LIN
POS16 LIN 50K B	50 K	LIN
POS16 LIN 100K B	100 K	LIN
POS16 LIN 200K B	200 K	LIN
POS16 LIN 500K B	500 K	LIN
POS16 LIN 1M B	1 M	LIN
POS16 LOG 1K A	1 K	LOG
POS16 LOG 5K A	5 K	LOG
POS16 LOG 10K A	10 K	LOG
POS16 LOG 50K A	50 K	LOG
POS16 LOG 100K A	100 K	LOG
POS16 LOG 200K A	200 K	LOG
POS16 LOG 500K A	500 K	LOG
POS16 LOG 1M A	1 M	LOG