



**HESTORE.HU**

elektronikai alkatrész áruház

**EN:** This Datasheet is presented by the manufacturer.

Please visit our website for pricing and availability at [www.hestore.hu](http://www.hestore.hu).

# S10 RELAY

## SHORI

### ◆ Features

- 40A switching use relay at ambient temperature of 80°C.
- Compatible fasten terminal arrangement with this kind of power relay.
- Standardized design for plug-in quick connect terminals.



### ◆ Coil Data [at 20°C]

| Rated voltage (V) | Coil Resistance ±10% (Ω) | Rated Current ±10% (mA) | Pick up Voltage (Max) | Drop out Voltage (Min) | Max continuous Voltage    | Power consumption At rated Voltage |
|-------------------|--------------------------|-------------------------|-----------------------|------------------------|---------------------------|------------------------------------|
| 12                | 80                       | 150                     | 75% of rated voltage  | 10% of rated voltage   | 150% Max of Rated voltage | Approx.1.8W                        |
| 24                | 320                      | 75                      |                       |                        |                           |                                    |
| 36                | 720                      | 50                      |                       |                        |                           |                                    |

### ◆ Contact Rating

|                |                      |
|----------------|----------------------|
| Resistive load | 30A 12VDC, 40A 12VDC |
|----------------|----------------------|

### ◆ Type List

| Terminal style | Contact form | Designation (provided with) |
|----------------|--------------|-----------------------------|
| PCB terminal   | 1A (SPNO)    | S10-1A-C-12VDC              |
|                | 1C(SPDT)     | S10-1C-C-12VDC              |
|                | 1A (SPNO)    | S10-1A-C1-12VDC             |
|                | 1C(SPDT)     | S10-1C-C1-12VDC             |
|                | 1A (SPNO)    | S10-1A-C1S-D1-12VDC         |
|                | 1C(SPDT)     | S10-1C-C1S-D1-12VDC         |

### ◆ Ordering information

S10 - 1A - C - D1 -12VDC  
 1        2        3        4        5

1.S10 -- Basic series designation

2.1A -- Single pole normally open

1B -- Single pole normally close

1C -- Single pole double throw

2A -- Single pole double make

2AU -- Single pole normally open

With 2 N.O. terminals.

5.12VDC -- Coil Voltage (12V~36V)

3. C -- Plastic dust cover

C1 -- Mounting ear on cover (plastic)

C1S -- C1 cover for steel bracket

4. Blank--Standard type

R1 --Coil parallel with 0.5W resistor 12VDC-680Ω 24VDC-2700Ω

R2 -- Coil parallel with 0.5W resistor 12VDC-820Ω 24VDC-3200Ω

D1 -- Coil parallel with diode IN4007 the Positive Pole “+”on #85 terminal

D2 --Coil parallel with diode IN4007 the Negative Pole “-”on #85 terminal

D3 -- Coil parallel with diode IN4004 the Positive Pole “+”on #85 terminal

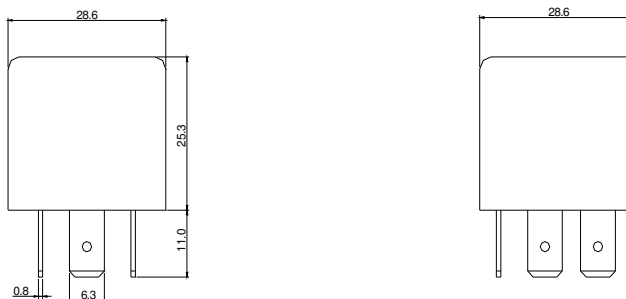
D4 --Coil parallel with diode IN4004 the Negative Pole “-”on #85 terminal

### ◆ Specification

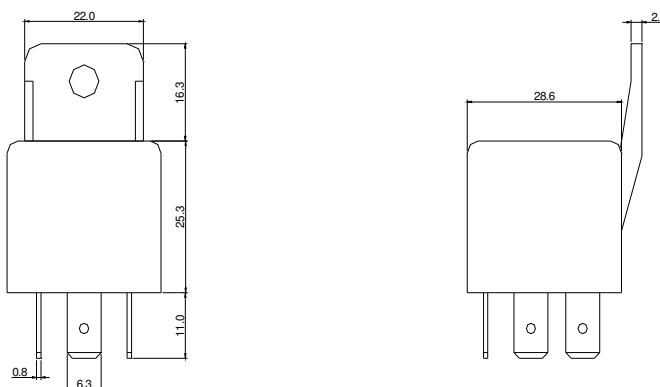
|                               |  |   |
|-------------------------------|--|---|
| Contact material              | Ag Alloy   |   |
| Contact resistance            | 100 mΩ Max   |   |
| Operate time                  | 10 ms Max  |   |
| Release time                  | 10 ms Max  |   |
| Insulation resistance         | 50 MΩ Min. (DC 500V)                               |   |
| Dielectric strength           | Between open contact : AC 500V ,50/60Hz 1 min.     |   |
|                               | Between contact and coil : AC 500V, 50/60Hz 1 min. |   |
| Vibration resistance          | Operating extremes                                 | 10~50Hz, amplitude 2 mm                                   |
|                               | Damage limits                                      | 10~50Hz, amplitude 2 mm                                   |
| Shock resistance              | Operating extremes                                 | 5G  |
|                               | Damage limits                                      | 100G  |
| Life expectancy               | Mechanical   | 10,000,000 operations<br>(frequency 18,000 operations/hr) |
|                               | Electrical   | 100,000 operations<br>(frequency 1,200 operations/hr)     |
| Operating ambient temperature | -30~+85°C (no freezing)                            |   |
| Weight                        | Approx.40g   |   |

### ◆ Outline dimensions

#### ➤ C Type



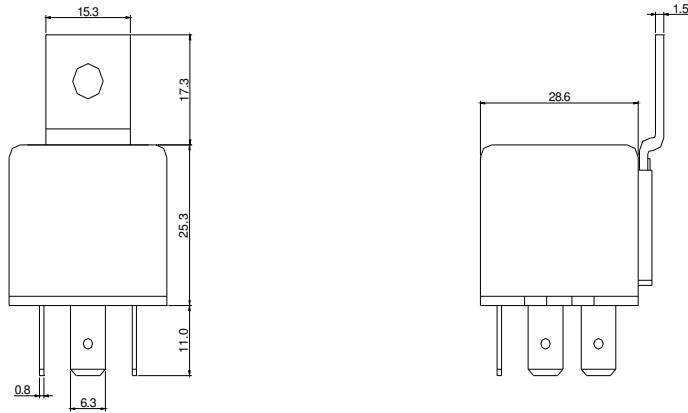
#### ➤ C1 Type



# S10 RELAY

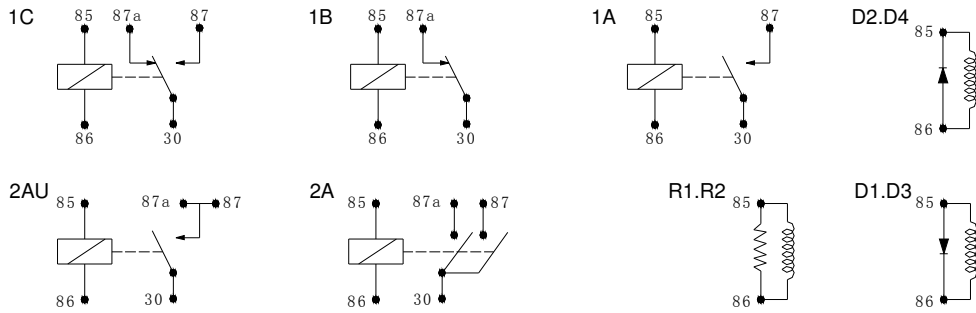
## SHORI

➤ C1S type



### ◆ Wiring Diagram

BOTTOM VIEW



### ◆ PC BOARD LAYOUT

BOTTOM VIEW

