



HESTORE.HU

elektronikai alkatrész áruház

EN: This Datasheet is presented by the manufacturer.

Please visit our website for pricing and availability at www.hestore.hu.

■Features

- High Luminous PLCC4 Power Top SMD LEDs
- 3.5x2.8x1.9mm Standard Directivity
- Superior Weather-resistance
- UV Resistant Silicone
- Water Clear Type

■Applications

- Signage and channel letter
- Decorating and entertainment lighting
- Architectural lighting
- Outdoor/Indoor applications
- Backlighting/Other Lighting

■Absolute Maximum Rating

□Ta□25□ □

Item	Symbol	Value	Unit
DC Forward Current	I_F	70	mA
Pulse Forward Current*	I_{FP}	120	mA
Reverse Voltage	V_R	5	V
Power Dissipation	P_D	182	mW
Operating Temperature	T_{opr}	-30 ~ +85	□
Storage Temperature	T_{stg}	-40~ +100	□
Lead Soldering Temperature	T_{sol}	260 □ /5sec	□

*Pulse width Max.10ms Duty ratio max 1/10

■Electrical -Optical Characteristics

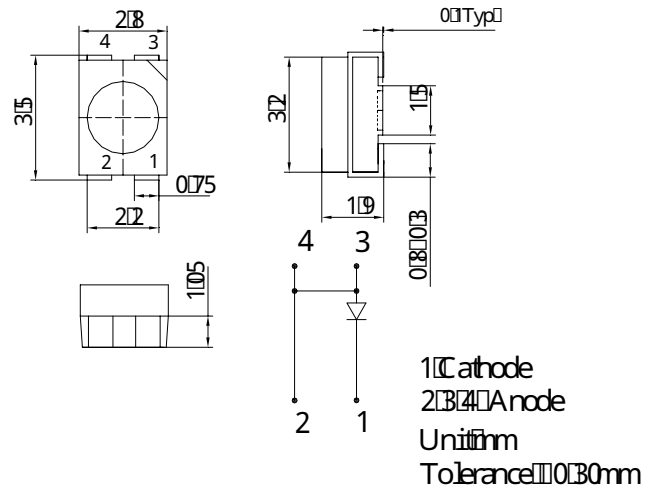
□Ta□25□ □

Item	Symbol	Condition	Min.	Typ.	Max.	Unit
DC Forward Voltage	V_F	$I_F=70mA$	2.0	2.3	2.6	V
DC Reverse Current	I_R	$V_R=5V$	-	-	10	μA
Domi. Wavelength*	λ_D	$I_F=70mA$	600	605	610	nm
Luminous Intensity*	I_v	$I_F=70mA$	2180	2800	-	mcd
50% Power Angle	$2\theta_{1/2}$	$I_F=70mA$	-	120	-	deg

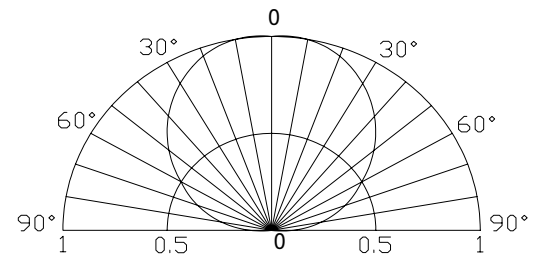
*1 Tolerance of dominant wavelength is $\pm 1nm$

*2 Tolerance of luminous intensity is $\pm 15\%$

■Outline Dimension



■Directivity



□ Maximum Forward DC Current

