



HESTORE.HU

elektronikai alkatrész áruház

EN: This Datasheet is presented by the manufacturer.

Please visit our website for pricing and availability at www.hestore.hu.

REV.	DESCRIPTION	DRAWN	CHECKED	APPROVED
A	NEW RELEASE	HP 07/12/05'	~	LJC 07/12/05'
B	CHANGE THE DIM	YCH 08/17/13'	~	LJC 08/17/13'

TECHNICAL DATA

1. MATERIAL

- . Pin(Outer Sleeve): Brass,Machined,CuZn38Pb2
- . Clip(Contact 3/4/6 Finger): Copper alloy,Heat Treated

2. ELECTRICAL

- . Current Rating: 3A Per Pin max.
- . Contact Resistance: $\leq 20m\Omega$ /Contact.

3. MECHANICAL

- . *Average Insertion Force With Steel Pin of $\phi 0.43mm/0.017''$:
4-Finger $\leq 270g$,6-Finger $\leq 120g$
- . *Average Withdrawal Force With Steel Pin of $\phi 0.50mm/0.020''$:
4-Finger $\geq 25g$,6-Finger $\geq 15g$
- . *Mechanical Life: min 200 Cycles

4. PRODUCT NUMBER CODE:

DS1005-09 - X X X

CLIP PLATED

- 6: Full Tin
- 8: Full Gold flash
- C: Full Gold 3u"
- A: Full Gold 10u"
- B: Full Gold 15u"

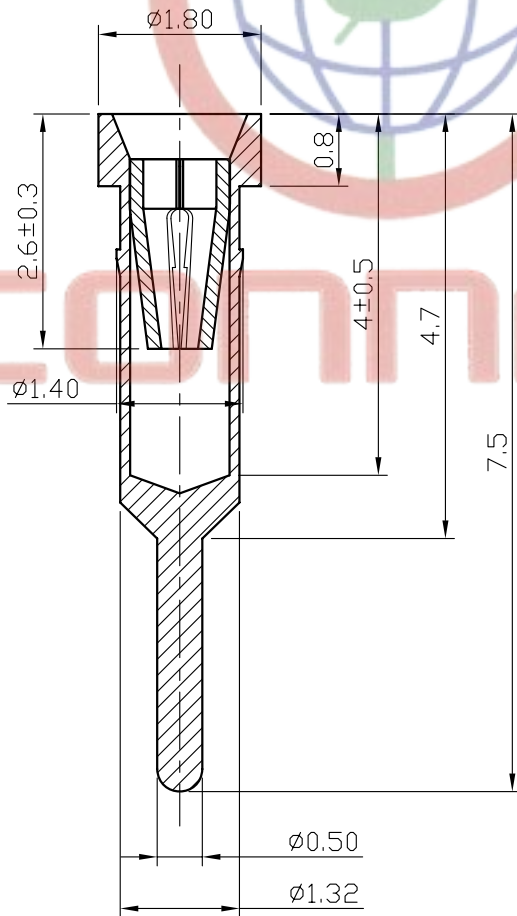
PIN PLATED

- 6: Full Tin
- 8: Full Gold flash
- C: Full Gold 3u"
- A: Full Gold 10u"
- B: Full Gold 15u"

CLIPS

- 3: 3Finger
- 4: 4Finger
- 6: 6Finger

SERIES NO
DS1005-09



clip figure(4 fingers)

GENERAL TOLERANCE		ANGLE TOLERANCE	
X.	± 0.20	X.	$\pm 2'$
.X	± 0.10	.X	$\pm 1'$
.XX	± 0.05	.XX	$\pm 0.5'$
DRAWING TYPE		CUSTOMER	
SCALE	1:1	SHEET	1 OF 1
DRAWING NO.	C-DS1005-09-XXX-B		

PROJECTION		TITLE	
UNITS	mm	SOCKET TERMINALS 7.43mm	
SHEET SIZE	A4	SERIES	DS1005-09

晨翔电子有限公司
CONNFLY CONNFLY ELECTRONIC CO., LTD

Tel:86-574-
Fax:86-574-
E-mail:sale@
Http://www.
Add:East In