



HESTORE.HU

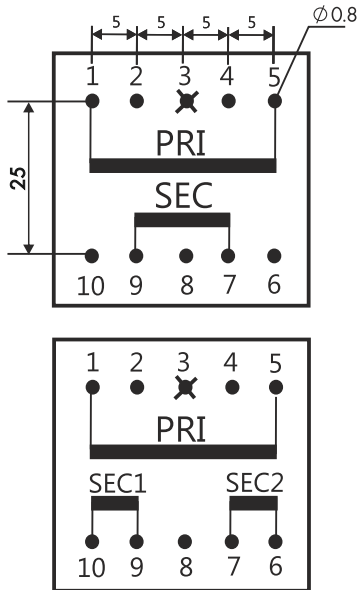
elektronikai alkatrész áruház

EN: This Datasheet is presented by the manufacturer.

Please visit our website for pricing and availability at www.hestore.hu.

PCB transformer

Pin spacing:



Type	Power	ta	Dimensions [mm]							Weight [kg]	
	[VA]	[°C]	A	B	C	a1	a2	D	E		F
2x9V 4VA	4,0	60	35	42	29	25	20	-	-	-	0,15

