

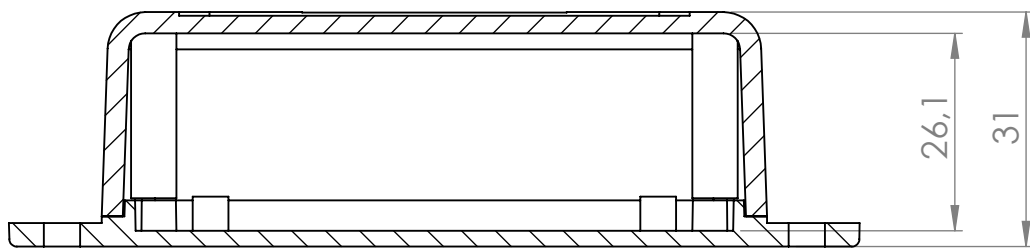
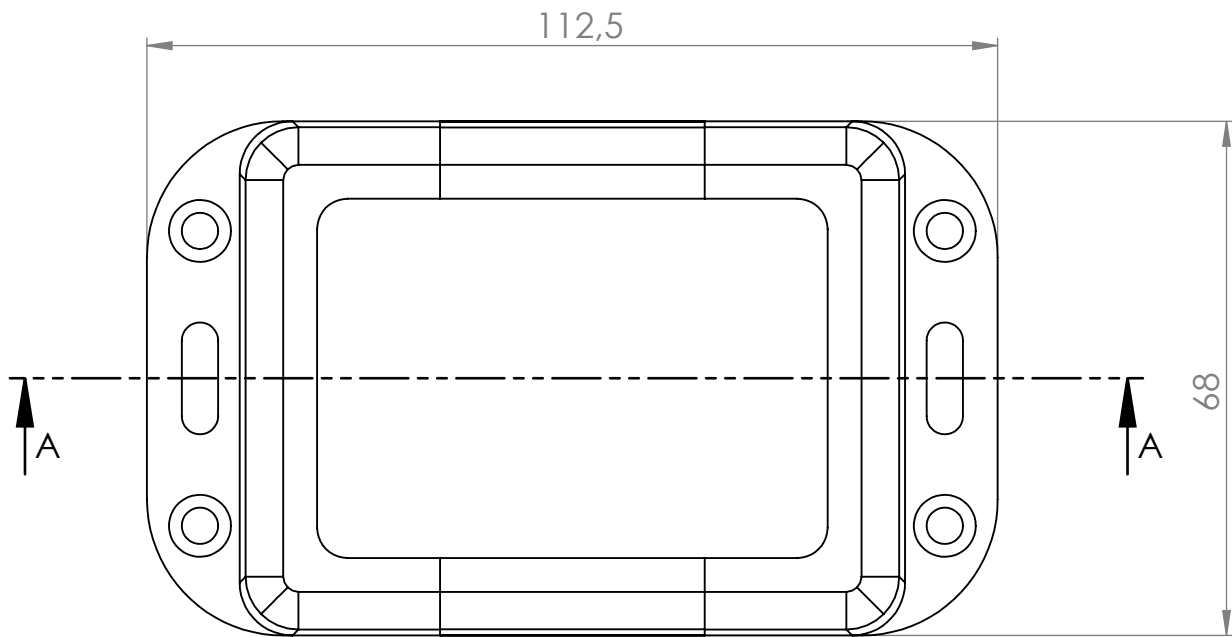


HESTORE.HU

elektronikai alkatrész áruház

EN: This Datasheet is presented by the manufacturer.

Please visit our website for pricing and availability at www.hestore.hu.



SECTION A-A



Dimensional tolerance $\pm 0,3$ mm

maxPCB: 66x58 mm

Components:

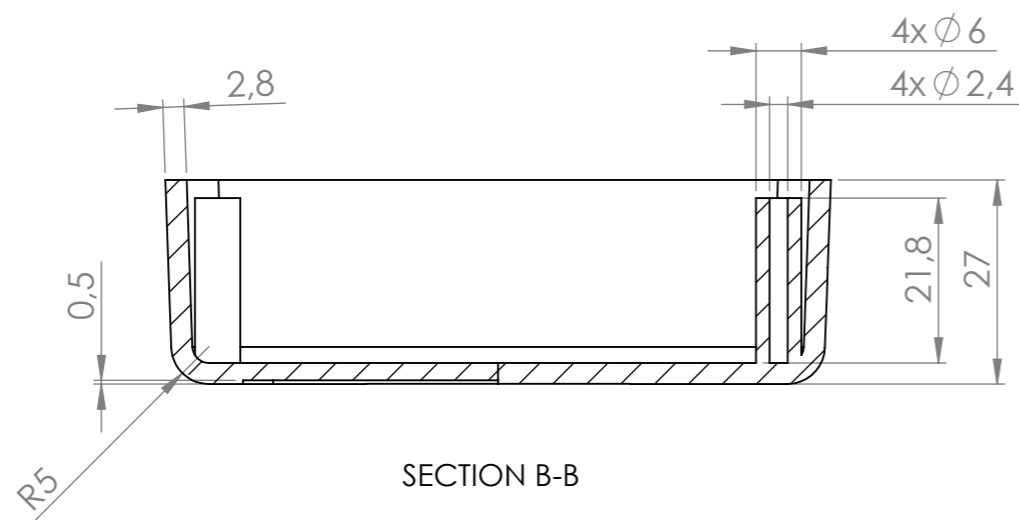
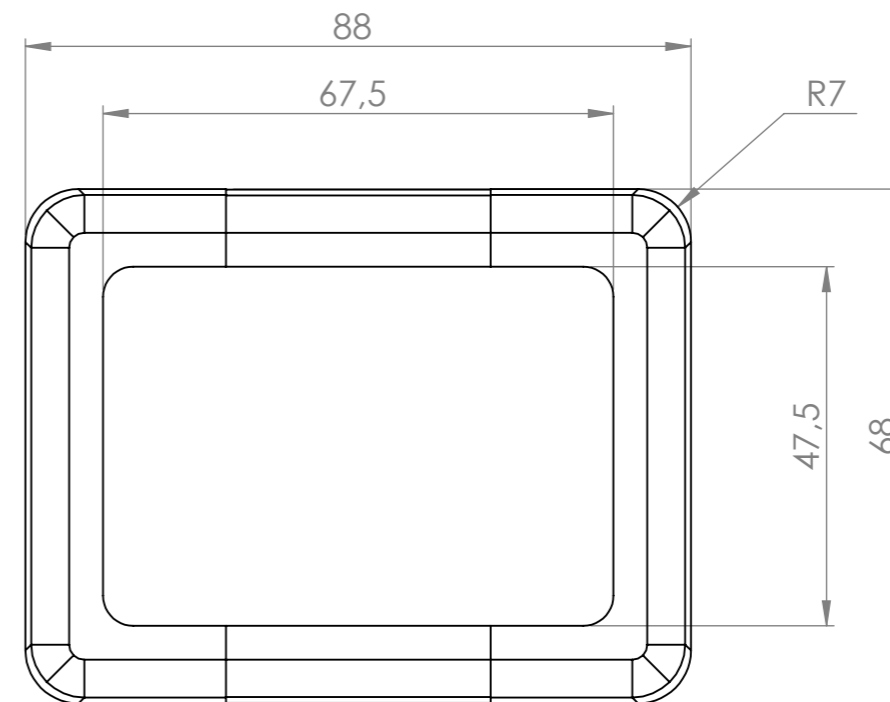
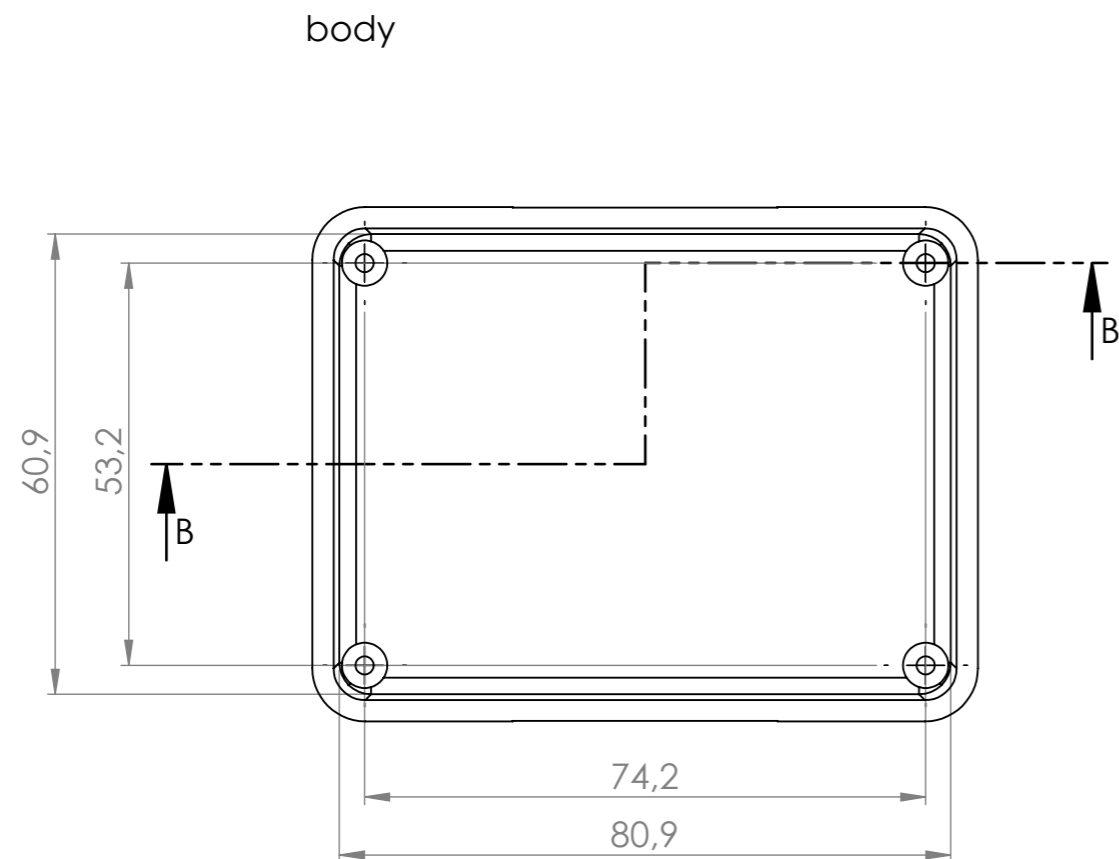
- body
- cover
- 4 screws

| | |
|-------------------------|--------------|
| Format A4 | Scale 1:1 |
| Product No. KM - 79B | |



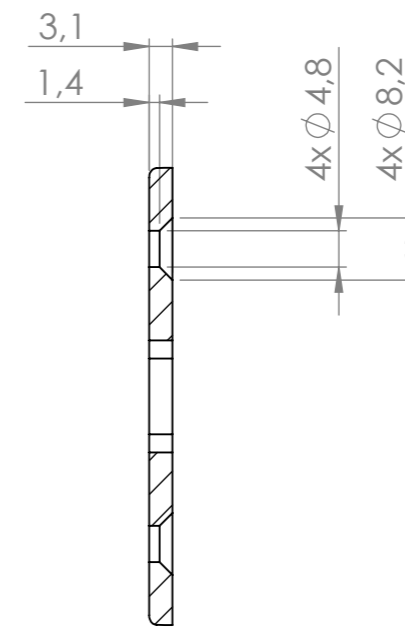
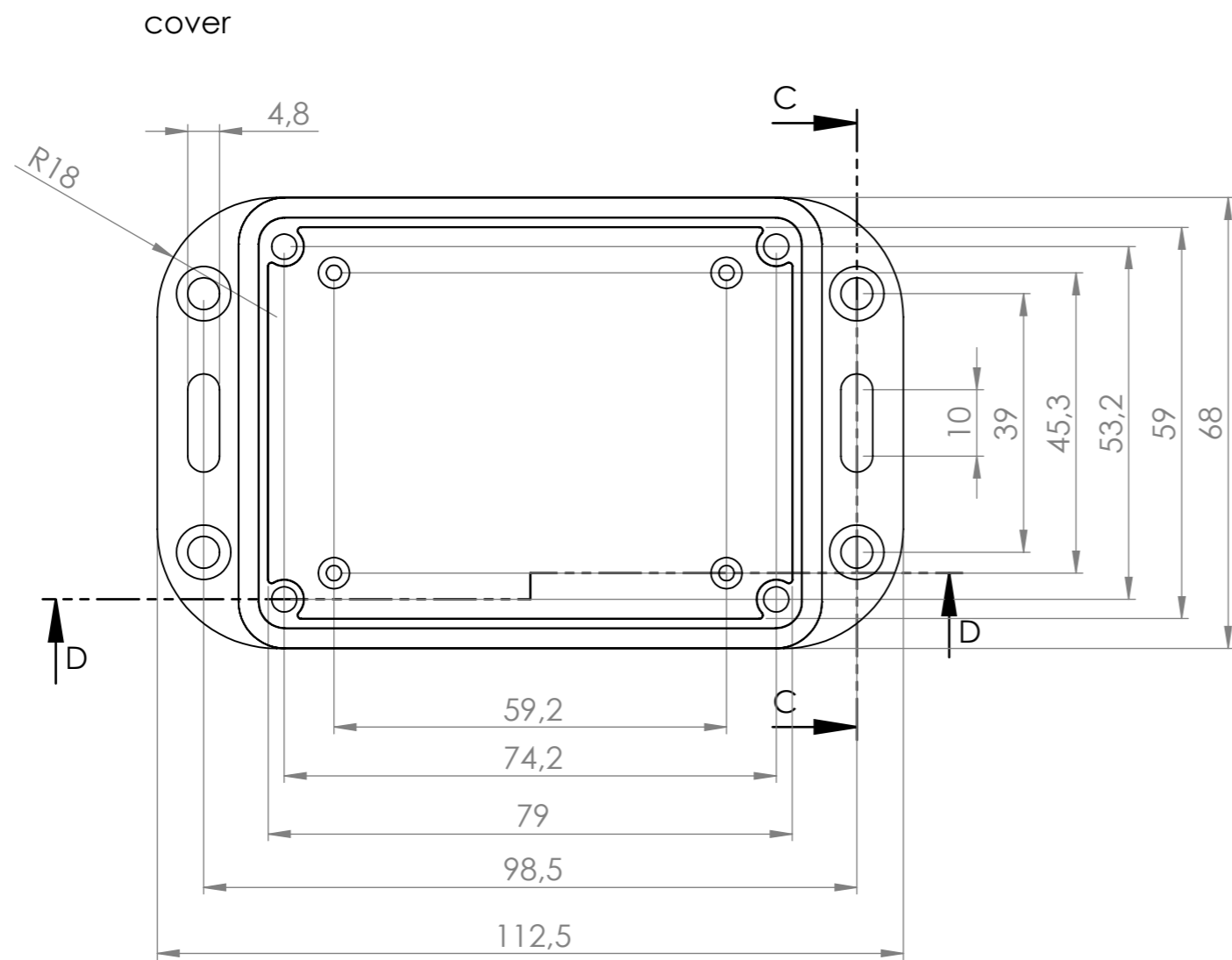
MASZCZYK[®]
PLASTIC ENCLOSURES

„MASZCZYK”
05-071 Sulejów-Miłosna
ul. Mickiewicza 10
tel: (22) 783-45-20 kom: 602-726-086

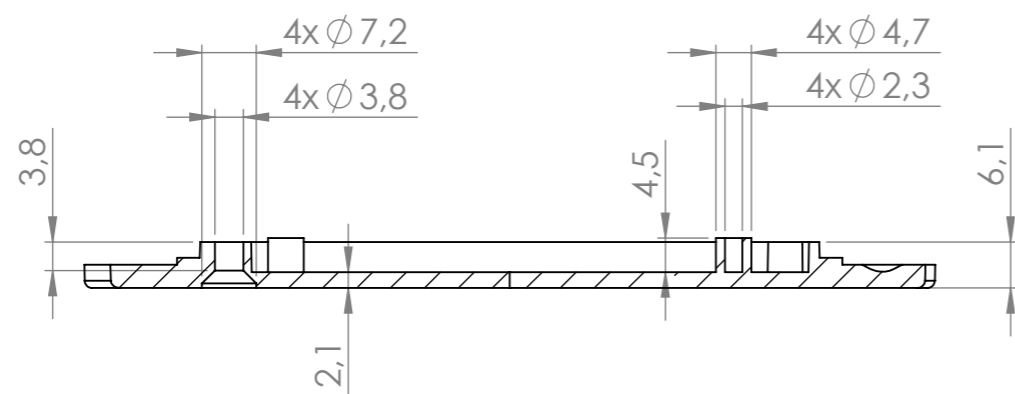


Dimensional tolerance $\pm 0,3$ mm

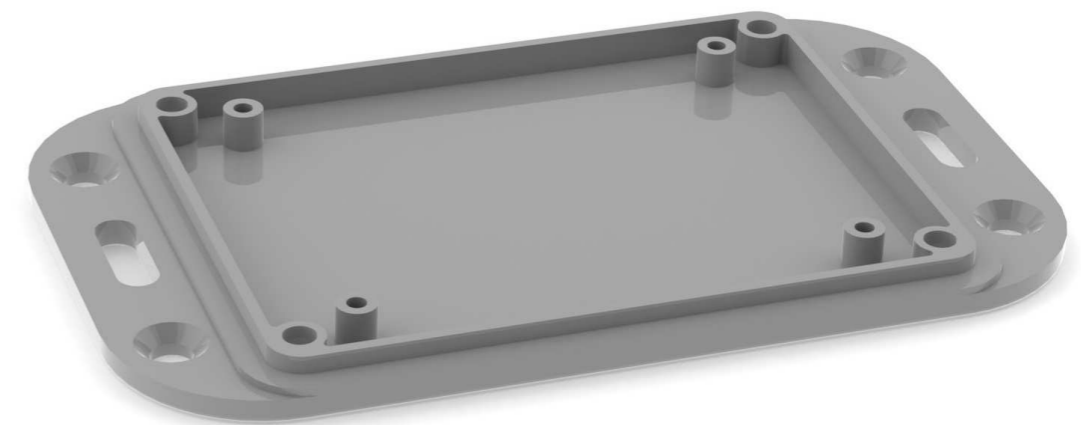
| | | |
|-------------|-------|--|
| Format | Scale |  MASZCZYK [®] PLASTIC ENCLOSURES |
| A3 | 1:1 | |
| Product No. | | „MASZCZYK” 05-071 Sulejówek-Miłosna ul. Mickiewicza 10 tel: (22) 783-45-20 kom: 602-726-086 |
| KM - 79B | | |



SECTION C-C



SECTION D-D



Dimensional tolerance $\pm 0,3$ mm

| | | |
|-------------|-------|--|
| Format | Scale |  MASZCZYK [®] PLASTIC ENCLOSURES |
| A3 | 1:1 | |
| Product No. | | „MASZCZYK” 05-071 Sulejówek-Miłosna ul. Mickiewicza 10 tel: (22) 783-45-20 kom: 602-726-086 |
| KM - 79B | | |