



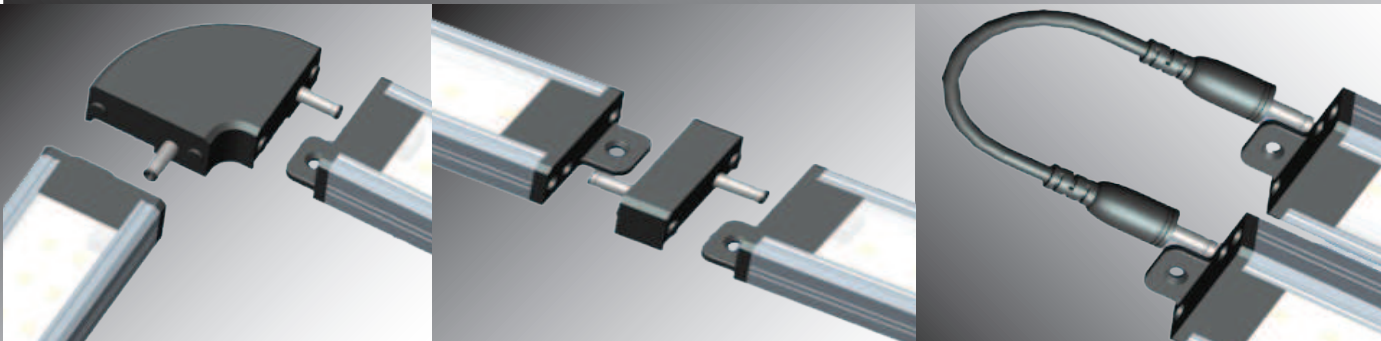
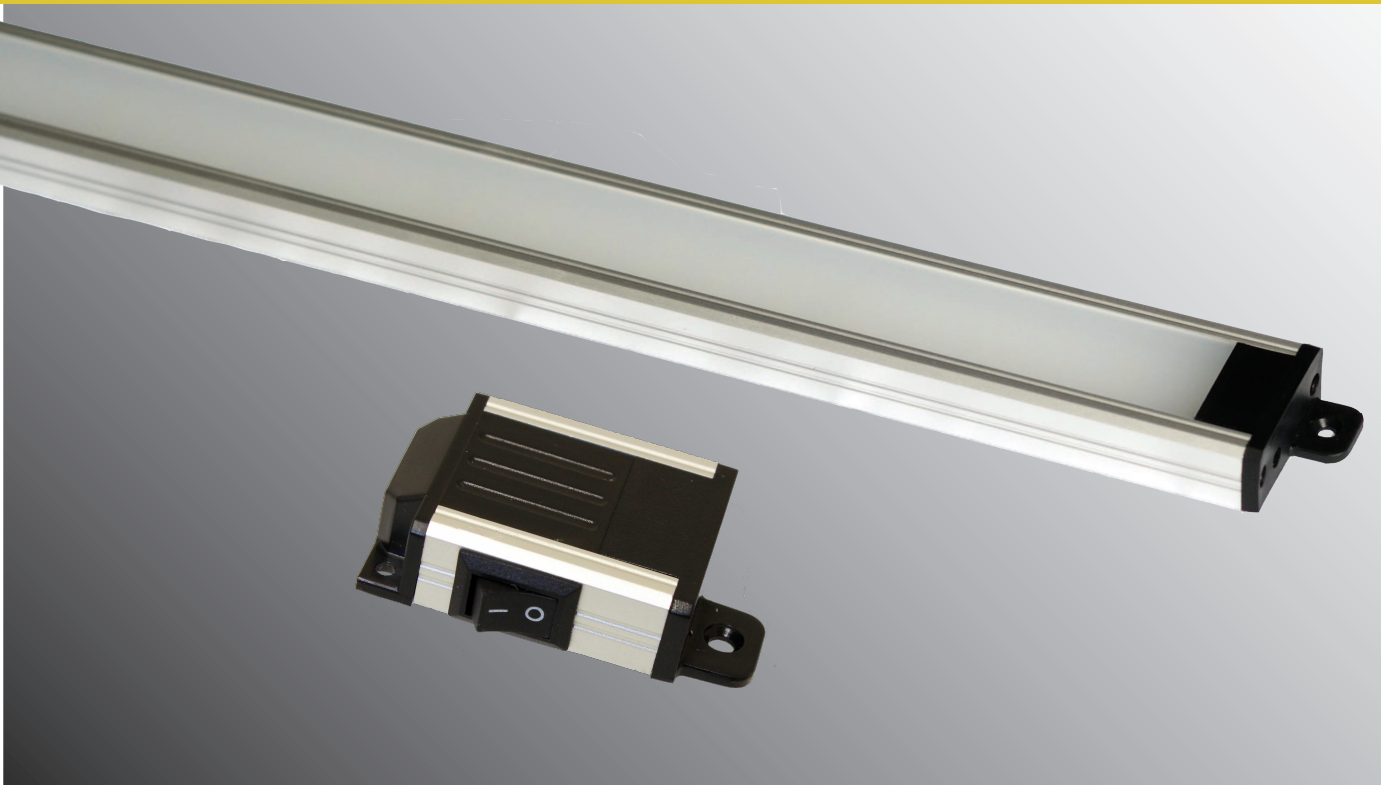
HESTORE.HU

elektronikai alkatrész áruház

EN: This Datasheet is presented by the manufacturer.

Please visit our website for pricing and availability at www.hestore.hu.

CONNECT



LED LIGHT BARS

Product Features

- Slim line bar suitable for cabinet lighting, up lighting, accent lighting etc.
- Easy installation, multiple configurations
- Simple and safe low voltage on/off control
- Reverse polarity protected
- Simple link up capability, allowing up to 4 metres of lighting from 1 driver
- Rugged Aluminium extrusion with easy fit mounting points
- Suitable for 24VDC applications
- Suitable for 24VDC vehicle applications
- Constant power technology, ensures balanced light output across each fitting

0845 533 0495

www.powerled.uk.com

Power  LED

CONNECT



CONNECT LED Light Bar

Model	• CON210	• CON210W	• CON310	• CON310W	• CON510	• CON510W
Lumen Output (lm)	280	225	420	350	620	520
Input Voltage	24VDC	24VDC	24VDC	24VDC	24VDC	24VDC
Current (mA)	125	125	200	200	350	350
Power (W)	3W	3W	4.8W	4.8W	8.4W	8.4W
Power Consumption (W)	3.2W	3.2W	5W	5W	9W	9W
LED Type	3528	3528	3528	3528	3528	3528
LED Qty	30	30	48	48	84	84
Dimensions (mm)	223.6 x 30 x 12.3	223.6 x 30 x 12.3	323.6 x 30 x 12.3	323.6 x 30 x 12.3	523.6 x 30 x 12.3	523.6 x 30 x 12.3
Light Length (mm)	200	200	300	300	500	500
Weights (g)	62	62	94	94	155	155
Angle (°)	120	120	120	120	120	120
IP	IP44	IP44	IP44	IP44	IP44	IP44
CCT (K)	6000-6500K (Cool White)	2700-2900K (Warm White)	6000-6500K (Cool White)	2700-2900K (Warm White)	6000-6500K (Cool White)	2700-2900K (Warm White)

CONNECT Connections

Model	• F90	• F180	• S180	• PS1	• SW1
Style	Corner	Straight	Cable	Cable	Switch
Max Current	3A	3A	3A	3A	3A
Dimensions (mm)	-	-	80	500	-
Weights (g)	17	6	7		
Angle (°)	90	-	Flexible	Flexible	-

All connector dimensions are 3.5 x 1.35

LED Drivers

Model	• PSU001	• PSU002	• PSU003	• PSU004
Metres Powered	1.2mtr	2.1mtr	3mtr	4mtr

Maximum single run 4 metres; when using standard PS1 input cable and F180 connections

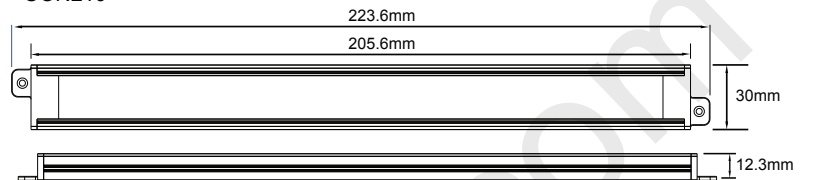
PowerLED drivers and connect connections must be used to provide power for the connect series of LED light bars, warranty will be void if alternative drivers or connections are used.

CONNECT

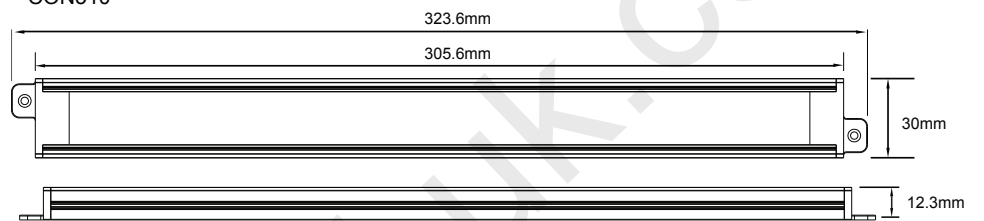


CONNECT Mechanical Diagrams

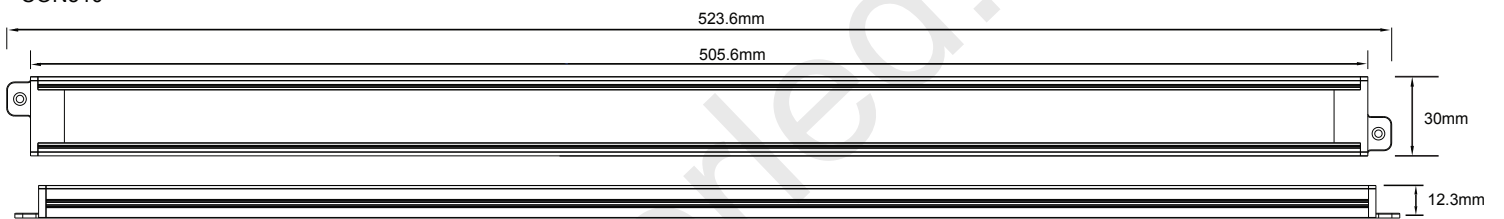
CON210



CON310

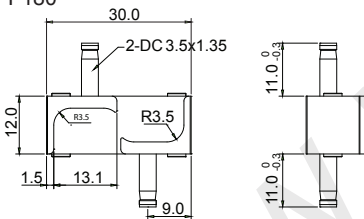


CON510

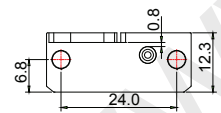
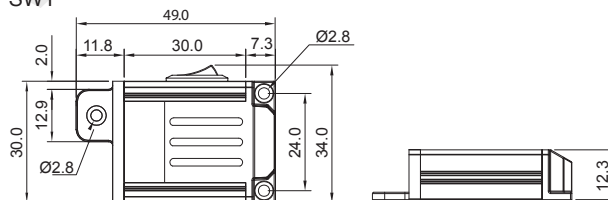


CONNECT Connector Diagrams

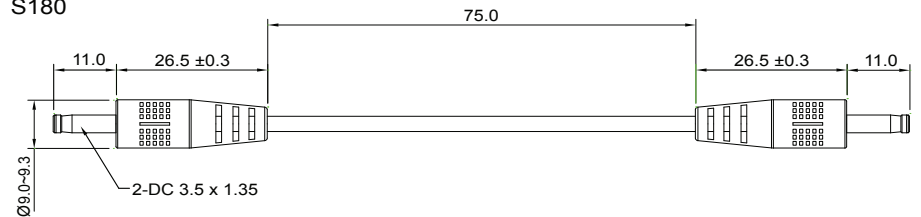
F180



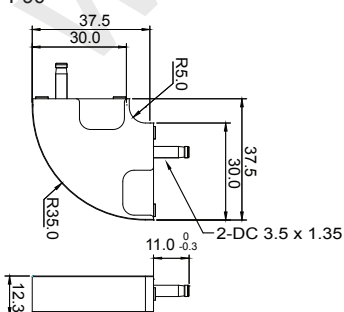
SW1



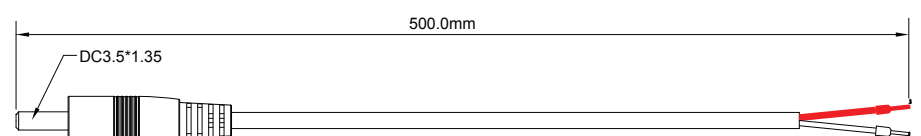
S180



F90



PS1



CONNECT

LED LIGHT BARS



www.powerled.uk.com

0845 533 0495

sales@powerled.uk.com