



HESTORE.HU

elektronikai alkatrész áruház

EN: This Datasheet is presented by the manufacturer.

Please visit our website for pricing and availability at www.hestore.hu.

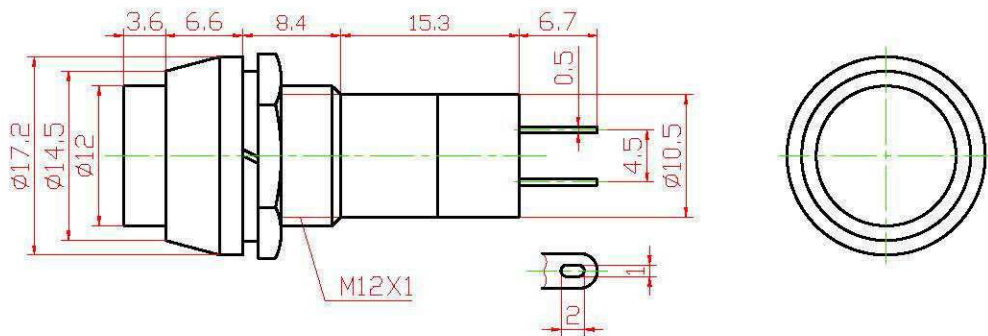
Push-Button Switch

TYPE : PBS-11B

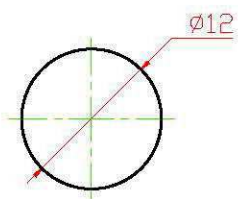
(Specification)

1. (Rating): 3A 125V AC; 1A 250V AC
2. (Contact R): 20m Ω max
3. (Insulation R): 500V DC 100M Ω min
4. (Dielectric Strength): 1 Minute 1000V AC
5. (Operating Temperature): -25 $^{\circ}$ C ~ +85 $^{\circ}$ C
6. (Electrical Life): 50, 000 Cycles

(Outline Drawing)



(Mounting)



(Circuit)

