



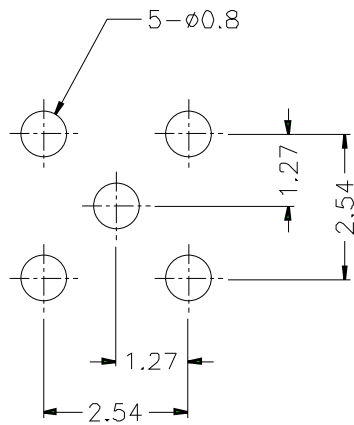
HESTORE.HU

elektronikai alkatrész áruház

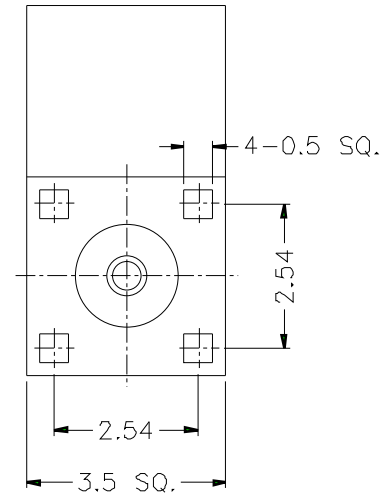
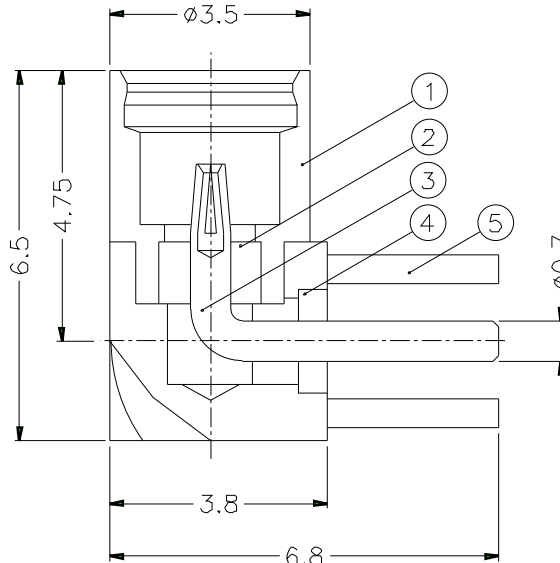
EN: This Datasheet is presented by the manufacturer.

Please visit our website for pricing and availability at www.hestore.hu.

1			2			3			4			5			6			7			8		
REVISIONS																							
ISS	ZONE	DESCRIPTION\PER REQUEST\DATE																					



PCB MOUNTING HOLE



NOTES: FINISH (PLATING THICKNESS IN MICRO-INCHES)

1. BRASS PER QQ-B-626
2. GOLD PL. 3 MIN. THICK OVER NICKEL PL. 100 MIN. THICK OVER COPPER STRIKE
3. BERYLLIUM COPPER PER QQ-C-530
4. GOLD PL. 30 MIN. THICK OVER NICKEL PL. 100 MIN. THICK OVER COPPER STRIKE
5. TEFLON MIL-P-1946B

5	HOUSING	NOTE 1	NOTE 2	1	MMCX6252N1-5-B	DIMENSIONS ARE IN MILLIMETERS				PART NO.	MMCX6252N1-3GT30G-50		<h1 style="text-align: center;">Amphenol</h1> <p style="text-align: center;">TITLE MMCX R/A P.C. MOUNT JACK</p> <p style="text-align: center;">DRAWING NO. KJ-MMCX6252N1-3GT30G-50</p> <p style="text-align: center;">ITEM NO.</p>		
4	INSULATOR	NOTE 5	NATURAL	1	MMCX6252N1-4T-50	UNLESS OTHERWISE SPECIFIED TOLERANCES				APPROVED					
3	CONTACT PIN	NOTE 3	NOTE 4	1	MMCX6252N1-3	0.5-6 = ±0.2				CHECKED	DATE	10-11-01'			
2	INSULATOR	NOTE 5	NATURAL	1	MMCX6252N1-2T-50	6-30 = ±0.4				DRAWN	DATE	10-11-01'			
1	BODY	NOTE 1	NOTE 2	1	MMCX6252N1-1-B	30-120 = ±0.6				FILE NO.					
						120-315 = ±1									
						315-1000 = ±1.6									
						1000-2000 = ±2.4									
NO.	DESCRIPTION	MATERIAL	FINISH	Q'TY	DRAWING NO.	SCALE	8/1	ISSUE	A						

1	2	3	4	5	6	7	8
---	---	---	---	---	---	---	---