



HESTORE.HU

elektronikai alkatrész áruház

EN: This Datasheet is presented by the manufacturer.

Please visit our website for pricing and availability at www.hestore.hu.

Category 5e Shielded Keystone Panel Mount Coupler



Category 5e Shielded Keystone Panel Mount Coupler (FACK2S)

Features

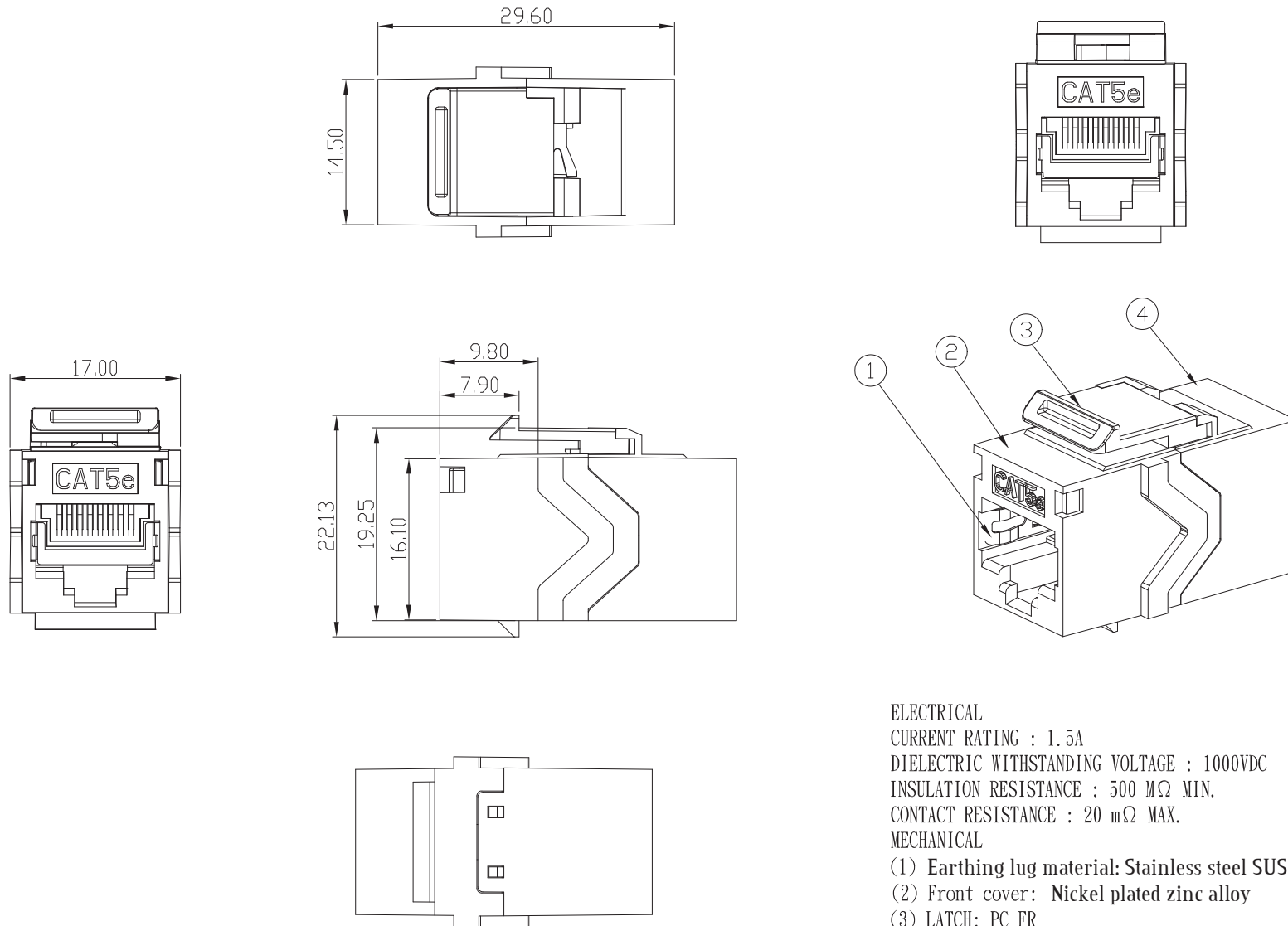
- Designed to fit industry standard keystone outlets, wall plates and patch panels
- High performance data throughput, meets Category 5e data transfer rates
- Unshielded versions available
- Plug insertion life ≥ 750 times
- Operating temperature: $-40^{\circ}\text{C} \sim +66^{\circ}\text{C}$
- Fully loaded 16 and 24 port patch panels available with or without cable management
- Available as part of our innovative panel mount and D UNIVERSAL ranges

Specifications

- Housing: Nickel plated zinc alloy
- Contacts: Phosphor bronze, $50\mu\text{m}/1.27\mu\text{m}$ gold plated over contact area
- Colour: Silver
- Dimensions: approx 29.7 x 17 x 16.1 mm
- Weight: approx 17g
- Earthing lug material: Stainless steel SUS304

ROHS Compliant

Code: FACK2S



ELECTRICAL
CURRENT RATING : 1.5A
DIELECTRIC WITHSTANDING VOLTAGE : 1000VDC
INSULATION RESISTANCE : 500 MΩ MIN.
CONTACT RESISTANCE : 20 mΩ MAX.
MECHANICAL
(1) Earthing lug material: Stainless steel SUS304
(2) Front cover: Nickel plated zinc alloy
(3) LATCH: PC FR
(4) Bottom cover: Nickel plated zinc alloy