



HESTORE.HU

elektronikai alkatrész áruház

EN: This Datasheet is presented by the manufacturer.

Please visit our website for pricing and availability at www.hestore.hu.

PRODUCT DATA SHEET

387811.60

Tab bloc with blind rivet – 3878/11 Ms blank 6.3x0.8



Product Overview

| | |
|------------------|---------------------------|
| SKU | 387811.60 |
| Part description | Tab bloc with blind rivet |
| Part designation | 3878/11 Ms blank 6.3x0.8 |

Material

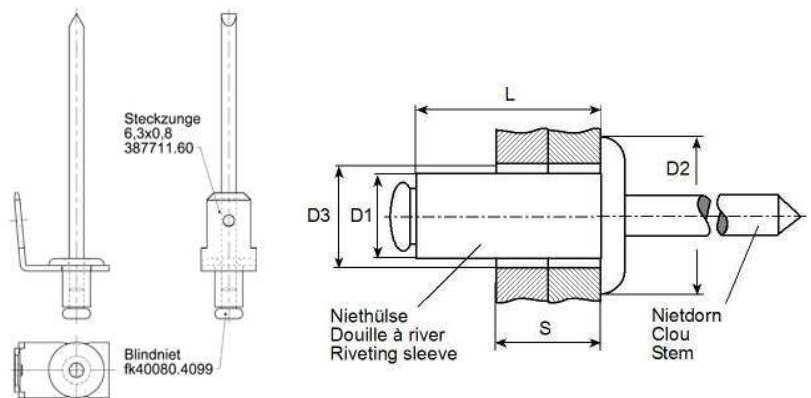
| | |
|-----------|-------|
| Component | Brass |
| Surface | clean |

Technical Details

| | |
|----------------------|-------|
| Net weight kg/1000 | 3.113 |
| Quantity of Contacts | 1 |

Dimensions

| | |
|---------|-----------|
| D1 [mm] | 4.00 |
| D2 [mm] | 5.50 |
| D3 [mm] | 4.10 |
| L [mm] | 8.00 |
| S [mm] | 2.50-4.50 |



© 2022 | Vogt AG Verbindungstechnik

The general conditions of sale of Vogt AG apply to this product. See www.vogt.ch/downloads.

This data sheet is regularly revised but is not subject to any change service.

This article is a freely available article according to the above specification. The availability of certificates according to EN 10204, others acceptance test certificates or material compliance and customer-specific part submission warrant, are to be requested by the customer and, if available, can be obtained for a fee.

You can find more information on the free available product conformities at www.vogt.ch/downloads.