



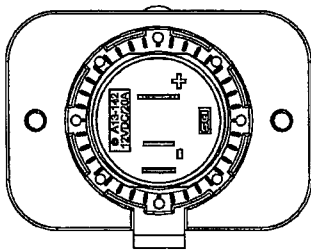
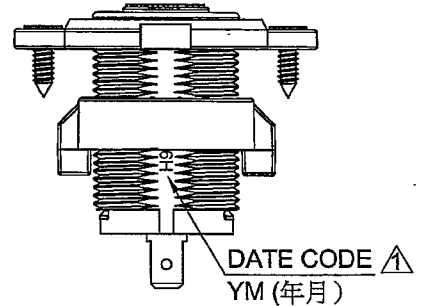
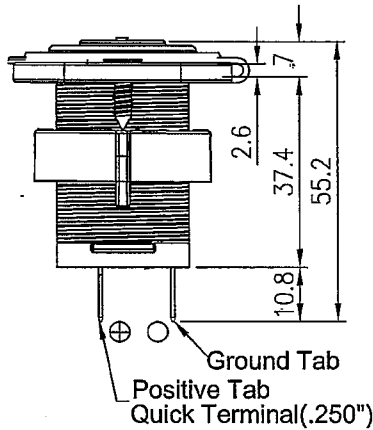
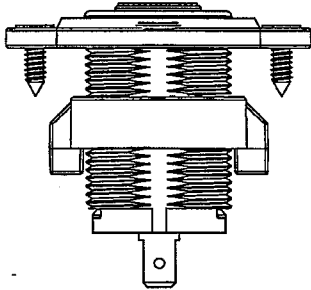
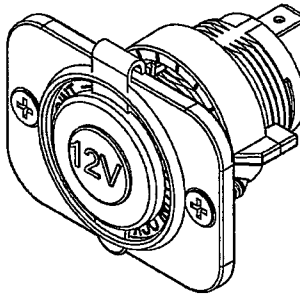
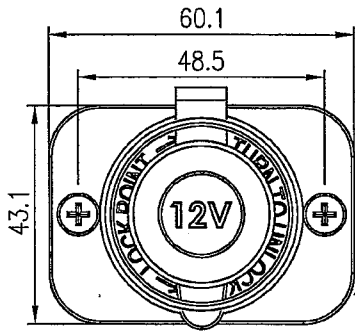
HESTORE.HU

elektronikai alkatrész áruház

EN: This Datasheet is presented by the manufacturer.

Please visit our website for pricing and availability at www.hestore.hu.

Rating	12V DC 20A max	
Insulation Resistance	DC 500V 100M ohm Min.	
Dielectric Strength	AC 1500V 1 minute	
Operation Temperature	-0°C~60°C	



Description:

- * Water proof sealing cap
- * SeaLink locking system
- * Easy to install using an optional mounting plate for front panel installation, or the locking ring for rear access installation
- * Compatible with standard CLA plugs

1 - Tolerances ± 0.3 Unless Otherwise Specified

8/25/16	曾敏捷	增加 DATE CODE.				△
Date	Name	Description				No.
Drawn	Checked	Approved	SCI BOM No.	1250513	Model Name	SeaLink CLA Socket
曾敏捷		<i>Smoin</i>	Customer No.		Model No.	A13-142AP-BB1
8/25/16		<i>8/27-16</i>	Unit	mm	Shin Chin Industrial Co., Ltd.	
						Rev. 1

1251184