



HESTORE.HU

elektronikai alkatrész áruház

EN: This Datasheet is presented by the manufacturer.

Please visit our website for pricing and availability at www.hestore.hu.

Installation instructions

PV Field connector WM4 C





PV Box connector BOX WM4 C



Content

Symbols used	10
General safety notes	11
Safety notes for installation	11
Intended use	11
Recommended tools	11
Installing the plug-in connectors	12
Disconnecting the plug	15
Technical data	16
Order data	17


Symbols used

	This symbol cautions against danger caused by hazardous voltage.
	This symbol cautions against danger that may result in material damage.
	This symbol advises you to regard this and other documentations if applicable.
	The arrow indicates notes that enable proper and effective work procedures.

General safety notes

- The electrical connections must not be disconnected and plugged under load.
- The products may only be installed by electrically skilled persons.
- The PV plug-in connectors must be kept away from products or mediums (including gases) that contain petrol, kerosine or plasticizer.

Safety notes for installation

WARNING	
	<p>Hazardous voltage!</p> <p>The electrical connections must not be disconnected and plugged under load. Depending on the light intensity, voltage, generated by the module, may be present!</p>

Please regard the following notes:

- Protect all not connected connectors from dirt and water during installation.
- Make sure that the O-seal of the plug-in connector is free from dirt before installation.
- Make sure that energized parts like contacts or cables will not induce a ground fault.
- We can not guarantee the technical specifications, if you use other components, accessories or tools for installation than recommended by Weidmüller.
- The PV plug-in connectors must not be subjected to any mechanical loads.

Intended use

The WM4 C plug in connectors are intended for use in photovoltaics only. They shall only be used within the described technical specifications.

Warranty is limited to combinations of Weidmüller Photovoltaic connectors.

Recommended tools

Tool	Order No.
Wire stripping pliers multi-stripax® PV	1190490000
Crimping tool CTF PV WM4	1222870000
Mounting tool Screwty 15 (for WM4 C)	1290830000
Mounting tool Screwty 18 (for BOX WM4 C)	1254670000
Torque screwdriver DMS MANUELL	9918370000

Installing the plug-in connectors

Step 1: Assembling the cables



Required tool:
Multi-Stripax PV (1190490000).



Please regard the tool's documentation.

- ▶ Strip the cable to a length of 8 ± 1 mm.
- ▶ Take care not to damage individual strands of the cable.

Step 2: Crimping the contacts



Required tool:
Crimping tool PV (1222870000)



Please regard the tool's documentation.

- ▶ Set the locator to "WM4".
- ▶ Put the metal contact into the appropriate cavity of the manual tool according to the cable cross section. The locator helps you to position the contact properly.
- ▶ Insert the cable into the crimp area and press the crimping pliers completely.
- ▶ Make sure that there is no damage and no sharp edges on the crimp.



Step 3: Connecting the line



- ▶ Insert the crimped contact evenly into the housing until the contact has reached its end position and a "click" can be heard.
- ▶ If using cables with the maximum external diameter of 7 mm it may be necessary to turn back the union nut.
- ▶ Check that the fastening is correct by gently pulling the cable.

Step 4 (WM4 C): Assembling the housing



Required tools:

- Screwty SW15 (1290830000)
- DMS MANUELL 0,5-1,7 (9918370000)

- ▶ Tighten the union nut manually.
- ▶ Fasten the union nut using the tool.

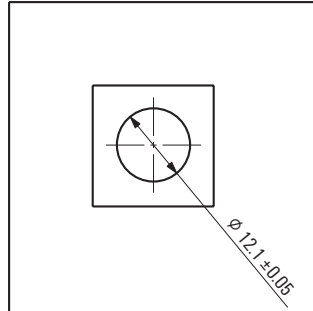
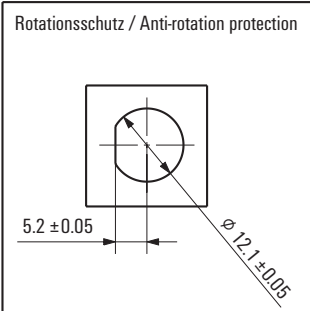
When doing so please observe the appropriate tightening torque, which depends on the cable exterior diameter:

∅ 5.5 ... <6.0 mm: 2.0 Nm ± 0.2

∅ 6.0 ... 7.0 mm: 1.5 Nm ± 0.2



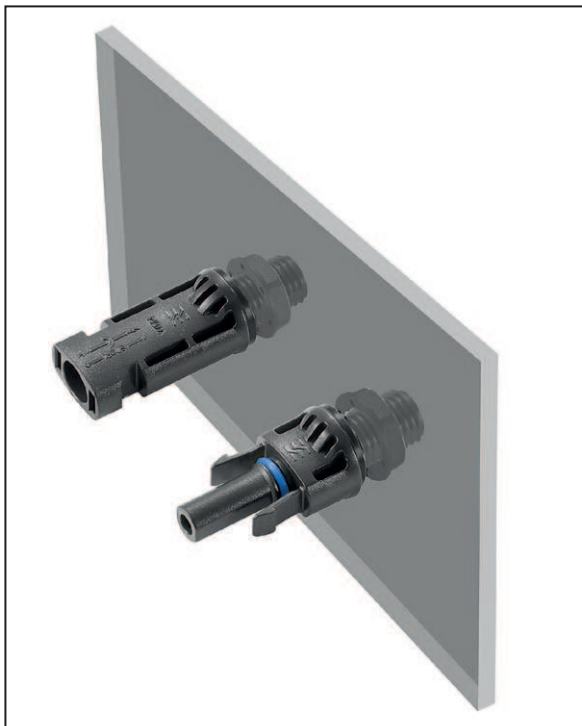
Step 4 (BOX WM4 C): Assembling the housing



- ▶ Prepare the assembly opening according to the adjacent drawings. If you want to achieve the anti-rotation protection, please regard the left hand drawing.



Please make sure that the opening is free of burrs before you continue the assembly.

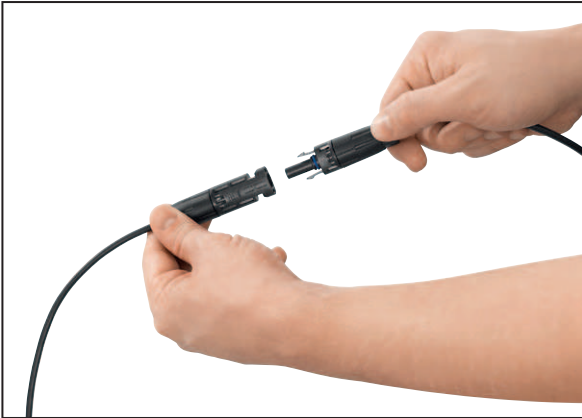


Required tools:

- Screwty SW18 (1254670000)
- DMS MANUELL 0,5-1,7 (9918370000)

- ▶ Mount the connector with the sealing on the outer part of the wall and the nut on the inner part of the wall.
- ▶ Tighten the nut using the tool (torque 1.1 ± 0.2 Nm).

Step 5: Connecting the plug



- ▶ Plug the male pin housing into the female socket housing until the latching hooks snap into place.
- ▶ Check that the fastening is correct by gently pulling.

Disconnecting the plug



WARNING



Hazardous voltage!

The electrical connections must not be disconnected and plugged under load. Depending on the light intensity, voltage, generated by the module, may be present!

The housings of the plug can be separated without any tool.

- ▶ To disconnect the connector press the latching hooks together and pull the housing components apart.

Technical data

	WM4 C	BOX WM4 C
Permissible temperature range	-40 °C ... +85 °C	
Protection degree (mated / unmated)	IP65, IP67 / IP2x	
Rated current according to TÜV	35 A	
Rated voltage	1.500 V DC (IEC)	
Protection class	II	
Construction type	unipolar, not reuseable, free connector	
Tightening torque	\varnothing 5.5 ... <6.0 mm: 2.0 Nm \pm 0.2 / \varnothing 6.0 ... 7.0 mm: 1.5 Nm \pm 0.2	1.1 \pm 0.2 Nm
Max. wall thickness	Metall enclosure: 6 mm; Plastic enclosure: 10 mm	
Connectable cables	Cable for PV applications according to IEC 62852	
Cable cross section	4 mm ² , 6 mm ²	
Cable exterior diameter	5.5 ... 7.0 mm	
Insulating material group of cables	I or II (CTI \geq 400)	





Order data

WM4 C Field connector

Female socket housing	Type	Pack. unit*	Order No.
	BUGH WM4 C BT Female socket housing	100	1530690000
	BUKO WM4 C BT BUKO WM4 C RL Female socket contact	100 4500	1530670000 1530770000
Male pin housing	Type	Pack. unit*	Order No.
	SFGH WM4 C BT Male pin housing	100	1530700000
	SFKO WM4 C BT SFKO WM4 C RL Male pin contact	100 4500	1530680000 1530780000
Accessories	Type	Pack. unit*	Order No.
	VSSD WM4 C Universal dust cap for female socket housing and male pin housing	100	1254870000

*Packaging unit

BOX WM4 C Box connector

Female socket housing	Type	Pack. unit*	Order No.
	BUGH BOX WM4 C BT Female socket housing	100	1530630000
	BUKO WM4 C BT BUKO WM4 C RL Female socket contact	100 4500	1530670000 1530770000
Male pin housing	Type	Pack. unit*	Order No.
	SFGH BOX WM4 C BT Male pin housing	100	1530640000
	SFKO WM4 C BT SFKO WM4 C RL Male pin contact	100 4500	1530680000 1530780000

*Packaging unit