



HESTORE.HU

elektronikai alkatrész áruház

EN: This Datasheet is presented by the manufacturer.

Please visit our website for pricing and availability at www.hestore.hu.



BM3451-T16 Series

4 Cells Battery Professional Protectors

General Description

The BM3451-T16 is a professional protection IC for 4 cells rechargeable battery pack; it is highly integrated, high accuracy and generally used in power tools, vacuum cleaner and small UPS applications. The BM3451-T16 works constantly to monitor each cell's voltage, the current of charge or discharge, and the temperature of the environment to provide overcharge, over-discharge, discharge overcurrent, short circuit, charge overcurrent and over-temperature protections, etc. Besides, it also can change the protection delay time of overcharge, over-discharge and discharge overcurrent by setting the external capacitors.

Features

(1) High-accuracy voltage detection for each cell

·overcharge threshold	3.600V~4.600V	accuracy: ± 25 mV (+25°C) accuracy: ± 40 mV (-40°C to +85°C)
·overcharge hysteresis	0.1V	accuracy: ± 50 mV
·over-discharge threshold	1.6V~3.0V	accuracy: ± 80 mV
·over-discharge hysteresis	0V / 0.2V / 0.4V	accuracy: ± 100 mV

(2) Three grades voltage detection of discharge overcurrent

·discharge overcurrent 1	0.025V ~ 0.30V	(50 mV step)
·discharge overcurrent 2	0.2 V / 0.3V / 0.4V / 0.6V	
·short circuit	0.6V / 0.8V / 1.2V	

(3) Charge overcurrent detection

·detection voltage	-0.03V / -0.05V / -0.1V / -0.15V / -0.2 V
--------------------	---

(4) Setting of output delay time

·overcharge, over-discharge, discharge overcurrent 1 and discharge overcurrent 2 protection delay time can be set by external capacitors

(5) Controlling the state of charge or discharge by external signals

(6) The maximum output voltage of CO / DO: 12V

(7) Over-temperature protection

(8) Wide operation Temp Range:-40°C to +85°C

(9) Breaking wire protection

(10) Low power consumption

·operation mode (with Temp protection)	25 uA	typical
·operation mode (without Temp protection)	15 uA	typical
·sleeping mode	6 uA	typical

Applications

- Power tool
- Vacuum cleaner
- Small UPS backup battery



BM3451-T16 Series

Packages

·TSSOP16

Block Diagram

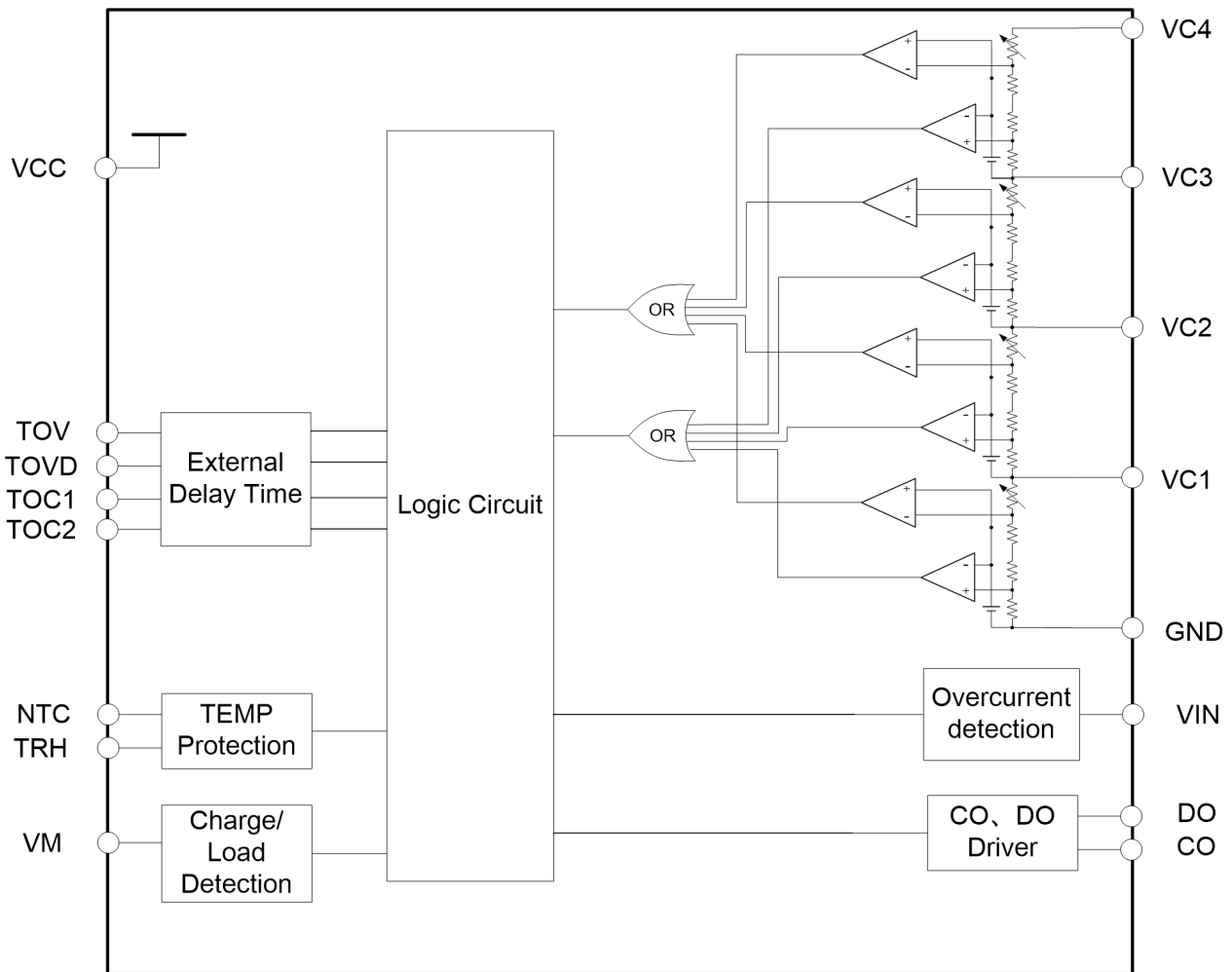


Figure 1



BM3451-T16 Series

Selection Guides

1. Products name structure

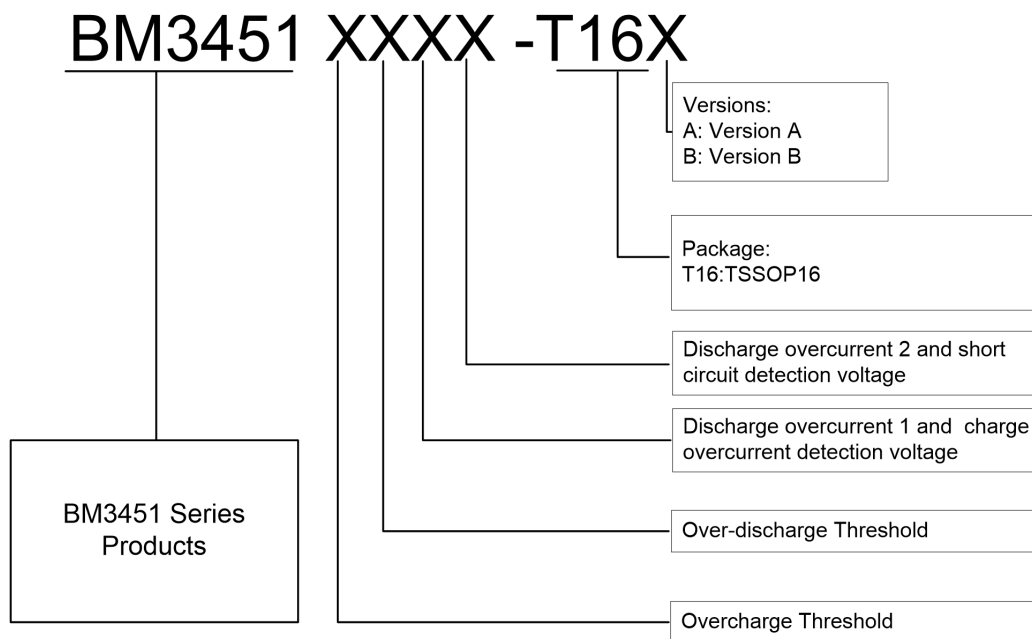


Figure 2

2. Products catalogue

Type/Item	Overcharge protection voltage [V _{DET1}]	Overcharge release voltage [V _{REL1}]	Over-discharge protection voltage [V _{DET2}]	Over-discharge release voltage [V _{REL2}]	Discharge overcurrent 1 detection voltage [V _{OC1}]	Discharge overcurrent 2 detection voltage [V _{OC2}]	Short circuit detection voltage [V _{SHORT}]	Charge overcurrent detection voltage [V _{OVCC}]
BM3451VJDC-T16A	4.300V	4.180V	2.500V	2.700V	0.100V	0.400V	0.800V	-0.050V
BM3451SMDC-T16A	4.225V	4.110V	2.750V	3.000V	0.100V	0.400V	0.800V	-0.050V
BM3451TNDC-T16A	4.250V	4.130V	2.800V	3.000V	0.100V	0.400V	0.800V	-0.050V
BM3451TNDE-T16A	4.250V	4.130V	2.800V	3.000V	0.100V	0.200V	0.600V	-0.050V
BM3451TJDC-T16A	4.250V	4.130V	2.500V	2.700V	0.100V	0.400V	0.800V	-0.050V
BM3451BHDC-T16A	3.650V	3.550V	2.350V	2.550V	0.100V	0.400V	0.800V	-0.050V
BM3451RNBE-T16A	4.200V	4.108V	2.800V	3.000V	0.050V	0.200V	0.600V	-0.050V
BM3451SJDE-T16A	4.225V	4.110V	2.500V	2.700V	0.100V	0.200V	0.600V	-0.050V

Table 1



BM3451-T16 Series

Pin Configurations

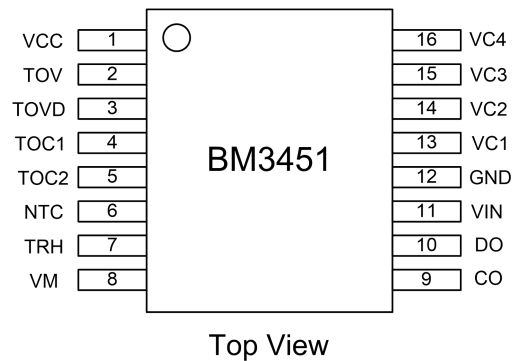


Figure 3

Pin Definition

Pin number	Name	Description
1	VCC	Power supply, Cell4 positive input
2	TOV	Connect to a capacitor for setting the delay time of overcharge protection
3	TOVD	Connect to a capacitor for setting the delay time of over-discharge protection
4	TOC1	Connect to a capacitor for setting the delay time of discharge overcurrent 1 protection
5	TOC2	Connect to a capacitor for setting the delay time of discharge overcurrent 2 protection
6	NTC	Cell temperature detection
7	TRH	Temperature protection reference
8	VM	Voltage detection terminal 1 for detecting load or charger
9	CO	Charge power MOSFET control terminal, Open-Drain output
10	DO	Discharge power MOSFET control terminal, CMOS output
11	VIN	Charge and Discharge overcurrent Voltage detection terminal 2
12	GND	Ground pin of the IC, Cell1 negative input
13	VC1	Cell1 positive input, Cell2 negative input
14	VC2	Cell2 positive input, Cell3 negative input
15	VC3	Cell3 positive input, Cell4 negative input
16	VC4	Cell4 positive input

Table 2

**BM3451-T16 Series****Absolute Maximum Ratings**

Item	Symbol	Description	Ratings	Unit
Power supply voltage	VCC	-	GND-0.3 ~ GND+30	V
Single cell input voltage	V _{CELL}	V _{cell4} , V _{cell3} V _{cell2} , V _{cell1}	GND-0.3 ~ GND+6	V
VM input voltage	VM	VM	GND-20 ~ GND+30	V
DO output voltage	V _{DO}	DO	GND-0.3 ~ VCC+0.3	V
CO output voltage	V _{CO}	CO	GND-20 ~ VCC+0.3	V
Operating temperature	T _A	-	-40 ~ +85	°C
Storage temperature	T _{STG}	-	-40 ~ +125	°C
HBM	V _{ESD}	-	2000	V

Table 3

Caution: The absolute maximum ratings are rated values exceeding which the product could suffer physical damage. These values must therefore not be exceeded in any conditions.

Electrical Characteristics(T_A=25°C unless otherwise specified)

Item	Symbol	Test conditions*1	Min.	Typ.	Max.	Unit	Test circuit
Power supply voltage	VCC	-	5	-	30	V	1
Operating consumption (Without the NTC)	I _{VCC1}	V1=V2=V3=V4=3.5V	-	15	25	μA	
Operating consumption (With the NTC)	I _{VCC2}	V1=V2=V3=V4=3.5V	-	25	40	μA	
VC4 consumption	I _{VC4}	V1=V2=V3=V4=3.5V	-	3	6	μA	
Sleeping consumption	I _{SLP}	V1=V2=V3=V4=2.0V	-	6	10	μA	
Overcharge	Protection threshold	V _{DET1} V1=V2=V3=3.5V V4=3.5→4.4V	V _{DET1} -0.025	V _{DET1}	V _{DET1} +0.025	V	2
	Protection delay time	T _{OV} V1=V2=V3=3.5V C _{OV} =0.1μF V4=3.5V→4.4V	0.5	1.0	1.5	s	
	Release threshold	V _{REL1} V1=V2=V3=3.5V V4=4.4V→3.5V	V _{REL1} -0.05	V _{REL1}	V _{REL1} +0.05	V	



BM3451-T16 Series

	Release delay time	T_{REL1}	V1=V2=V3=3.5V V4=4.4V→3.5V	10	20	30	ms	
	Temperature factor(1)	K_{U1}	Ta= -40°C to 85°C	-0.6	0	0.6	mV/°C	
	Reset time	T_{RESET}	-	5	10	15	ms	
Over-discharge	Protection threshold	V_{DET2}	V1=V2=V3=3.5V V4=3.5V→2.0V	V_{DET2} -0.08	V_{DET2}	V_{DET2} +0.08	V	
	Protection delay time	T_{OVD}	V1=V2=V3=3.5V C _{OVD} =0.1μF V4=3.5V→2.0V	0.5	1.0	1.5	s	
	Release threshold	V_{REL2}	V1=V2=V3=3.5V V4=2.0V→3.5V	V_{REL2} -0.10	V_{REL2}	V_{REL2} +0.10	V	
	Release delay time	T_{REL2}	V1=V2=V3=3.5V V4=2.0V→3.5V	10	20	30	ms	
Discharge overcurrent 1	Protection threshold	V_{OC1}	V1=V2=V3=V4=3.5V V5=0V→0.12V	V_{OC1} *85%	V_{OC1}	V_{OC1} *115%	V	3
	Protection delay time	T_{OC1}	V1=V2=V3=V4=3.5V C _{OC1} =0.1μF V5=0V→0.12V	100	200	300	ms	
	Release delay time	T_{ROC1}	V1=V2=V3=V4=3.5V V5=0V→0.12V→0V	100	200	300	ms	
	Resistance between VM and GND	R_{VMS}	V1=V2=V3=V4=3.5V V5=0V→0.12V	100	300	500	kΩ	
	Temperature factor(2)	K_{U2}	Ta= -40°C to 85°C	-0.1	0	0.1	mV/°C	
Discharge overcurrent 2	Protection threshold	V_{OC2}	V1=V2=V3=V4=3.5V V5=0V→0.5V	V_{OC2} *80%	V_{OC2}	V_{OC2} *120%	V	
	Protection delay time	T_{OC2}	V1=V2=V3=V4=3.5V C _{OC2} =0.1μF V5=0V→0.5V	10	20	30	ms	
Short circuit	Protection threshold	V_{SHORT}	V1=V2=V3=V4=3.5V V5=0V→1.2V	V_{SHORT} *80%	V_{SHORT}	V_{SHORT} *120%	V	
	Protection delay time	T_{SHORT}	V1=V2=V3=V4=3.5V V5=0V→1.2V→0V	100	300	600	μs	
Charge overcurrent	Protection threshold	V_{OVCC}	V1=V2=V3=V4=3.5V V5=0V→-0.2V	V_{OVCC} -0.015	V_{OVCC}	V_{OVCC} +0.015	V	4



BM3451-T16 Series

urrent	Protection delay time	T_{OVCC}	$V1=V2=V3=V4=3.5V$ $V5=0V \rightarrow -0.2V$	10	20	30	ms	
Output resistances	CO	R_{CO}	Normal time, Co "H" (12V)	3	5	8	$k\Omega$	5
	DO	R_{DO}	Normal time, Do "H" (12V)	3	5	8	$k\Omega$	6
			Protecting time, Do "L"	0.20	0.35	0.50		

Table 4

*1: All the test condition parameters above are designed based on Li+ parameters, other grade parameters can adjust by their own actual voltages.

Function Description

1. Overcharge

During charging, $V_{IN} > V_{OVCC}$ when IC doesn't work in the state of charge overcurrent, If any of VC1, (VC2-VC1), (VC3-VC2) and (VC4-VC3) is higher than V_{DET1} and lasts longer than T_{OV} , BM3451-T16 chip considers that the batteries work in the state of overcharge, the output voltage of CO will become to high resistance from high level, and then it will be pulled down to low level by external resistor. The charge MOSFET will be turned off and stop charging.

The overcharge protection state will be released if any of the next conditions occurs:

- (1) All cells' voltage is less than the Overcharge release threshold V_{REL1} and stays a period of time T_{REL1} .
- (2) $V_M > 100mV$ (connecting to the load), Battery voltage is lower than V_{DET1} and stays a period of time T_{REL1} .

2. Over-discharge

During discharging, $V_{IN} < V_{OVCC}$ when IC doesn't work in the state of discharge overcurrent. If any of VC1, (VC2-VC1), (VC3-VC2) and (VC4-VC3) is less than V_{DET2} and lasts longer than T_{OVD} . BM3451-T16 chip considers that the batteries work in the state of over-discharge and the output voltage of DO will turn to GND. The discharge MOSFET will be turned off and stop discharging, then the chip will enter sleeping mode.

The over-discharge protection state will be released if any of the next conditions occurs:

- (1) $V_M = 0mV$, all cells' voltage is higher than V_{REL2} and stays a period of time T_{REL2} .
- (2) $V_M < -100mV$ (connecting to the charger), all cells' voltage is higher than V_{DET2} and stays a period of time T_{REL2} .

3. Discharge Overcurrent

During discharging, the current varies with the load. The voltage of V_{IN} becomes higher with the current increasing. When the voltage of V_{IN} is higher than V_{OC1} and stays longer than T_{OC1} , we think the IC works in the state of discharge overcurrent 1; When the voltage of V_{IN} is higher than V_{OC2} and stays longer than T_{OC2} , we consider the IC works in the state of discharge overcurrent 2; When the voltage of V_{IN} is higher



BM3451-T16 Series

than V_{SHORT} and stays longer than T_{SHORT} , we think the IC works in the state of short circuit. When any of the three states occurs, the output voltage of DO changes to low level to turn off the discharge MOSFET and stop discharging. At the same time, R_{VMS} which is the inner pulling down resistance of VM is connected, and we know that VM is pad which we can lock the output voltage of DO by when chip works in the state of over-current discharge. Usually $V_{OC1} < V_{OC2} < V_{SHORT}$, $T_{OC1} > T_{OC2} > T_{SHORT}$. When IC works in discharge overcurrent, the output voltage of DO is locked in low level. The discharge overcurrent protection state will be released when disconnect the load.

4. Delay Time Setting

Overcharge and Over-discharge delay time can be calculated as follow:

$$T_{OV} = 10^7 \times C_{OV}; T_{OVD} = 10^7 \times C_{OVD}$$

Discharge overcurrent 1 delay time can be calculated as follow: $T_{OC1} = 2 \times 10^6 \times C_{OC1}$

Discharge overcurrent 2 delay time can be calculated as follow: $T_{OC2} = 2 \times 10^5 \times C_{OC}$

5. Charge Overcurrent

During charging, if the current is biggish with $V_{IN} < V_{OVCC}$ and stays longer than T_{OVCC} , the BM3451-T16 chip considers that the batteries work in the state of charge overcurrent, the output voltage of CO will be pulled down to low level and the charge MOSFET will be turned off and stop charging. Charge overcurrent protection will be released when we disconnect the charger.

6. Over-temperature

Usually, batteries should be prevented charging and discharging from over-temperature. The BM3451-T16 chip has this over-temperature protection. During over-temperature detecting, the BM3451-T16 considers discharge state acquiescently, only when $VM < -100mV$, the BM3451-T16 considers charge state. The thermostat resistor connecting to NTC pad is used to induct the pack's temperature, the resistor connecting TRH pad is used to set the reference of over-temperature protection. Assuming the resistance of NTC is R_{NTC} when the pack gets to the temperature of charge over-temperature protection, and then we set the resistance R_{TRH} of TRH be $R_{TRH} = 2 * R_{NTC}$. The over-discharge protection temperature is the temperature when the resistance of NTC become to $0.54 * R_{NTC}$. We can set the temperature of charge and discharge protection by changing the value of R_{TRH} .

Take 103AT-4 for example, NTC resistance is 10KΩ in normal temperature (25°C), and the temperature of charge over-temperature protection is 55°C. When the temperature is 55°C and chip works in the state of charging, R_{NTC} is 3.5KΩ, so R_{TRH} is equal to 7KΩ. We also know the NTC resistance is $0.54 * R_{NTC} = 1.89 KΩ$ when the pack arrive to the temperature of discharge over-temperature, the temperature is 75°C in this condition. The temperature hysteresis of charge over-temperature is 5°C and the temperature hysteresis of discharge over-temperature is 15°C. During charging, when the temperature is higher than 55°C, the output voltage of CO turns to high resistance, and will be pulled down to low level by external resistor, charge control MOSFET will be turned off and stops charging. And when the pack's temperature falls down to 50°C, CO changes to high level and charge control MOSFET be turned on again. During discharging, when the temperature is higher than 75°C, the output voltage of DO becomes to low level, discharge control



BM3451-T16 Series

MOSFET will be turned off and stop discharging, at the same time charge control MOSFET will also be turned off and stops charging. When pack's temperature falls down to 60°C, the output of CO and DO turn to high level, charge and discharge control MOSFET will both be turned on again.

7. Breaking wire protection

When one or multi wires of VC1, VC2, VC3 and VC4 are detected cut from the batteries by the BM3451-T16 chip, the IC will consider it enters a state of breaking wire, then CO will be in high resistance and DO will turn to GND level, then the IC enters low consumption state.



Operation Timing Charts

1. Overcharge/Over-discharge Protection

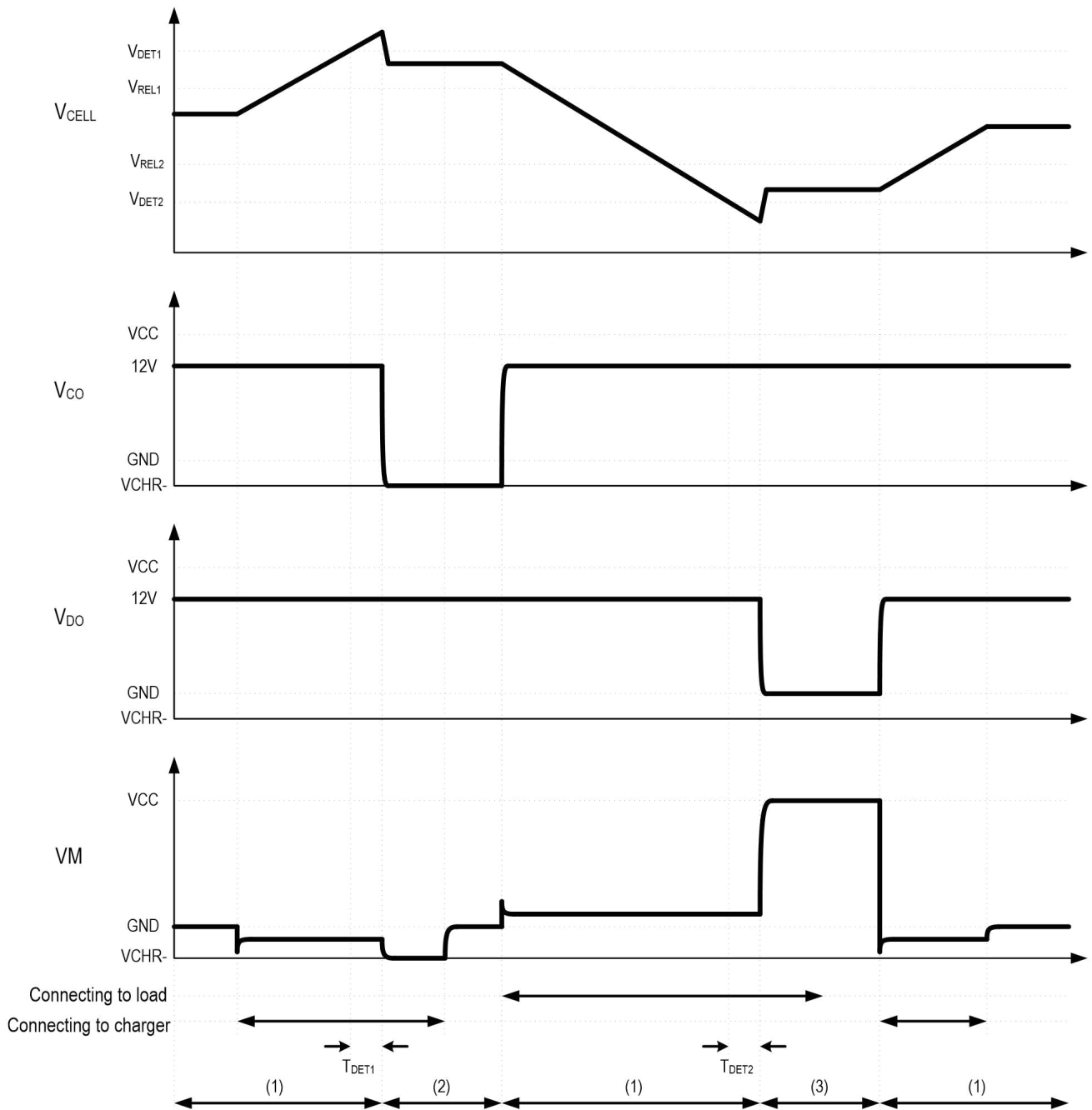


Figure 4

Assuming the charging current is constant, V_{CHR-} is the voltage of the charger's negative terminal:

- (1) Normal condition;
- (2) Overcharge protection state;



(3) Over-discharge protection state.

2. Discharge Overcurrent / Short Circuit / Charge Overcurrent Protection

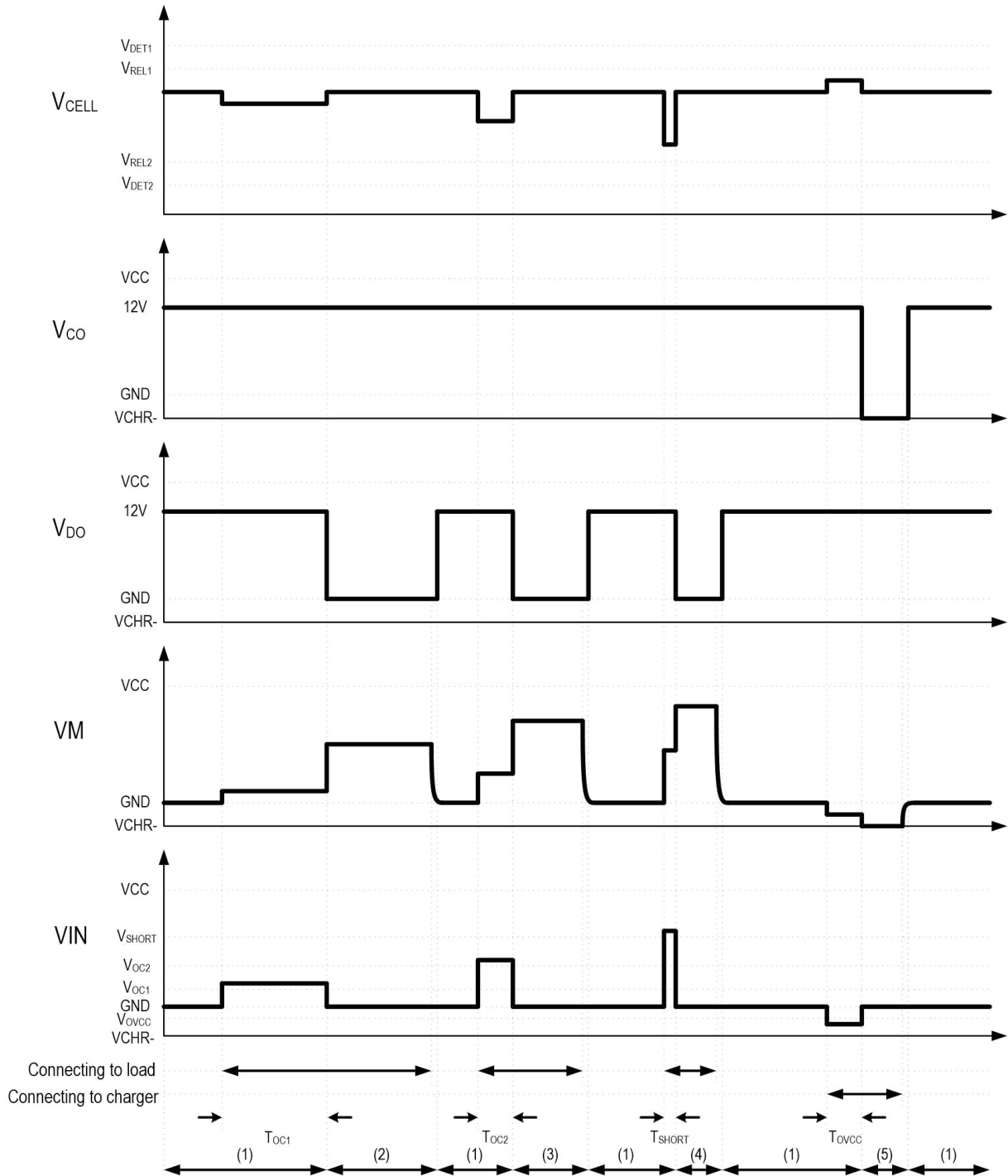


Figure 5

BM3451-T16 Series

Assuming the charging current is constant, VCHR- is the voltage of the charger's negative terminal:

- (1) Normal condition;
- (2) Discharge overcurrent 1 protection state;
- (3) Discharge overcurrent 2 protection state;
- (4) Short circuit protection state;
- (5) Charge overcurrent protection state.

Application Circuits

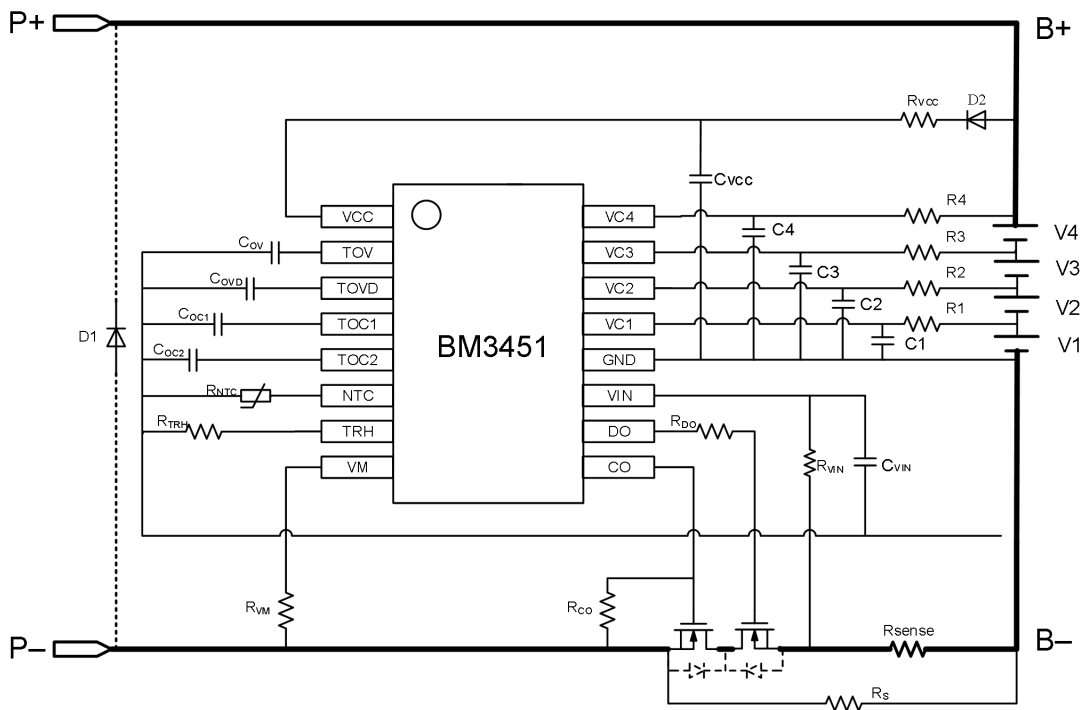


Figure 6 4-cell application
 --- charge and discharge NMOS control, circuits together

BM3451-T16 Series

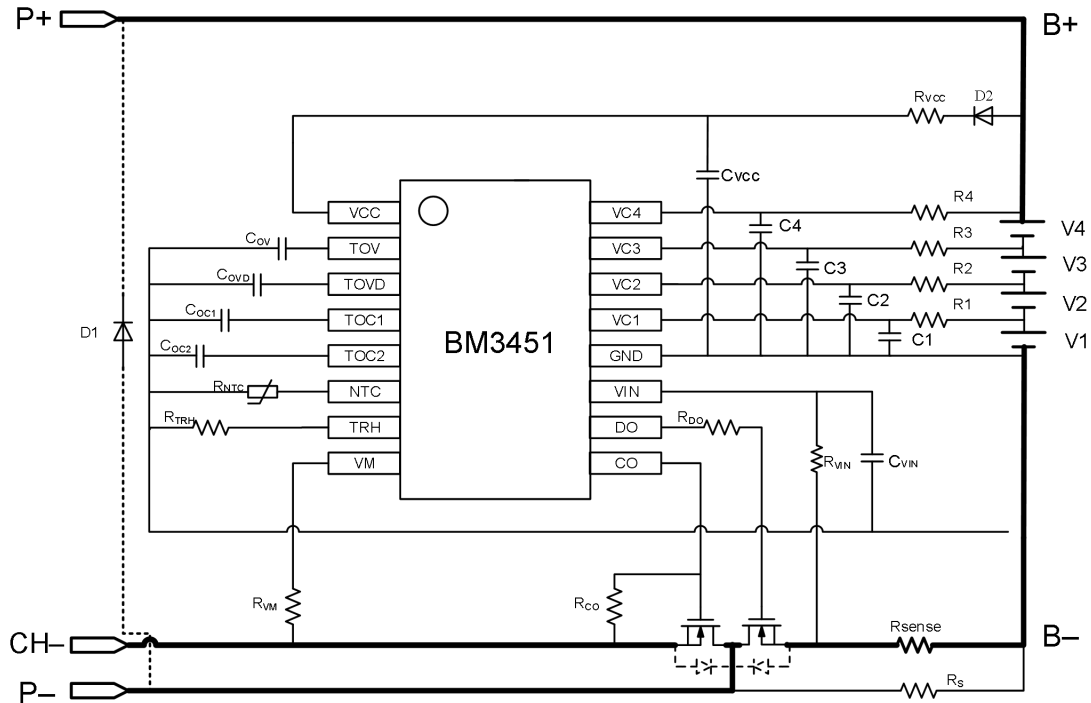
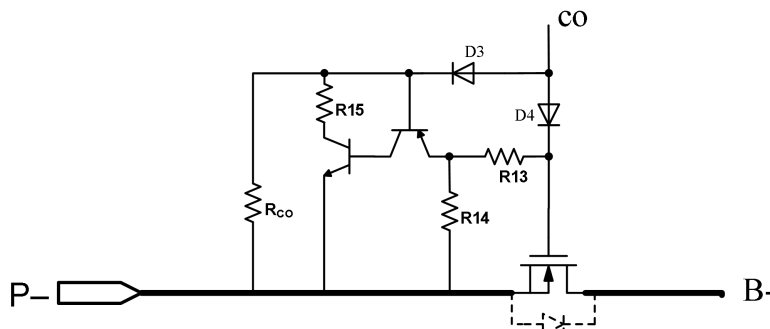
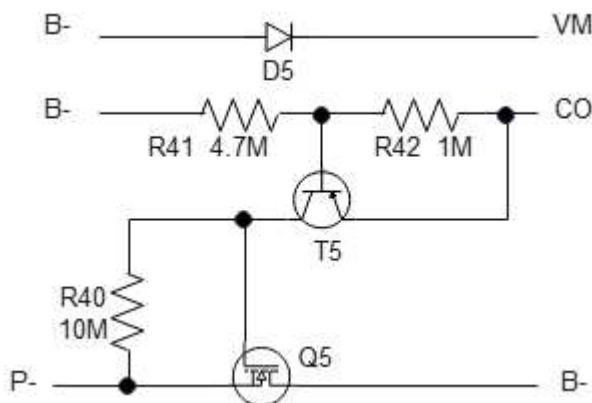


Figure 7 4-cell application
 --- charge and discharge NMOS control, circuits separated



To speed up the response of charge MOSFET, we recommend to add a fast pull-down circuit to CO pin.

**BM3451-T16 Series**

It is recommended when the charge voltage is 20V higher than the total battery voltage.

Constants for External Components:

Component Symbol	Typ.	Range	Unit	
R1、R2、R3、R4	1	0.1~2	kΩ	
R _{VCC}	1	0.1~2	kΩ	
R _{NTC}	100	-	kΩ	
R _{TRH}	7	-	kΩ	
R _{VM}	220	10-500	kΩ	
R _{CO} 、R _S	10	5~15	MΩ	
R _{DO} 、R _{VIN}	2	0~10	kΩ	
R _{sense}	5	1~50	mΩ	
C _{VCC}	2.2	0.47~4.7	uF	
C1, C2, C3, C4	0.1	0.1~4.7	Maximum endurable voltage >25V	
C _{ov} , C _{ovD} , C _{oc1} , C _{oc2}	0.1	-		uF
C _{VIN}	10	2.2~100		nF

Table 5

Note: When R_S = 2MΩ, DO can recover automatically when the load is disconnected after over-discharge protection. When R_S = 10MΩ, IC needs to be connected to the charge to activate after over-discharge protection and off load.

Test Circuits**1. Normal and Sleeping Current Consumption****Test circuit 1**

- (1) Set V1=V2=V3=V4=3.5V, the current flowing to GND is the normal operating current consumption.
- (2) On the condition of (1), then set V1=V2=V3=V4=2.0V, the current flowing to GND is the sleeping



current consumption.

2. Overcharge Protection Test

Test circuit 2

2.1 Overcharge threshold (V_{DET1}) and Overcharge release threshold (V_{REL1})

Set $V1=V2=V3=V4=3.5V$, make sure the output voltages of DO and CO pins are “H” level. Increase $V4$ gradually, monitor CO voltage and keep the condition not shorter than T_{DET1} , the value of $V4$ when CO turns from “H” to “L” is the overcharge threshold voltage. Decrease $V4$, the $V4$ when CO returns to “H” level again is the overcharge release threshold.

2.2 Overcharge protection delay time and Overcharge release delay time

- (1) Set $V1=V2=V3=V4=3.5V$, make sure the output voltages of DO and CO pins are “H” level. Increase $V4$ to 4.4V from 3.5V instantaneously, monitor CO voltage and keep a period of time. The time interval when CO turns from “H” to “L” is the overcharge protection delay time.
- (2) Set $V1=V2=V3=3.50V$, $V4=4.4V$, make sure the output voltage of DO is “H” level, CO is “L” level. Decrease $V4$ to 3.5V from 4.4V instantaneously, monitor CO voltage and keep a period of time. The time interval when the output voltage of CO turns from “L” to “H” is the overcharge release delay time.

3. Over-discharge Protection Test

Test circuit 2

3.1 Over-discharge threshold (V_{DET2}) and Over-discharge release threshold (V_{REL2})

Set $V1=V2=V3=V4=3.50V$, make sure the output voltages of DO and CO pins are “H” level. Decrease $V4$ gradually, monitor DO voltage and keep the condition not shorter than T_{DET2} , the value of $V4$ when the output voltage of DO turns from “H” to “L” is the over-discharge threshold voltage. Increase $V4$, the value of $V4$ when DO returns to “H” level again is the over-discharge release threshold.

3.2 Over-discharge protection delay time and Over-discharge release delay time

- (1) Set $V1=V2=V3=V4=3.50V$, make sure the output voltages of DO and CO pins are “H” level. Decrease $V4$ to 2.0V instantaneously, monitor DO voltage and keep a period of time. The time interval when DO turns from “H” to “L” is the over-discharge protection delay time.
- (2) Set $V1=V2=V3=3.50V$, $V4=2.0V$, make sure CO is “H” level, DO is “L” level. Increase $V4$ to 3.5V instantaneously, monitor DO voltage and keep a period of time. The time interval when the output voltage of DO turns from “L” to “H” is the overcharge release delay time.

4. Discharge overcurrent and short circuit Protection Test

Test circuit 3

4.1 Discharge overcurrent1 and 2 threshold (V_{DET3} , V_{DET4}) and short circuit threshold (V_{SHORT})

Set $V1=V2=V3=V4=3.5V$, $V5=0V$, make sure the output voltages of DO and CO pins are “H” level. Increase $V5$ gradually, monitor Do voltage and keep the condition for a period of time, the value of $V5$ when the output voltage of Do turns from “H” to “L”, is the discharge overcurrent 1 threshold



BM3451-T16 Series

(V_{DET3}). Decrease $V5$, the discharge overcurrent 1 protection will be released. V_{DET4} and V_{SHORT} can also be tested by their protection time differences, but $V5$ has a larger change.

4.2 Discharge overcurrent protection delay time and release delay time

- (1) Set $V1=V2=V3=V4=3.50V$, $V5=0V$, make sure the output voltages of DO and CO pins are “H”. Increase $V5$ to 0.2V instantaneously, monitor DO voltage and keep a period of time. The time interval when the output voltage of DO turns from “H” to “L” is the discharge overcurrent 1 protection delay time.
- (2) Set $V1=V2=V3=V4=3.50V$, $V5=0V$, make sure the output voltages of DO and CO pins are “H”. Increase $V5$ instantaneously with its value be larger, monitor DO voltage and keep a period of time. The time interval when the output voltage of DO turns from “H” to “L” is the discharge overcurrent 2 protection delay time, make sure its value is less than the discharge overcurrent 1 protection delay time, then the value of $V5$ at this time is the discharge overcurrent 2 threshold.
- (3) Set $V1=V2=V3=V4=3.50V$, $V5=0V$, make sure the voltages of DO and CO pins are “H”. Increase $V5$ instantaneously with its value larger and larger, monitor DO voltage and keep a period of time. The time interval when DO turns from “H” to “L” is the short circuit protection delay time, make sure its value is less than the discharge overcurrent 2 protection delay time, and the value of $V5$ at this time is the short circuit threshold.
- (4) Set $V1=V2=V3=V4=3.50V$, $V5=0.2V$, make sure the output voltage of DO pin and CO pin is “L” and “H”. Decrease $V5$ to 0V instantaneously, monitor DO voltage and last a period of time. The time interval when DO turns from “L” to “H” is the discharge overcurrent 1 release delay time, we can test the release delay time of discharge overcurrent 2 and short circuit by using the same method.

5. Charge overcurrent Protection Test

Test circuit 4

5.1 Charge overcurrent threshold

Set $V1=V2=V3=V4=3.50V$, $V5=0V$, make sure the output voltages of DO and CO pins are “H”. Increase $V5$ gradually, monitor CO voltage and keep a period of time. The value of $V5$ when the output voltage of CO turns from “H” to “L” is the charge overcurrent threshold.

5.2 Charge overcurrent protection delay time

Set $V1=V2=V3=V4=3.50V$, $V5=0V$, make sure the output voltages of DO and CO pins are “H”. Increase $V5$ to 0.3V instantaneously, monitor the CO voltage and keep a period of time. The time interval when the output voltage of CO pin turns from “H” to “L” is the charge overcurrent protection delay time.

6. Output/Input Resistance Test

The output resistances of CO and DO

- (1) The output resistance when the output voltages of CO and DO pins are both “H”.

Test circuit 5

Set $V1=V2=V3=V4=3.50V$, $V5=10.0V$, turn off the switch K and make sure the output voltage of CO pin is “H”. Measure the voltage V_A of CO pin; turn on the switch K, decrease the voltage $V5$



BM3451-T16 Series

gradually from 10V, monitor the value of I_A , and note down the output voltage V_B of CO pin when the value of I_A is 50 μ A, then the output resistance of CO is calculated as follows: $R_{COH} = (V_A - V_B)/50$ (M Ω)

We can also test the output resistance R_{DOH} of DO pin with using the same method.

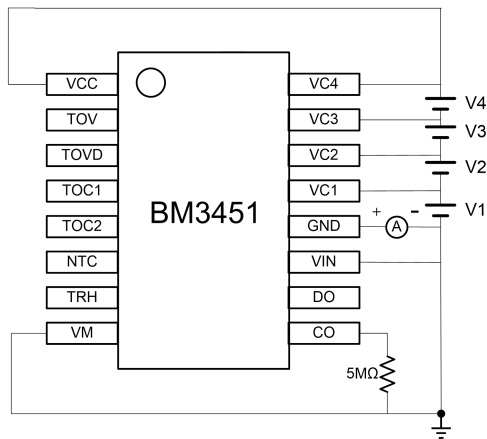
- (2) The output resistance when the output voltage of DO pin is "L".

Test circuit 6

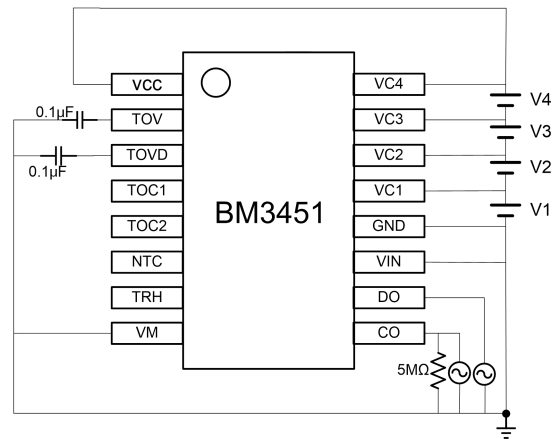
Set $V_1=V_2=V_3=V_4=2.00V$, $V_5=0.00V$, turn off the switch K and make sure the output voltage of DO pin is "L". Turn on the switch K, increase the voltage V_5 gradually from 0V, monitor the value of I_A , note down the output voltage V_{DO} of DO pin when the value of I_A is 50 μ A, then the output resistance of DO is calculated as follows: $R_{DOL} = V_{DO}/50$ (M Ω)



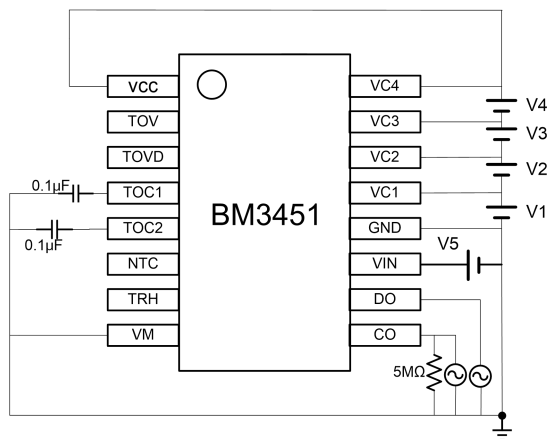
BM3451-T16 Series



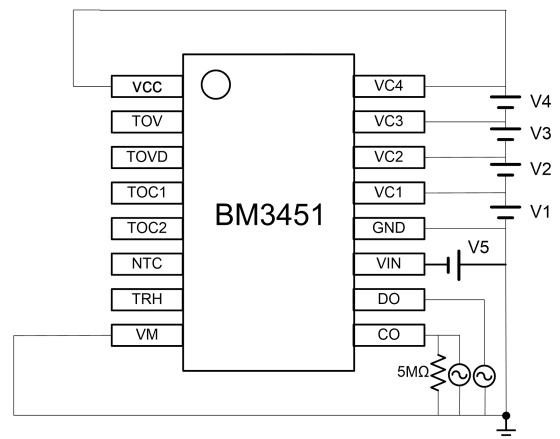
Test Circuit 1



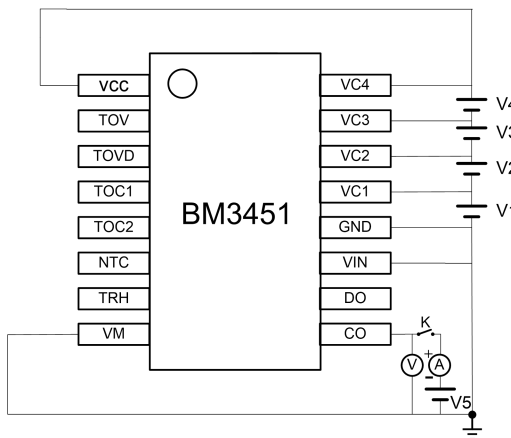
Test Circuit 2



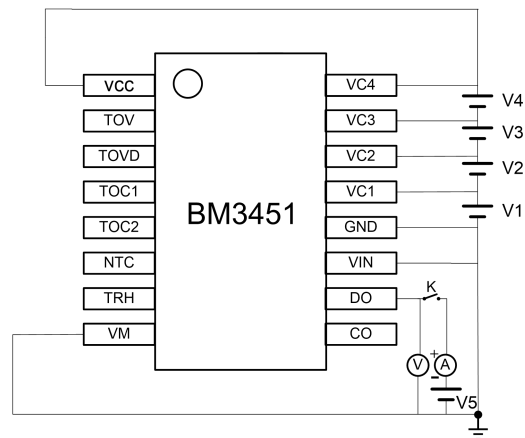
Test Circuit 3



Test Circuit 4



Test Circuit 5

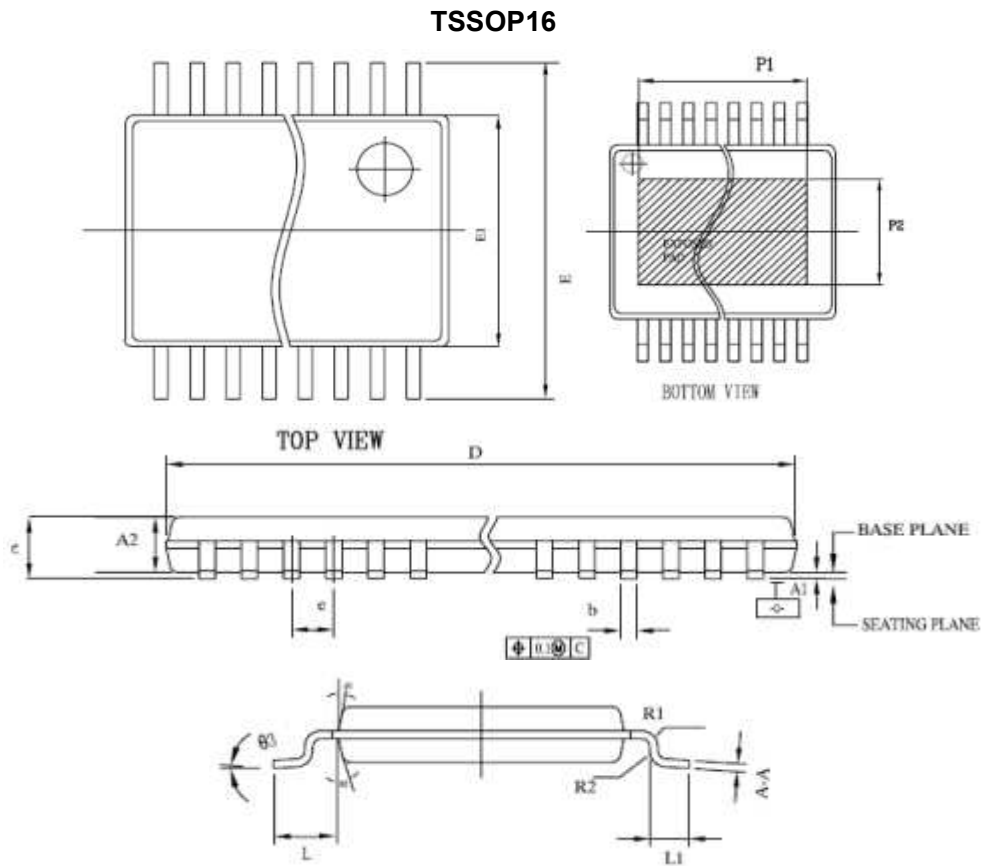


Test Circuit 6



BM3451-T16 Series

Package Information



Symbol	符号	TSSOP14/16LD	
		Min	Max
A	总高		1.2
A1	站高	0.25	0.15
A2	塑封体高	0.8	1.05
E	跨度	6.25	6.55
E1	塑封体宽	4.3	4.5
D	塑封体长	4.9	5.1
L	脚长		1
L1		0.45	0.75
e	脚间距	0.65	
b	脚宽	0.19	0.3
R1		0.15TYP	
R2		0.15TYP	
A-A		0.09	0.2
0 1	脱模斜度	12° TYP	
0 2	脱模斜度	12° TYP	
0 3	引脚角度	0	8

Packing

TSSOP16: MBB packing. 13" reel, 4000pcs per reel.



RESTRICTIONS ON PRODUCT USE

- The information contained herein is subject to change without notice.
- BYD Semiconductor Company Limited exerts the greatest possible effort to ensure high quality and reliability. Nevertheless, semiconductor devices in general can malfunction or fail due to their inherent electrical sensitivity and vulnerability to physical stress. It is the responsibility of the buyer, when utilizing products, to comply with the standards of safety in making a safe design for the entire system, including redundancy, fire-prevention measures, and malfunction prevention, to prevent any accidents, fires, or community damage that may ensue. In developing your designs, please ensure that products are used within specified operating ranges as set forth in the most recent products specifications.
- The products listed in this document are intended for usage in general electronics applications (computer, personal equipment, office equipment, measuring equipment, industrial robotics, domestic appliances, etc.). These products are neither intended nor warranted for usage in equipment that requires extraordinarily high quality and/or reliability or a malfunction or failure of which may cause loss of human life or bodily injury (“Unintended Usage”). Unintended Usage include atomic energy control instruments, airplane or spaceship instruments, transportation instruments, traffic signal instruments, combustion control instruments, medical instruments, all types of safety devices, etc.. Unintended Usage of products listed in this document shall be made at the customer’s own risk.