



HESTORE.HU

elektronikai alkatrész áruház

EN: This Datasheet is presented by the manufacturer.

Please visit our website for pricing and availability at www.hestore.hu.

User Manual SNZB-05P(EN)



Zigbee Water Leak Sensor

User Manual V1.0

Introduction

SNZB-05P is a low-power Zigbee 3.0 protocol-based water leak sensor that detects real-time water leakage in the environment. It allows for work with other devices through scene linkage settings. For instance, placing the sensor in areas like the basement, kitchen, or attic, it will trigger a Gateway sound alarm and send an App notification when water leakage is detected.



5-year Battery Life



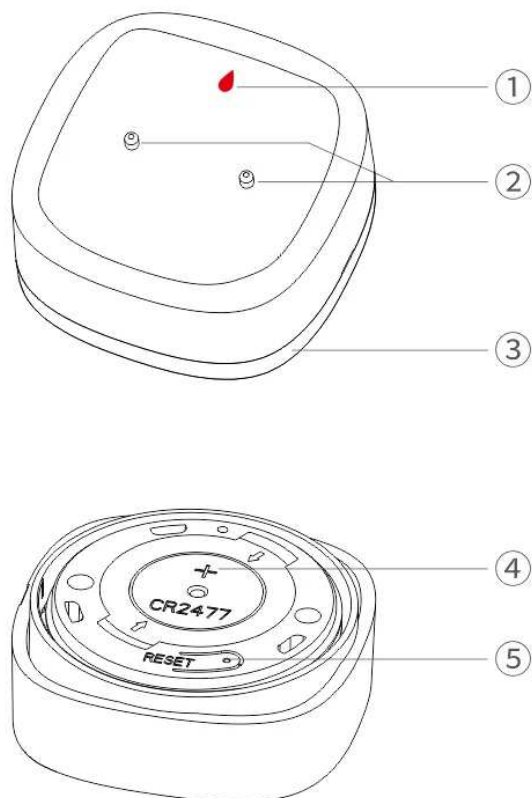
IP Rating



Gold-plated Probe
for Corrosion
Resistance



Extended Detection
Support



① LED indicator (Red)

- Flash slowly for 180 seconds: Device is in pairing mode.
- Keep on for 3s and then keep off: Pairing Successful
- Exit flashing slowly and keep off: Pairing Failed /Timeout
- Flash once quickly: Not added to the gateway, and short press the button.
- Flash twice quickly: Added to the gateway and online, and short press the button
- Flash slowly for 30 seconds: Abnormal communication

② Probe Foot

③ Bottom Cover

④ Battery Cover

⑤ Button

- Press and hold for 5 seconds: Device enters the pairing mode.

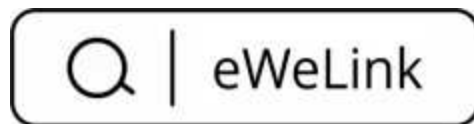
Specification

Model	SNZB-05P
MCU	EFR32MG22
Input	3V _{DC}
Battery model	CR2477
Color	White
IP rating	IP67
Usage	Placed on the ground (with optional external extension cord).
Communication distance	130m (Open space)

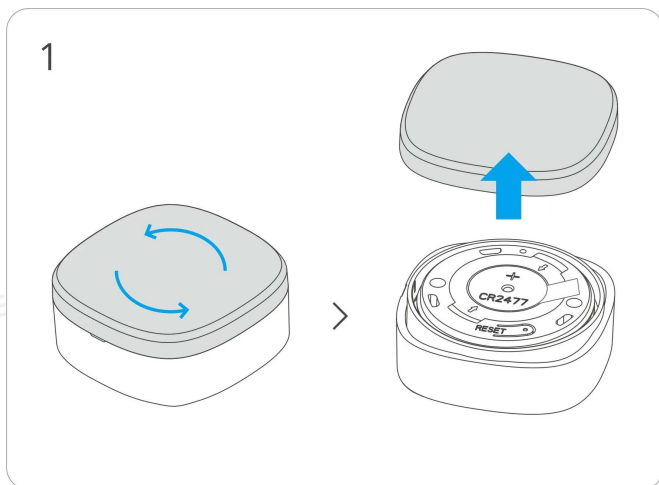
Battery life	5 years (Trigger frequency: 50 times/day)
Product dimension	48x48x21.6mm
Net weight	34.3g (Battery not included)
Casing materials	PC+ABS
Wireless connection	Zigbee 3.0
Pairing time	180s
Applicable place	Indoor
Working temperature	-10°C ~ 60°C
Working humidity	0-100%RH
Working height	Less than 5000m
Certification	CE/FCC/ISED/RoHS
Executive standard	EN 62368-1

Download the eWeLink App & Add SONOFF Zigbee gateway.

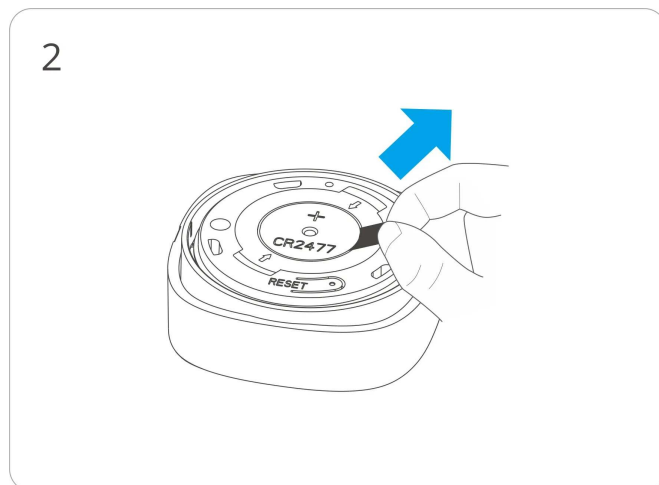
Please download the "eWeLink" App from Google Play Store or Apple App Store.



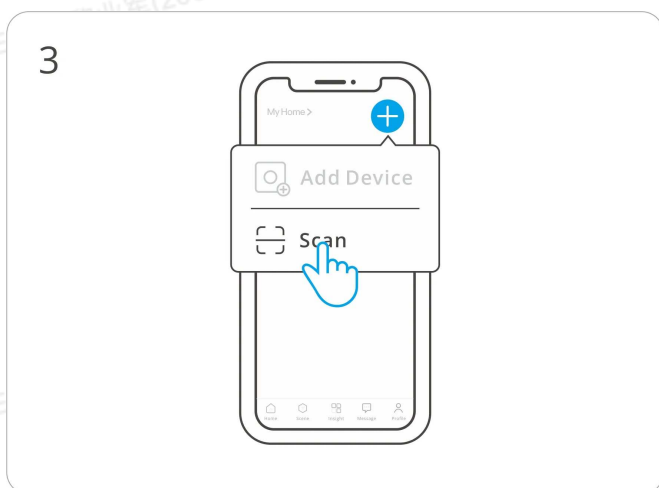
Scan QR Code to Add Device



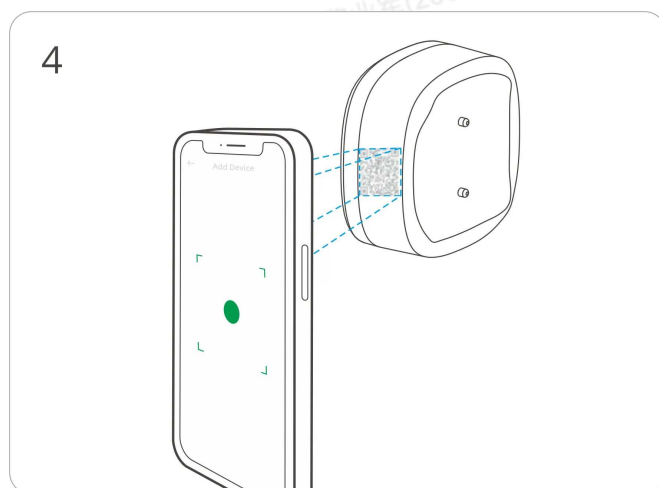
Rotate and remove the bottom cover.



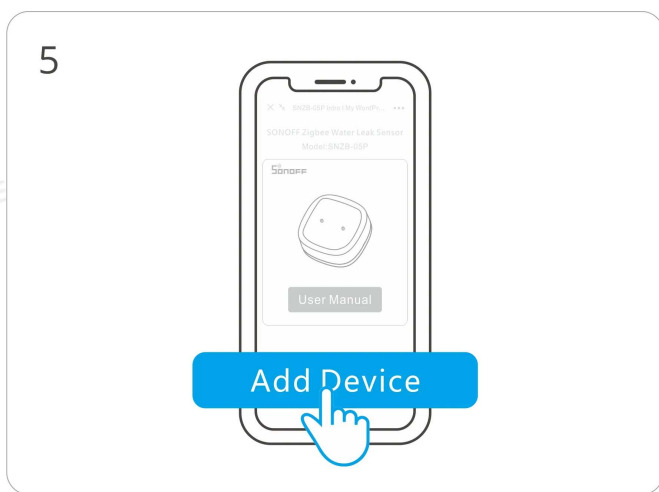
Take out the battery insulation sheet to power on the device.



Enter "Scan".



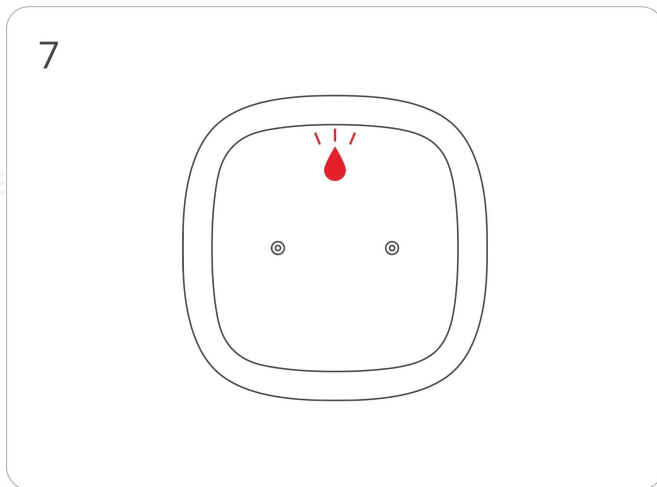
Scan the QR code on the device.



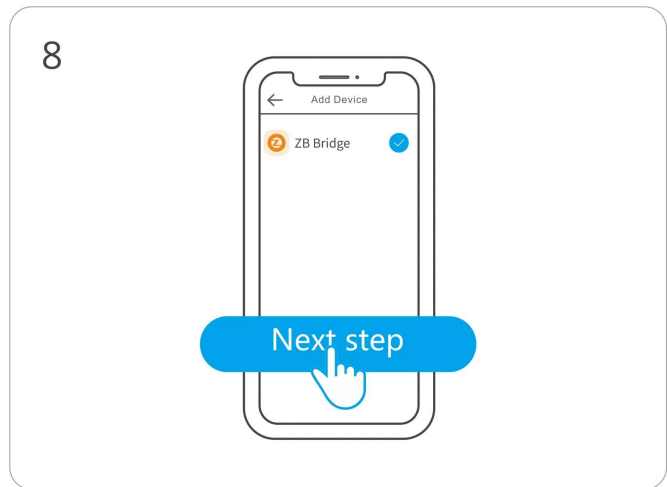
Select "Add Device".



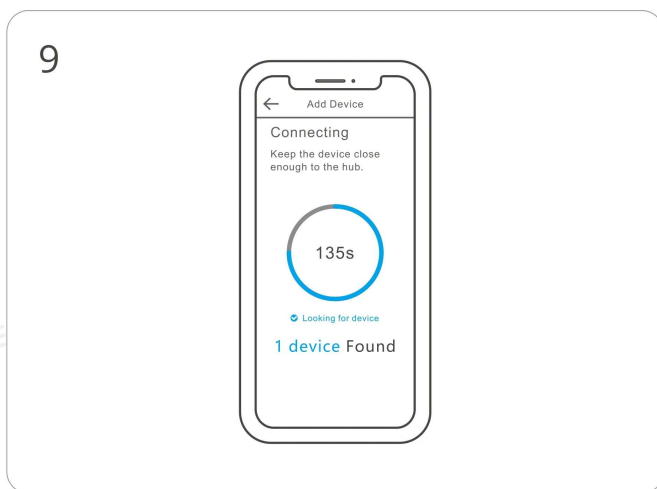
Long press the button for 5 seconds.



The LED indicator flashes slowly for 180s.



Select Zigbee gateway.



Wait until the addition is done.

Matched Gateways

SONOFF ZBBridge, ZBBridge-P, NSPanel Pro, AlBridge, ZBDongel-P, ZBDongel-E

Third-party compatible gateway models:

SmartThings Gateway Model: SmartThings Hub V3, Aeotec Smart Home Hub V3

Other gateways supporting ZigBee3.0 wireless protocol. Detailed information is in accordance with the final product.

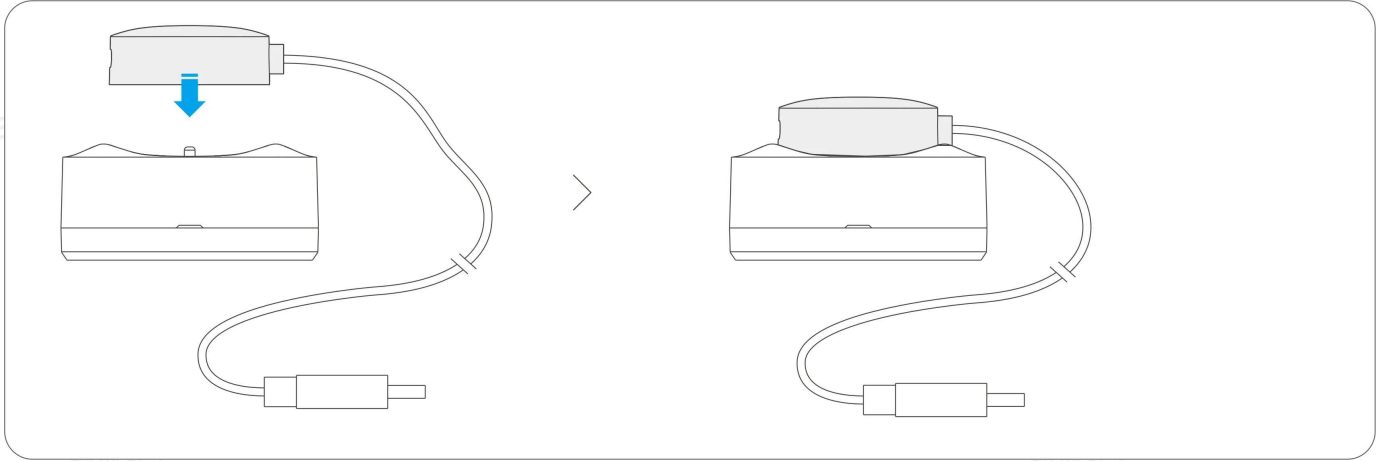
Effective Communication Distance Verification

Install the device in the desired place, then press the Pairing button on the device. The LED indicator flashes twice means the device and the device under the same Zigbee network (the

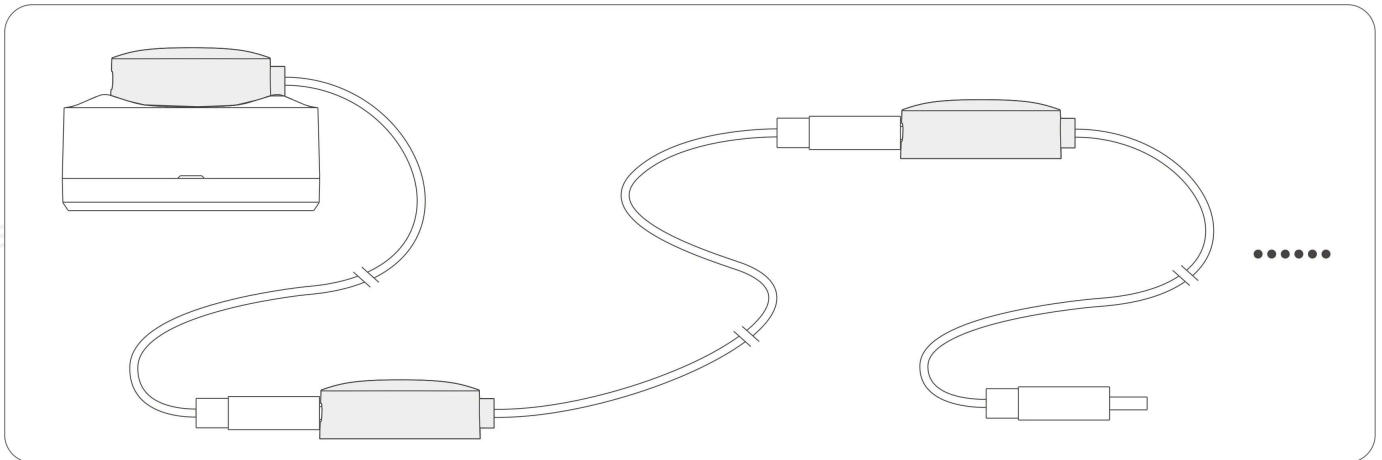
router device or hub) are in the effective communication distance.

Usage Illustration with Water Leak Detection Cable

One device paired with one water leak detection cable:



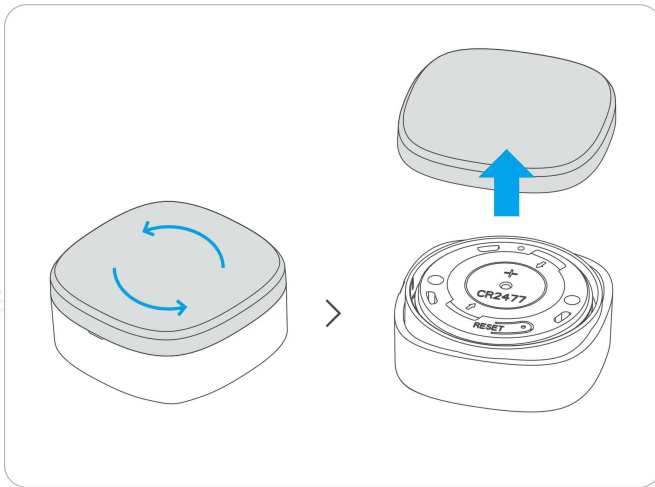
One device paired with multiple water leak detection cables:



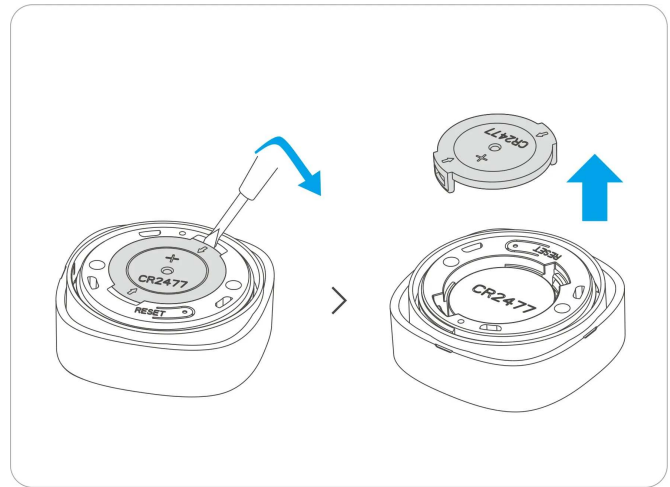
Cautions

1. In high humidity conditions, the water leak detection cable may trigger leak detection.
2. After detecting water immersion, please thoroughly dry the water immersion line before reusing it.

Battery Replacement



Rotate and remove the bottom cover of the device.



Lift the battery cover (both sides need to be lifted).

FCC Compliance Statement

1. This device complies with part 15 of the FCC Rules. Operation is subject to the following two conditions:

- (1) This device may not cause harmful interference, and
- (2) This device must accept any interference received, including interference that may cause undesired operation.

2. Changes or modifications not expressly approved by the party responsible for compliance could void the user's authority to operate the equipment.

Note: This equipment has been tested and found to comply with the limits for a Class B digital device, pursuant to part 15 of the FCC Rules. These limits are designed to provide reasonable protection against harmful interference in a residential installation. This equipment generates, uses and can radiate radio frequency energy and, if not installed and used in accordance with the instructions, may cause harmful interference to radio communications. However, there is no guarantee that interference will not occur in a particular installation. If this equipment does cause harmful interference to radio or television reception, which can be determined by turning the equipment off and on, the user is encouraged to try to correct the interference by one or more of the following measures:

- Reorient or relocate the receiving antenna.
- Increase the separation between the equipment and receiver.
- Connect the equipment into an outlet on a circuit different from that to which the receiver is

connected.

—Consult the dealer or an experienced radio/TV technician for help.

FCC Radiation Exposure Statement:

This equipment complies with FCC radiation exposure limits set forth for an uncontrolled environment.

This equipment should be installed and operated with minimum distance of 20 cm between the radiator and your body.

This transmitter must not be co-located or operating in conjunction with any other antenna or transmitter.

ISED Notice

This device contains licence-exempt transmitter(s)/receiver(s) that comply with Innovation, Science and Economic Development Canada's licence-exempt RSS(s). Operation is subject to the following two conditions:

- (1) This device may not cause interference.
- (2) This device must accept any interference, including interference that may cause undesired operation of the device.

This Class B digital apparatus complies with Canadian ICES-003(B).

This device complies with RSS-247 of Industry Canada. Operation is subject to the condition that this device does not cause harmful interference.

L'émetteur/récepteur exempt de licence contenu dans le présent appareil est conforme aux CNR d'Innovation, Sciences et Développement économique Canada applicables aux appareils radio exempts de licence. L'exploitation est autorisée aux deux conditions suivantes :

- (1) L'appareil ne doit pas produire de brouillage;
- (2) L'appareil doit accepter tout brouillage radioélectrique subi, même si le brouillage est susceptible d'en compromettre le fonctionnement.

Cet appareil numérique de la Classe B conforme à la norme NMB-003(B) du Canada.

Cet appareil est conforme à la norme RSS - 247 d'Industrie Canada. Le fonctionnement est soumis à la condition que cet appareil ne provoque pas d'interférences nuisibles.

ISED Radiation Exposure Statement

This equipment complies with ISED radiation exposure limits set forth for an uncontrolled

environment.

This equipment should be installed and operated with minimum distance of 20 cm between the radiator and your body.

This transmitter must not be co-located or operating in conjunction with any other antenna or transmitter.

Cet équipement est conforme aux limites d'exposition aux rayonnements de la ISED établies pour un environnement non contrôlé.

Cet équipement doit être installé et fonctionner à au moins 20cm de distance d'un radiateur ou de votre corps.

Cet émetteur ne doit pas être co-localisé ou fonctionner en conjonction avec une autre antenne ou un autre émetteur.

SAR Warning

Under normal use of condition, this equipment should be kept a separation distance of at least 20 cm between the antenna and the body of the user.

Dans des conditions normales d'utilisation, cet équipement doit être maintenu à une distance d'au moins 20 cm entre l'antenne et le corps de l'utilisateur.

EU Declaration of Conformity

Hereby, Shenzhen Sonoff Technologies Co., Ltd. declares that the radio equipment type SNZB-05P is in compliance with Directive 2014/53/EU. The full text of the EU declaration of conformity is available at the following internet address: <https://sonoff.tech/compliance/>

For CE frequency

EU Operating Frequency Range:

Zigbee : 2405–2480 MHz

EU Output Power:

Zigbee ≤ 10dBm

WEEE Disposal and Recycling Information



WEEE Disposal and Recycling Information All products bearing this symbol are waste electrical and electronic equipment (WEEE as in directive 2012/19/EU) which should not be mixed with unsorted household waste. Instead, you should protect human health and the environment by handing over your waste equipment to a designated collection point for the recycling of waste electrical and electronic equipment, appointed by the government or local authorities. Correct disposal and recycling will help prevent potential negative consequences to the environment and human health. Please contact the installer or local authorities for more information about the location as well as terms and conditions of such collection points.



Do not ingest battery, Chemical Burn Hazard.

This product contains a coin/button cell battery.

If the coin/button cell battery is swallowed, it can cause severe internal burns in just 2 hours and can lead to death.

Keep new and used batteries away from children.

If the battery compartment does not close securely, stop using the product and keep it away from children.

If you think batteries might have been swallowed or placed inside any part of the body, seek immediate medical attention.


Replacement of a battery with an incorrect type that can defeat a safeguard (for example, in the case of some lithium battery types).


Disposal of a battery into fire or a hot oven, or mechanically crushing or cutting of a battery, that can result in an explosion.

Leaving a battery in an extremely high temperature surrounding environment that can result in an explosion or the leakage of flammable liquid or gas.

A battery subjected to extremely low air pressure that may result in an explosion or the leakage of flammable liquid or gas.

UL 4200A compliance statement

⚠ WARNING	
<ul style="list-style-type: none">• INGESTION HAZARD: This product contains a button cell or coin battery.• DEATH or serious injury can occur if ingested.• A swallowed button cell or coin battery can cause Internal Chemical Burns in as little as 2 hours.• KEEP new and used batteries OUT OF REACH of CHILDREN.• Seek immediate medical attention if a battery is suspected to be swallowed or inserted inside any part of the body.	

	Warning: contains coin battery, The icon must be at least 7 mm in width and 9 mm in height and must be on the product display panel.
---	--

- Remove and immediately recycle or dispose of used batteries according to local regulations and keep away from children. Do NOT dispose of batteries in household trash or incinerate.
- Even used batteries may cause severe injury or death.
- Call a local poison control center for treatment information .
- Compatible battery type: CR2477
- Nominal battery voltage: 3V==
- Non-rechargeable batteries are not to be recharged.
- Do not force discharge, recharge, disassemble, heat above 60°C or incinerate. Doing so may result in injury due to venting, leakage or explosion resulting in chemical burns.
- Ensure the batteries are installed correctly according to polarity(+ and -)•
- Do not mix old and new batteries, different brands or types of batteries, such as alkaline, carbon-zinc, or rechargeable batteries.
- Remove and immediately recycle or dispose of batteries from equipment not used for an extended period of time according to local regulations.
- Always completely secure the battery compartment. If the battery compartment does not close securely, stop using the product, remove the batteries, and keep them away from children.

Scatola	Manuale	Borsa	Borsa
PAP 21	PAP 22	CPE 7	LDPE 4
Carta	Carta	Plastica	Plastica
RACCOLTA DIFFERENZIATA			
Verifica le disposizioni del tuo Comune.			
Separa le componenti e conferiscile in modo corretto.			

SONOFF

Manufacturer: Shenzhen Sonoff Technologies Co., Ltd.

Address: 3F & 6F, Bldg A, No. 663, Bulong Rd, Shenzhen, Guangdong, China

ZIP code: 518000

Service email: support@itead.cc

Website: sonoff.tech

Made in China



