



**HESTORE.HU**

elektronikai alkatrész áruház

**EN:** This Datasheet is presented by the manufacturer.

Please visit our website for pricing and availability at [www.hestore.hu](http://www.hestore.hu).



1

Locking systems

2

Locks  
Latches

External hinges

4

Clamps

5

Accessories

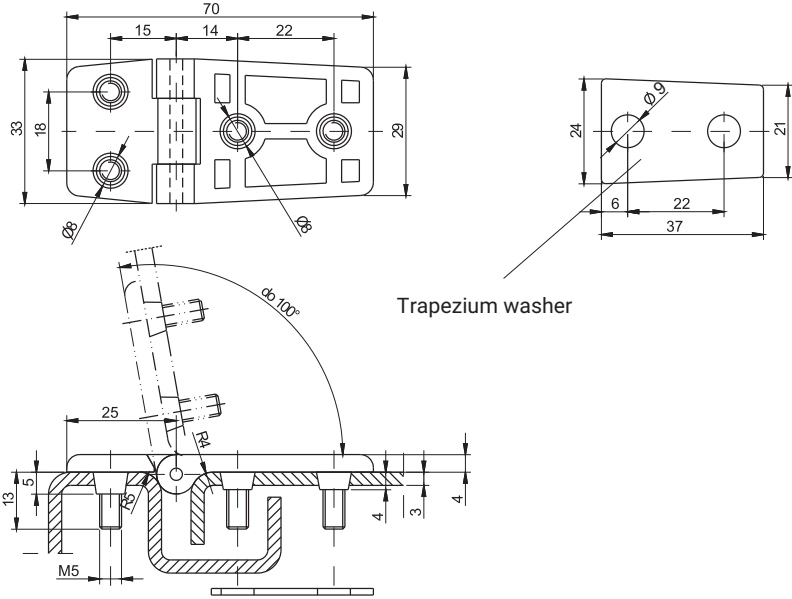
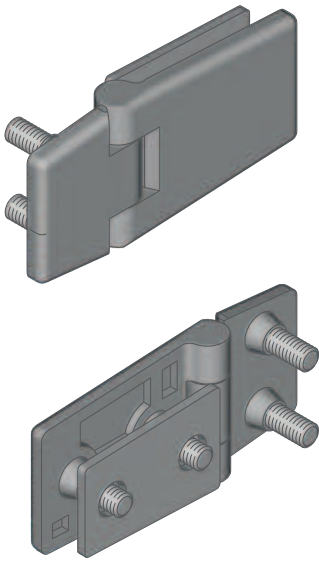
6

Gasketing profiles

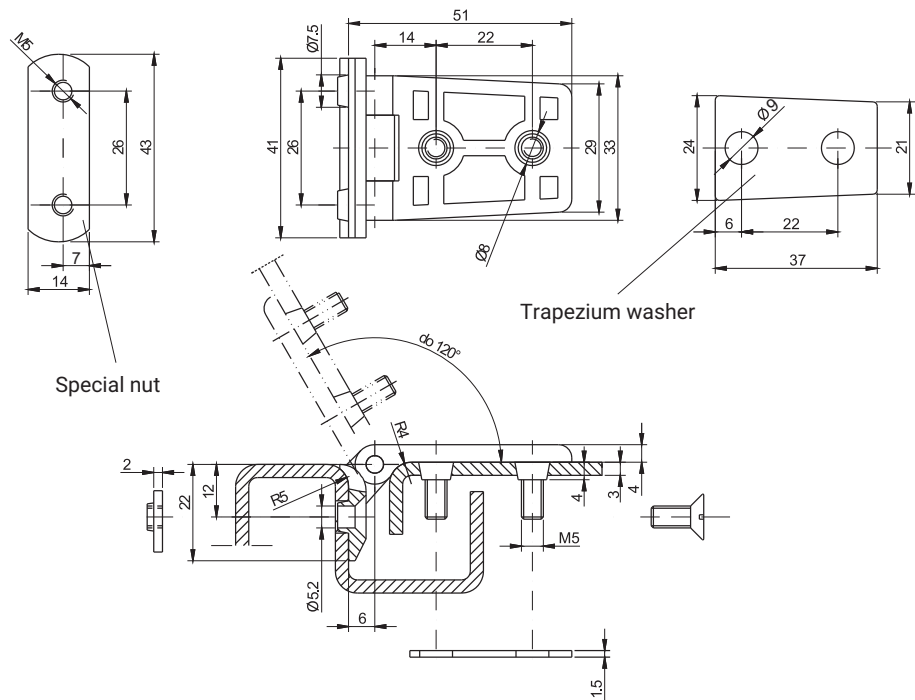
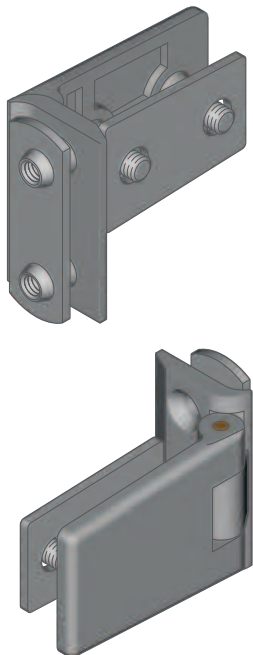
7

Custom products

# Hinge 3.ZN1, 3.ZN2



CATALOGUE NUMBER	COMPONENTS	MATERIAL	FINISH [C]	
			RAL 9005	RAL 7035
3.ZN1.001	Holder, Base	ZAMAK 5	04	05
	Pin	Brass		
	Washer, nut	Steel zinc plated		



CATALOGUE NUMBER	COMPONENTS	MATERIAL	FINISH [C]	
			RAL 9005	RAL 7035
3.ZN2.001	Holder, Base	ZAMAK 5	04	05
	Pin	Brass		
	Washer, nut	Steel zinc plated		

**How to order:**

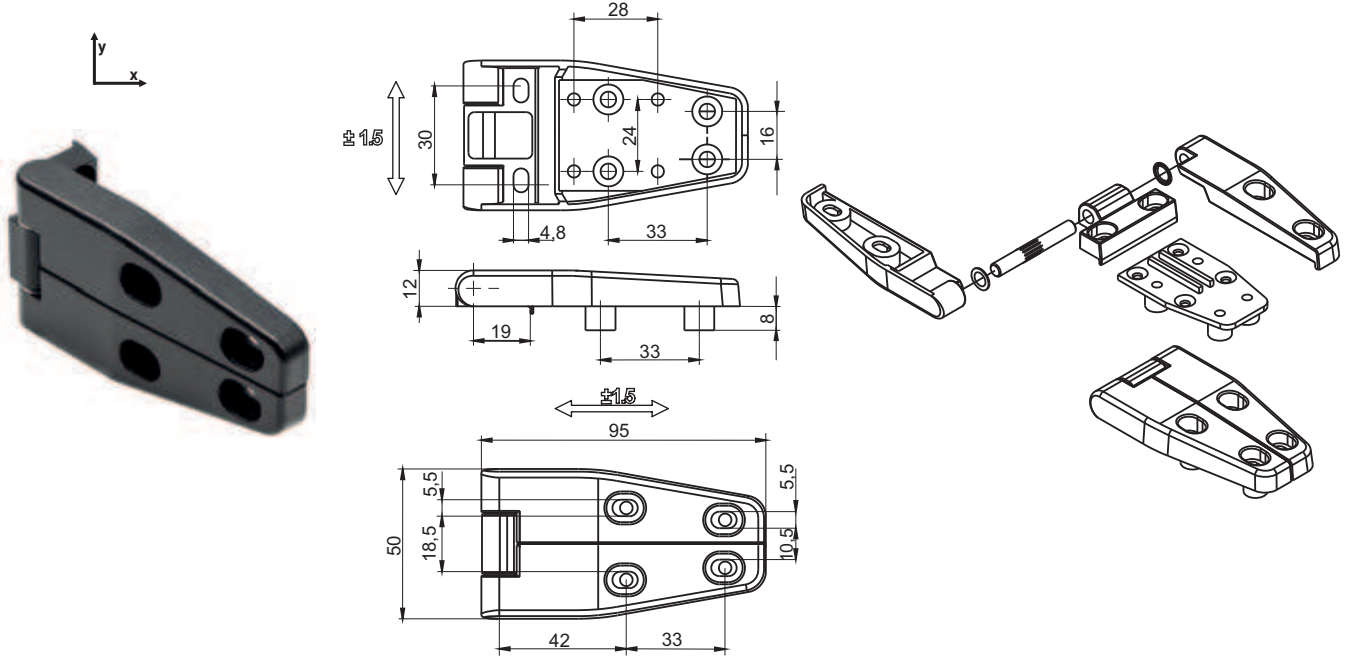
Catalogue number  
Finish

3.ZN1.001 — C

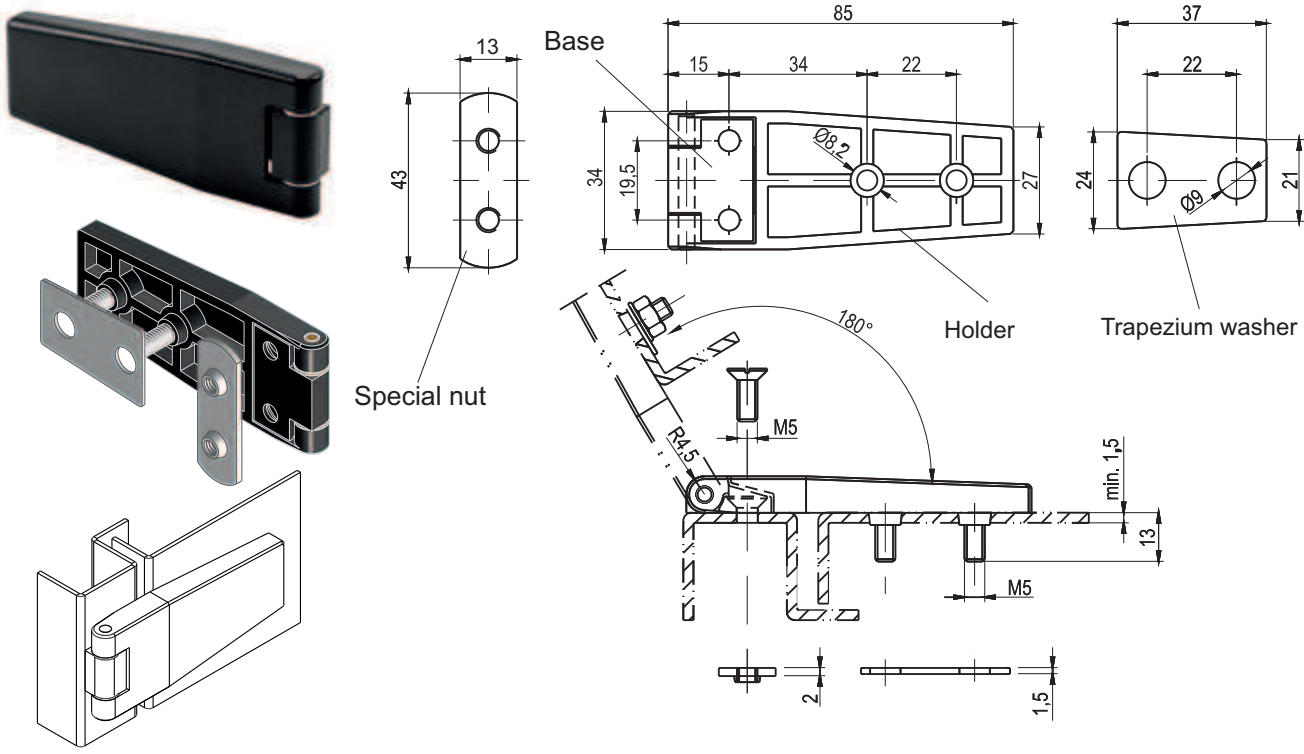




# Hinge 3.ZN115, 3.ZN110



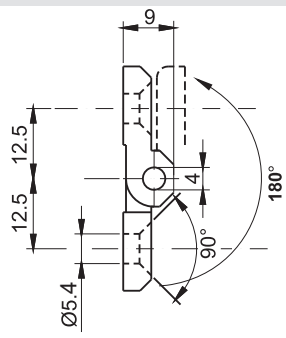
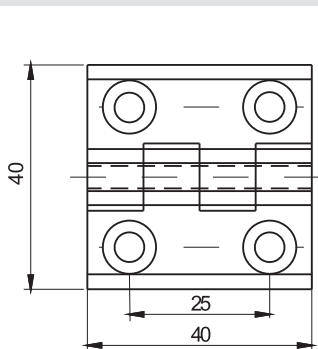
CATALOGUE NUMBER	COMPONENTS	MATERIAL	FINISH [C]	
			RAL 9005	RAL 7035
3.ZN115.001	Holder, Base,	ZAMAK 5	04	05
	Pin Washer, Nut	Steel zinc plated		



CATALOGUE NUMBER	COMPONENTS	MATERIAL	FINISH [C]	
			RAL 9005	RAL 7035
3.ZN110.001	Holder, Base,	ZAMAK 5	04	05
	Pin Washer, Nut	Steel zinc plated		

**How to order:**  
 Catalogue number 3.ZN115.001 — C  
 Finish \_\_\_\_\_

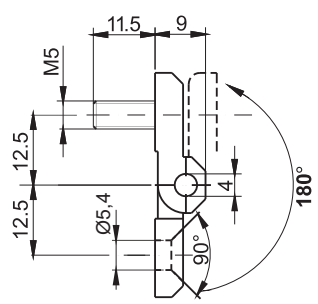
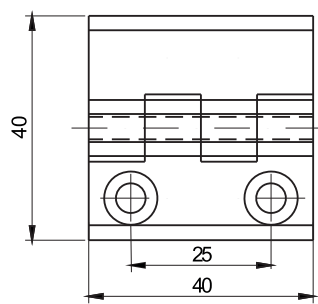
# Hinge 3.ZN60



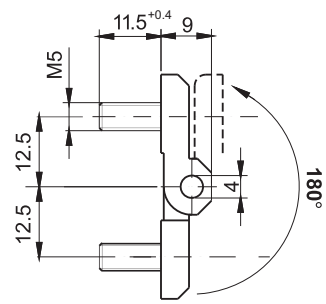
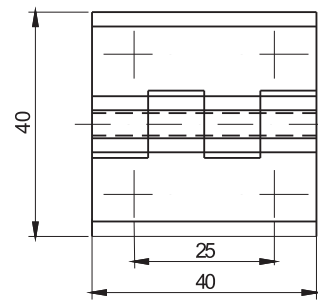
stainless steel



CATALOGUE NUMBER	COMPONENTS	MATERIAL	FINISH [C]			
			Chrome	RAL9005	RAL7035	Stainless steel
3.ZN60.001	Holder, Base	ZAMAK 5 *	01	04	05	-
	Pin	Stainless steel *				
3.ZN60.001PA	Holder, Base	Polyamide	-	07	-	-
	Pin	Stainless steel *				
3.ZN60.003SN	Holder, Base, Pin	Stainless steel polished	-	-	-	9.1



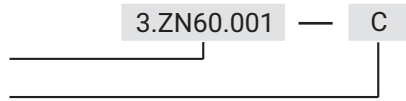
CATALOGUE NUMBER	COMPONENTS	MATERIAL	FINISH [C]		
			Chrome	RAL9005	RAL7035
3.ZN60.004	Holder, Base	ZAMAK 5 *	01	04	05
	Screw	Steel zinc plated *			
	Screw	Steel zinc plated *			



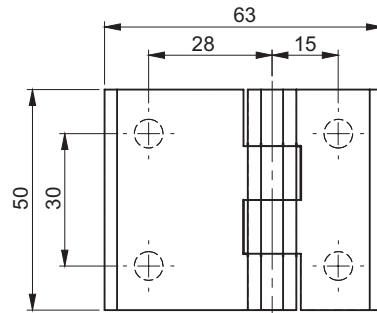
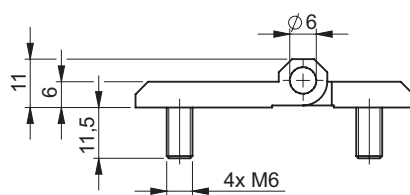
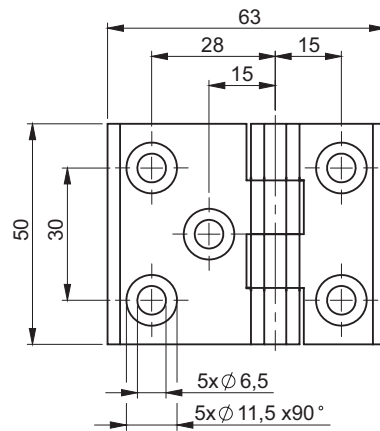
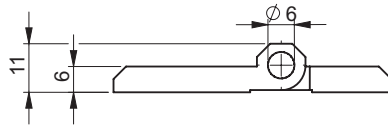
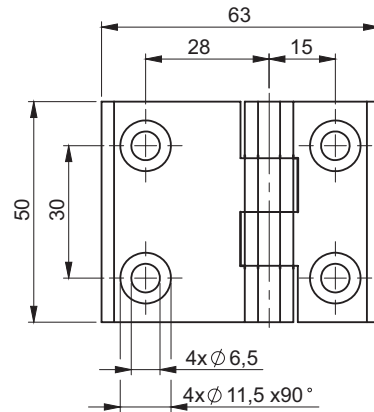
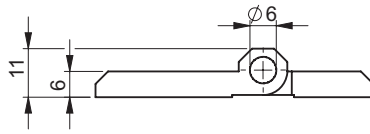
CATALOGUE NUMBER	COMPONENTS	MATERIAL	FINISH [C]		
			Chrome	RAL9005	RAL7035
3.ZN60.002	Holder, Base	ZAMAK 5 *	01	04	05
	Pin	Steel zinc plated *			
	Screw	Steel zinc plated *			

**How to order:**

Catalogue number  
Finish



## 3.509.XY



where:

**X** - the way of assembling the hinge

0 - version with 4 holes

1 - version with 5 holes

3 - version with 4 screw

**Y** - finish

1 - Chrome

2 - RAL 9005

### HINGE

### FINISH

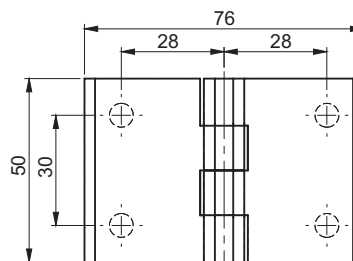
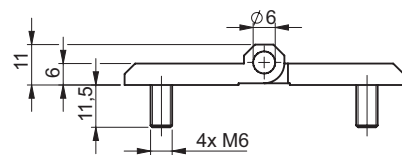
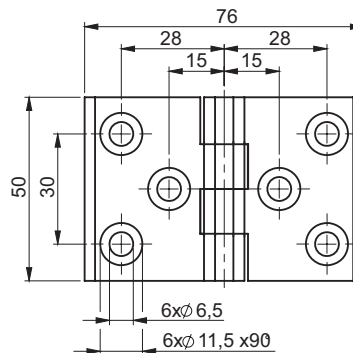
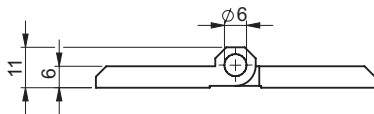
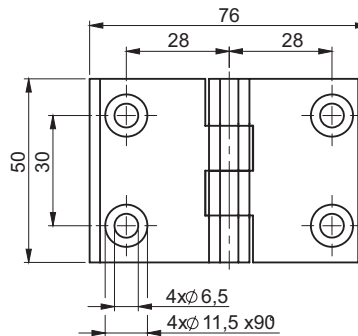
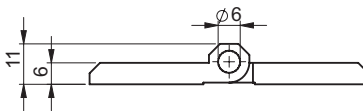
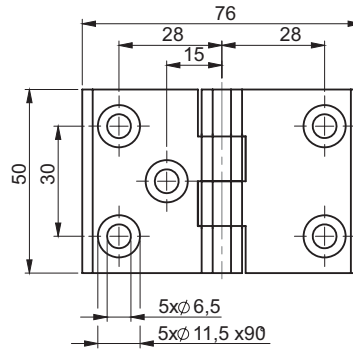
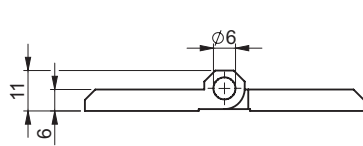
HINGE	FINISH	
3.509.XY	01	02
	11	12
	31	32

### CATALOGUE NUMBER

### COMPONENTS

### MATERIAL

3.509.XY	Holder, Base	ZAMAK 5
	Pin	Stainless steel
	Screw	Steel zinc plated



where:

**X** - the way of assembling the hinge

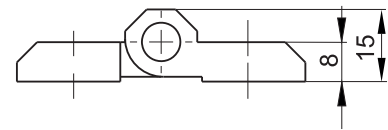
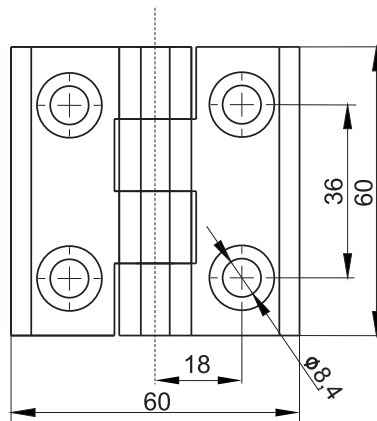
- 0 - version with 4 holes
- 1 - version with 5 holes
- 2 - version with 6 holes
- 3 - version with 4 screw

**Y** - finish

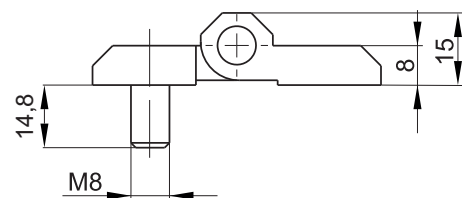
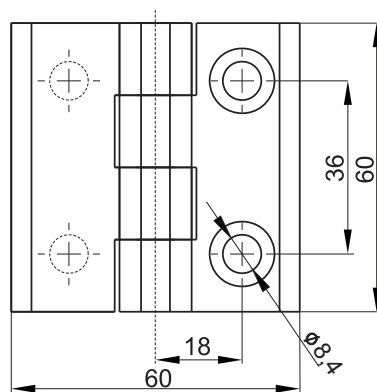
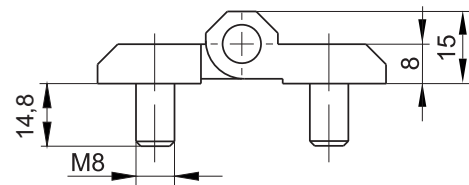
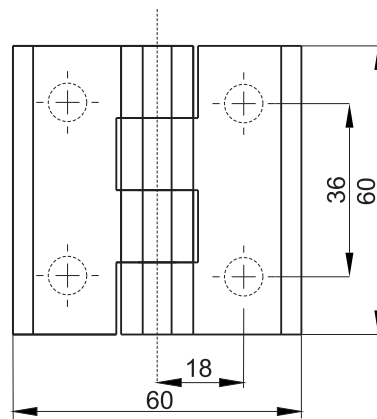
- 1 - Chrome
- 2 - RAL 9005
- 3 - Polyamide

HINGE	FINISH		
	01	02	-
3.510.XY	11	12	-
	21	22	23
	31	32	-

CATALOGUE NUMBER	COMPONENTS	MATERIAL
3.510.XY	Holder, Base	ZAMAK 5/ Polyamide
	Pin	Stainless steel
	Screw	Steel zinc plated



Use screws M8 DIN965



where:

**X** - the way of assembling the hinge

1 - version with 4 holes

2 - version with 4 threaded pins

3 - version with 2 holes and 2

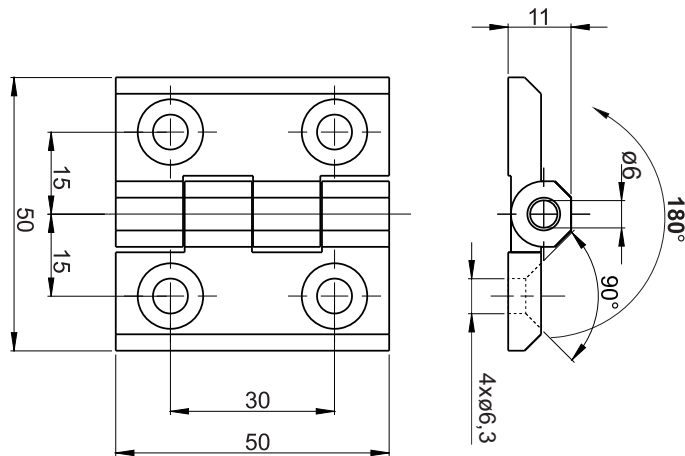
**Y** - finish

1 - Chrome

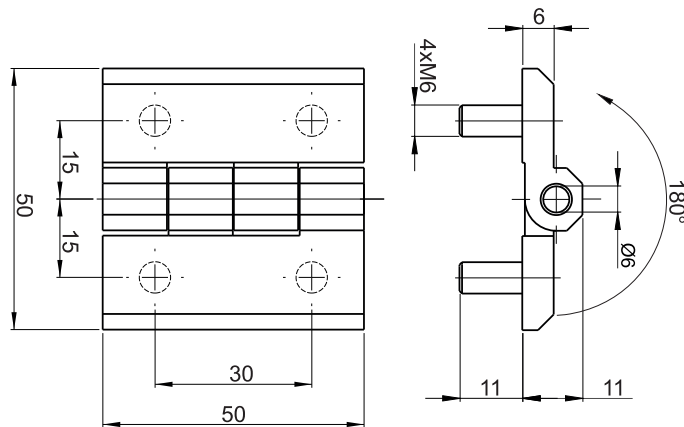
2 - RAL 9005

HINGE	FINISH	
	3.511.XY	11
21		22
31		32

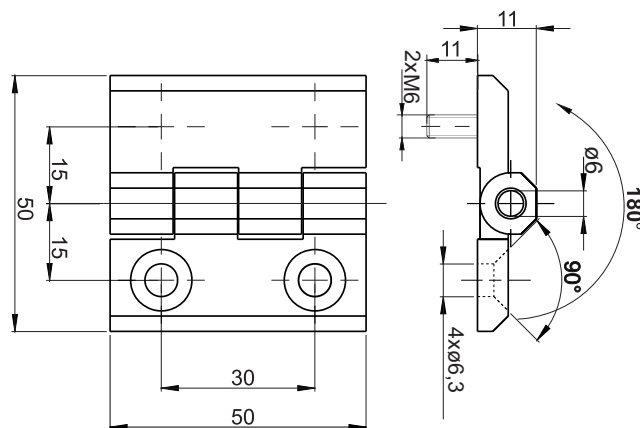
CATALOGUE NUMBER	COMPONENTS	MATERIAL
3.511.XY	Holder, Base	ZAMAK 5
	Pin	Steel zinc plated



CATALOGUE NUMBER	COMPONENTS	MATERIAL	FINISH [C]		
			Chrome	RAL9005	RAL7035
3.ZN65.001	Holder, Base	ZAMAK 5 *	01	04	05



CATALOGUE NUMBER	COMPONENTS	MATERIAL	FINISH [C]		
			Chrome	RAL9005	RAL7035
3.ZN65.002	Holder, Base	ZAMAK 5*	01	04	05
	Screw	Steel zinc plated*			



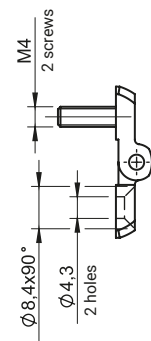
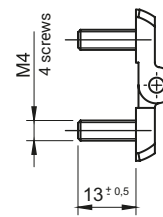
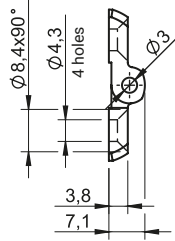
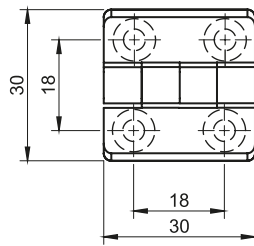
CATALOGUE NUMBER	COMPONENTS	MATERIAL	FINISH [C]		
			Chrome	RAL9005	RAL7035
3.ZN65.003	Holder, Base	ZAMAK 5*	01	04	05
	Screw	Steel zinc plated*			

**How to order:**  
 Catalogue number 3.ZN65.001  
 Finish C

# Polyamide hinge

## 3.ZN30, 3.ZN60, 3.ZN65

NEW



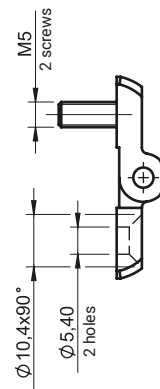
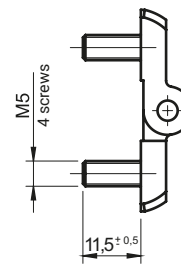
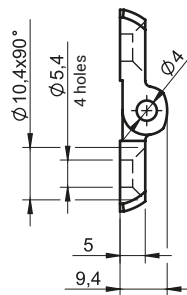
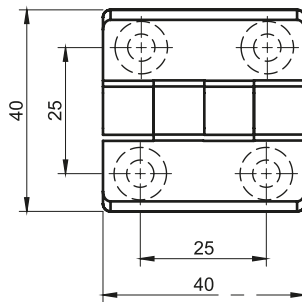
3.ZN30.101

3.ZN30.102

3.ZN30.103

CATALOGUE NUMBER	COMPONENTS	MATERIAL	FINISH [C]
			RAL 9005
3.ZN30.101	Holder, Base	Polyamide	07
3.ZN30.102	Pin	Stainless steel	-
3.ZN30.103	Screws	Steel zinc plated	-

NEW



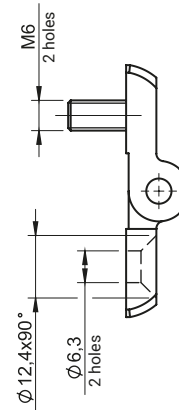
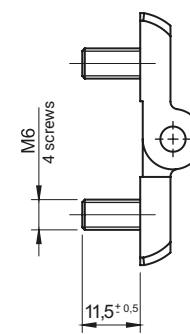
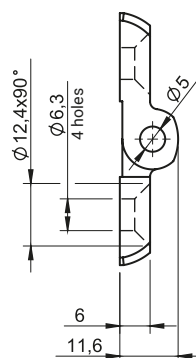
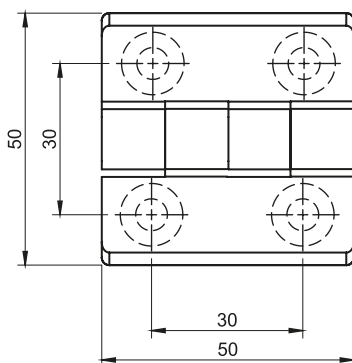
3.ZN60.101

3.ZN60.102

3.ZN60.103

CATALOGUE NUMBER	COMPONENTS	MATERIAL	FINISH [C]
			RAL 9005
3.ZN60.101	Holder, Base	Polyamide	07
3.ZN60.102	Pin	Stainless steel	-
3.ZN60.103	Screws	Steel zinc plated	-

NEW



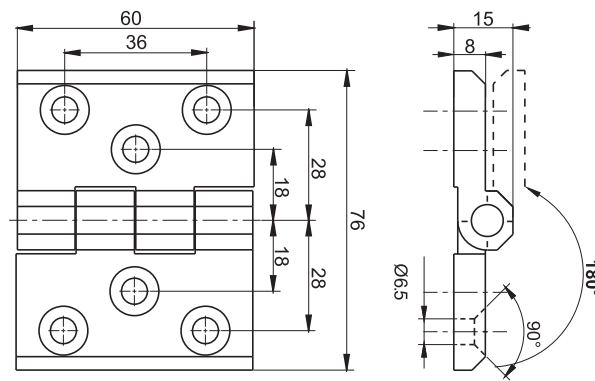
3.ZN65.101

3.ZN65.102

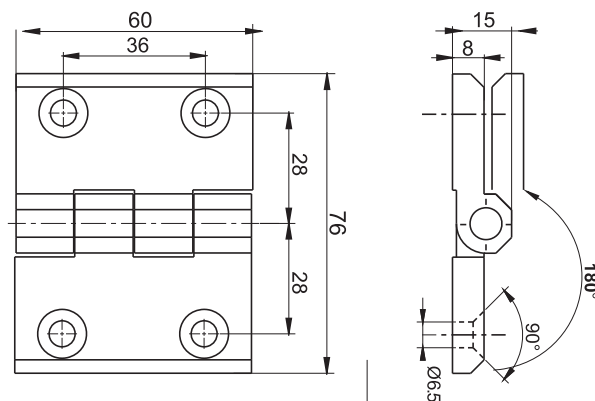
3.ZN65.103

CATALOGUE NUMBER	COMPONENTS	MATERIAL	FINISH [C]
			RAL 9005
3.ZN65.101	Holder, Base	Polyamide	07
3.ZN65.102	Pin	Stainless steel	-
3.ZN65.103	Screws	Steel zinc plated	-

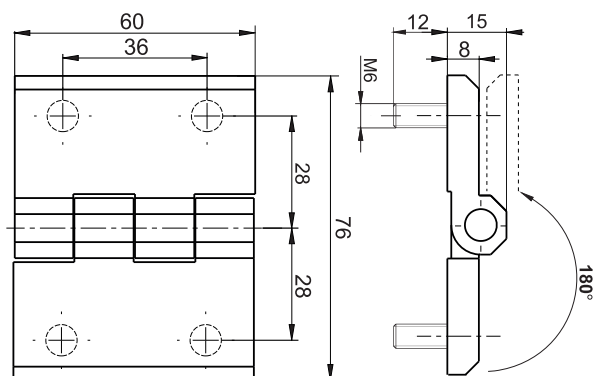




CATALOGUE NUMBER	COMPONENTS	MATERIAL	FINISH [C]		
			Chrome	RAL9005	RAL7035
3.ZN66.001	Holder, Base	ZAMAK 5	01	04	05
	Pin	Stainless steel			



CATALOGUE NUMBER	COMPONENTS	MATERIAL	FINISH [C]		
			Chrome	RAL9005	RAL7035
3.ZN66.002	Holder, Base	ZAMAK 5	01	04	05
	Pin	Stainless steel			



CATALOGUE NUMBER	COMPONENTS	MATERIAL	FINISH [C]	
			RAL9005	RAL7035
3.ZN66.003	Holder, Base	ZAMAK 5	04	05
	Screw	Steel zinc plated*		
	Pin	Stainless steel		

**How to order:**

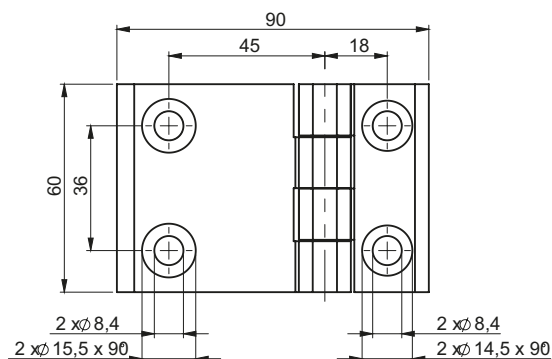
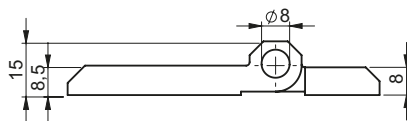
Catalogue number  
Finish

3.ZN66.001 — C

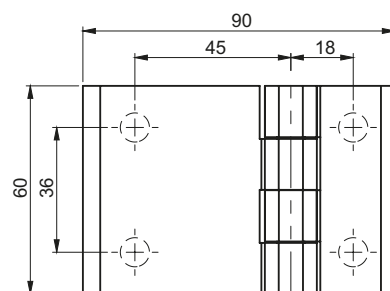
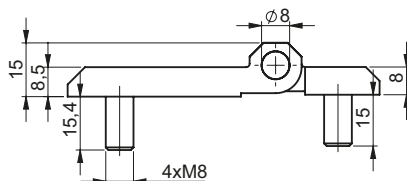




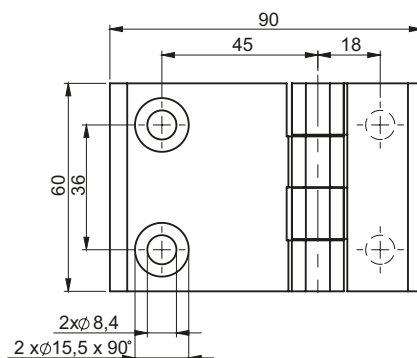
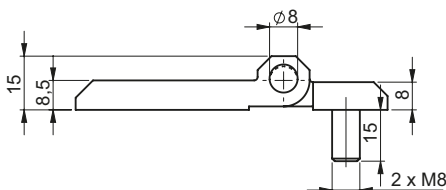
**X=1**



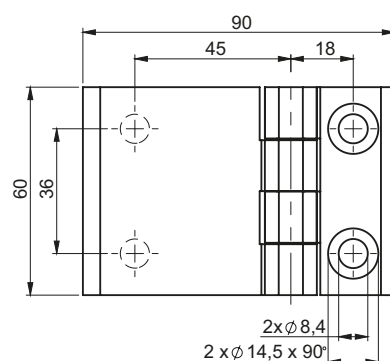
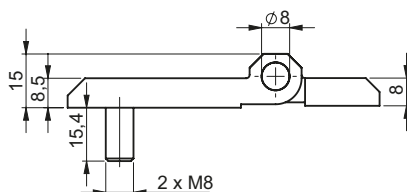
**X=2**



**X=3**



**X=4**



where:

**X** - the way of assembling the hinge

- 1 - version with 4 holes
- 2 - version with 4 threaded pins
- 3 - version with 2 holes and 2 threaded pins
- 4 - version with 2 threaded pins and 2 holes

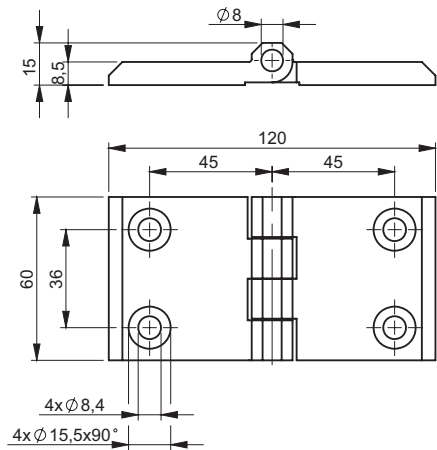
**Y** - finish

- 1 - Chrome
- 2 - RAL 9005

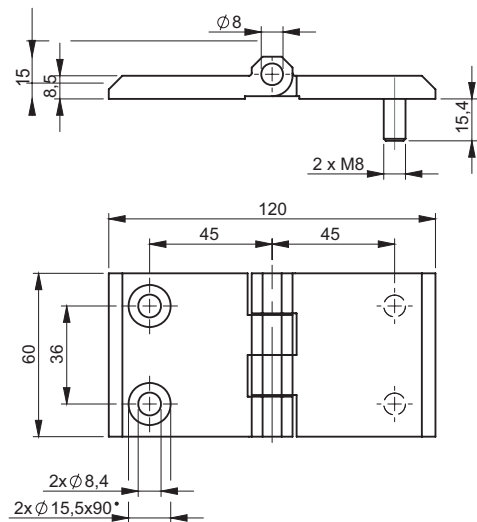
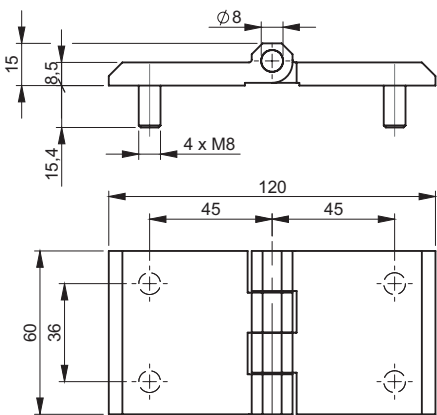
HINGE	FINISH	
	3.512.XY	11
21		22
31		32
41		42

CATALOGUE NUMBER	COMPONENTS	MATERIAL
3.512.XY*	Holder, Base	ZAMAK 5
	Pin	Stainless steel

# Hinge 3.513



Use screws  
M8 DIN965



HINGE	FINISH	
	3.513.XY	11
21		22
31		32

where:

**X** - the way of assembling the hinge

- 1 - version with 4 holes
- 2 - version with 4 threaded pins
- 3 - version with 2 holes and 2 threaded pins

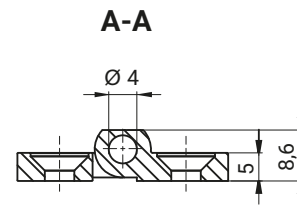
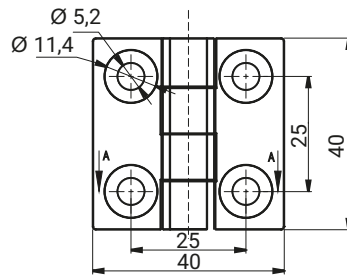
**Y** - finish

- 1 - Chrome
- 2 - RAL 9005

CATALOGUE NUMBER	COMPONENTS	MATERIAL
3.513.XY	Holder, Base	ZAMAK 5
	Pin	Steel zinc plated

# Hinge 3.541

stainless steel



## CATALOGUE NUMBER

3.541.001SN

## COMPONENTS

Holder, Base

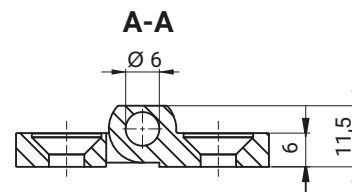
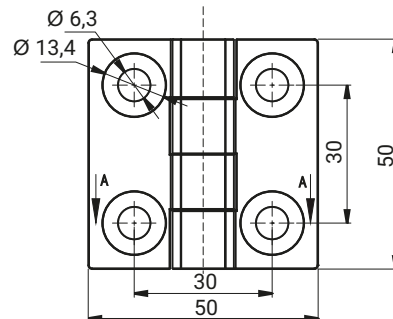
## MATERIAL

Stainless steel

## FINISH

Burnished

stainless steel



## CATALOGUE NUMBER

3.541.002SN

## COMPONENTS

Holder, Base

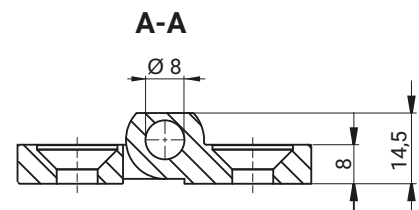
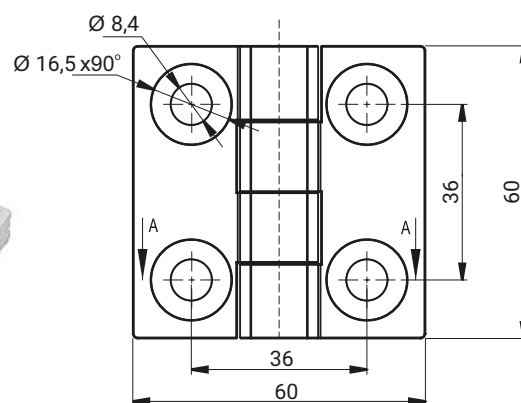
## MATERIAL

Stainless steel

## FINISH

Burnished

stainless steel



## CATALOGUE NUMBER

3.541.003SN

## COMPONENTS

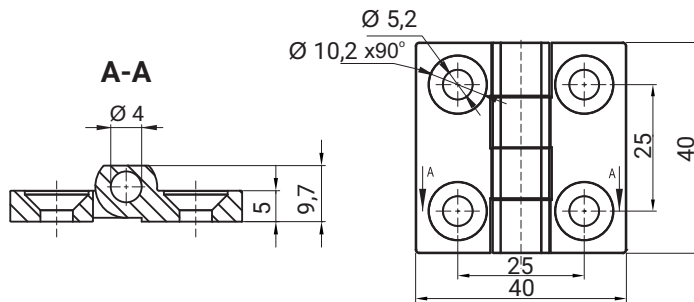
Holder, Base

## MATERIAL

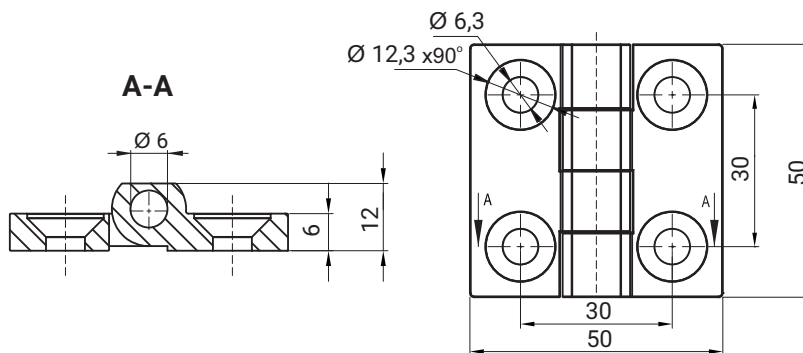
Stainless steel

## FINISH

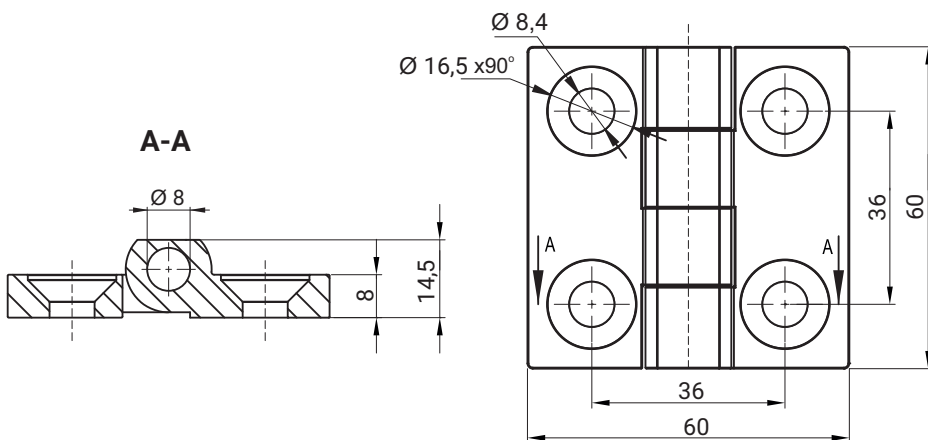
Burnished



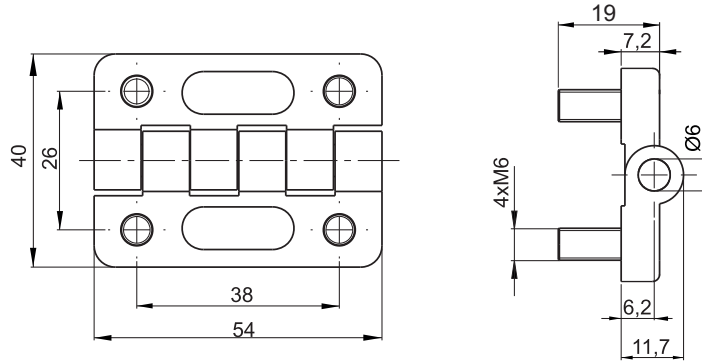
CATALOGUE NUMBER	COMPONENTS	MATERIAL	FINISH [C] RAL 9005
3.540.001SN	Holder, Base	Stainless steel	04



CATALOGUE NUMBER	COMPONENTS	MATERIAL	FINISH [C] RAL 9005
3.540.002SN	Holder, Base	Stainless steel	04



CATALOGUE NUMBER	COMPONENTS	MATERIAL	FINISH [C] RAL 9005
3.540.003SN	Holder, Base	Stainless steel	04



CATALOGUE NUMBER	COMPONENTS	MATERIAL	FINISH [C]	
3.ZN68.001*	Holder, Base	ZAMAK 5	RAL 9005	
	Pin	Steel zinc plated	04	

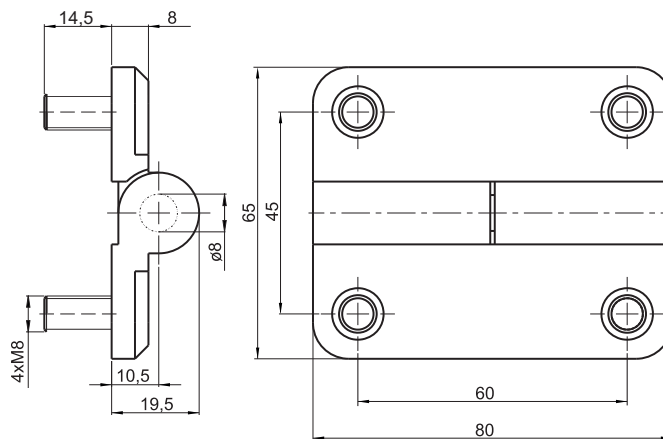


**VERSION LEFT**

3.ZN67.002  
3.ZN67.004

**VERSION RIGHT**

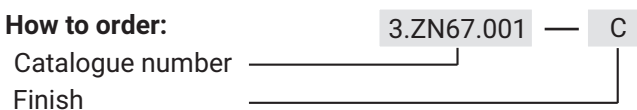
3.ZN67.001  
3.ZN67.003



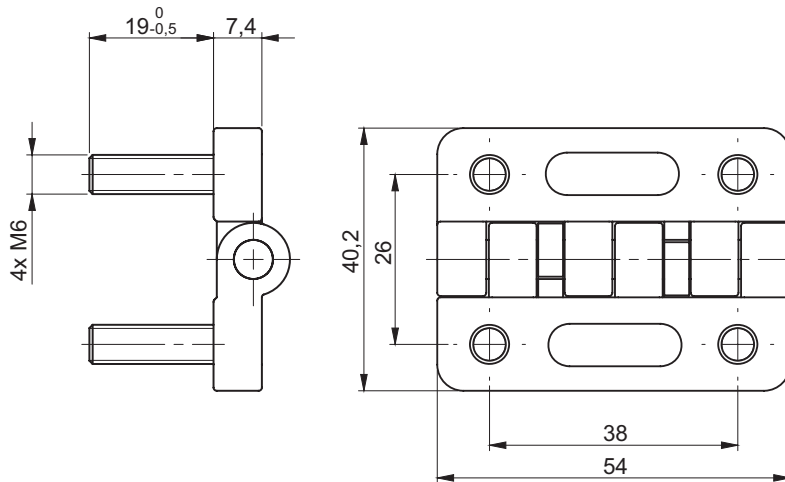
CATALOGUE NUMBER	COMPONENTS	MATERIAL	FINISH [C]	
3.ZN67.001*	Holder, Base	ZAMAK 5	RAL 9005 RAL 7035	
3.ZN67.002*	Pin	Steel zinc plated	04	-
3.ZN67.003*	Holder, Base	ZAMAK 5	-	05
3.ZN67.004*	Pin	Steel zinc plated	-	-

\* possibility to order stainless steel pin.

**How to order:**

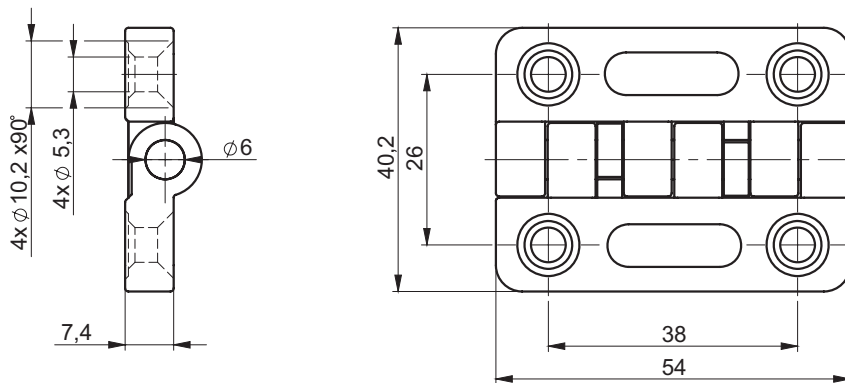


# Hinge 3.543



Type	Friction torque
<b>3.543.001</b>	47kg.cm ± 15%
<b>3.543.002</b>	12kg.cm ± 15%

CATALOGUE NUMBER	COMPONENTS	MATERIAL	FINISH [C] RAL 9005
<b>3.543.001</b>	Holder, Base	ZAMAK5	04
<b>3.543.002</b>	Pin	Stainless steel	-



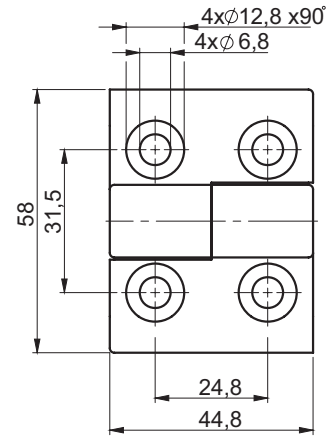
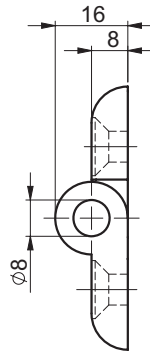
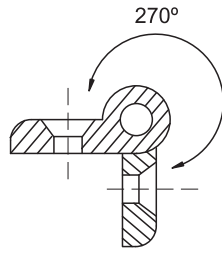
Type	Friction torque
<b>3.543.101</b>	47kg.cm ± 15%
<b>3.543.102</b>	12kg.cm ± 15%

CATALOGUE NUMBER	COMPONENTS	MATERIAL	FINISH [C] RAL 9005
<b>3.543.101</b>	Holder, Base	ZAMAK5	04
<b>3.543.102</b>	Holder, Base	ZAMAK5	04

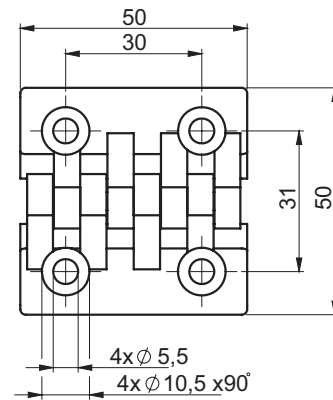
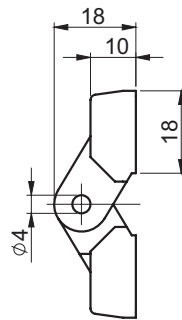
Hinges with linear course of frictional resistance.

**How to order:**  
 Catalogue number 3.543.001  
 Finish C

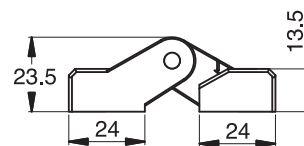
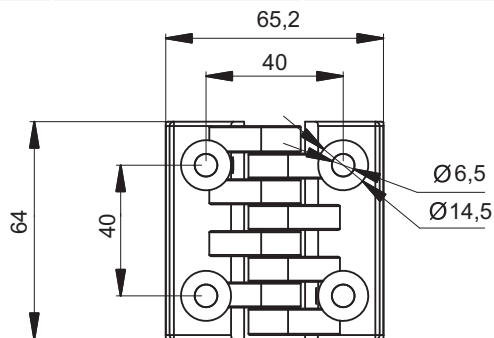
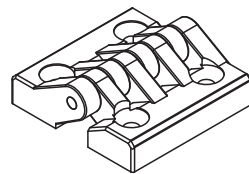
# Hinge 3.544, 3.545



CATALOGUE NUMBER	VERSION	COMPONENTS	MATERIAL	FINISH [C] RAL 9005
3.544.001	Right	Holder, Base	Polyamide	07
3.544.002	Left			-



CATALOGUE NUMBER	COMPONENTS	MATERIAL	FINISH [C] RAL 9005
3.545.001	Holder, Base	Polyamide	07
	Pin	Steel zinc plated	-



CATALOGUE NUMBER	COMPONENTS	MATERIAL	FINISH [C] RAL 9005
3.545.002	Holder, Base	Polyamide	07
	Pin	Steel zinc plated	-

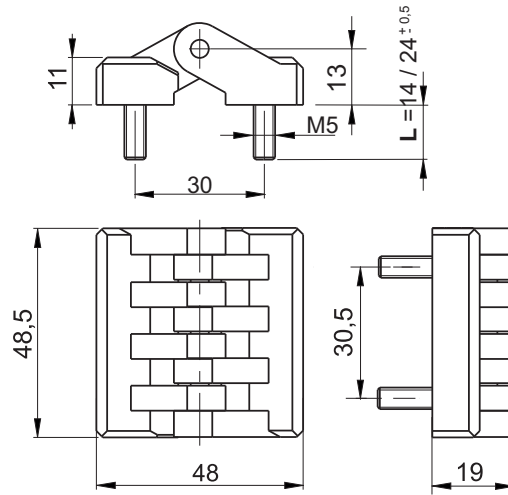
How to order:

Catalogue number

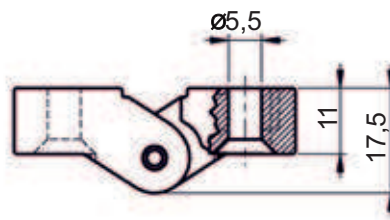
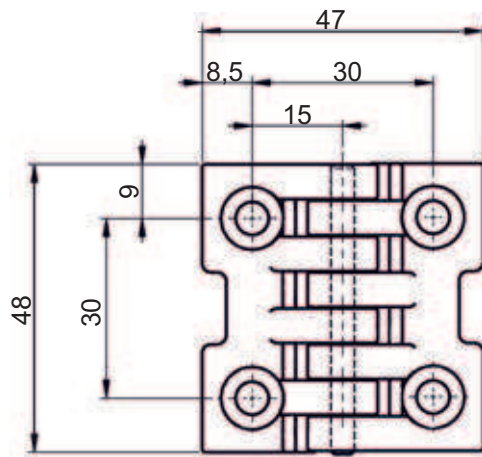
Finish

3.545.001 — C





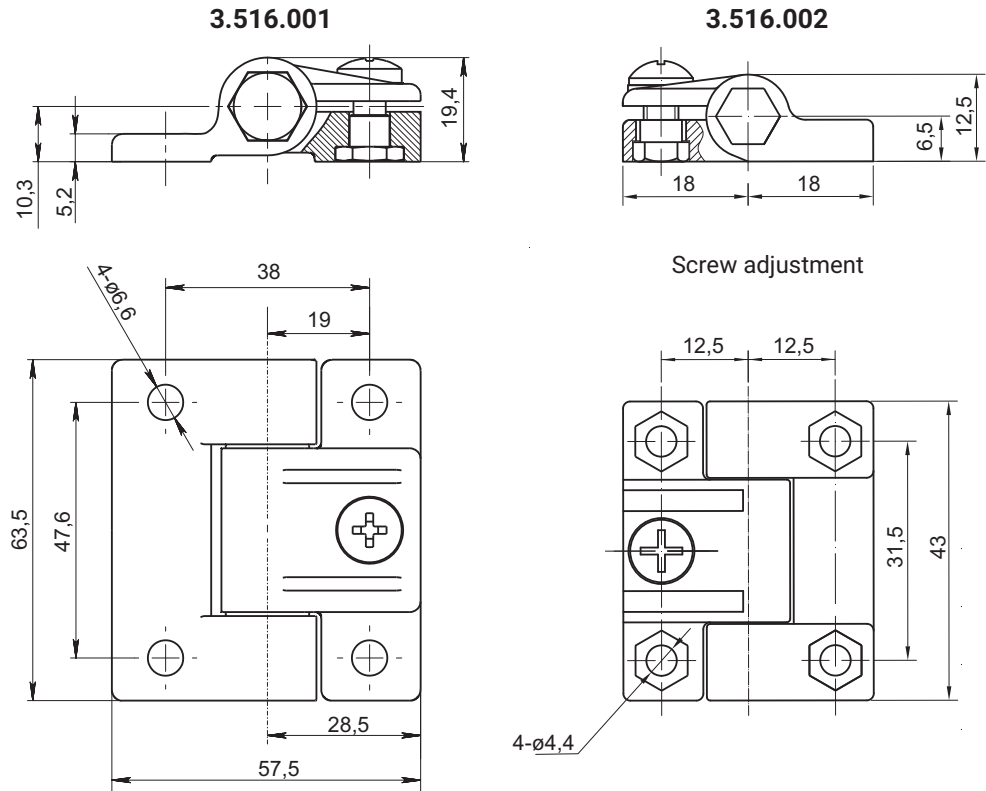
CAT. NUMBER	DIMENSION L	COMPONENTS	MATERIAL	FINISH [C]	
				RAL 9005	
3.ZN48-PA.001	14	Holder, Base	Polyamide Pa6	07	
3.ZN48-PA.101	24	Pin, Studs	Steel zinc plated		
3.ZN48-PA.102 SN	14	Holder, Base	Polyamide Pa6		
3.ZN48-PA.103 SN	24	Pin, Studs	Stainless steel		



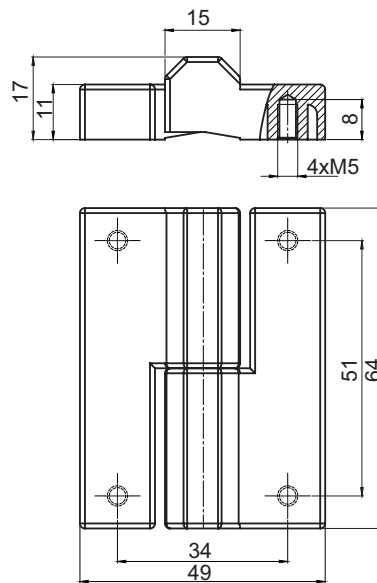
CATALOGUE NUMBER	COMPONENTS	MATERIAL	FINISH [C]	
			RAL9005	RAL7035
3.527.001	Holder, Base	Polyamide	07	08
	Pin	Steel zinc plated		

**How to order:**  
 Catalogue number 3.526.001  
 Finish C





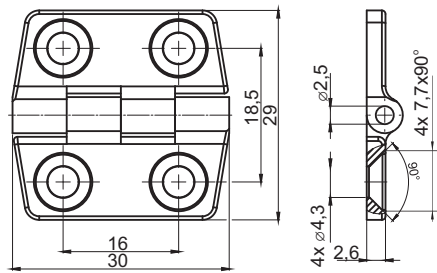
CATALOGUE NUMBER	COMPONENTS	MATERIAL	FINISH [C]
3.516.001	Holder, Base	Polyamide	07
3.516.002	Pin	Steel zinc plated	-



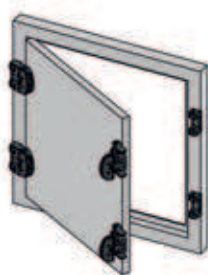
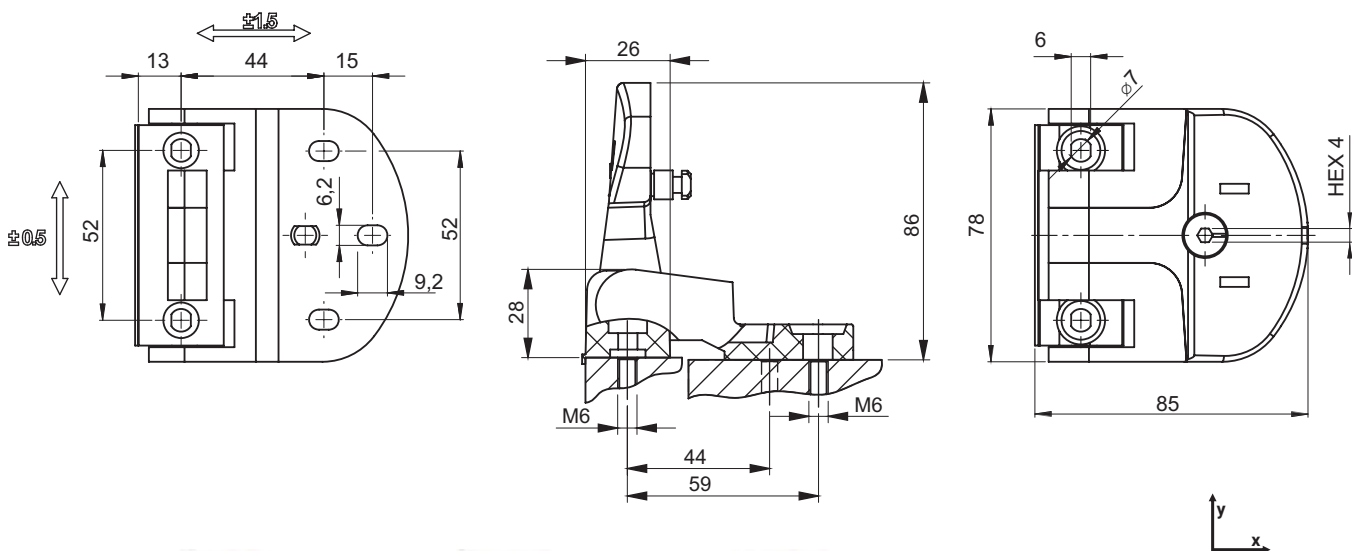
CATALOGUE NUMBER	VERSION	COMPONENTS	MATERIAL	FINISH [C]		
3.526.001	RIGHTS	Holder, Base	ZAMAK 5	01	04	05
3.526.002	LEFT	Pin	Steel zinc plated			

**How to order:**  
 Catalogue number 3.526.001  
 Finish C

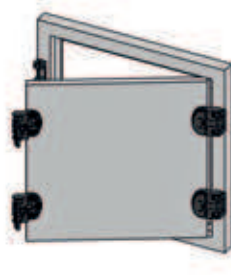
# Hinge 3.ZN10, 3.ZN200



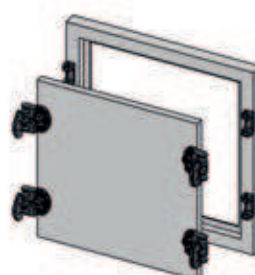
CATALOGUE NO.	COMPONENTS	MATERIAL	FINISH [C] RAL 9005
3.ZN10.001	Holder, Base,	ZAMAK5	04
	Pin	Steel zinc plated	



Opening the left



Opening the right



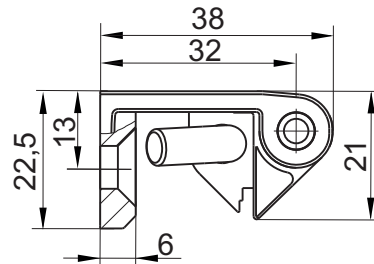
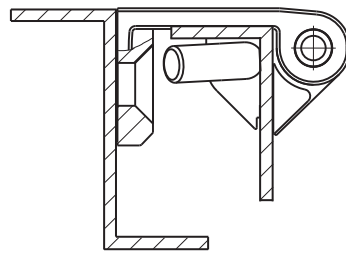
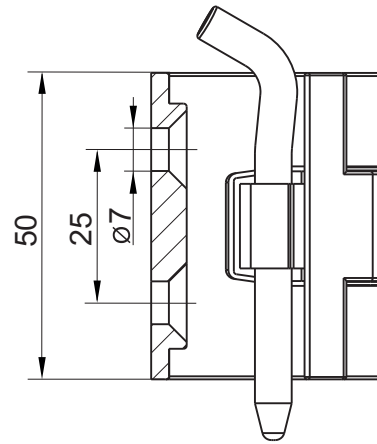
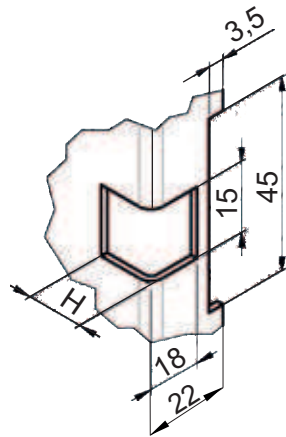
Removing the door



CATALOGUE NO.	DETAIL	MATERIAL	FINISH [C] RAL 9005
3.ZN200.001	Hinge with lock function	Polyamide	07

**How to order:**

Catalogue number 3.ZN10.001 — C  
 Finish \_\_\_\_\_

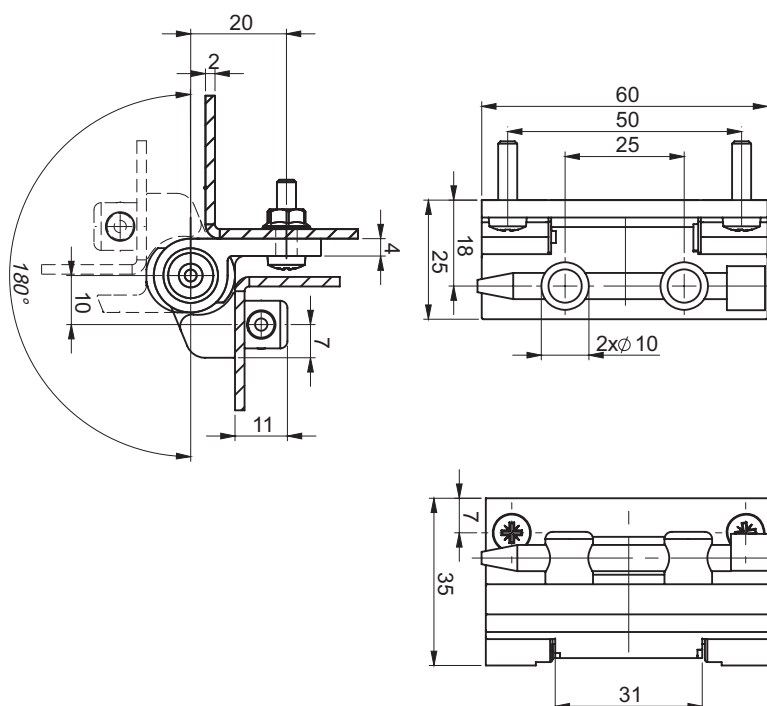


H [mm]	APPLICATION
13	only sheets 1,5 mm
15	only sheets 2 mm

CATALOGUE NUMBER	COMPONENTS	MATERIAL	FINISH [C]		
			Chrome	RAL 9005	RAL 7035
3.ZN105.001*	Holder, Base	ZAMAK 5	01	04	05
	Pin	Steel zinc plated			

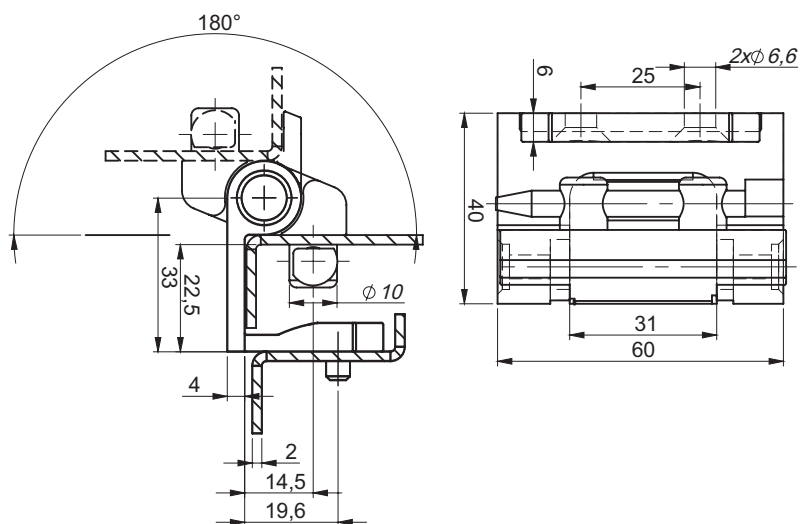
\* possibility to order stainless steel pin.  
When ordering, specify the color or finishing type

**How to order:**  
 Catalogue number 3.ZN105.001 — C  
 Finish



CATALOGUE NUMBER	COMPONENTS	MATERIAL	FINISH [C]	
			Chrome	RAL 9005
3.529.001*	Holder, Base	ZAMAK 5	01	04
	Pin	Steel zinc plated,*		

\* possible to order stainless steel pin.

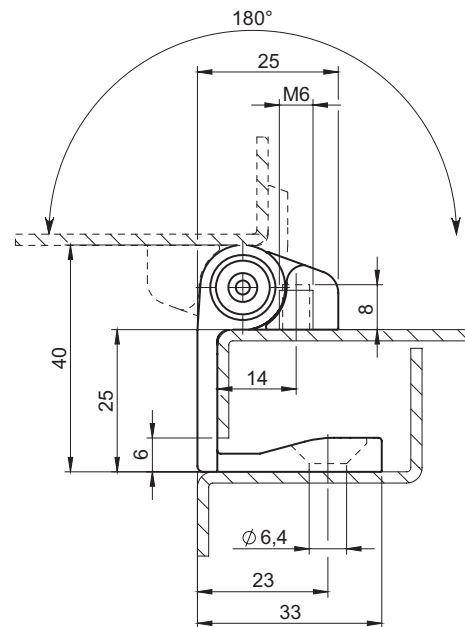
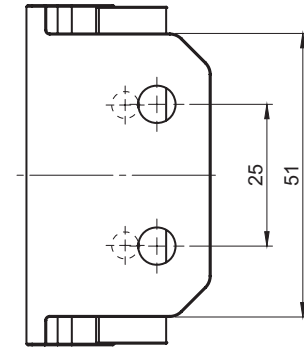
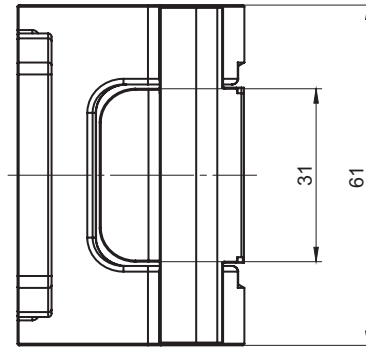


CATALOGUE NUMBER	COMPONENTS	MATERIAL	FINISH [C]	
			Chrome	RAL 9005
3.530.001**	Holder, Base	ZAMAK 5	01	04
	Pin	Steel zinc plated		

\*\* possible to order polyamide pin.

**How to order:**  
 Catalogue number 3.530.001  
 Finish C

NEW

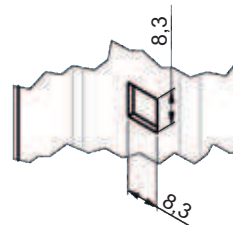
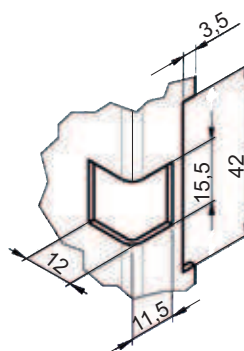
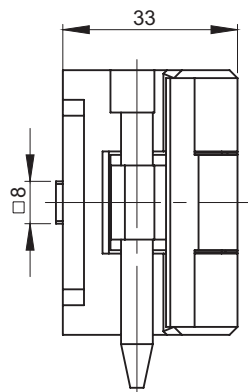
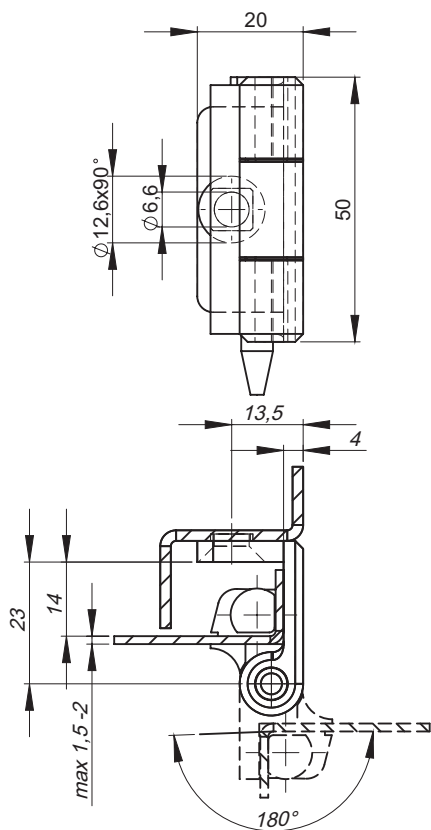


CATALOGUE NUMBER	COMPONENTS	MATERIAL	FINISH [C]	
			Chrome	RAL 9005
3.530.002	Holder, Base	ZAMAK	01	04
	Pin	Polyamide	-	-

**How to order:**  
 Catalogue number  
 Finish [C]



# Hinge 3.532, 3.536



## CATALOGUE NUMBER

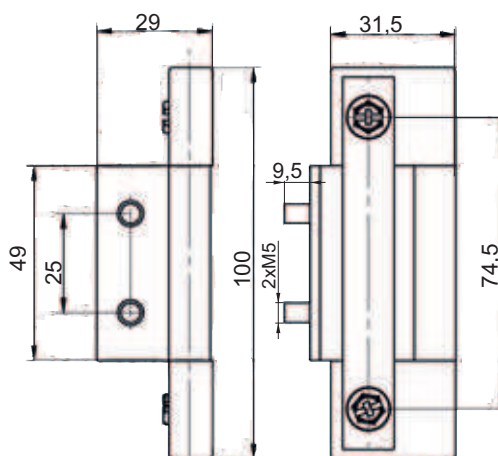
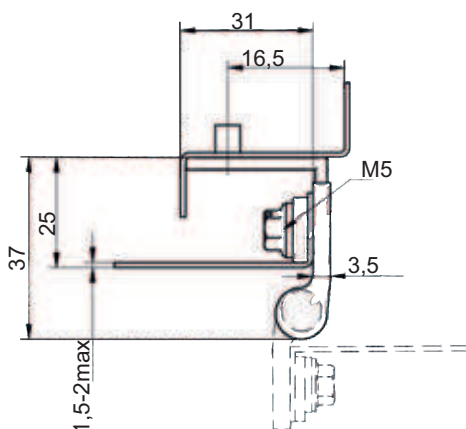
## COMPONENTS

## MATERIAL

## FINISH [C]

Chrome RAL 9005

<b>3.532.001*</b>	Holder, Base	ZAMAK 5	01	04
	Pin	Steel zinc plated		



## CATALOGUE NUMBER

## COMPONENTS

## MATERIAL

## FINISH [C]

Chrome RAL 9005

<b>3.536.001</b>	Holder	ZAMAK 5	01	04
	Base	Steel zinc plated		

\* possibility to order with polyamide pin

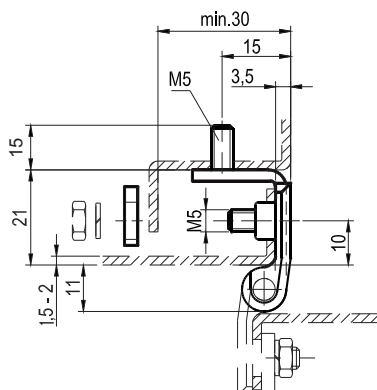
### How to order:

Catalogue number  
Finish

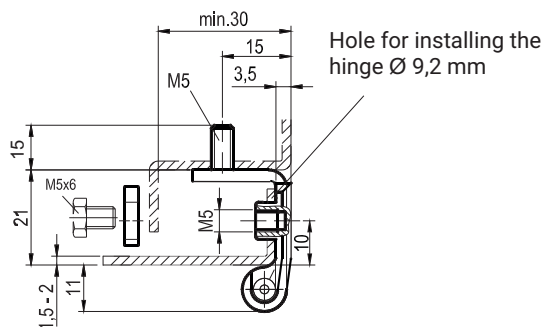
3.532.001 — C



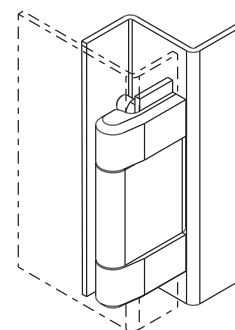
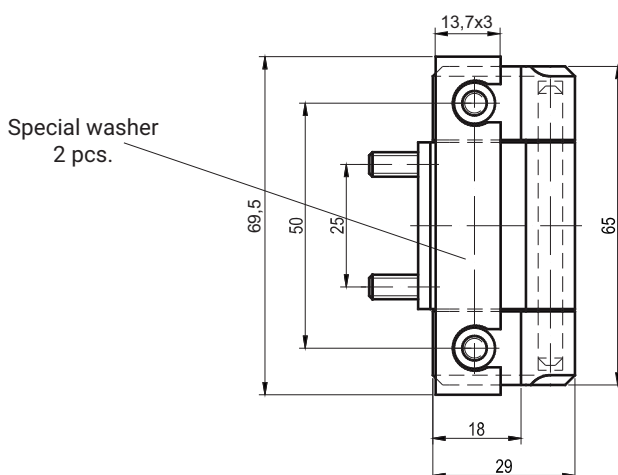
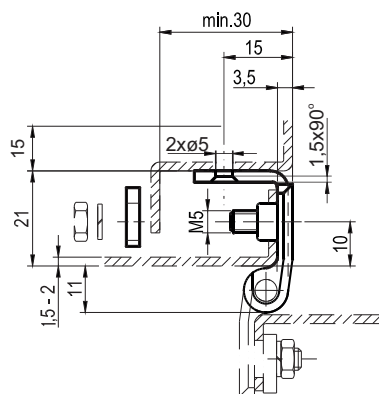
**3.ZN120.001**



**3.ZN120.002**



**3.ZN120.005**

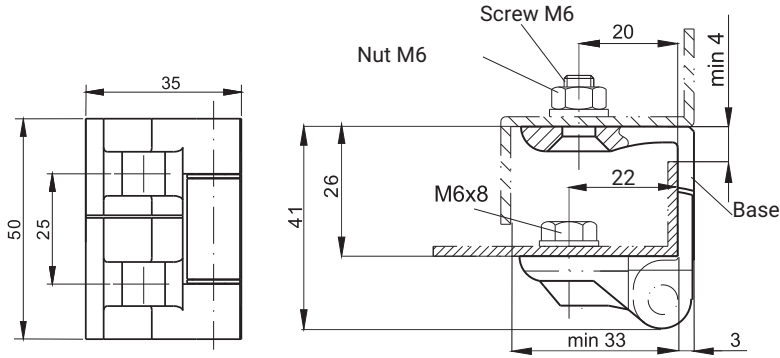


Note:  
When using the hinge to sheet a thickness of 1 mm, should order special washer having a thickness of 1 mm

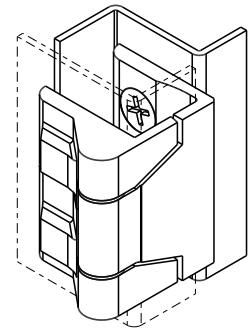
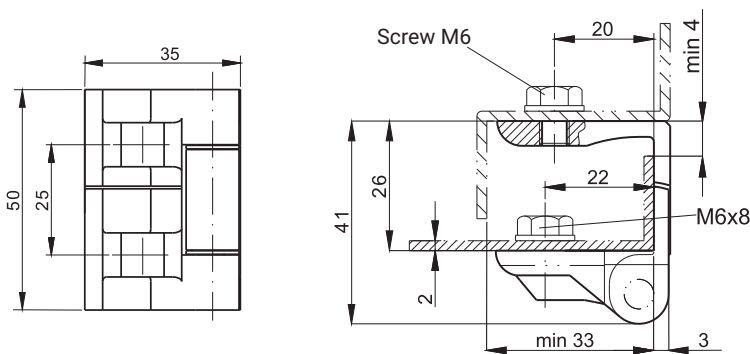
CAT. NUMBER	VERSION	COMPONENTS	MATERIAL	FINISH [C]	
				RAL 9005	RAL 7035
3.ZN120.001	Stud M5	Holder	ZAMAK 5		
3.ZN120.002	Hole M5	Pin, Base	Steel zinc plated	04	05
3.ZN120.005	Hole M5	Pin, Base	Steel zinc plated		

When ordering, specify the color or finishing type

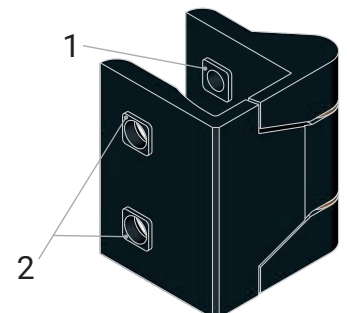
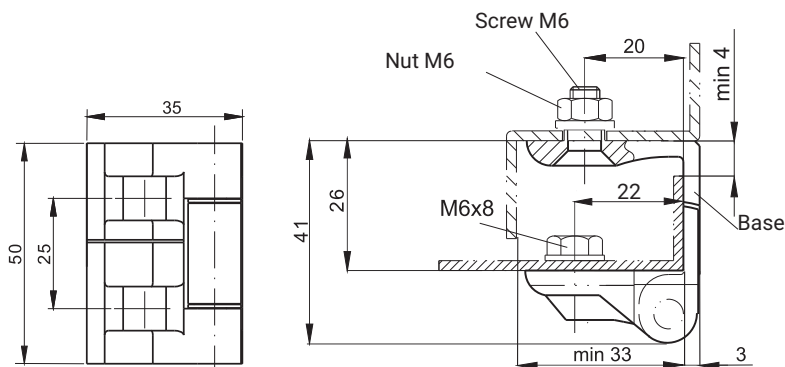
# Hinge 3.ZN130



CATALOGUE NUMBER	COMPONENTS	MATERIAL	FINISH [C]	
			RAL 9005	RAL 7035
3.ZN130.001	Holder	ZAMAK 5		
	Base	ZAMAK 5	04	05
	Pin	Steel zinc plated		



CATALOGUE NUMBER	COMPONENTS	MATERIAL	FINISH [C]	
			RAL 9005	RAL 7035
3.ZN130.002/M6	Holder	ZAMAK 5		
	Base	ZAMAK 5	04	05
	Pin	Steel zinc plated		

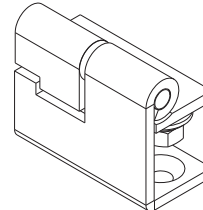
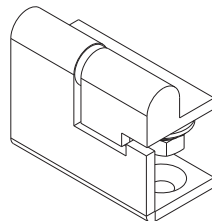
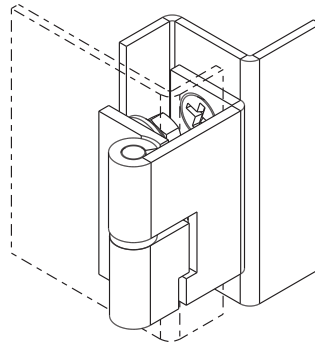
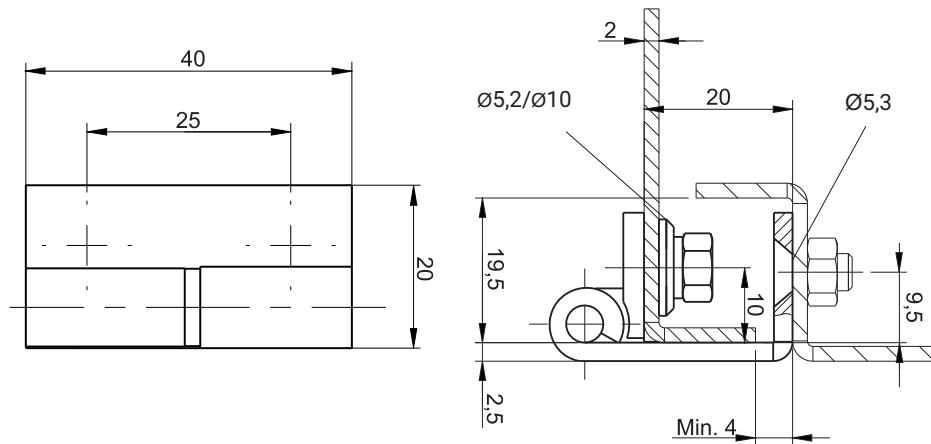


- 1. Holder with shoulder □ 8x1mm in standard version
- 2. Base with shoulder □ 8x1mm in version 3.ZN130.003

CATALOGUE NUMBER	COMPONENTS	MATERIAL	FINISH [C]	
			RAL 9005	RAL 7035
3.ZN130.003	Holder	ZAMAK 5		
	Base	ZAMAK 5	04	05
	Pin	Steel zinc plated		

**How to order:**  
 Catalogue number 3.ZN130.001  
 Finish C





**3.ZN140.001**  
RIGHT VERSION

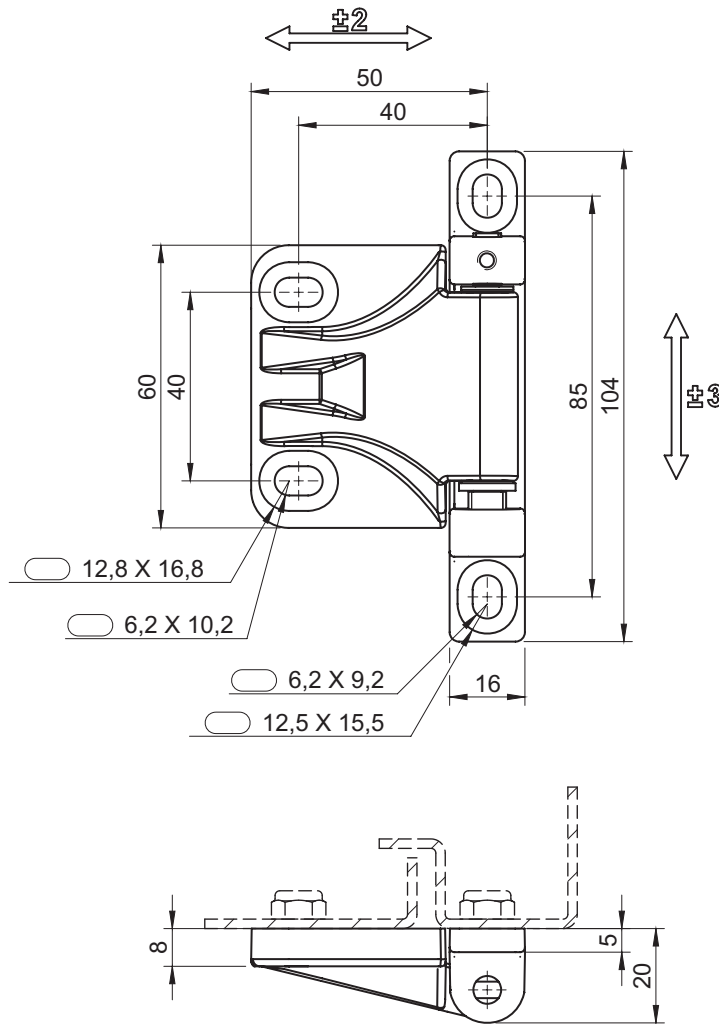
**3.ZN140.002**  
LEFT VERSION

CATALOGUE NUMBER	COMPONENTS	MATERIAL	FINISH [C]	
			RAL 9005	RAL 7035
3.ZN140.001	Holder	Brass	04	05
	Base	Steel zinc plated		
	Pin	Steel zinc plated		
3.ZN140.001SN	Holder, Base, Pin	Stainless steel	-	-
3.ZN140.002	Holder	Brass	04	05
	Base	Steel zinc plated		
	Pin	Steel zinc plated		
3.ZN140.002SN	Holder, Base, Pin	Stainless steel	-	-

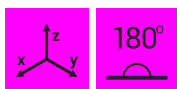
**How to order:**  
 Catalogue number 3.ZN140.001  
 Finish C

# Hinge 3.ZN210.003

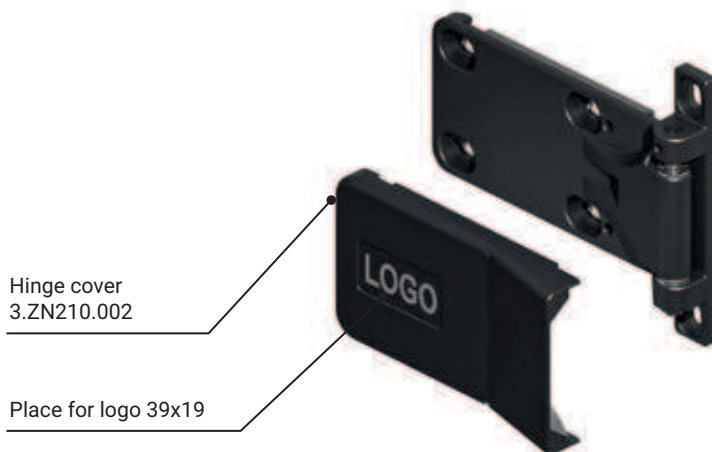
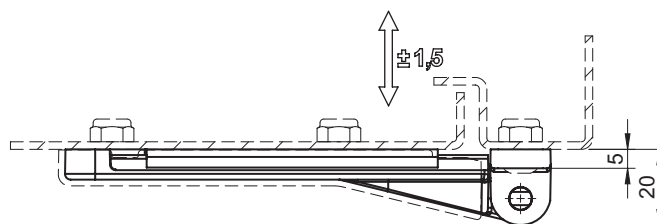
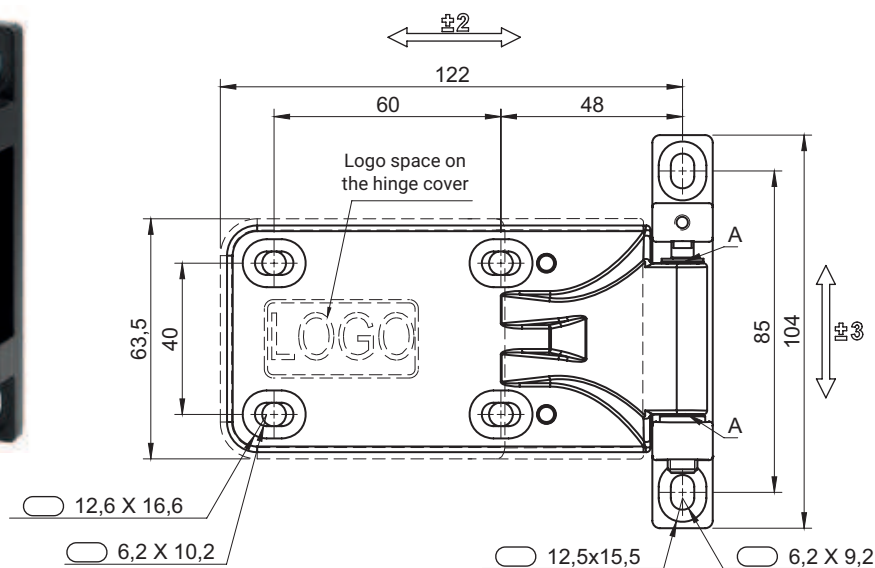
NEW



CATALOGUE NUMBER	COMPONENTS	MATERIAL	FINISH [C]
			RAL 9005
3.ZN210.003	Holder, Base	ZAMAK	04
	Pin	Stainless steel	-



NEW

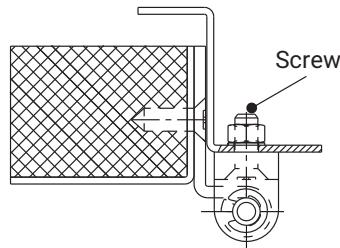
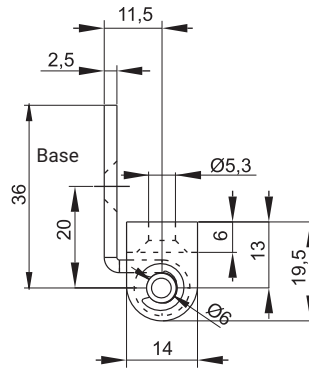
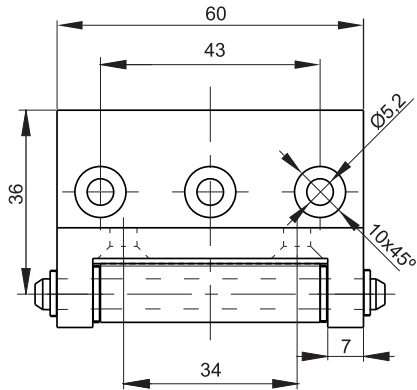


A - axis of the hinge with plastic sleeves.

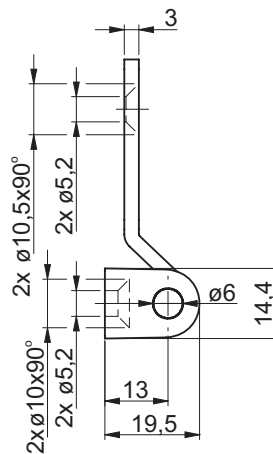
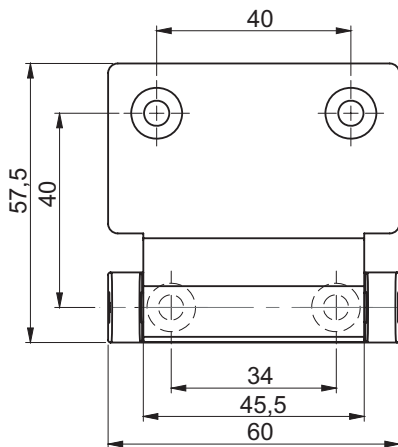
The hinge position can be adjusted in three axes - the adjustment ranges are shown in the drawing.

Hinge cover 3.ZN210.002 to be ordered separately.

CATALOGUE NUMBER	COMPONENTS	MATERIAL	FINISH [C]
			RAL 9005
3.ZN210.001	Holder, Base	ZAMAK	04
	Pin	Stainless steel	-
3.ZN210.002	Hinge cover	Polyamide	07



CATALOGUE NUMBER	COMPONENTS	MATERIAL
3.ST42.001	Holder	Steel zinc plated
	Base	ZAMAK 5
	Pin	Steel zinc plated



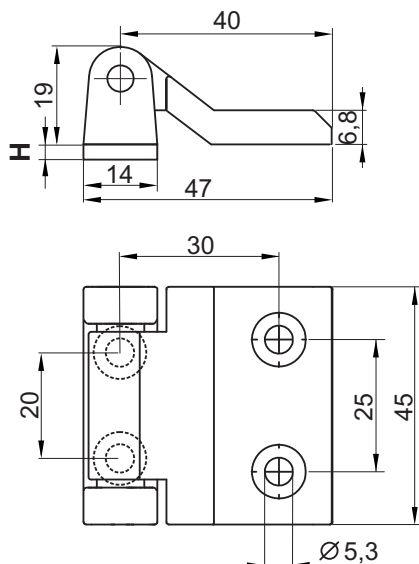
**Note:**

The hinge supplied as separate parts, handle with foot joint by pushing the pin after mounting the handle.

CATALOGUE NUMBER	COMPONENTS	MATERIAL	FINISH [C] RAL 9005
3.ST42.005	Holder	Steel zinc plated	04
	Base	ZAMAK5	
	Pin	Stainless steel	-
3.ST42.005SN	Holder	Stainless steel	04
	Base	ZAMAK5	
	Pin	Stainless steel	-

**How to order:**

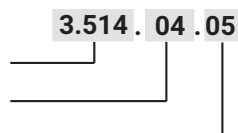
Catalogue number 3.ST42.005 — C  
 Finish \_\_\_\_\_



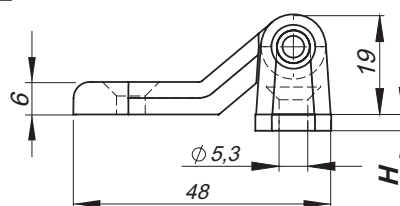
CATALOGUE NUMBER	COMPONENTS	MATERIAL	FINISH [C]	
			Chrome	RAL9005
3.514.C.X	Holder, Base	ZAMAK5	01	04
	Pin	Steel zinc plated	-	-

**How to order :**

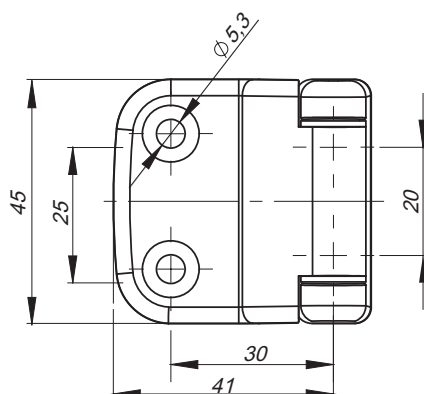
Hinge code  
Finish  
Height H



H <sub>[mm]</sub>	0	3	5	8	10	15
X	00	03	05	08	10	15



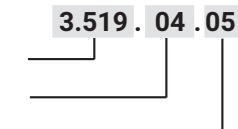
Height H  
adjusted  
by distance  
rings



CATALOGUE NUMBER	COMPONENTS	MATERIAL	FINISH [C]	
			Chrome	RAL9005
3.519.C.X	Holder, Base	ZAMAK5	01	04
	Pin	Stainless steel	-	-
	Sleeve	POM	-	-

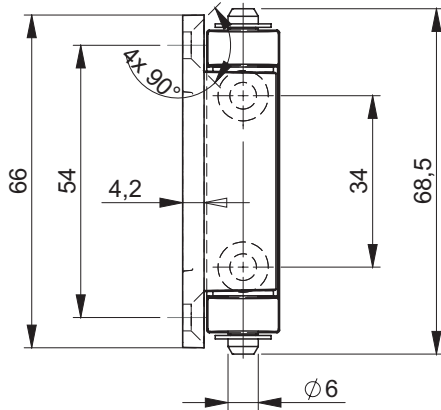
**How to order :**

Hinge code  
Finish  
Height H

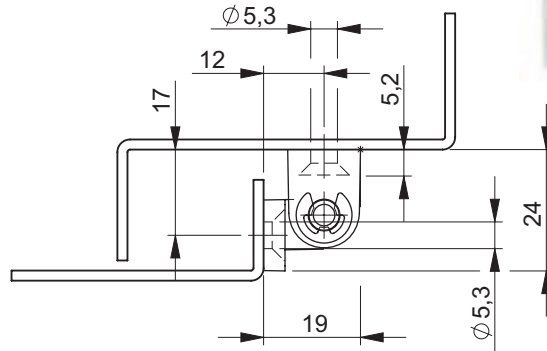


H <sub>[mm]</sub>	0	3	5	8	10	15
X	00	03	05	08	10	15

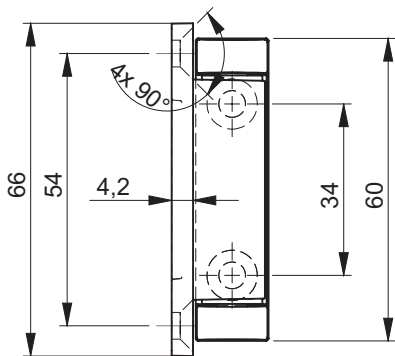
## 3.531.001



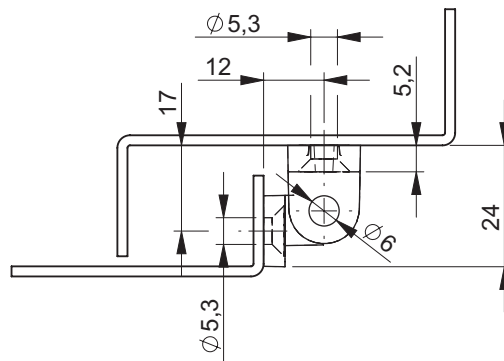
Insert fastening  
Collecting plate



## 3.531.002



Insert fastening  
Knurled



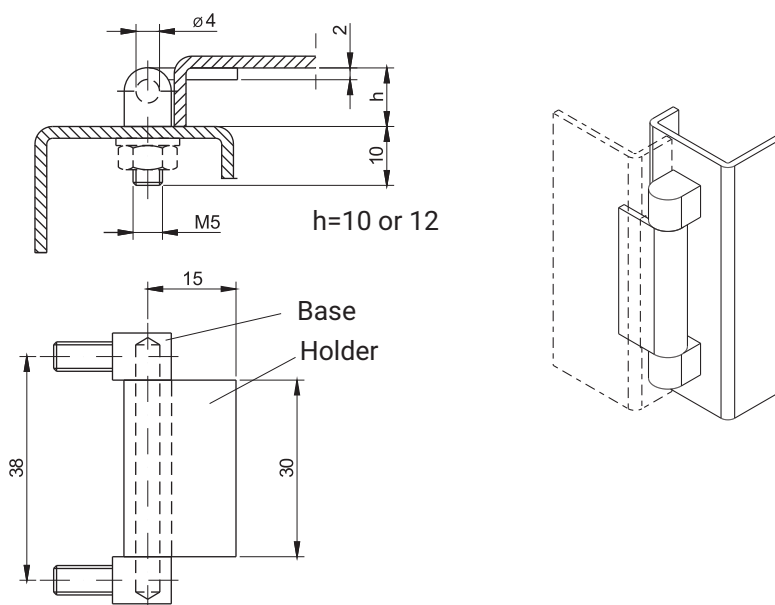
CATALOGUE NUMBER	COMPONENTS	MATERIAL	FINISH [C]	
			Chrome	RAL9005
3.531.001	Holder, Base	ZAMAK 5	01	04
3.531.002	Pin	Steel zinc plated		

### How to order:

Catalogue number 3.531.001 — C  
 Finish \_\_\_\_\_

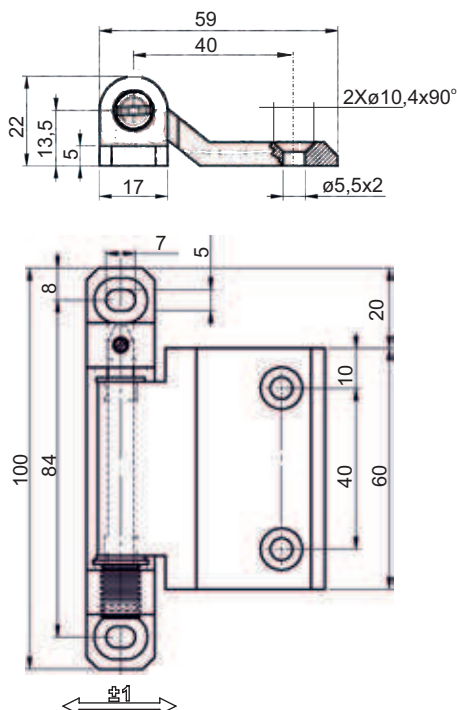
# Hinge 3.ST23, 3.535

stainless steel



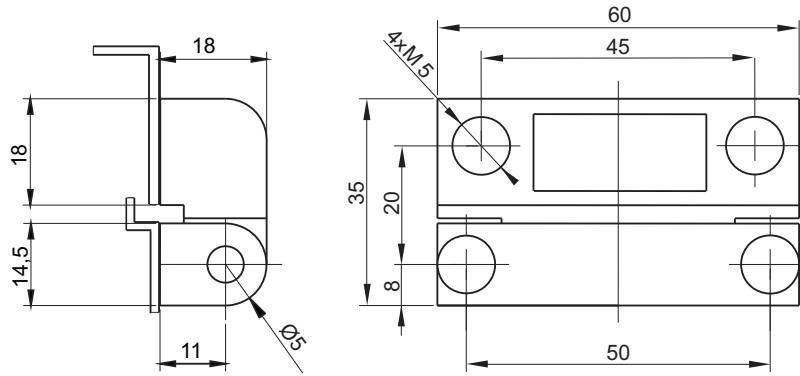
CATALOGUE NUMBER	COMPONENTS	MATERIAL
3.ST23.001	Holder	Steel zinc plated
	Base, Pin	Steel zinc plated
3.ST23.001SN	Holder	Stainless steel
	Base, Pin	Stainless steel

x

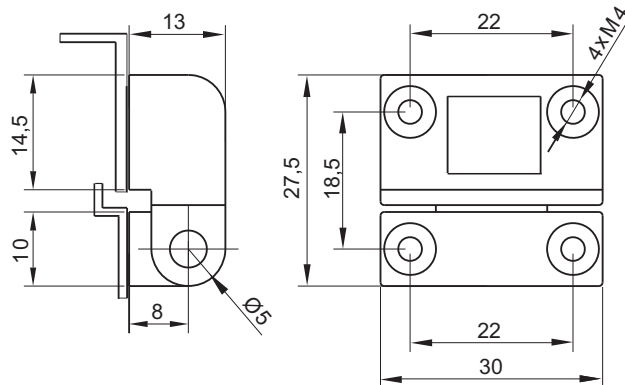


CATALOGUE NUMBER	COMPONENTS	MATERIAL	FINISH [C]	
			Chrome	RAL 9005
3.535.001	Holder	ZAMAK 5	01	04
	Base	ZAMAK 5		

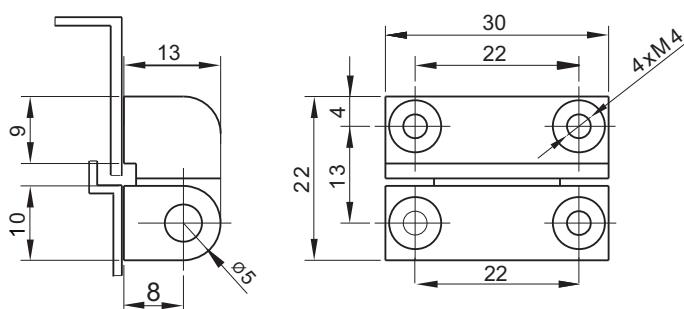
**How to order:**  
 Catalogue number 3.535.001  
 Finish C



CATALOGUE NUMBER	COMPONENTS	MATERIAL	FINISH [C]	
			Nickel	RAL9005
3.517.001	Holder, Base	ZAMAK 5	04	
	Pin	Steel zinc plated	-	



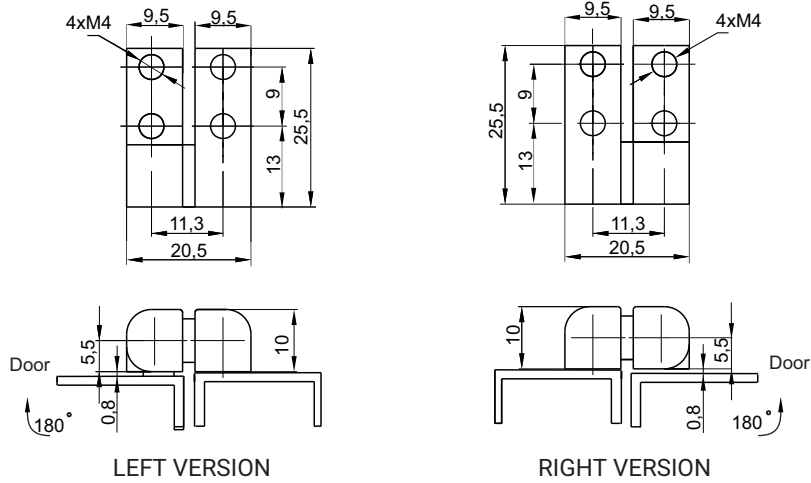
CATALOGUE NUMBER	COMPONENTS	MATERIAL	FINISH [C]	
			Nickel	RAL9005
3.517.002	Holder, Base	ZAMAK 5	02	04
	Pin	Steel zinc plated	-	-



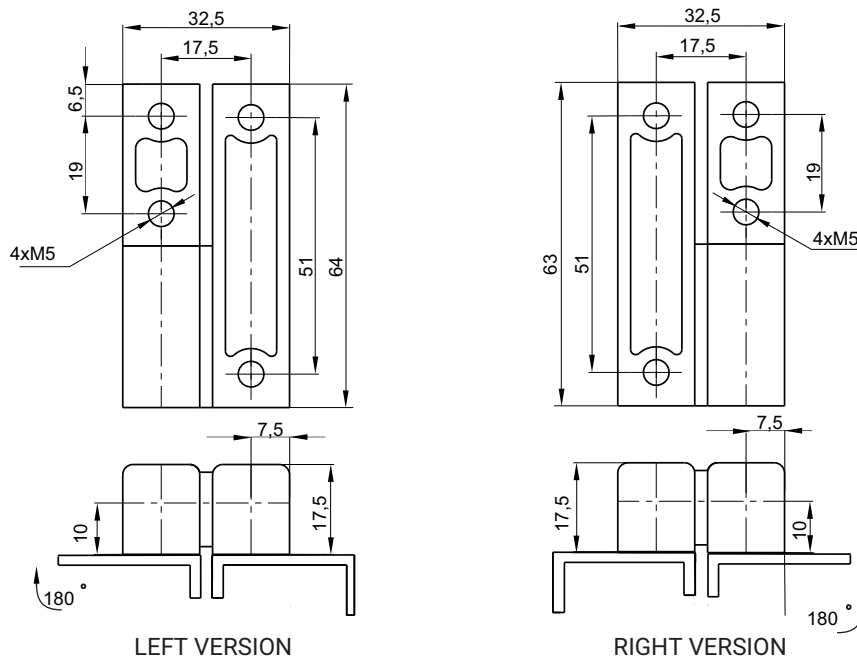
CATALOGUE NUMBER	COMPONENTS	MATERIAL	FINISH [C]	
			Nickel	RAL9005
3.517.003	Holder, Base	ZAMAK 5	02	04
	Pin	Steel zinc plated	-	-

**How to order:**  
 Catalogue number 3.517.001  
 Finish C





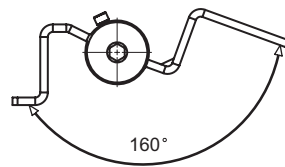
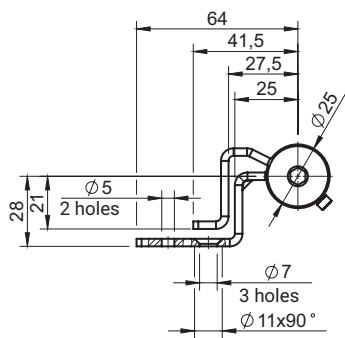
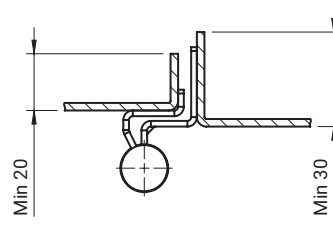
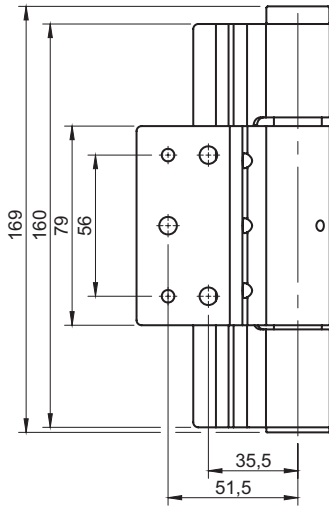
CATALOGUE NUMBER	COMPONENTS	MATERIAL	FINISH [C]
			RAL 9005
3.518.001	Holder, Base	ZAMAK 5	04
	Pin	Steel zinc plated	



CATALOGUE NUMBER	COMPONENTS	MATERIAL	FINISH [C]
			RAL 9005
3.518.002	Holder, Base	ZAMAK 5	04
	Pin	Steel zinc plated	



NEW



Closed position

Open position

CATALOGUE NUMBER	VERSION	COMPONENTS	MATERIAL
3.ST109.001-A	Spring hinge	Holder, Base, Pin	Steel zinc plated
3.ST109.001-B	KO hinge		

where:

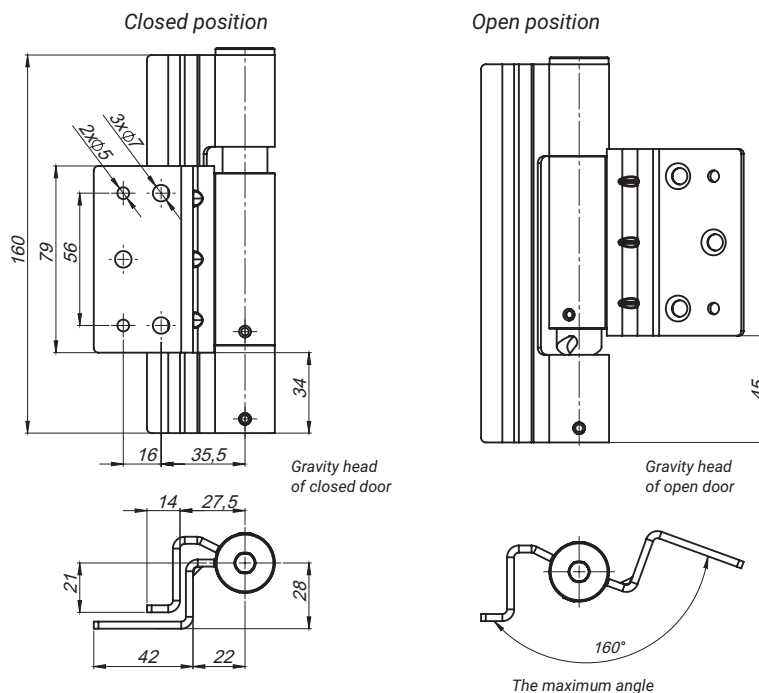
3.ST109.001-A - spring hinge causing self-locking

3.ST109.001-B - support hinge - without spring

# Fire door hinge 3.ST109.003, 3.ST109.004

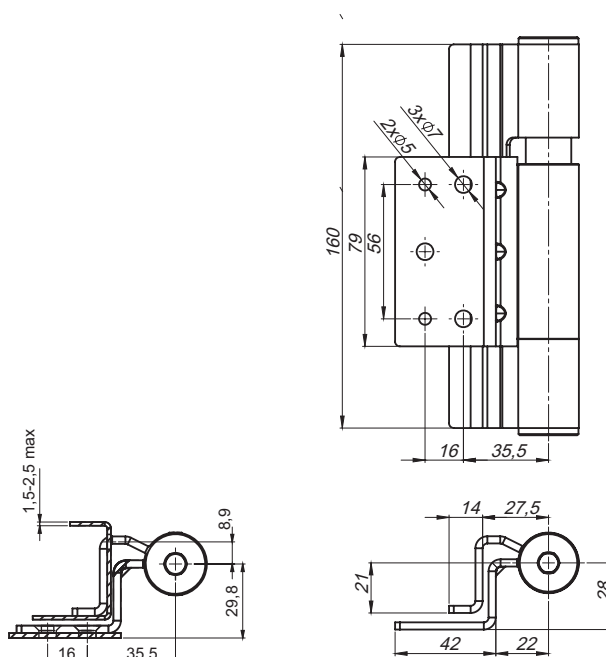
## 3.ST109.003-A

Right version



CATALOGUE NUMBER	VERSION	COMPONENTS	MATERIAL
3.ST109.003-A	Right	Handle, base	Steel zinc plated
3.ST109.003-B	Left		

Bearing hinge causes automatic door closure and lifting the door while opening.  
The set of hinges is 3.ST109.003 + 3.ST109.004 or two hinges 3.ST109.003  
Left version is the mirror image of the right version.



CATALOGUE NUMBER	COMPONENTS	MATERIAL
3.ST109.004	Handle, base	Steel zinc plated

The positioning hinge in door axis cooperates only with the hinge 3.ST109.003

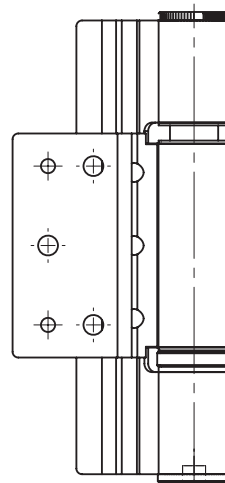
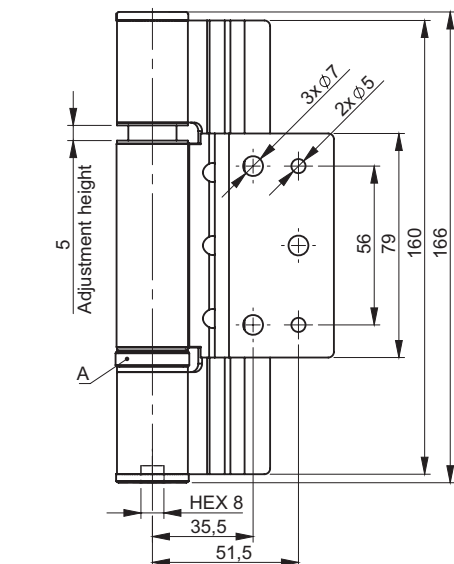
Fire door hinges with high regulation on thread

**3.ST109.007-B**

Left version

**3.ST109.007-A**

Right version



CATALOGUE NUMBER	VERSION	COMPONENTS	MATERIAL
<b>3.ST109.007-A</b>	Right	Holder, Base, Pin	Steel zinc plated
<b>3.ST109.007-B</b>	Left		

A - thrust bearing

Max. load: 80kg

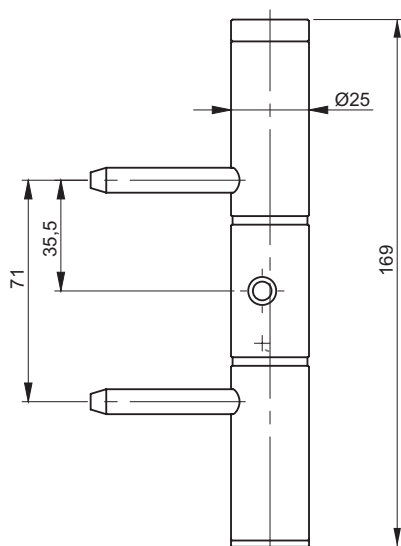
Hinge welded to door frame and screwed into a door

Hinge 3.ST109.007 is compatible with spring hinge 3.ST109.001-A

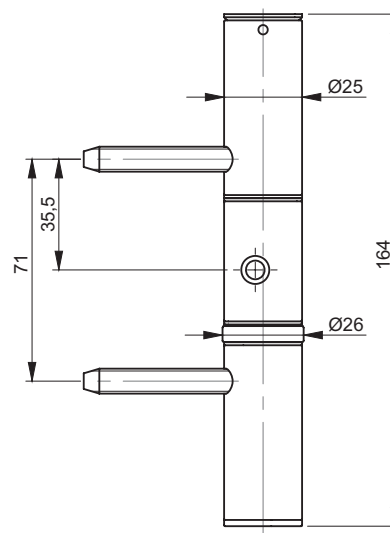


3.ST109.100

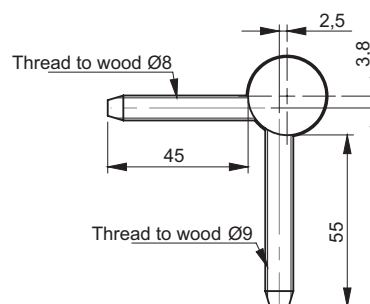
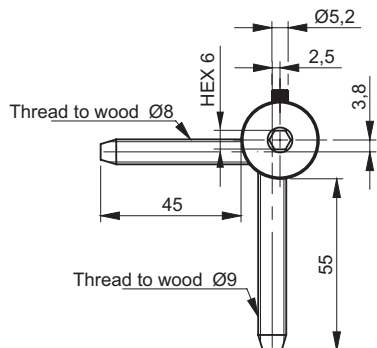
3.ST109.100



3.ST109.101



3.ST109.101

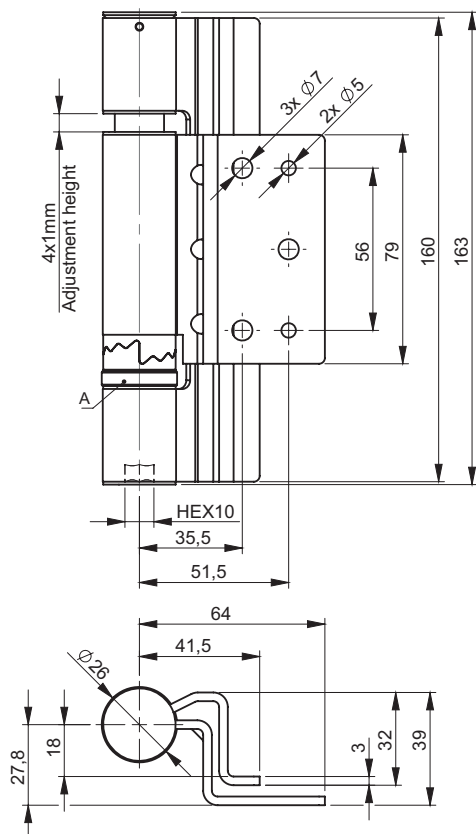


CATALOGUE NUMBER	DETAIL	COMPONENTS	MATERIAL
3.ST109.100	Spring hinge	Holder, Base	Steel zinc plated
3.ST109.101	KO hinge		

Fire door hinges with height regulation

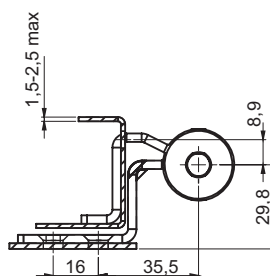
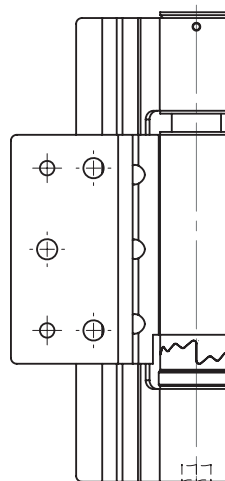
**3.ST109.009-B**

Left version



**3.ST109.009-A**

Right version



CATALOGUE NUMBER	VERSION	COMPONENTS	MATERIAL
3.ST109.009-A	Right	Holder, Base, Pin	Steel zinc plated
3.ST109.009-B	Left		

A - thrust bearing

Max. load: 80kg

Hinge welded to door frame and screwed into a door

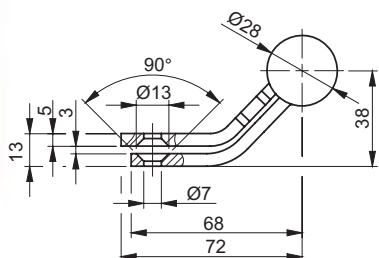
4-stage height adjustment, each stage lifts or lowers the door of 1mm

Hinge 3.ST109.009 is compatible with spring hinge 3.ST109.001-A

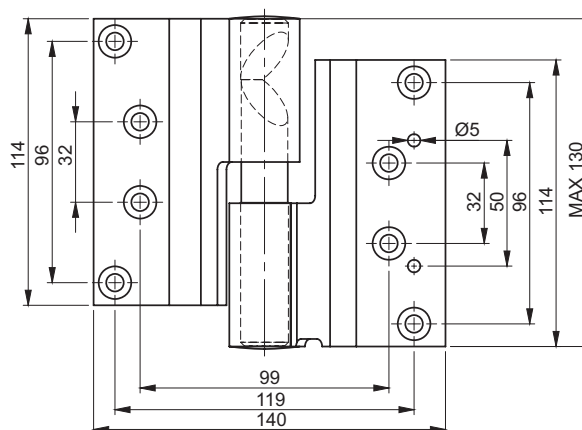
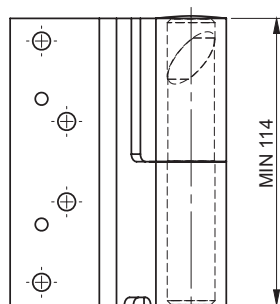
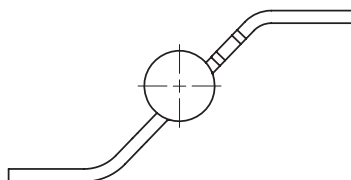


## 3.ST125.001

Right version - open position

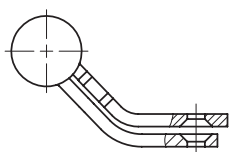


Left version - open position

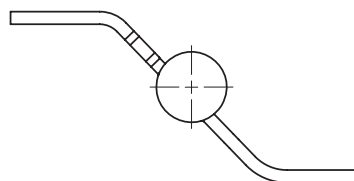


## 3.ST125.002

Right version - closed position



Right version - open position



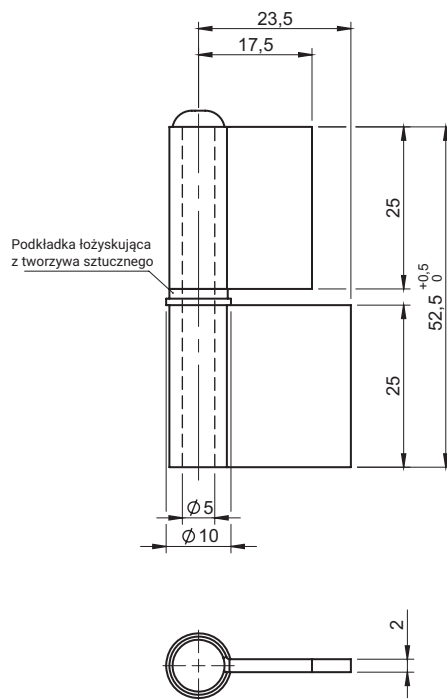
CAT. NUMBER	VERSION	COMPONENTS	MATERIAL	FINISH [C] Chrome
3.ST125.001	Left	Door, Insert	Carbon steel	01
3.ST125.002	Right			

Left version is the mirror image of the right version

### How to order:

Catalogue number  
Finish

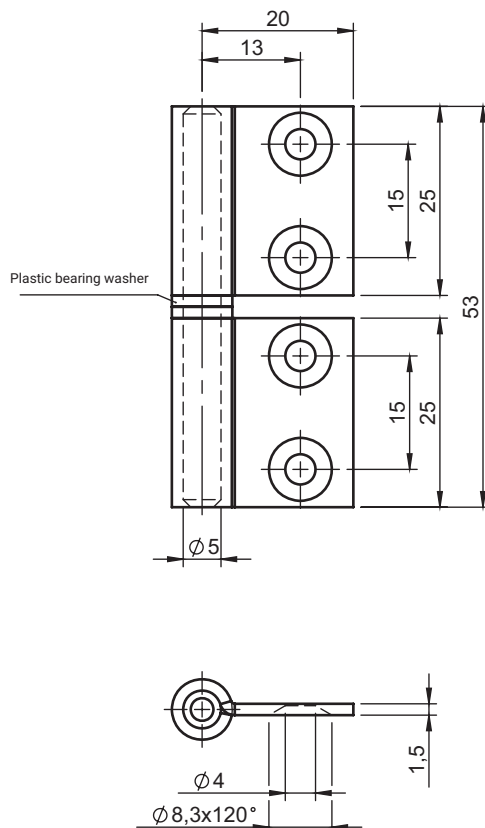
3.ST125.001 — C



NEW



CATALOGUE NUMBER	COMPONENTS	MATERIAL
3.ST127.001SN	Holder, Base, Pin	Stainless steel



NEW



Hinge pin welded into one of the wings during final assembly.  
Hinge supplied in a sets of parts.

CATALOGUE NUMBER	COMPONENTS	MATERIAL
3.ST127.002SN	Holder, Base, Pin	Stainless steel



NEW



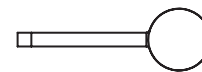
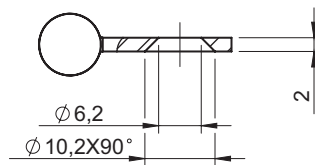
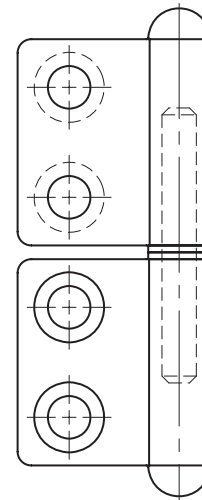
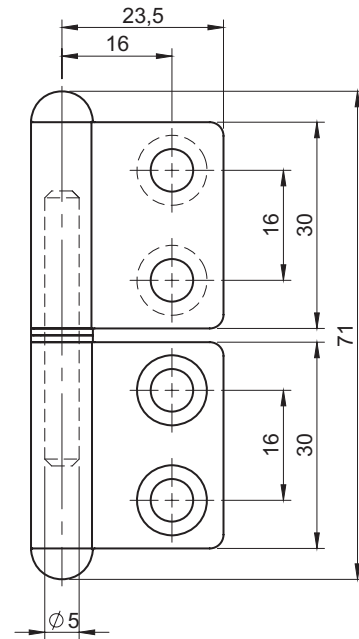
LEFT HINGE



RIGHT HINGE

**LEFT HINGE**  
**3.ST127.003SN - B**

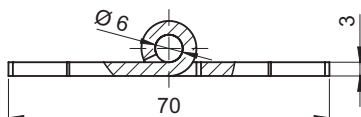
**RIGHT HINGE**  
**3.ST127.003SN - A**



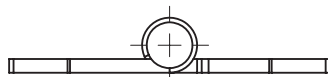
CATALOGUE NUMBER	VERSION	COMPONENTS	MATERIAL
3.ST127.003SN-A	Right	Holder, Base, Pin	Stainless steel
3.ST127.003SN-B	Left		



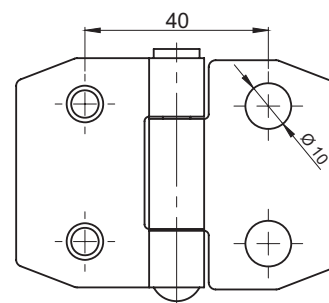
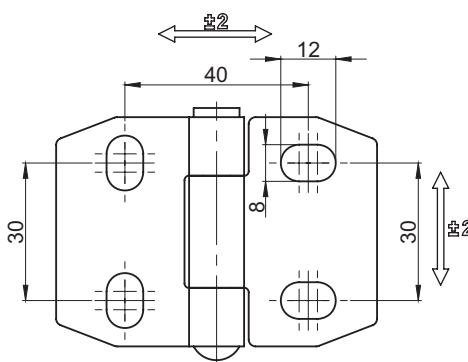
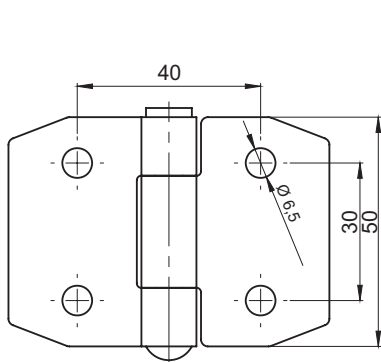
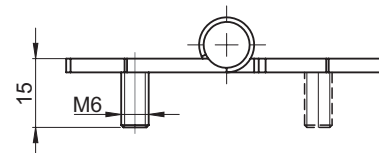
**3.ST30.001**  
**3.ST30.001SN**



**3.ST30.005**



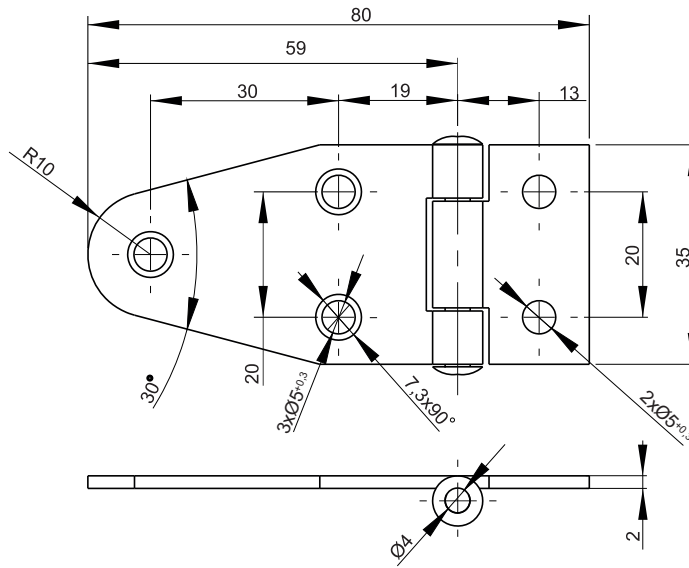
**3.ST30.008**  
**3.ST30.010**



CATALOGUE NUMBER	VERSION	COMPONENTS	MATERIAL
<b>3.ST30.001</b>	4x Ø 6,5	Holder, Base	Steel zinc plated
		Pin	Stainless steel
<b>3.ST30.001SN</b>		Holder, Base, Pin	Stainless steel
<b>3.ST30.005</b>	4x 8x12	Holder, Base	Steel zinc plated
		Pin	Stainless steel
<b>3.ST30.008</b>	2x M6x15 2x Ø 10	Holder, Base	Steel zinc plated
		Pin	Stainless steel
<b>3.ST30.010</b>	4x M6x15	Holder, Base	Steel zinc plated
		Pin	Stainless steel

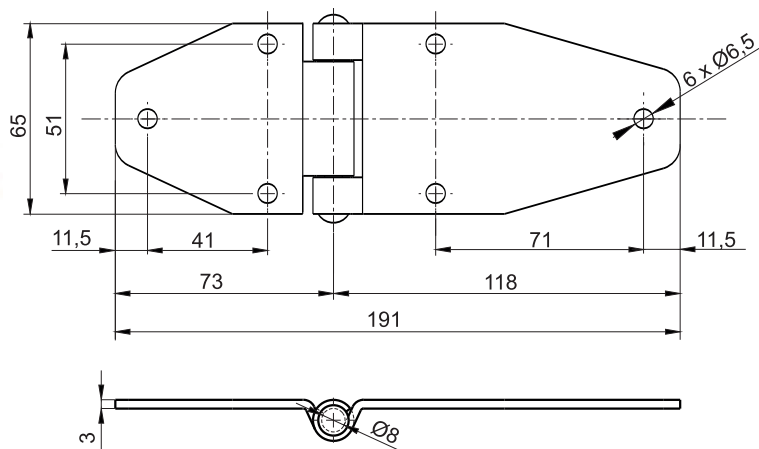
# Hinge 3.ST35, 3.ST35-1

stainless steel



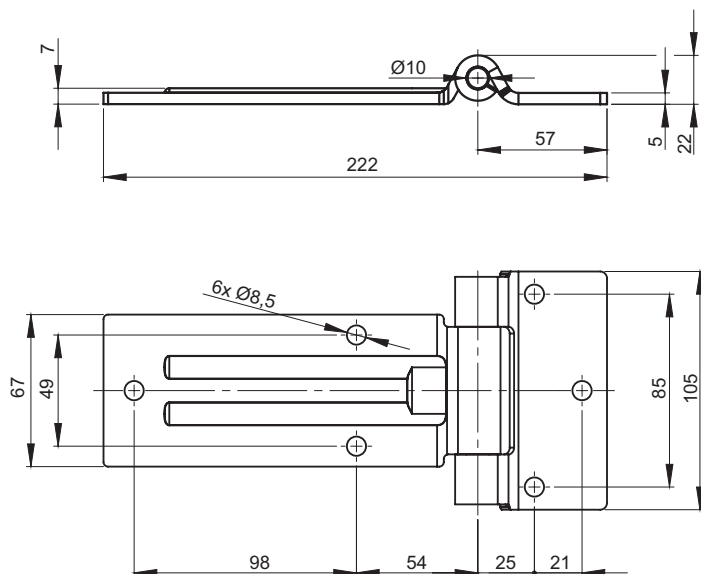
CATALOGUE NUMBER	COMPONENTS	MATERIAL
3.ST35-1.001	Holder, Base, Pin	Steel zinc plated
3.ST35-1.001SN	Holder, Base, Pin	Stainless steel

stainless steel

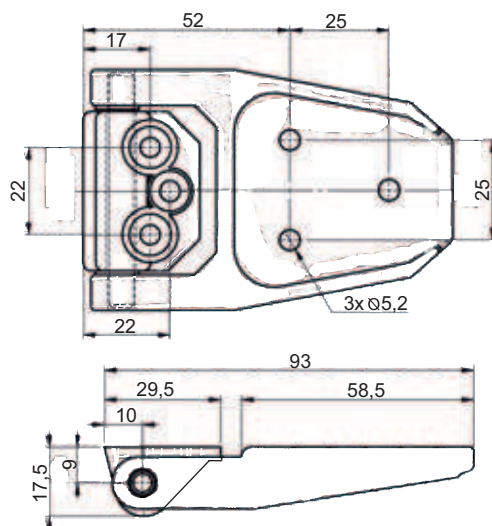


CATALOGUE NUMBER	COMPONENTS	MATERIAL
3.ST35.001	Holder, Base, Pin	Steel zinc plated
3.ST35.001SN	Holder, Base, Pin	Stainless steel

# Hinge 3.ST133, 3.534



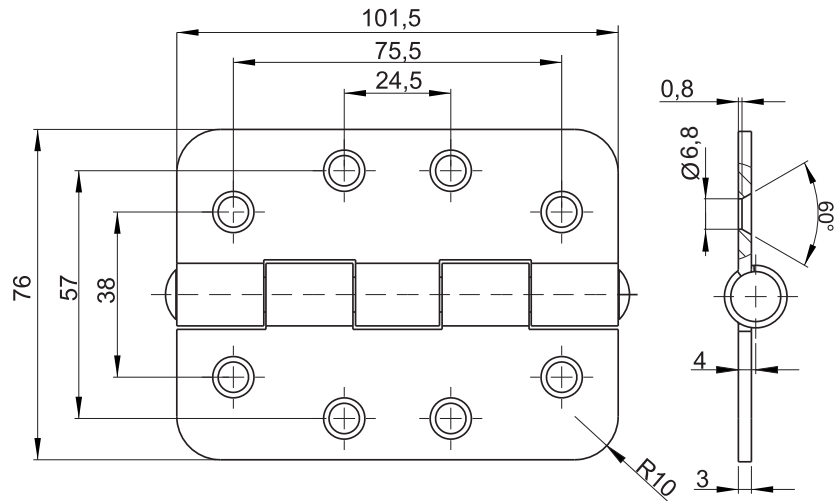
CATALOGUE NUMBER	COMPONENTS	MATERIAL
3.ST133.001	Holder, Base, Pin	Stainless steel polished



CATALOGUE NUMBER	COMPONENTS	MATERIAL	FINISH [C]
3.534.001	Holder, Base	Polyamide	RAL 9005
	Pin	Polyamide	07

# Hinge 3.ST35-2, 3.ST58

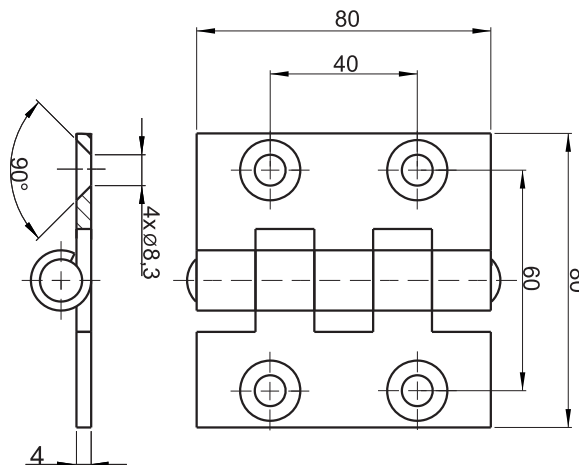
stainless steel



CATALOGUE NUMBER	COMPONENTS	MATERIAL
------------------	------------	----------

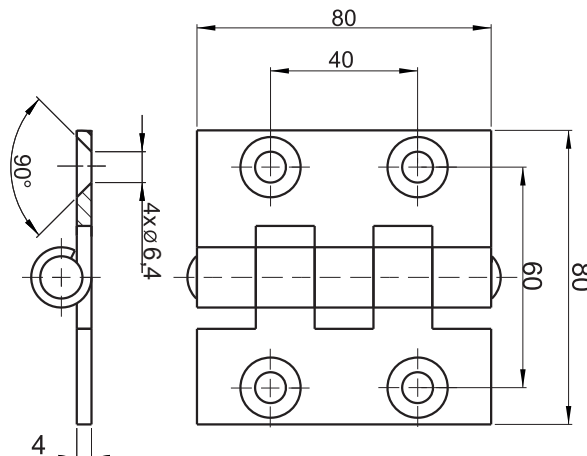
3.ST35-2.002	Holder, Base	Stainless steel
	Pin	Stainless steel

Hinge available with beveled holes or without.



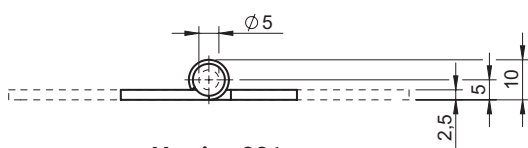
CATALOGUE NUMBER	COMPONENTS	MATERIAL
------------------	------------	----------

3.ST58.001	Holder, Base	Steel zinc plated
	Pin	Stainless steel

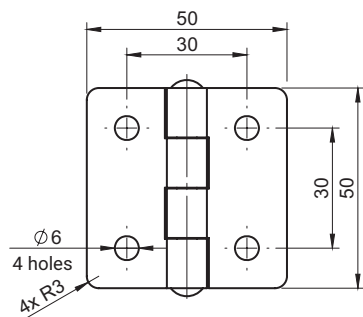


CATALOGUE NUMBER	COMPONENTS	MATERIAL
------------------	------------	----------

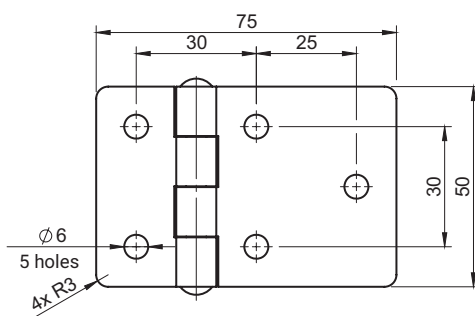
3.ST58.002	Holder, Base	Steel zinc plated
	Pin	Stainless steel



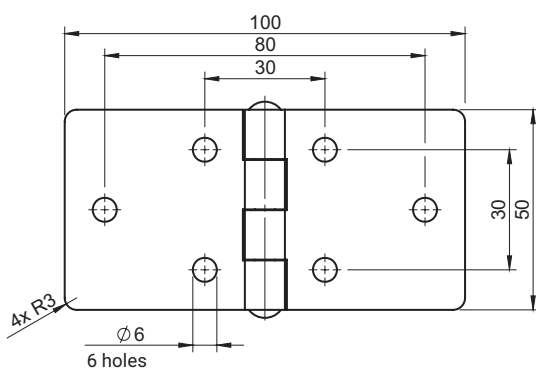
**Version 001**



**Version 002**



**Version 003**

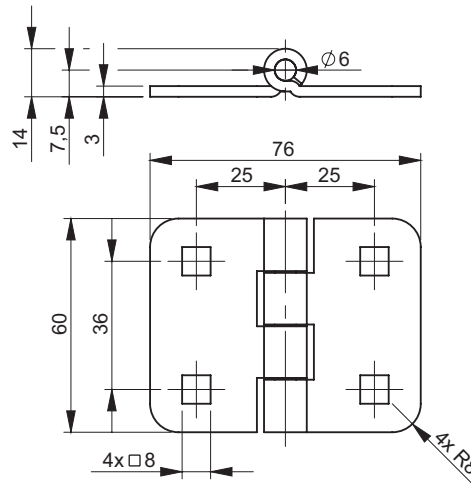


CATALOGUE NUMBER	COMPONENTS	MATERIAL	FINISH [C]		
			No finish	Galvanized	RAL 9005
3.ST114.001 3.ST114.002 3.ST114.003	Holder, Base	Steel	-	01	04
	Pin	Stainless steel	-	-	-
3.ST114.001SN 3.ST114.002SN 3.ST114.003SN	Holder, Base, Pin	Stainless steel	00	-	-

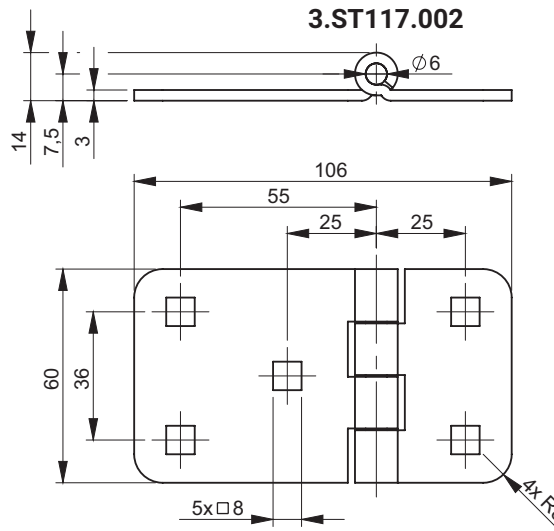
**How to order:**  
 Catalogue number  
 Finish [C]



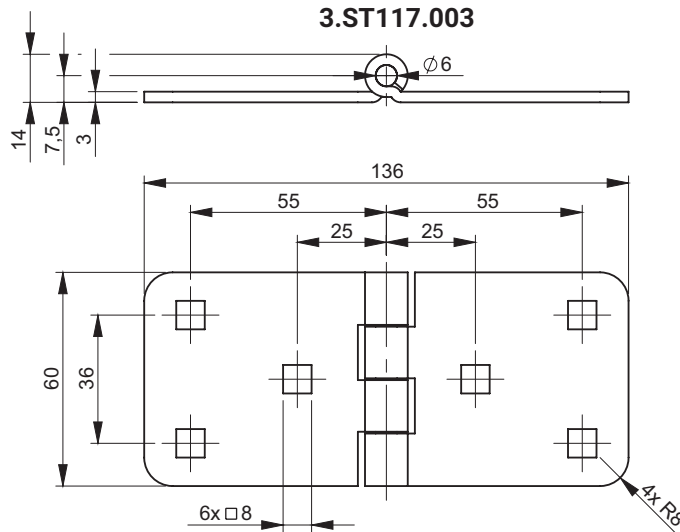
**3.ST117.001**



**3.ST117.002**



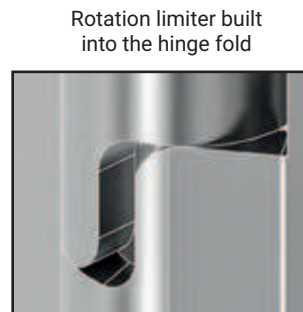
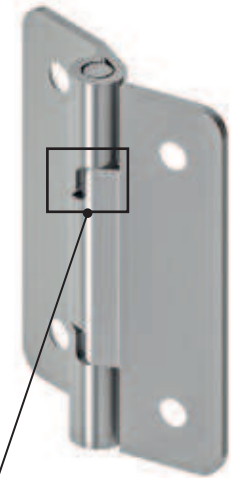
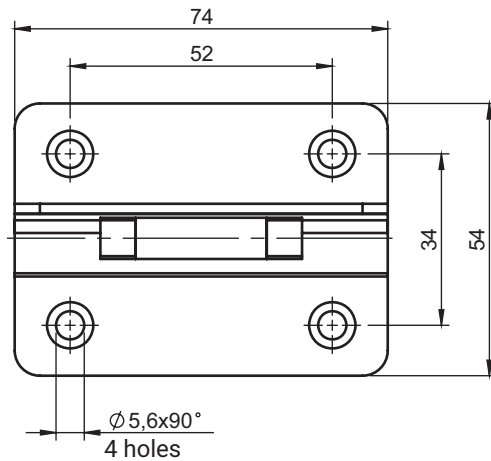
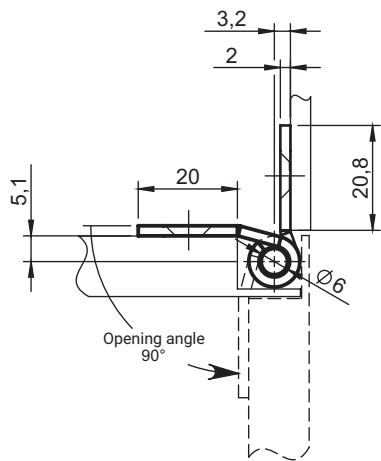
**3.ST117.003**



CATALOGUE NUMBER	COMPONENTS	MATERIAL
3.ST117.001	Holder, Base, DIN603 M8x16	Steel zinc plated
3.ST117.002		
3.ST117.003		Pin

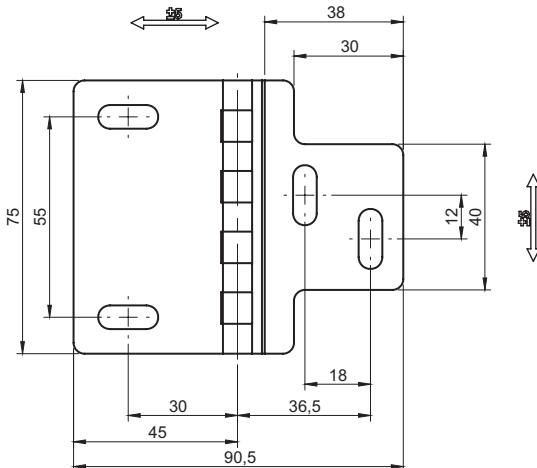
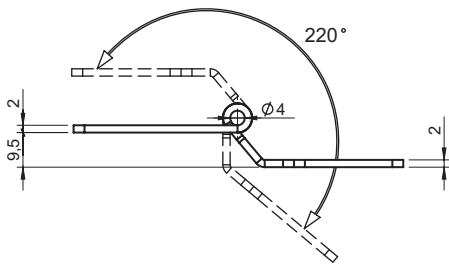
Hinge sold together with set of screws DIN 603 M8x16

# Hinge with an opening angle limiter 3.ST145 Hinge 3.ST146



Hinge with an opening angle limiter up to 90°.

CATALOGUE NUMBER	COMPONENTS	MATERIAL
3.ST145.001SN	Holder, Base, Pin	Stainless steel



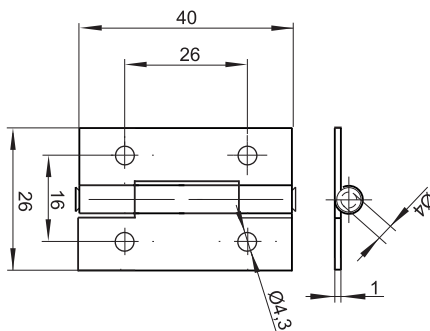
Hinge with two-way position adjustment

CATALOGUE NUMBER	MATERIAL
3.ST146.001SN	Stainless steel





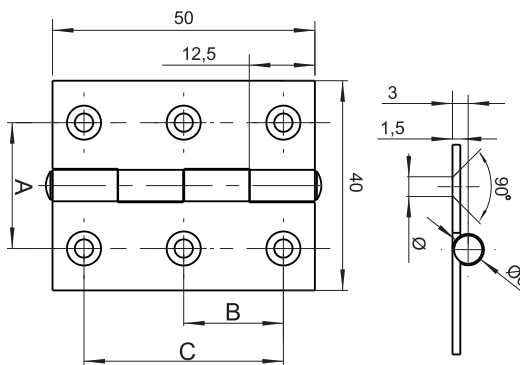
stainless steel



CATALOGUE NUMBER	COMPONENTS	MATERIAL
3.ST37.001	Holder, Base, Pin	Steel zinc plated
3.ST37.001SN	Holder, Base, Pin	Stainless steel



stainless steel



CATALOGUE NO.	X	Ø	A	B	C	FINISH [C]	
						RAL 9005	RAL 7035
3.ST48.00X	1	4,7mm	24	19	38	04	05
3.ST48.00X SN	2	5mm	23	17,5	35	-	-
	3'	4mm	23	17,5	35	-	-

where:  
X - indication of the hinge  
\* - no chamfer on mounting holes

CATALOGUE NUMBER	COMPONENTS	MATERIAL	FINISH [C]	
			RAL 9005	RAL 7035
3.ST48.00X	Holder, Base, Pin	Steel zinc plated	04	05
3.ST48.00X SN	Holder, Base, Pin	Stainless steel	-	-

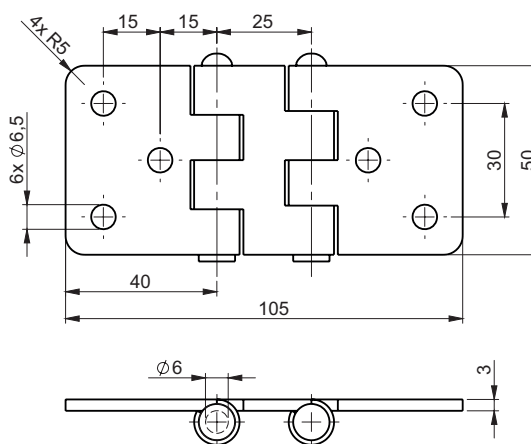
### How to order:

Catalogue number \_\_\_\_\_  
Finish \_\_\_\_\_

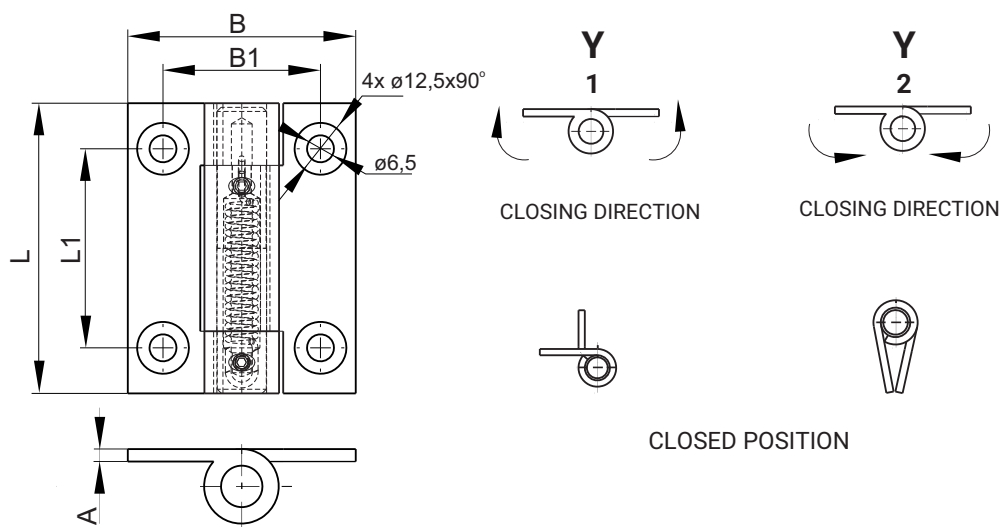
3.ST48.00X — C



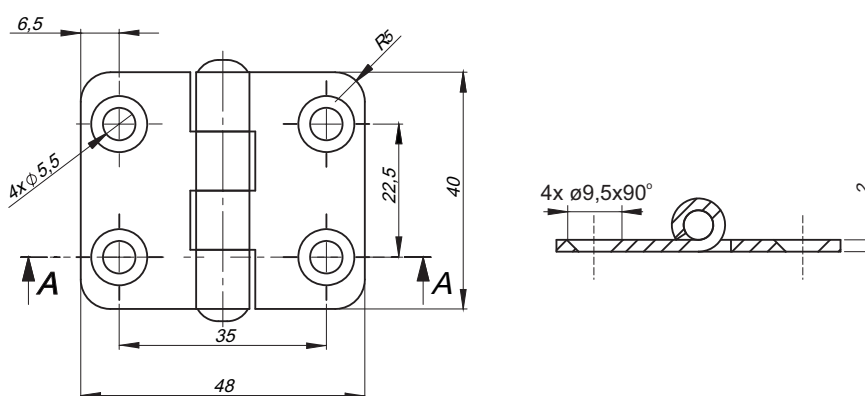
stainless steel



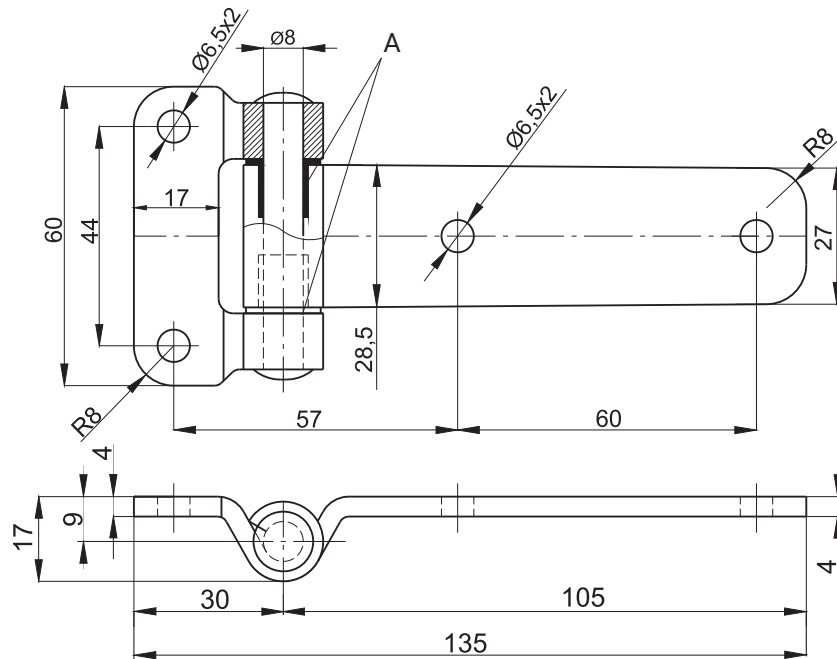
CATALOGUE NUMBER	COMPONENTS	MATERIAL
3.ST55.001	Holder, Base, Pin	Steel zinc plated
3.ST55.001SN	Holder, Base, Pin	Stainless steel



HINGE	X	A	L	L1	B	B1
3.ST108.X0Y	1	3	70	48	55	38
	2	3	80	60	65	45
	3	3	60	36	76	56
CATALOGUE NUMBER	COMPONENTS		MATERIAL			
3.ST108.001	Holder, Base		Steel zinc plated			
	Pin		Steel zinc plated			



CATALOGUE NUMBER	COMPONENTS	MATERIAL
3.ST28.001	Holder, Base	Stainless steel 1.4301
	Pin	Stainless steel 1.4301



**CATALOGUE NUMBER**

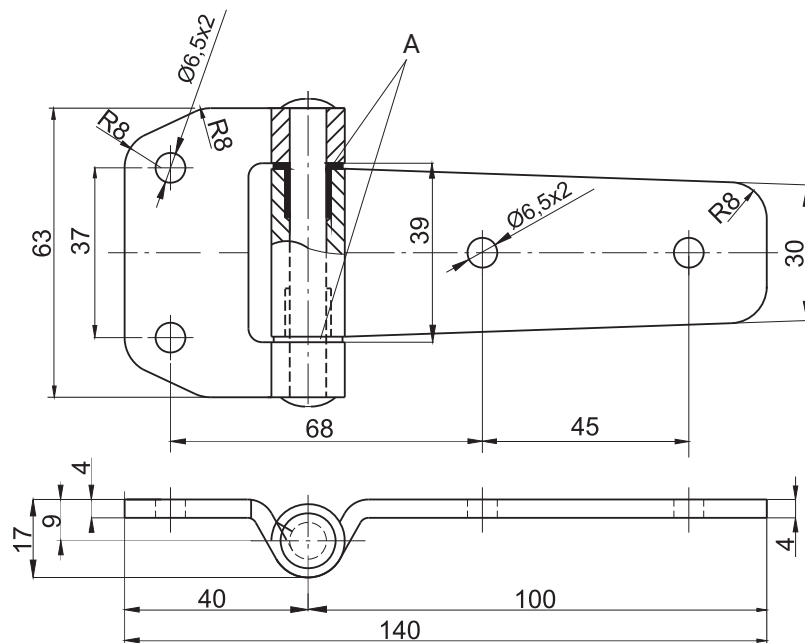
**COMPONENTS**

**MATERIAL**

**FINISH [C]**  
RAL 9005

<b>3.ST56.002</b>	Holder, Base	Steel zinc plated	04
	Pin	Stainless steel	
<b>3.ST56.002SN</b>	Holder, Base, Pin	Stainless steel	-

A - plastic washers



**CATALOGUE NUMBER**

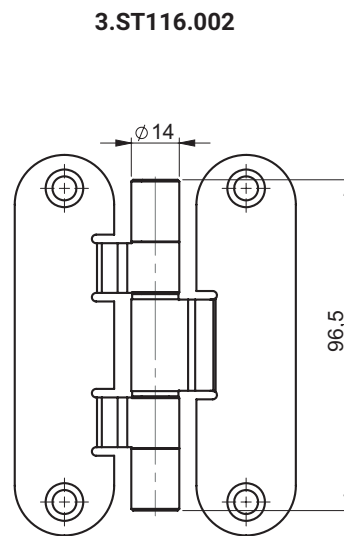
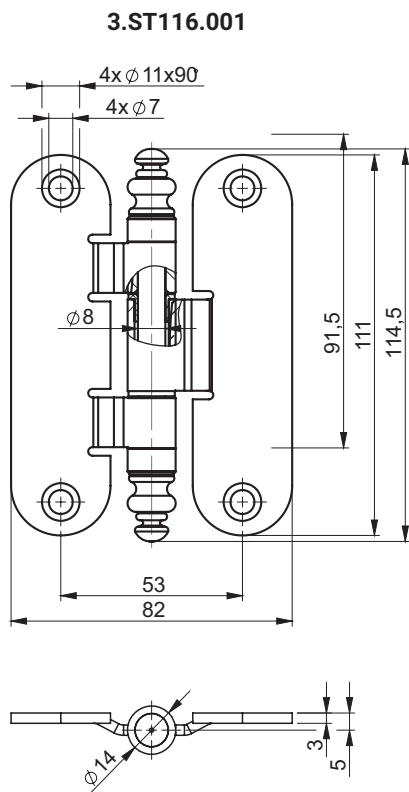
**COMPONENTS**

**MATERIAL**

**FINISH [C]**  
RAL 9005

<b>3.ST56.100</b>	Holder, Base	Steel zinc plated	04
	Pin	Stainless steel	
<b>3.ST56.100SN</b>	Holder, Base, Pin	Stainless steel	-

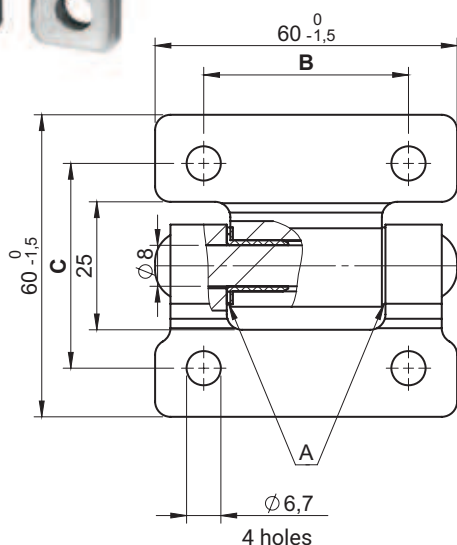
A - plastic washers



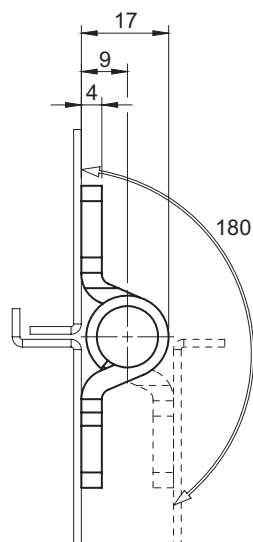
A - plastic bushing

CATALOGUE NUMBER	COMPONENTS	MATERIAL	FINISH
3.ST116.001.01	Holder, Base, Cap	Steel	Zinc plated + enamel
	Pin		Zinc plated
3.ST116.001.02	Holder, Base, Cap		Copper plated + enamel
	Pin		Zinc plated
3.ST116.002.01	Holder, Base, Cap		Zinc plated + enamel
	Pin		Zinc plated
3.ST116.002.02	Holder, Base, Cap		Copper plated + enamel
	Pin		Zinc plated

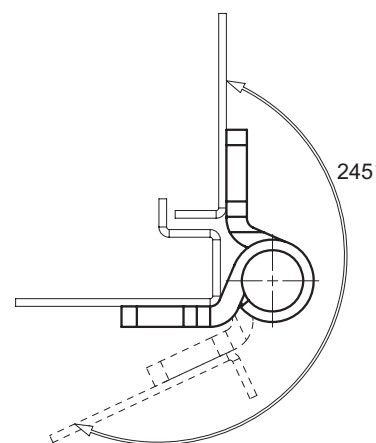
# Hinge 3.ST56-2



Version .001 .002



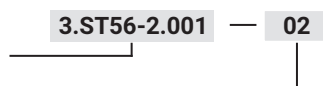
Version .003 .004



A - plastic bushing

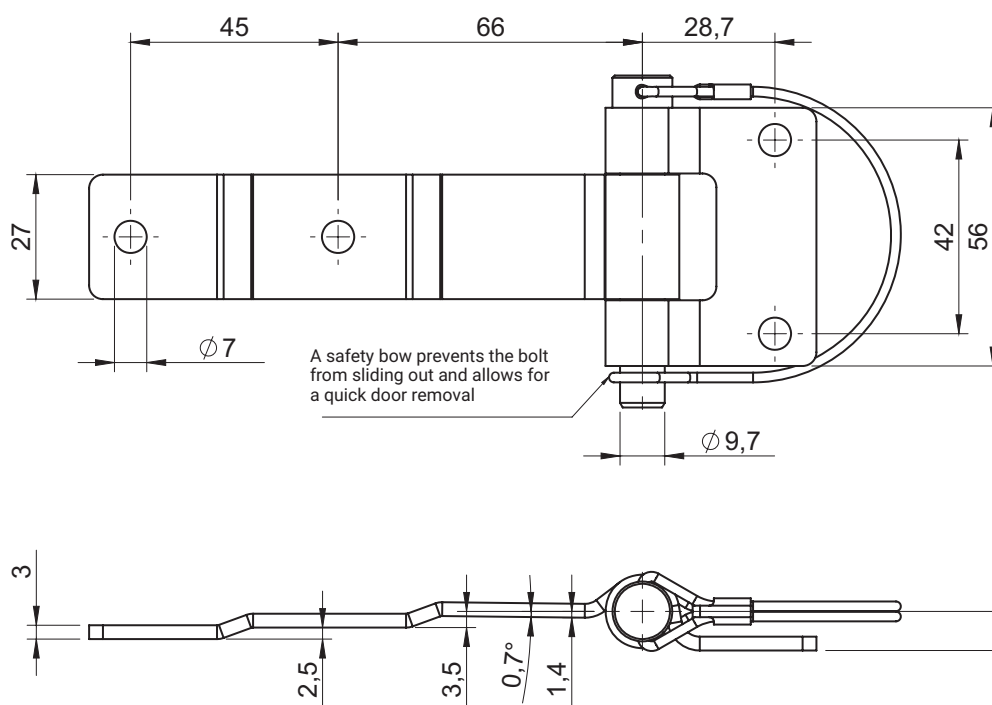
CATALOGUE NUMBER	DIMENSION		COMPONENTS	MATERIAL	FINISH [C]			
	B	C			RAL 9005			
3.ST56-2.001	40	40	Holder, Base, Pin	Steel zinc plated Stainless steel	02			
3.ST56-2.003								
3.ST56-2.002								
3.ST56-2.004								
3.ST56-2.001SN	40	40	Holder, Base, Pin	Stainless steel	Brak			
3.ST56-2.003SN								
3.ST56-2.002SN								
3.ST56-2.004SN								
3.ST56-2.001	44	43				Holder, Base, Pin	Stainless steel	Brak
3.ST56-2.003								
3.ST56-2.002								
3.ST56-2.004								
3.ST56-2.001SN								
3.ST56-2.003SN								

How to order:  
Catalogue number  
Finish [C]



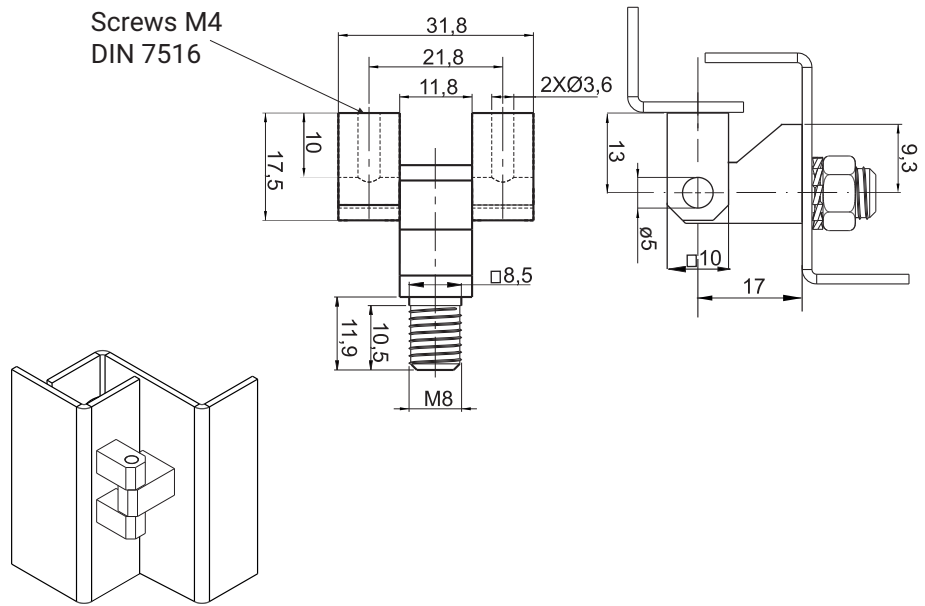
NEW

stainless steel



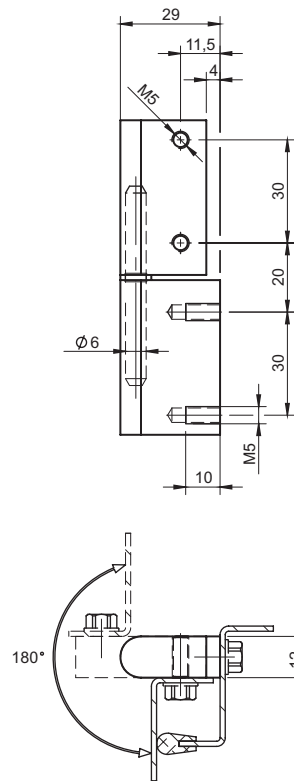
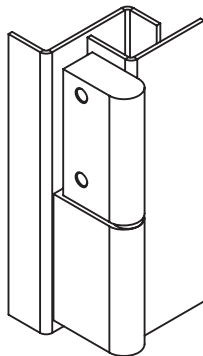
CATALOGUE NUMBER	COMPONENTS	MATERIAL
3.ST134.001SN	Holder, Base, Pin, Safety bow	Stainless steel

# Hinge 3.ZN20, 3.ST49



CATALOGUE NUMBER	COMPONENTS	MATERIAL	FINISH [C] RAL 9005
3.ZN20.001	Holder, Base	ZAMAK 5	04
	Pin	Steel zinc plated *	

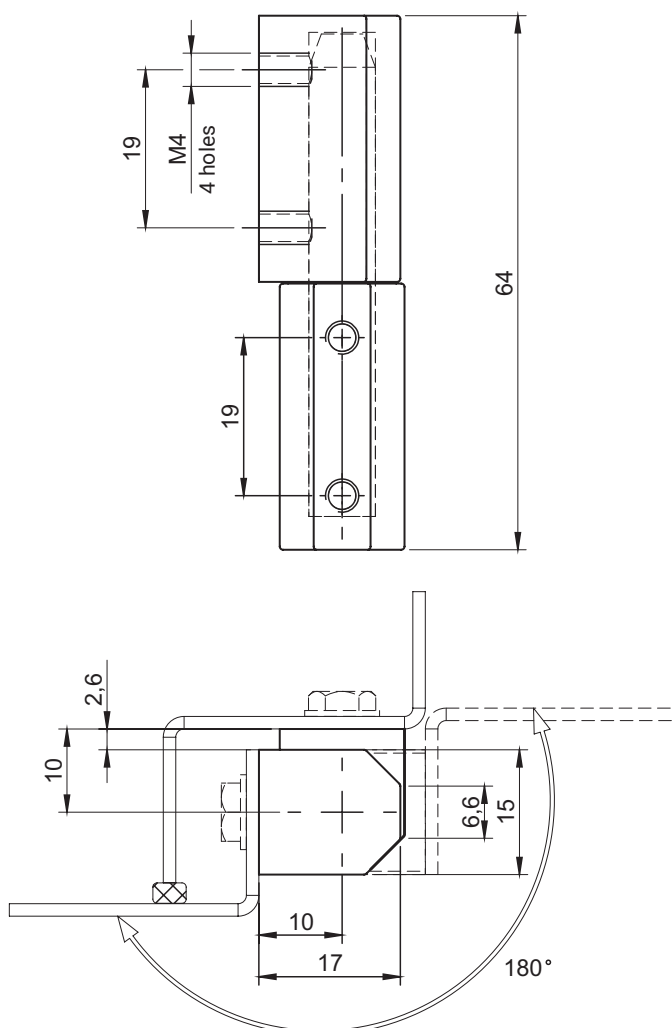
180°



CATALOGUE NUMBER	COMPONENTS	MATERIAL	FINISH [C] RAL 9005
3.ST49.001	Holder, Base	Steel	04
	Pin	Steel zinc plated	

NEW

180°

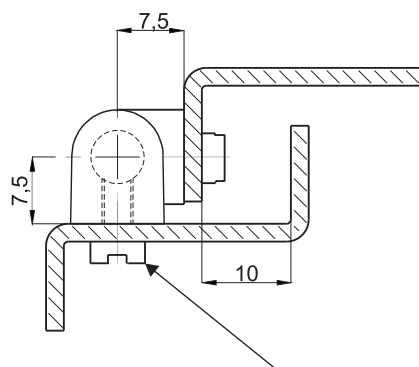
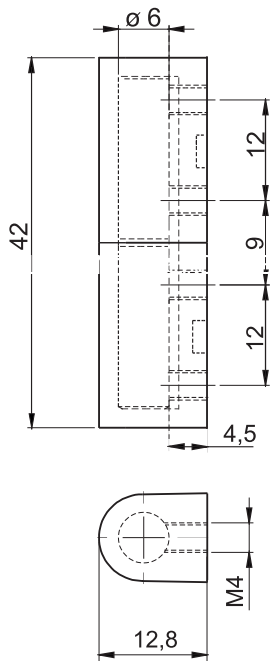


CATALOGUE NUMBER	COMPONENTS	MATERIAL	FINISH [C]	
			Chrome	RAL 9005
3.ZN158.001	Base, Holder	ZAMAK	01	04
	Insert	Stainless Steel	-	-

**How to order:**  
 Catalogue number  
 Finish [C]





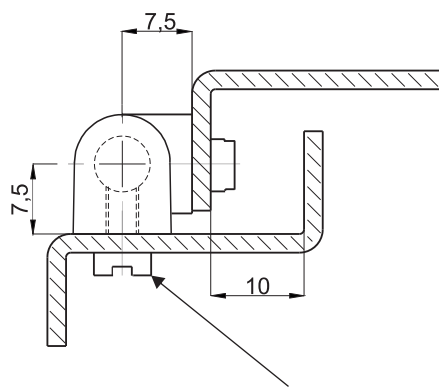
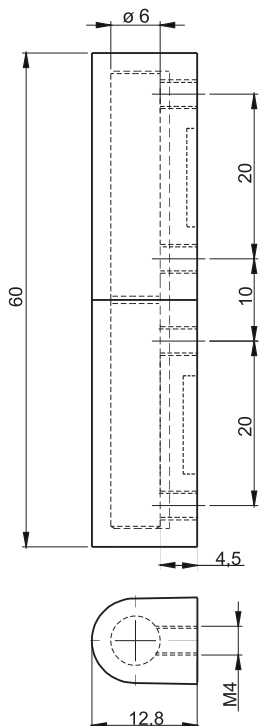


Screws M4 with cylindrical head  
DIN 84, ISO1207 \*\*

CATALOGUE NUMBER	COMPONENTS	MATERIAL	FINISH [C]
			RAL 9005
3.ZN155.001	Holder, Base	ZAMAK 5	04
	Pin	Steel zinc plated, *	

\* possibility to order stainless steel pin.

\*\*not included order



Screws M4 with cylindrical head  
DIN 84, ISO1207 \*\*

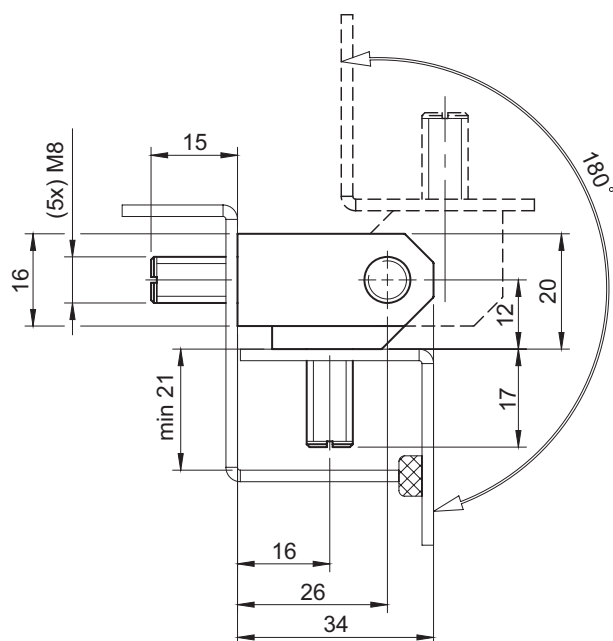
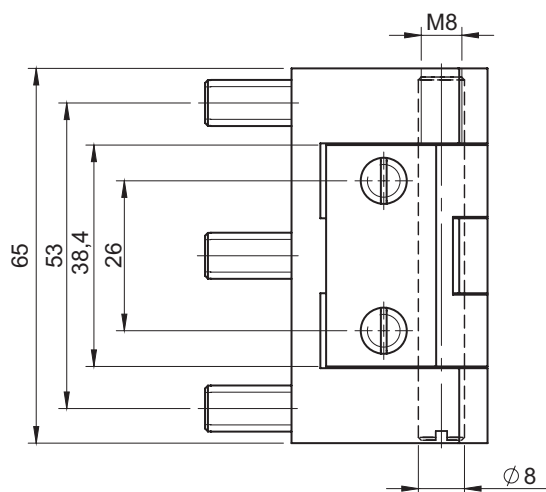
CATALOGUE NUMBER	COMPONENTS	MATERIAL	FINISH [C]
			RAL 9005
3.ZN155.002	Holder, Base	ZAMAK 5	04
	Pin	Steel zinc plated, *	

\* possibility to order stainless steel pin.

\*\*not included order

NEW

180°

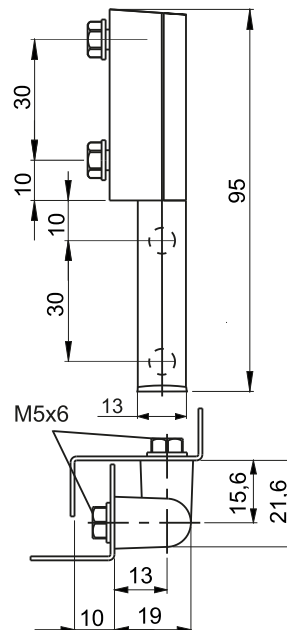
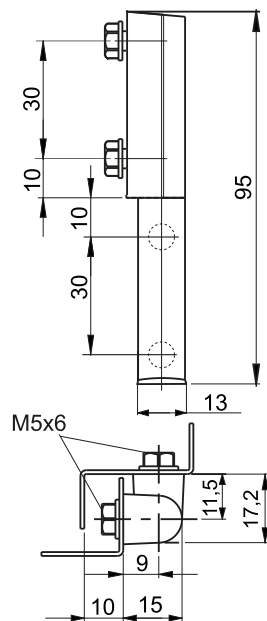


CATALOGUE NUMBER	COMPONENTS	MATERIAL	FINISH [C]
			Nickel
3.ST126.001	Holder, Base, Pin	Steel	02

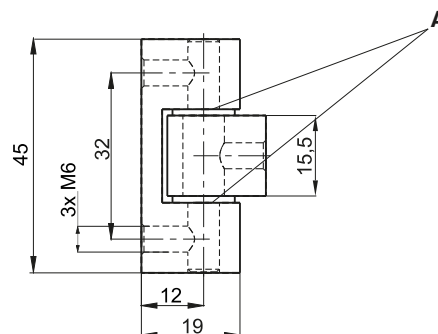
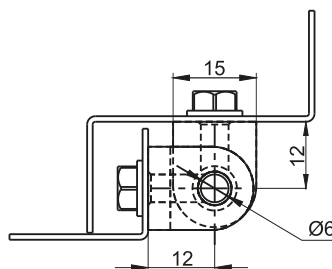


3.ZN151.001

3.ZN152.001



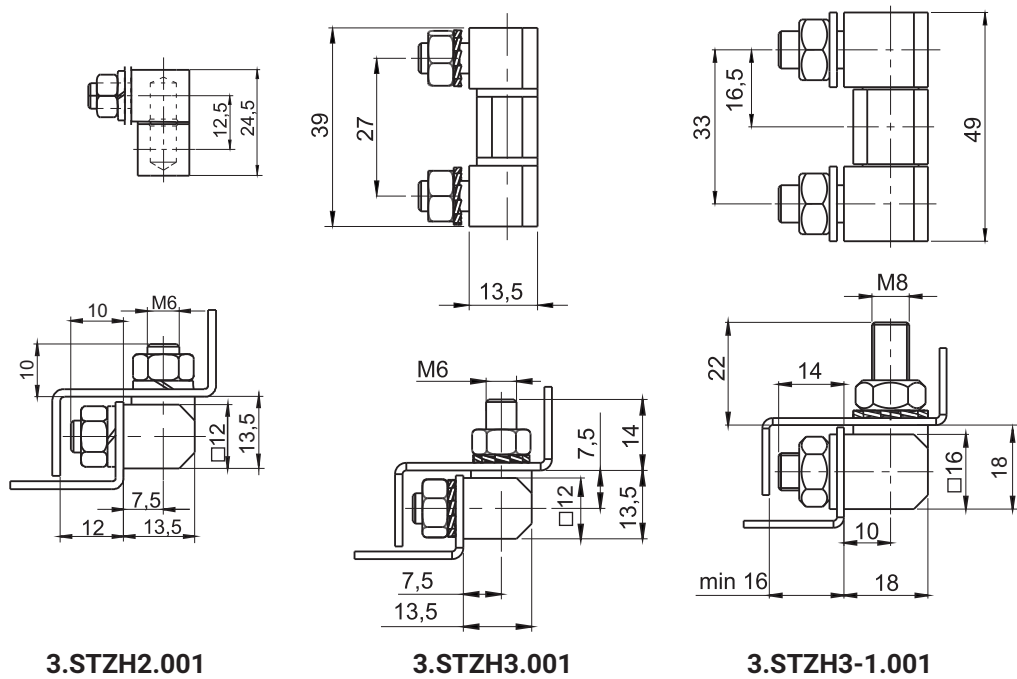
CATALOGUE NUMBER	COMPONENTS	MATERIAL	FINISH [C]
3.ZN151.001	Holder, Base	Polyamide	07
3.ZN152.001	Pin	Stainless steel	-



CATALOGUE NUMBER	COMPONENTS	MATERIAL	FINISH [C]
3.ST53.001	Holder, Base	ZAMAK 5	01 04
	Pin	Stainless steel	-
3.ST53.002	Holder, Base	Steel	01 04
	Pin	Stainless steel	-

A - plastic washer

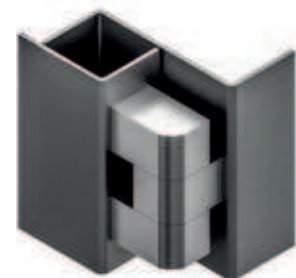
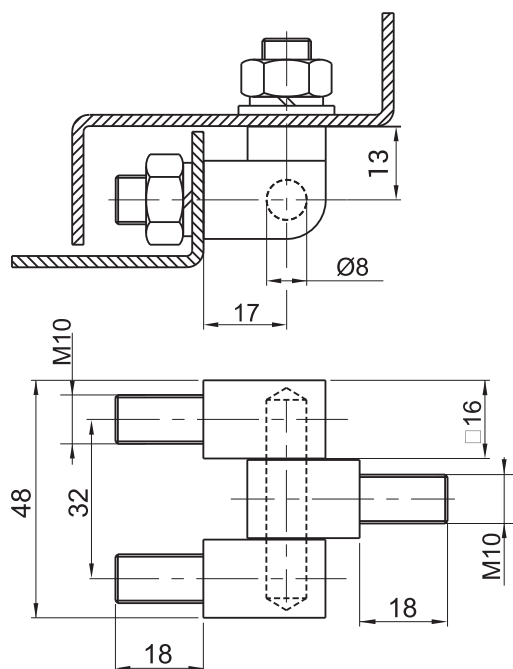
# Hinge 3.STZH2, 3.STZH3, 3.ST73



stainless steel



CATALOGUE NUMBER	COMPONENTS	MATERIAL
3.STZH2.001 3.STZH3.001 3.STZH3-1.001	Holder, Base, Pin	Steel zinc plated
3.STZH2.001SN 3.STZH3.001SN 3.STZH3-1.001SN	Holder, Base, Pin	Stainless steel

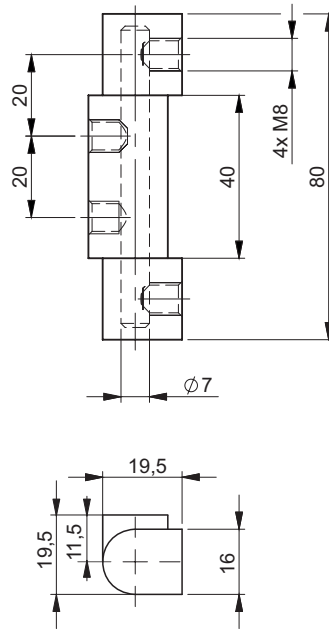


CATALOGUE NUMBER	COMPONENTS	MATERIAL
3.ST73.001	Holder, Base, Pin	Steel zinc plated

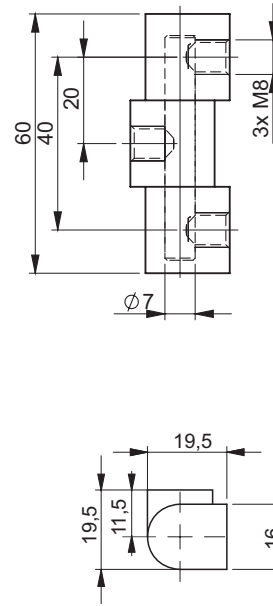
# Hinge 3.504, 3.505, 3.506, 3.507



**3.504.001**



**3.505.001**



**CATALOGUE NUMBER**

**COMPONENTS**

**MATERIAL**

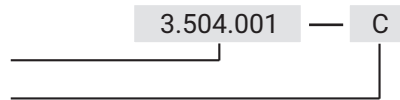
**FINISH [C]**

Galvanized Chrome

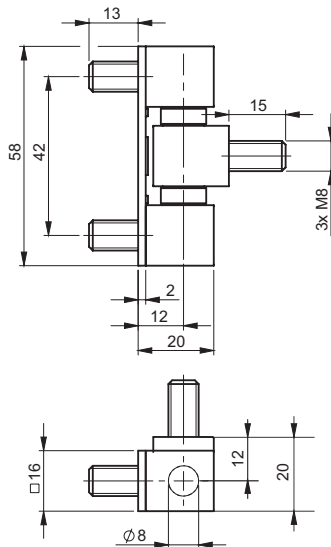
3.504.001	Holder, Base	Brass	00	01
3.505.001	Pin	Steel zinc plated		

**How to order:**

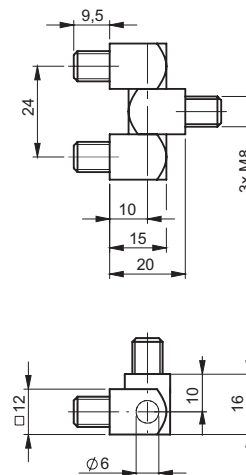
Catalogue number  
Finish



**3.506.001**



**3.507.001**



**CATALOGUE NUMBER**

**COMPONENTS**

**MATERIAL**

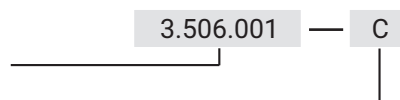
**FINISH [C]**

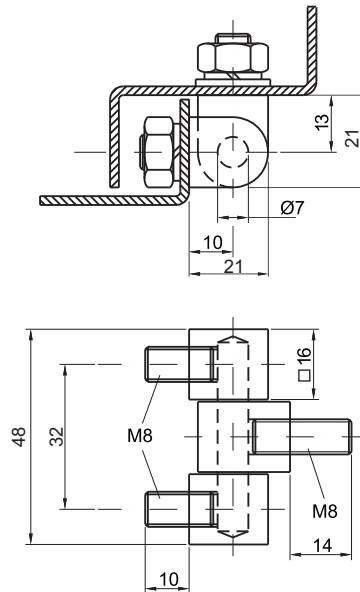
Nickel

3.506.001	Holder, Base	Steel	02
3.507.001	Pin	Steel zinc plated	

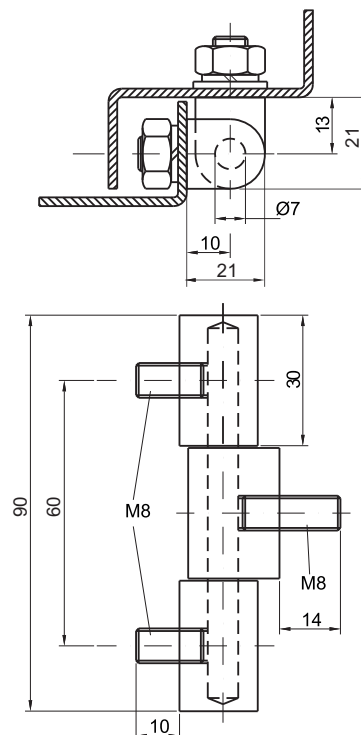
**How to order:**

Catalogue number  
Finish





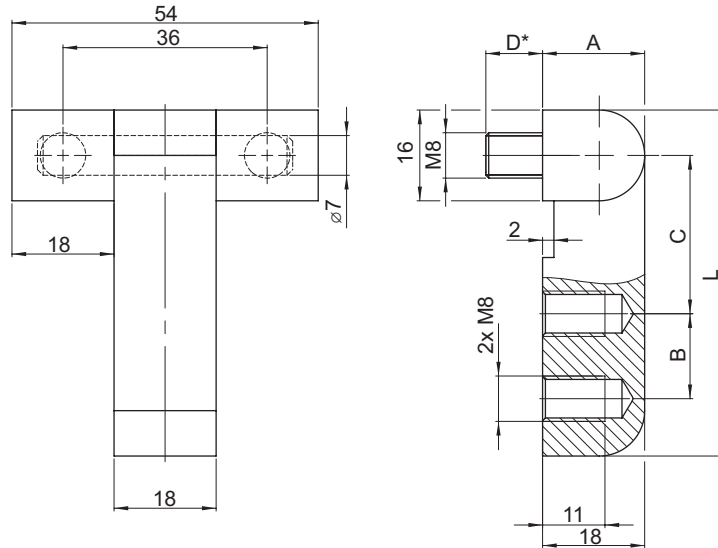
CATALOGUE NUMBER	COMPONENTS	MATERIAL
3.ST17.001	Pin	Steel zinc plated
	Holder, Base	Brass
3.ST17.001SN	Holder, Base, Pin	Stainless steel



CATALOGUE NUMBER	COMPONENTS	MATERIAL
3.ST18.001	Pin	Steel zinc plated
	Holder, Base	Brass
3.ST18.001SN	Holder, Base, Pin	Stainless steel

# Hinge 3.ST21, 3.ST22

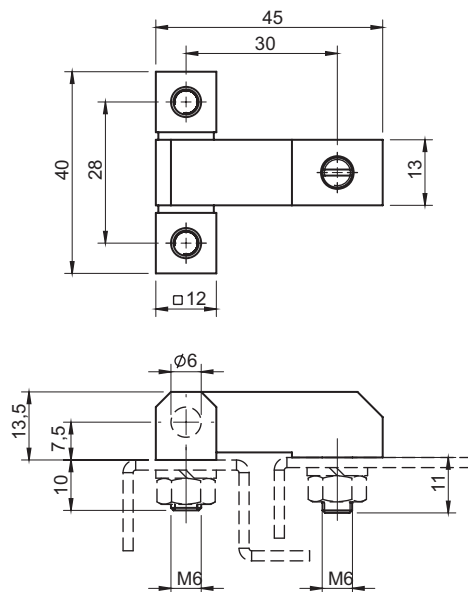
stainless steel



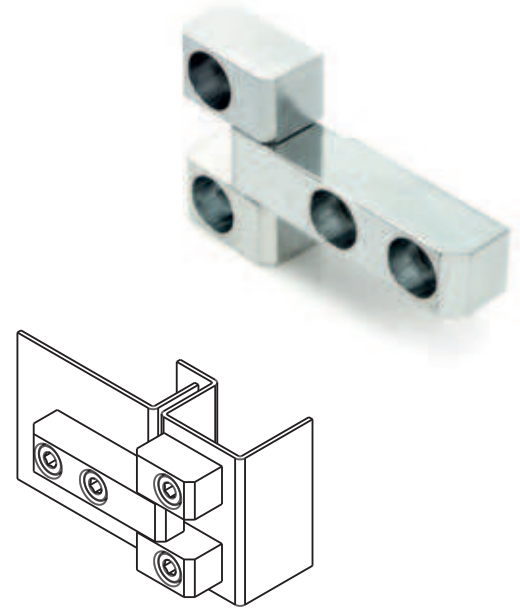
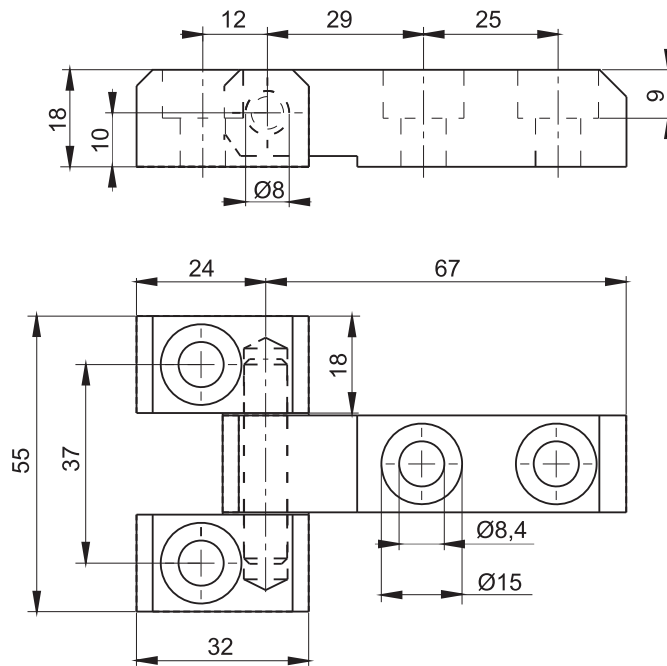
CATALOGUE NO.	L	A	B	C	D	COMPONENTS	MATERIAL
3.ST21.001	61	18	15	28	10	Holder Base Pin	Steel zinc plated Brass zinc plated Steel zinc plated
3.ST21.102	71	18	15	38	10		
3.ST21.103	74	18	23	35	10		
3.ST21.104	93	18	30	45	20	Holder, Base Pin	Steel zinc plated
3.ST21.105	108	18	30	60	20		
3.ST21.106	93	25	30	45	20		
3.ST21.001SN	61	18	15	28	10	Holder Base Pin	Stainless steel
3.ST21.102SN	71	18	15	38	10		
3.ST21.103SN	74	18	23	35	10		
3.ST21.104SN	93	18	30	45	20	Holder, Base Pin	Stainless steel
3.ST21.105SN	108	18	30	60	20		
3.ST21.106SN	93	25	30	45	20		
3.ST21.107SN	108	25	30	60	20	Holder, Base Pin	Stainless steel

\* possibility to make in different dimension

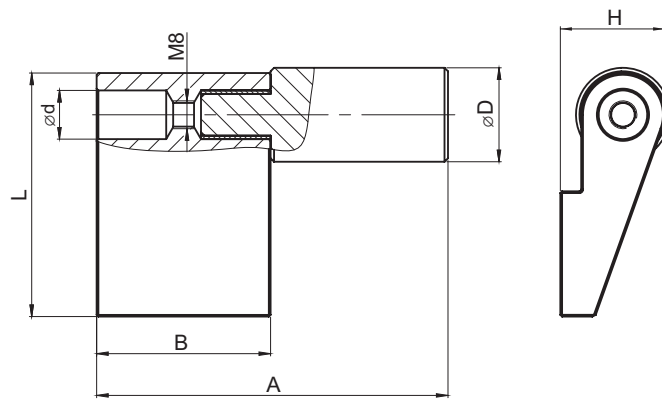
stainless steel



3.ST22.001		
3.ST22.001SN		



CATALOGUE NUMBER	COMPONENTS	MATERIAL
3.ST29.001	Holder, Base	Steel zinc plated
3.ST29.001SN	Holder, Base	Stainless steel

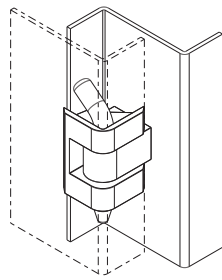


HINGE	D	d	L	H	A	B
3.ST102.001	27	14	70	30	101	50
3.ST102.002	27	14	90	30	101	50
3.ST102.006	20	12	55,5	24	80	40

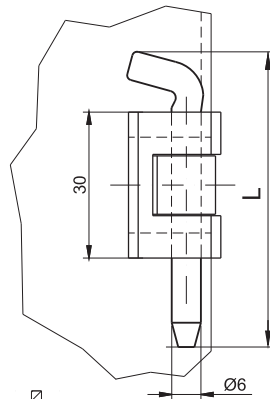
CATALOGUE NO.	COMPONENTS	MATERIAL
3.ST102.00X	Fin	Steel
	Pin	



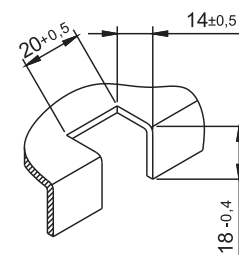
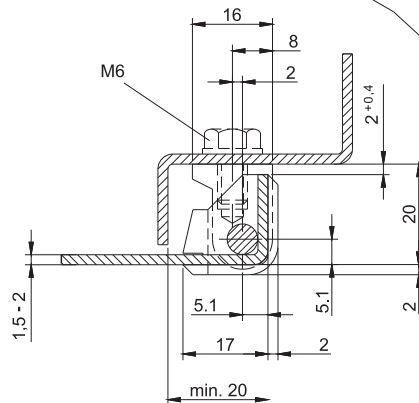
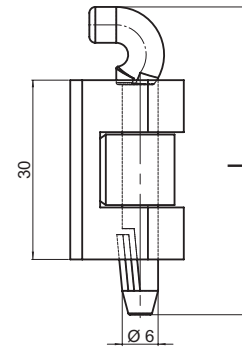
# Hinge 3.ZN70, 3.ZN.75



**Version**  
3.ZN70.001  
3.ZN70.002

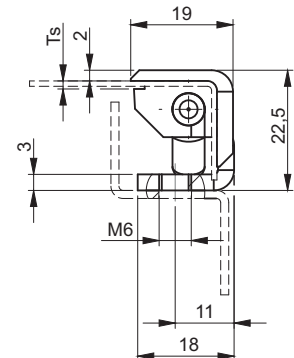
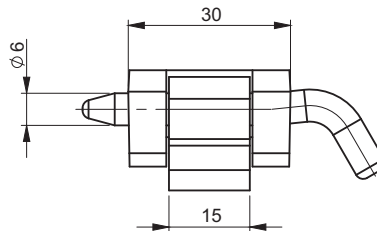
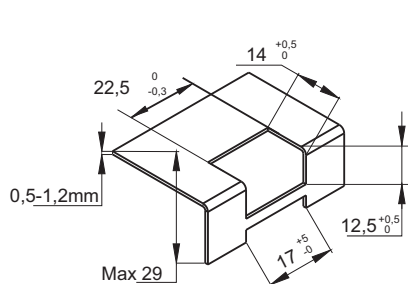


**Version**  
3.ZN70.003



Mounting hole

CATALOGUE NO.	DIMENSION L [mm]		COMPONENTS	MATERIAL	FINISH [C]				
					Chrome	Nickel	RAL9005	RAL7035	RAL7032
3.ZN70.001	56,5	70	Holder, Base Pin	ZAMAK 5 Steel zinc plated	01	02	04	05	12
3.ZN70.003	51,5		Holder, Base Pin	ZAMAK5 POM					
3.ZN70.002SN	56,5	70	Holder, Base, Pin	Stainless steel	-				



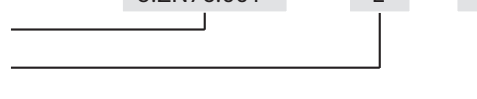
Ts - thickness of metal sheet [mm]

CATALOGUE NUMBER	Ts [mm]	COMPONENTS	MATERIAL	FINISH [C]			
				Chrome	Nickel	RAL9005	RAL7035
3.ZN75.003	0,8-1,2	Holder, Base Pin	ZAMAK 5 Steel zinc plated	01	02	04	05
3.ZN75.004	1,5-2,0	Holder, Base Pin	ZAMAK 5 Steel zinc plated				

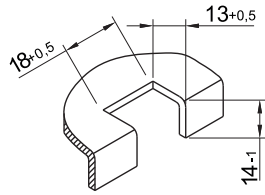
**How to order:**

Catalogue number  
Dimension  
Finish

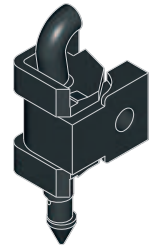
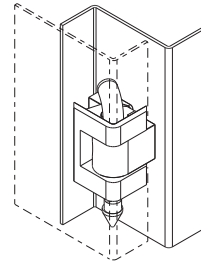
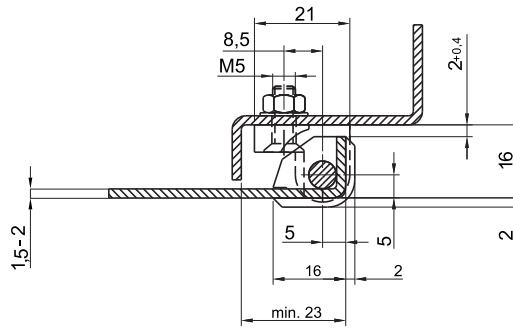
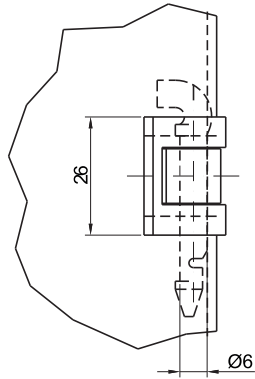
3.ZN75.001 — L — C



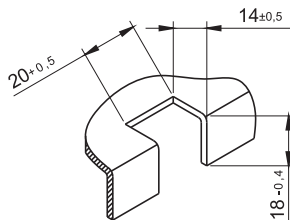
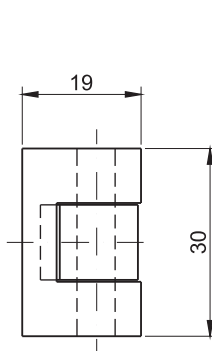
# Hinge 3.ZN90, 3.ZN100



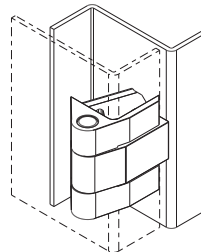
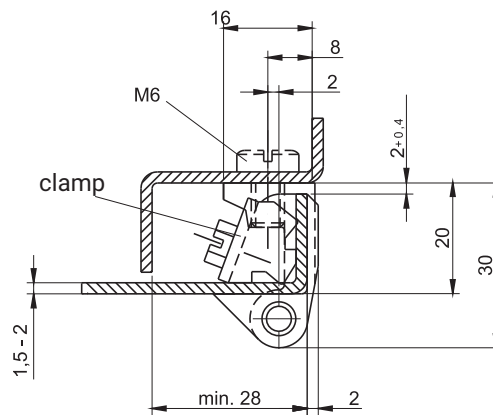
Mounting hole



CATALOGUE NUMBER	COMPONENTS	MATERIAL	FINISH [C]	
			RAL9005	RAL7035
<b>3.ZN90.001</b>	Holder, Base, Pin	Polyamide	07	08



Mounting hole



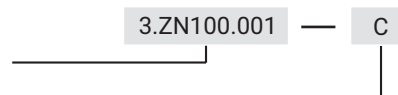
CATALOGUE NUMBER	COMPONENTS	MATERIAL	FINISH [C]	
			RAL9005	RAL7035
<b>3.ZN100.001</b>	Holder, Base	ZAMAK 5	04	05
	Close tight element, Pin	Steel zinc plated		

\* possibility to make a different color

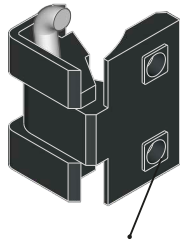
**How to order:**

Catalogue number

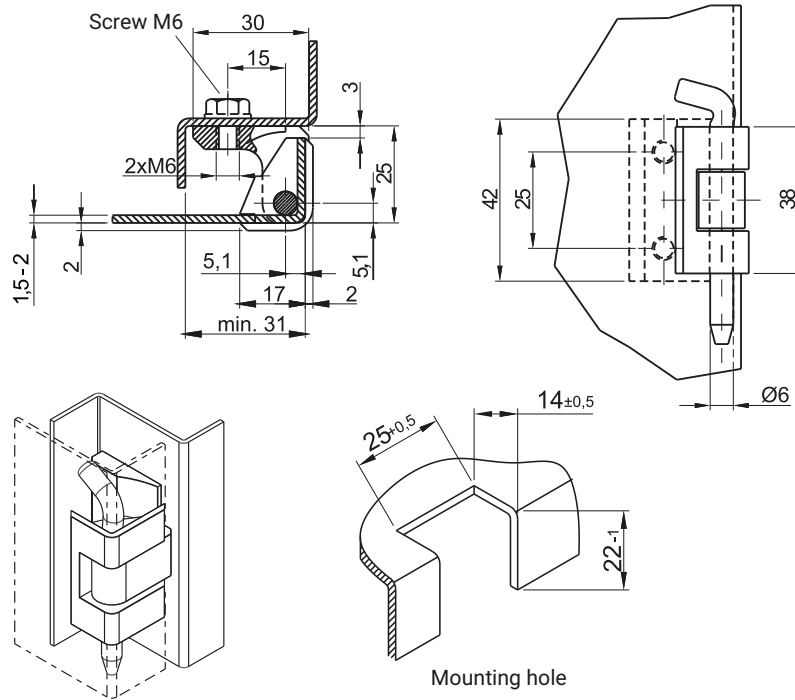
Finish



# Hinge 3.ZN80



\*\* - with weaning  $\square 8 \times 1$  mm



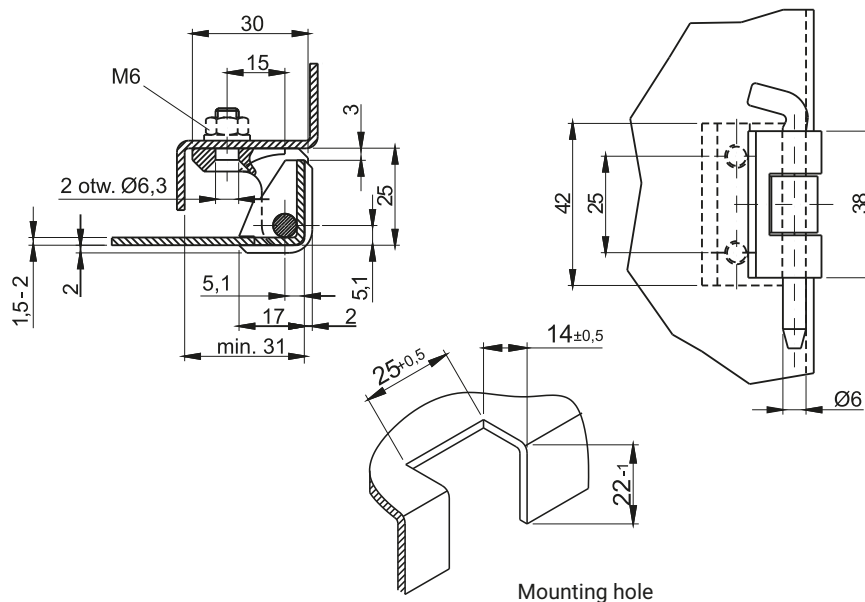
Mounting hole

Can be ordered without thread

\*\* possibility to order the hinge with the base with weaning

CATALOGUE NUMBER	COMPONENTS	MATERIAL	FINISH [C]	
			RAL9005	RAL7035
3.ZN80.001	Holder, Base	ZAMAK 5	04	05
	Pin	Steel zinc plated		

\* possibility to make a different color



Mounting hole

CATALOGUE NUMBER	COMPONENTS	MATERIAL	FINISH [C]	
			RAL9005	RAL7035
3.ZN80.002	Holder, Base	ZAMAK 5	04	05
	Pin	Steel zinc plated		

\* possibility to make a different color

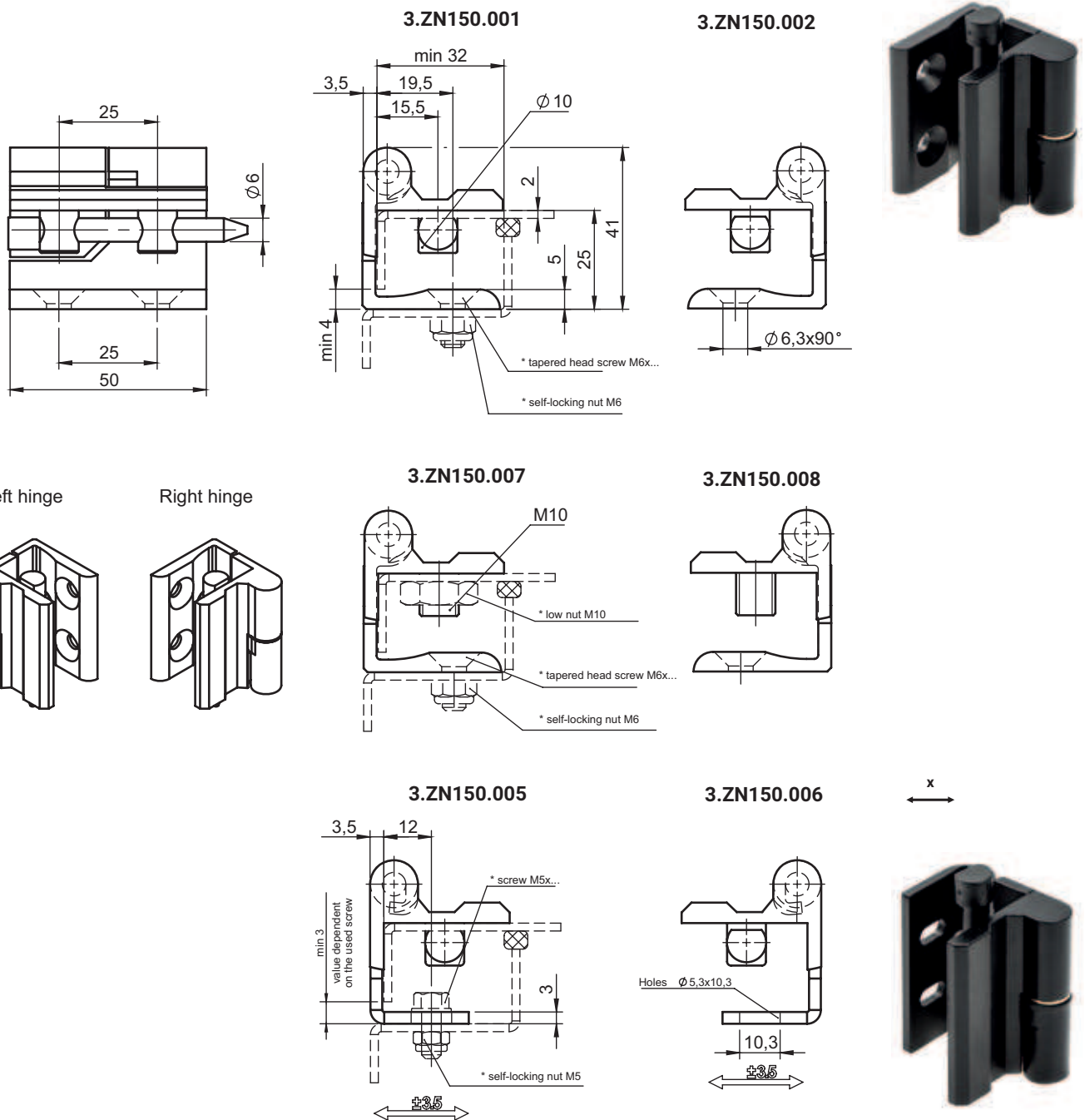
How to order:

Catalogue number

Finish

3.ZN80.001 — C

# Hinge 3.ZN150



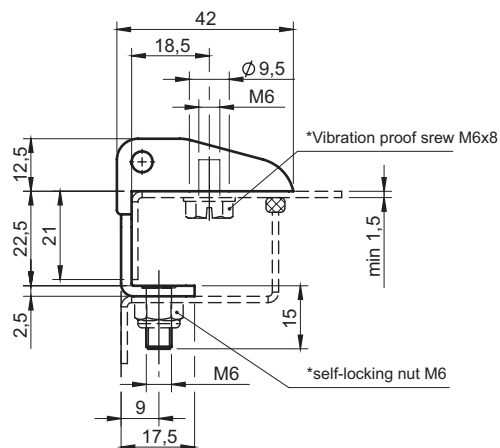
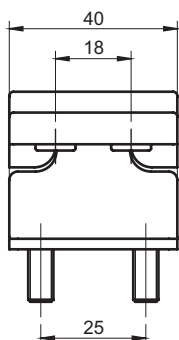
180° opening angle hinge with a lock to prevent the door from being removed from the cabinet when the door is closed and a door opening angle of less than ~60°  
 \* - not included, to be ordered separately

VERSION	CATALOGUE NUMBER	COMPONENTS	MATERIAL	FINISH [C]
Right	3.ZN150.001 3.ZN150.007	Holder	ZAMAK 5	04
		Base	ZAMAK 5	
Left	3.ZN150.002 3.ZN150.008	Screw	Poliamid	-
		Pin	Steel zinc plated	
Right	3.ZN150.005	Holder	ZAMAK 5	04
Base		Steel		
Left	3.ZN150.006	Screw	Poliamid	-
		Pin	Steel zinc plated	

# Hinge 3.ZN154

180°

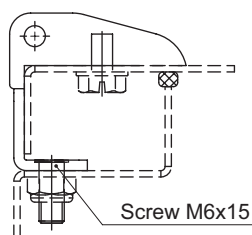
3.ZN154.001



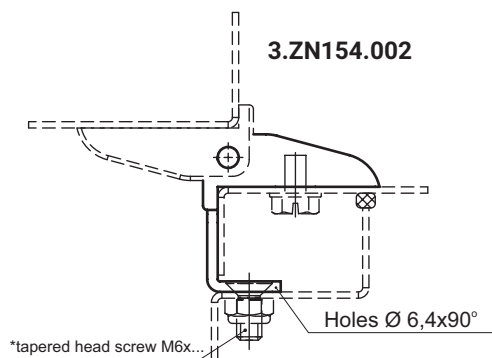
3.ZN154.002



3.ZN154.001



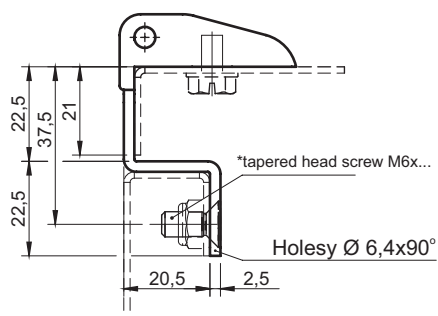
3.ZN154.002



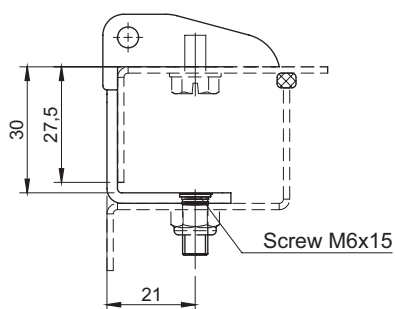
3.ZN154.003



3.ZN154.003



3.ZN154.010



3.ZN154.010



\*not included, to be ordered separately

CATALOGUE NUMBER	COMPONENTS	MATERIAL	FINISH [C]	
			RAL9005	RAL7035
3.ZN154.001	Holder	ZAMAK 5	04	05
3.ZN154.002	Base	Steel zinc plated		
3.ZN154.003	Pin	Stainless steel	-	-
3.ZN154.010				

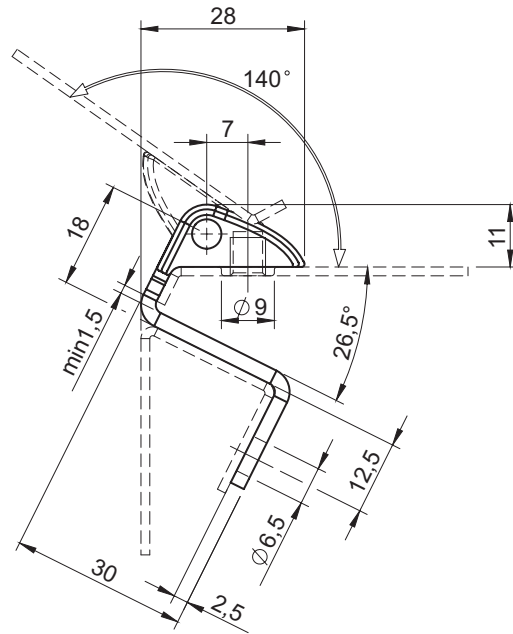
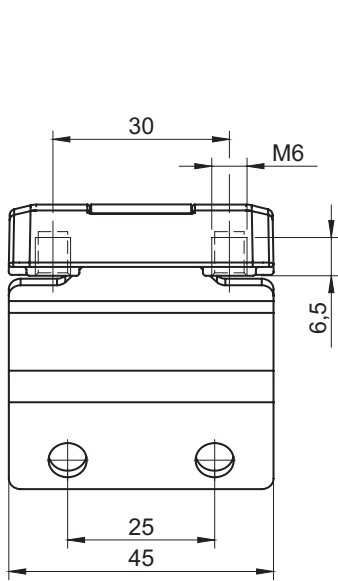
How to order:

Catalogue number

Finish

3.ZN154.001 — C

# Hinge 3.ZN157.001, 3.ZN154.009



NEW



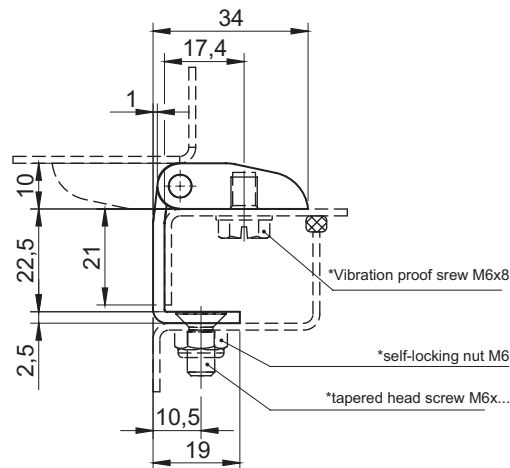
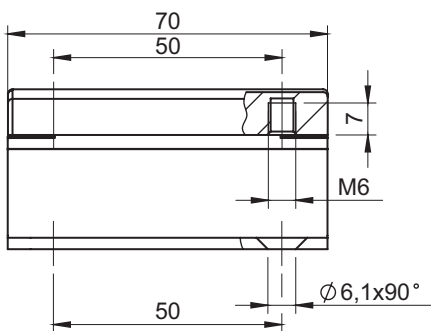
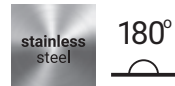
CATALOGUE NUMBER	COMPONENTS	MATERIAL
3.ZN157.001	Holder	ZAMAK
	Base	Steel zinc plated
	Pin	Stainless steel
FINISH [C]		
RAL9005		RAL7035
04		05

**How to order:**

Catalogue number

Finish [C]

3.ZN154.001 — 04



\* - not included, to be ordered separately

CATALOGUE NUMBER	COMPONENTS	MATERIAL	FINISH [C]	
			RAL9005	RAL7035
3.ZN154.009	Holder	ZAMAK 5	04	05
	Base	Steel	-	-
	Pin	Stainless steel	-	-

**How to order:**

Catalogue number

Finish [C]

3.ZN154.009 — 04





1

Locking systems

2

Locks  
Latches



Internal hinges

4

Clamps



5

Accessories



6

Gasketing profiles



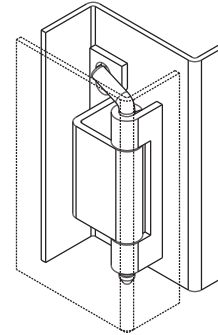
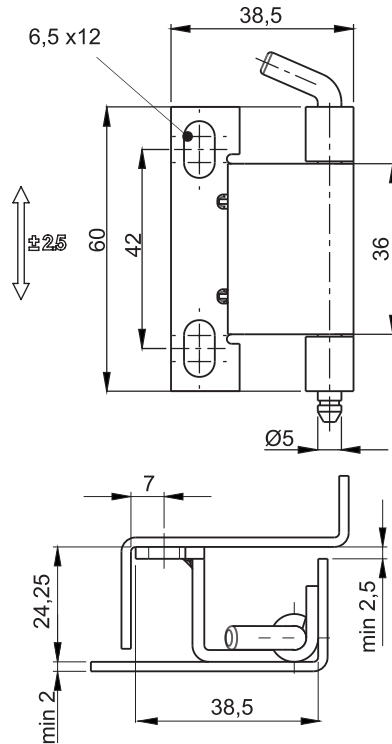
7

Custom products



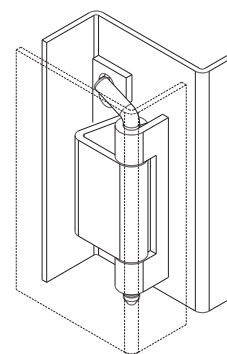
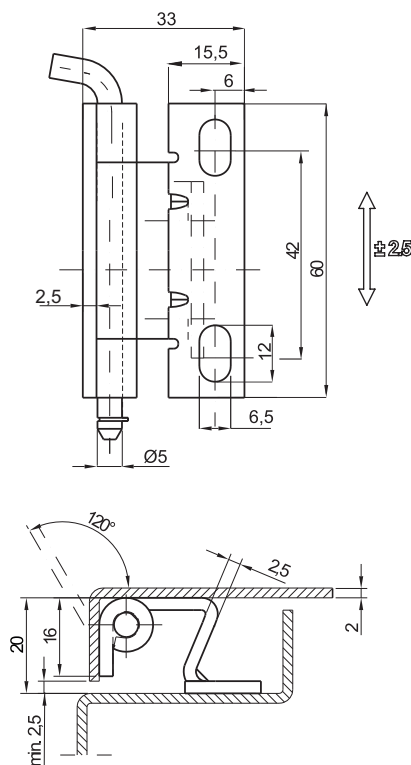
# Hinge 3.ST4-1, 3.ST4

stainless steel



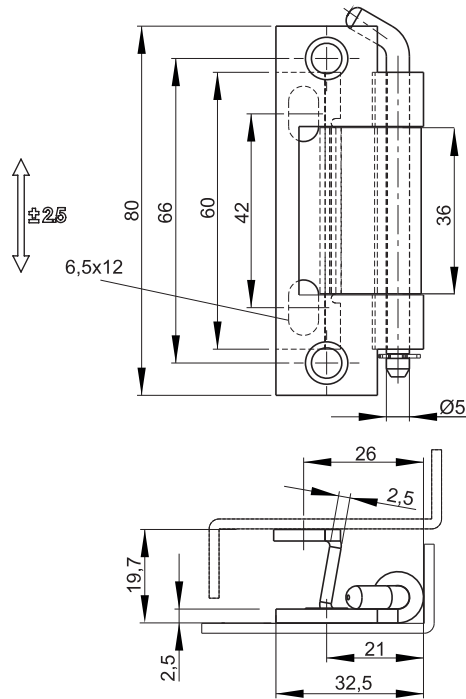
CATALOGUE NUMBER	COMPONENTS	MATERIAL
3.ST4-1.001	Base, Pin	Steel zinc plated
	Holder	Steel
3.ST4-1.001SN	Holder, Base, Pin	Stainless steel

stainless steel

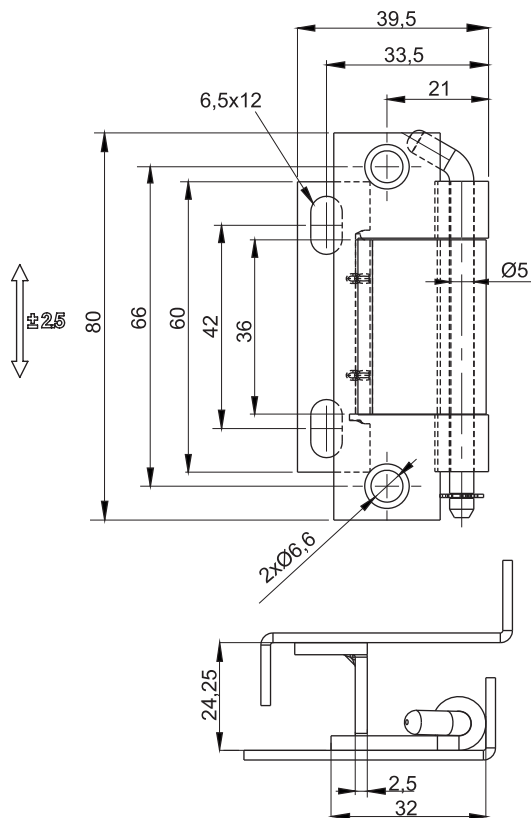


CATALOGUE NUMBER	COMPONENTS	MATERIAL
3.ST4.001	Base, Pin	Steel zinc plated
	Holder	Steel
3.ST4.001SN	Holder, Base, Pin	Stainless steel

# Hinge 3.ST4-2, 3.ST4-4



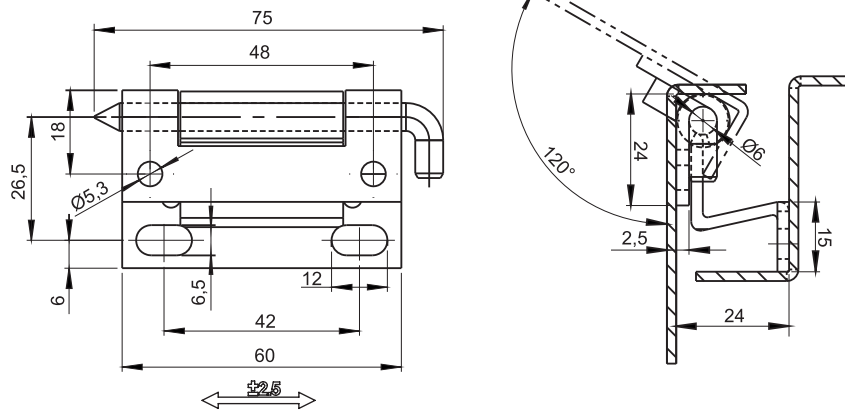
CATALOGUE NUMBER	COMPONENTS	MATERIAL
3.ST4-2.001	Holder, Base, Pin	Steel zinc plated
3.ST4-2.001SN	Holder, Base, Pin	Stainless steel



CATALOGUE NUMBER	COMPONENTS	MATERIAL
3.ST4-4.001	Holder, Base, Pin	Steel zinc plated
3.ST4-4.001SN	Holder, Base, Pin	Stainless steel

# Hinge 3.ST27, 3.ST27-1, 3.ST54

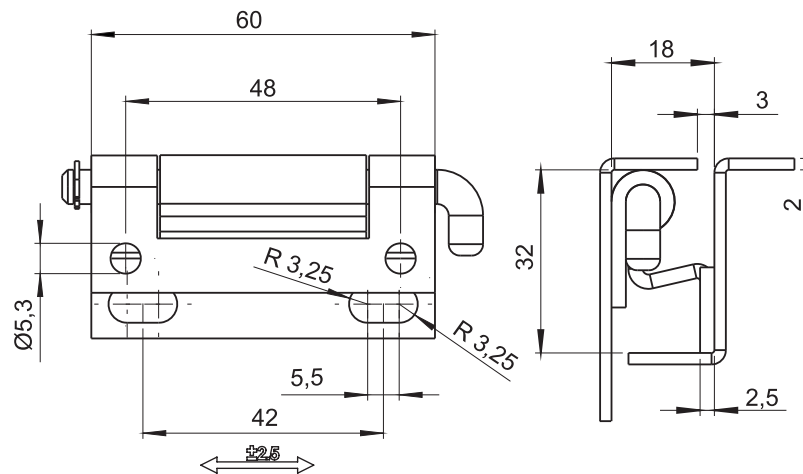
stainless steel



CATALOGUE NUMBER	COMPONENTS	MATERIAL
------------------	------------	----------

3.ST27.001	Holder, Base, Pin	Steel zinc plated
3.ST27.001SN	Holder, Base, Pin	Stainless steel

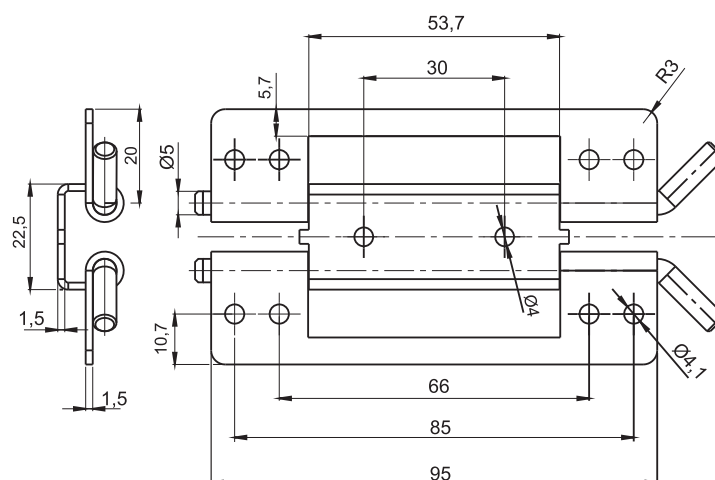
stainless steel



CATALOGUE NUMBER	COMPONENTS	MATERIAL
------------------	------------	----------

3.ST27-1.001	Holder, Base, Pin	Steel zinc plated
3.ST27-1.001SN	Holder, Base, Pin	Stainless steel

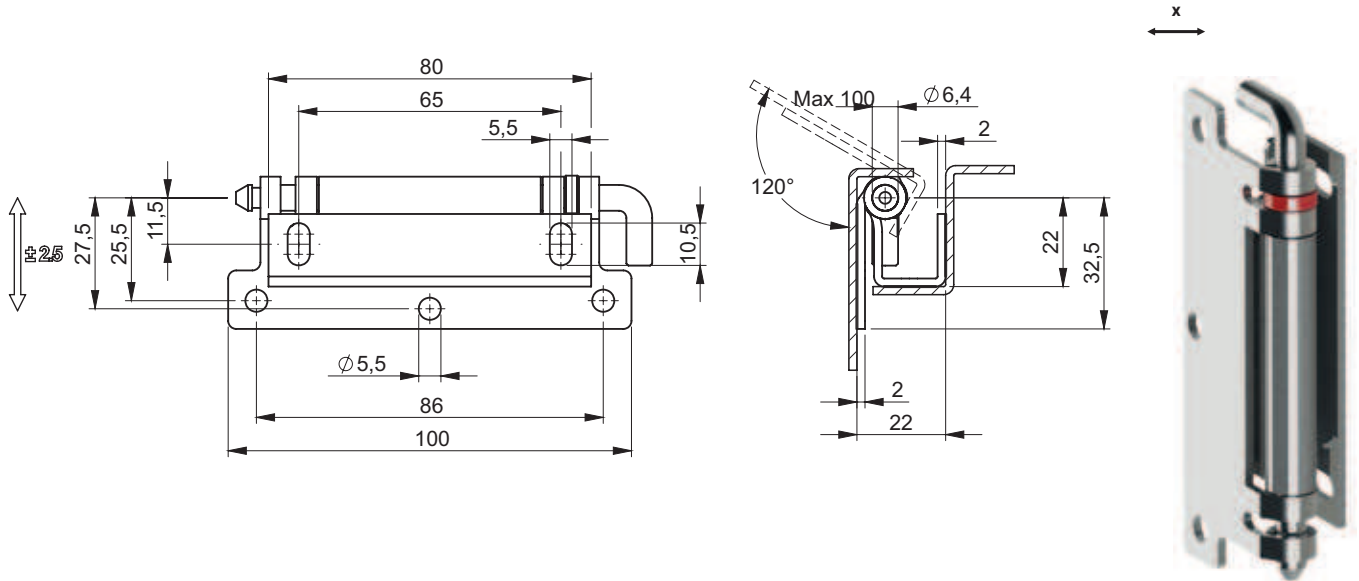
stainless steel



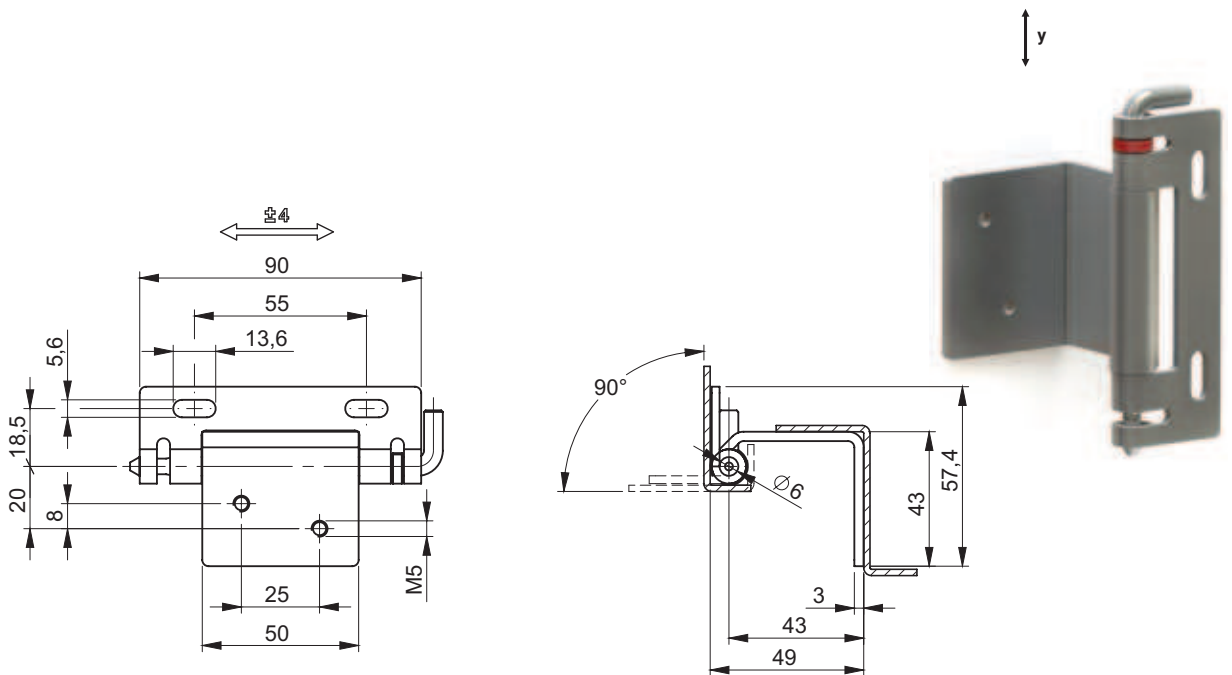
CATALOGUE NUMBER	COMPONENTS	MATERIAL
------------------	------------	----------

3.ST54.001	Holder, Base, Pin	Steel zinc plated
3.ST54.001SN	Holder, Base, Pin	Stainless steel

# Hinge 3.ST115



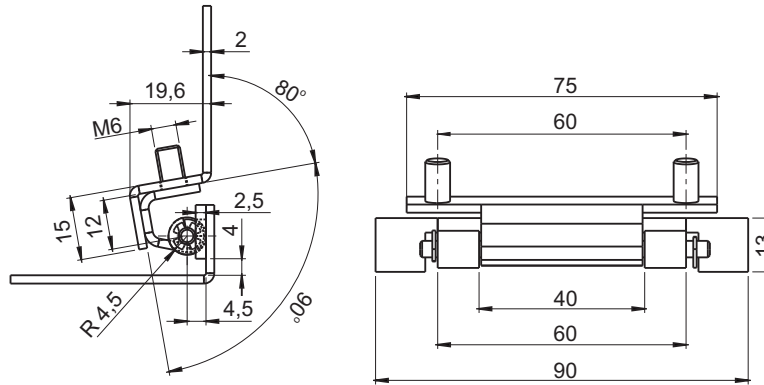
CATALOGUE NO.	COMPONENTS	MATERIAL
3.ST115.001	Holder, Base, Pin	Steel zinc plated
	Blockade	POM
3.ST115.001SN	Holder, Base, Pin	Stainless steel
	Blockade	POM



CATALOGUE NO.	COMPONENTS	MATERIAL
3.ST115.002	Holder, Base, Pin	Steel zinc plated
	Pin blockage	POM
3.ST115.002SN	Holder, Base, Pin	Stainless steel

# Hinge 3.ST47, 3.ST13

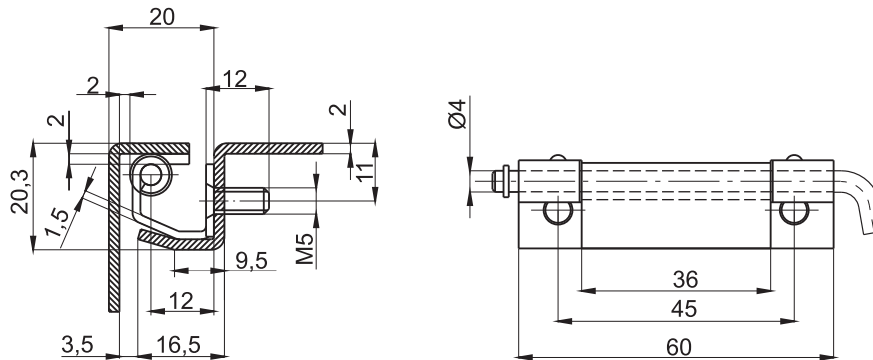
stainless steel



CATALOGUE NUMBER	COMPONENTS	MATERIAL
------------------	------------	----------

3.ST47.001	Base, Pin	Steel zinc plated
	Holder	Steel
3.ST47.001SN	Holder, Base, Pin	Stainless steel

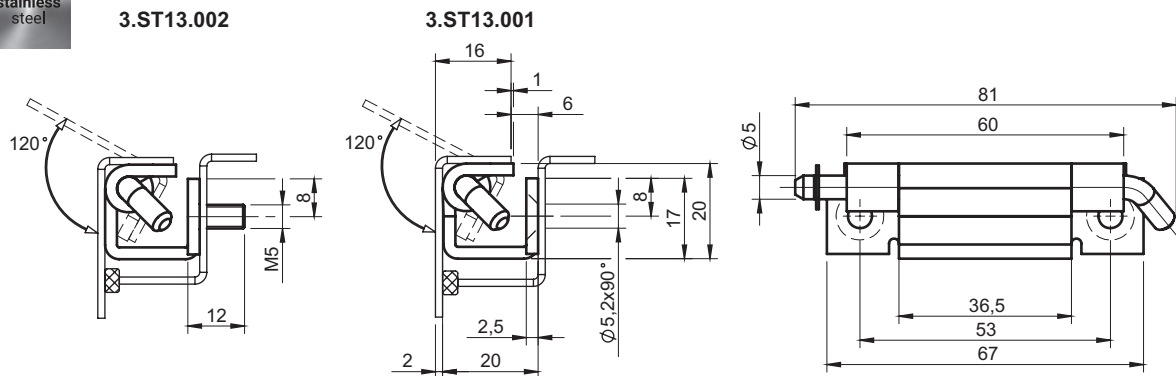
stainless steel



CATALOGUE NUMBER	COMPONENTS	MATERIAL
------------------	------------	----------

3.ST47.002	Base, Pin	Steel zinc plated
	Holder	Steel
3.ST47.002SN	Holder, Base, Pin	Stainless steel

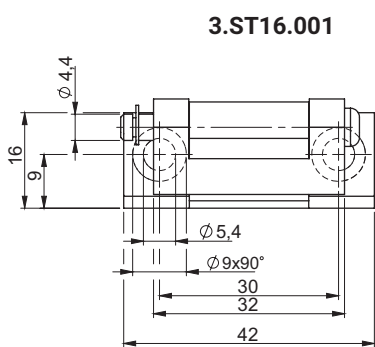
stainless steel



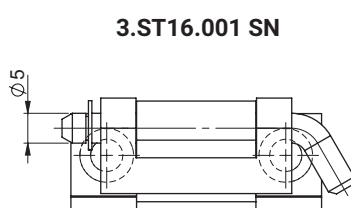
CATALOGUE NUMBER	COMPONENTS	MATERIAL
------------------	------------	----------

3.ST13.001	Base, Pin	Steel zinc plated
3.ST13.002	Holder	Steel
3.ST13.001SN	Holder, Base, Pin	Stainless steel
3.ST13.002SN		

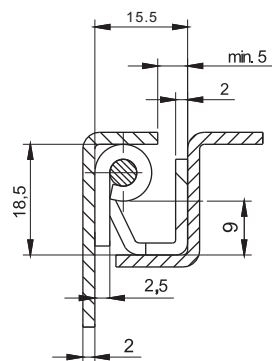
# Hinge 3.ST16



**3.ST16.001**



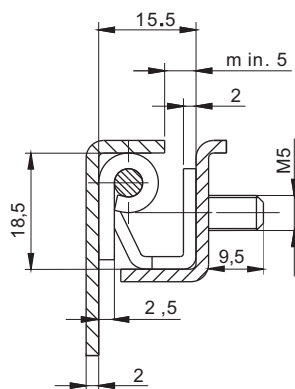
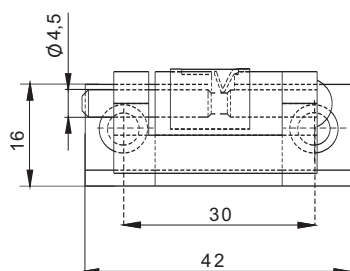
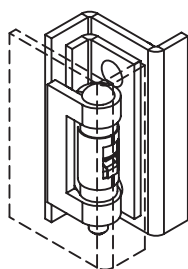
**3.ST16.001 SN**



stainless steel



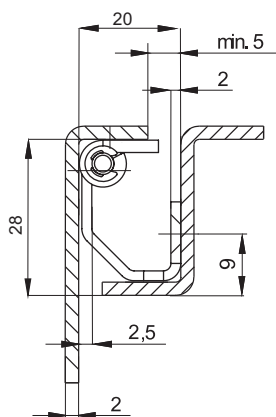
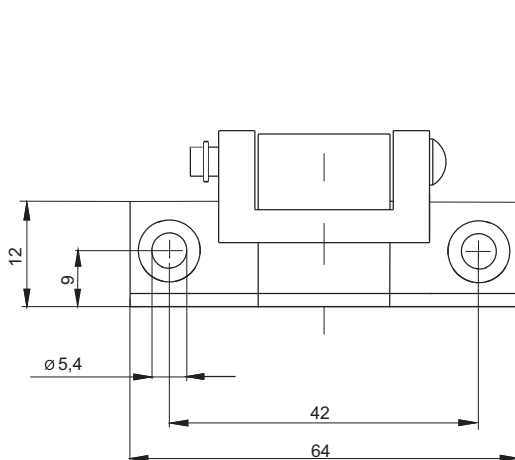
CATALOGUE NUMBER	COMPONENTS	MATERIAL
<b>3.ST16.001</b>	Base, Pin	Steel zinc plated
	Holder	Steel
<b>3.ST16.001SN</b>	Holder, Base, Pin	Stainless steel



stainless steel



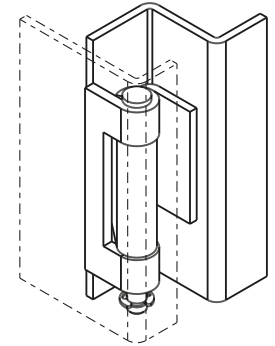
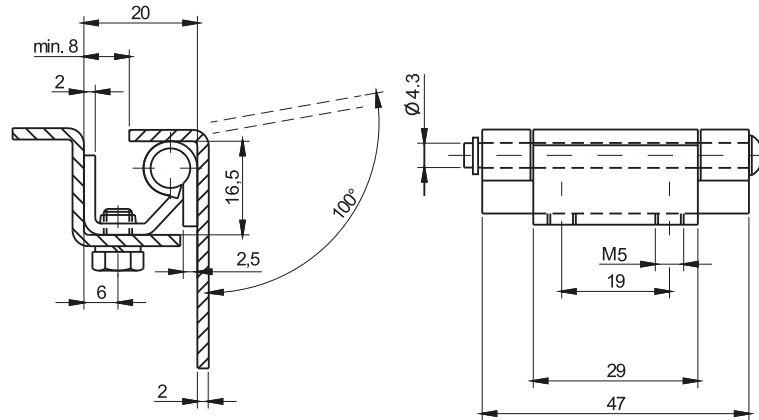
CATALOGUE NUMBER	COMPONENTS	MATERIAL
<b>3.ST16.004</b>	Holder	Steel
	Base, Pin	Steel zinc plated
	Spring	Stainless steel



CATALOGUE NUMBER	COMPONENTS	MATERIAL
<b>3.ST16.006</b>	Base, Pin	Steel zinc plated
	Holder	Steel

# Hinge 3.ST5, 3.ST6

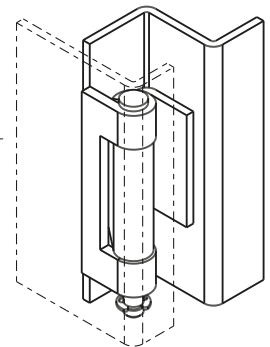
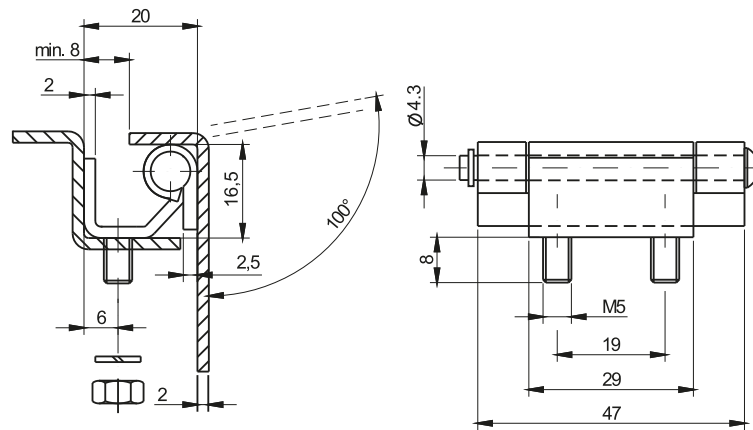
stainless steel



CATALOGUE NUMBER	COMPONENTS	MATERIAL
------------------	------------	----------

3.ST5.001	Base, Pin	Steel zinc plated
	Holder	Steel
3.ST5.001SN	Holder, Base, Pin	Stainless steel

stainless steel



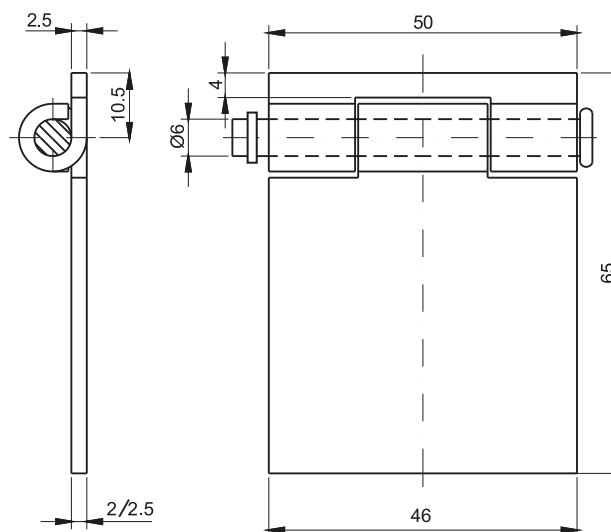
CATALOGUE NUMBER	COMPONENTS	MATERIAL
------------------	------------	----------

3.ST5.003	Base, Pin	Steel zinc plated
	Holder	Steel
3.ST5.003SN	Holder, Base, Pin	Stainless steel

stainless steel



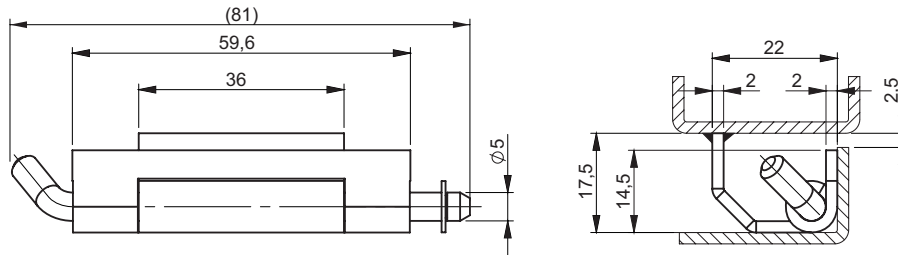
Thickness [mm]	X
1,5	01
2	02
2,5	03



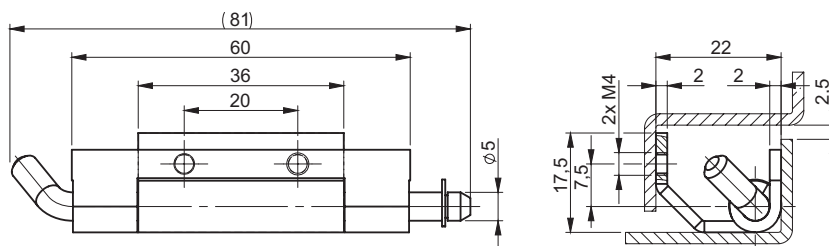
CATALOGUE NUMBER	COMPONENTS	MATERIAL
------------------	------------	----------

3.ST6.001.X	Holder, Base	Steel
	Pin	Steel zinc plated
3.ST6.001SN.X	Holder, Base, Pin	Stainless steel

stainless steel

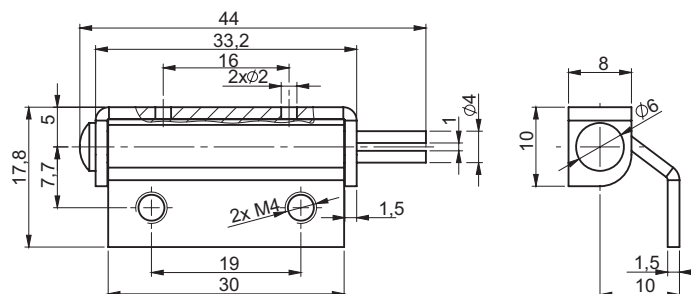


CATALOGUE NUMBER	COMPONENTS	MATERIAL
3.ST43.001	Holder	Steel
	Pin, Base	Steel
3.ST43.001SN	Holder, Base, Pin	Stainless steel



CATALOGUE NUMBER	COMPONENTS	MATERIAL
3.ST43.002	Holder	Steel
	Pin, Base	Steel zinc plated
3.ST43.002SN	Holder, Base, Pin	Stainless steel

stainless steel

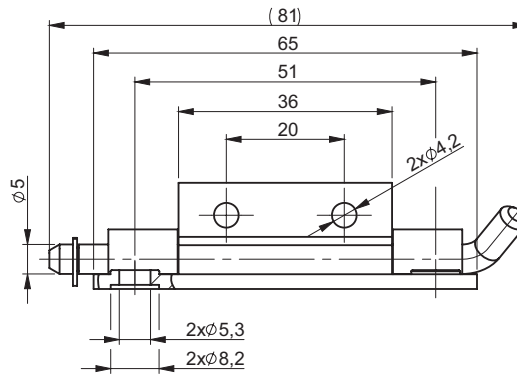
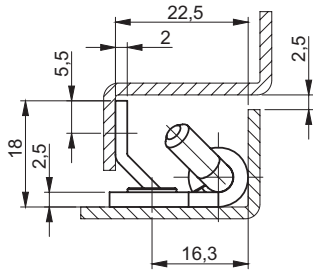


CATALOGUE NUMBER	COMPONENTS	MATERIAL
3.ST43-2.001	Holder, Base, Pin	Steel zinc plated
3.ST43-2.001SN	Holder, Base, Pin	Stainless steel



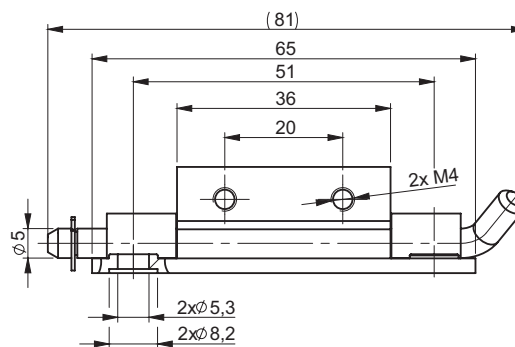
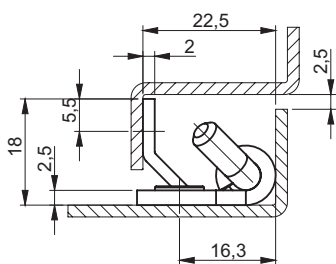
# Hinge 3.ST43

stainless steel



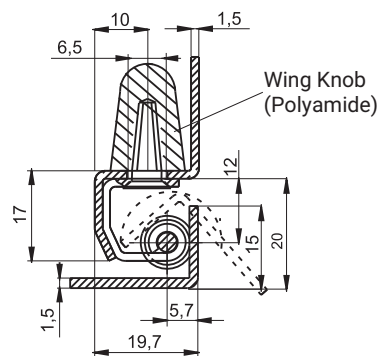
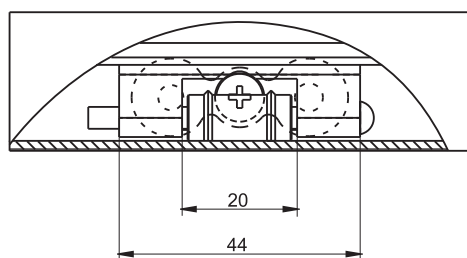
CATALOGUE NUMBER	COMPONENTS	MATERIAL
<b>3.ST43.003</b>	Holder, Pin	Steel zinc plated
	Base	Steel zinc plated
<b>3.ST43.003SN</b>	Holder, Base, Pin	Stainless steel

stainless steel



CATALOGUE NUMBER	COMPONENTS	MATERIAL
<b>3.ST43.004*</b>	Holder, Pin	Steel zinc plated
	Base	Steel zinc plated
<b>3.ST43.004SN</b>	Holder, Base, Pin	Stainless steel

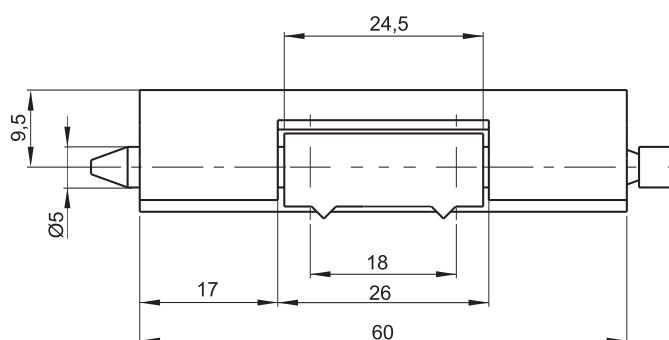
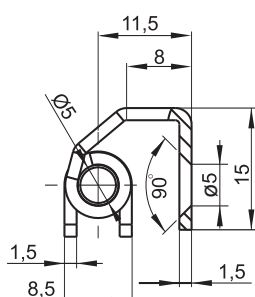
\* - possibility to order the hinge version without cover



stainless steel



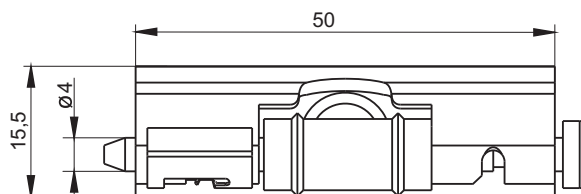
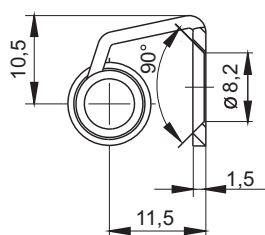
CATALOGUE NUMBER	COMPONENTS	MATERIAL
<b>3.ST32.001</b>	Base, Pin	Steel zinc plated
	Holder	Steel
<b>3.ST32.001SN</b>	Holder, Base, Pin	Stainless steel



stainless steel



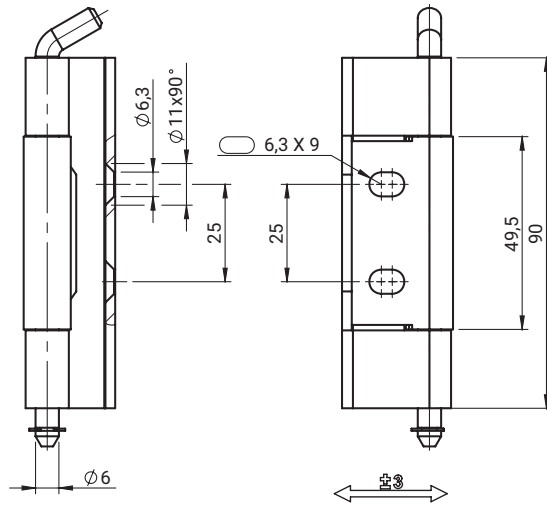
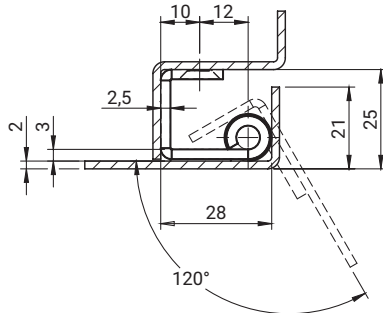
CATALOGUE NUMBER	COMPONENTS	MATERIAL
<b>3.ST32.003</b>	Base, Pin	Steel zinc plated
	Holder	Steel
<b>3.ST32.003SN</b>	Holder, Base, Pin	Stainless steel



CATALOGUE NUMBER	COMPONENTS	MATERIAL
<b>3.ST32.005</b>	Base, Pin	Steel zinc plated
	Holder	Steel

# Hinge 3.ST12, 3.ST12-2

stainless steel  $\longleftrightarrow$  x



## CATALOGUE NUMBER

**3.ST12.001**

## COMPONENTS

Holder, Base, Pin

## MATERIAL

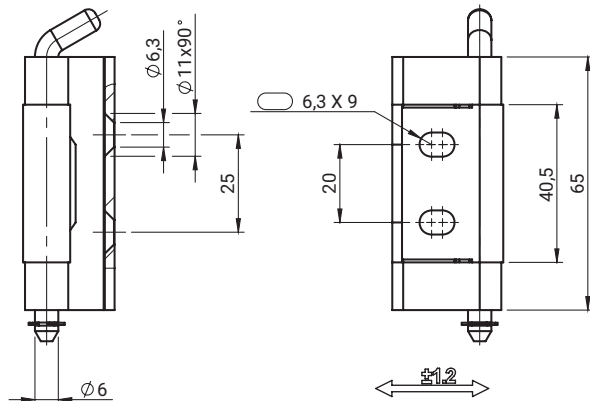
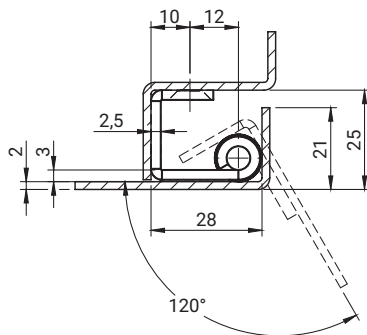
Steel zinc plated

**3.ST12.001SN**

Holder, Base, Pin

Stainless steel

stainless steel  $\longleftrightarrow$  x



## CATALOGUE NUMBER

**3.ST12-2.001**

## COMPONENTS

Holder, Base, Pin

## MATERIAL

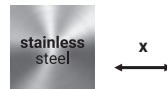
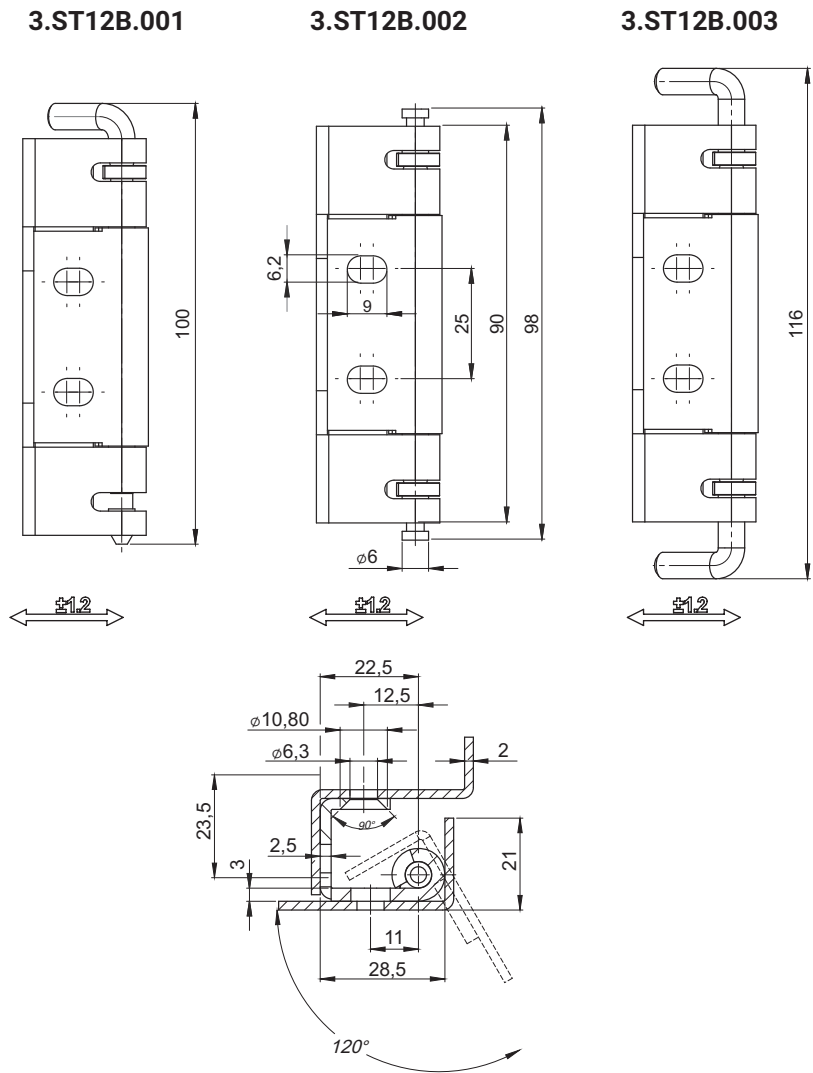
Steel zinc plated

**3.ST12-2.001SN**

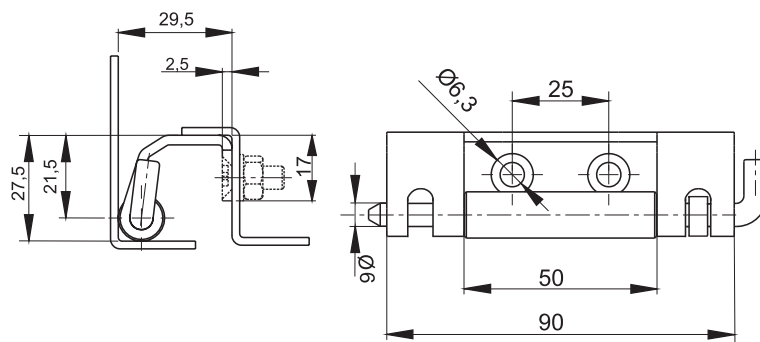
Holder, Base, Pin

Stainless steel

# Hinge 3.ST12B, 3.ST12-1B



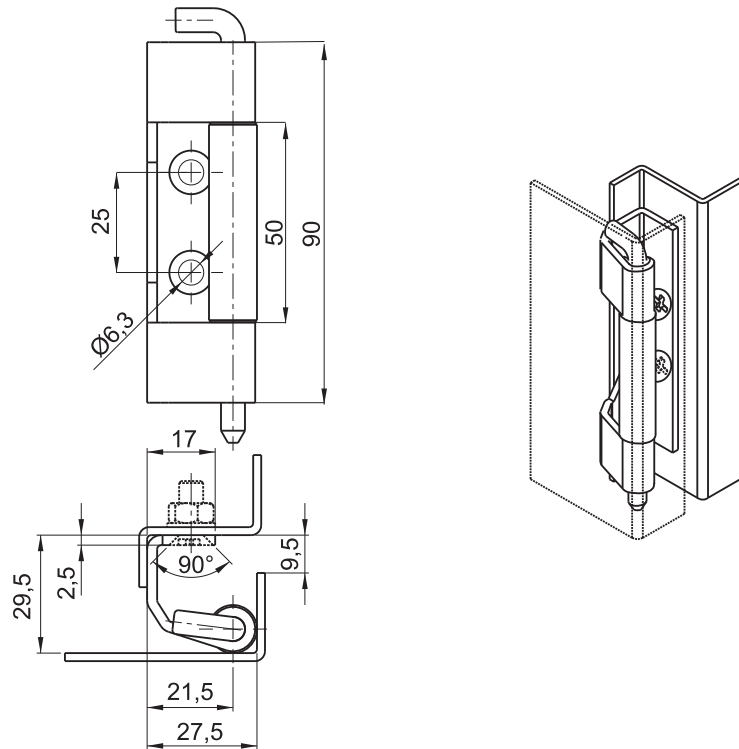
CATALOGUE NO.	COMPONENTS	MATERIAL
3.ST12B.001	Holder, Base, Pin	Steel zinc plated
3.ST12B.002		
3.ST12B.003		
3.ST12B.001SN	Holder, Base, Pin	Stainless steel
3.ST12B.002SN		
3.ST12B.003SN		
	Blockade	POM
	Blockade	POM



CATALOGUE NUMBER	COMPONENTS	MATERIAL
3.ST12-1B.001	Holder, Base, Pin	Steel zinc plated
	Blocade	POM
3.ST12-1B.001SN	Holder, Base, Pin	Stainless steel

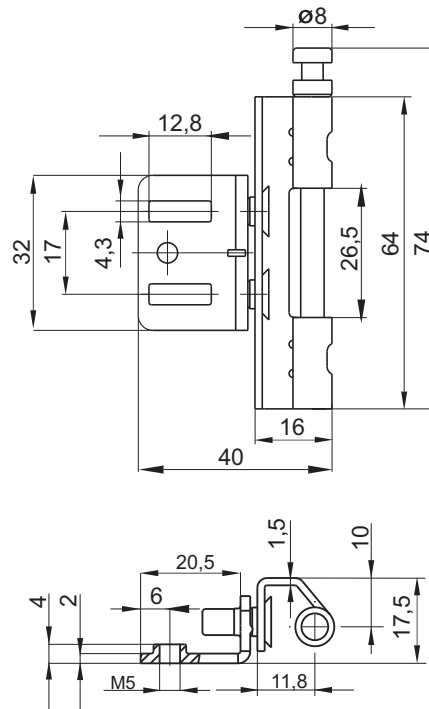
# Hinge 3.ST12-1, 3.ST76

stainless steel

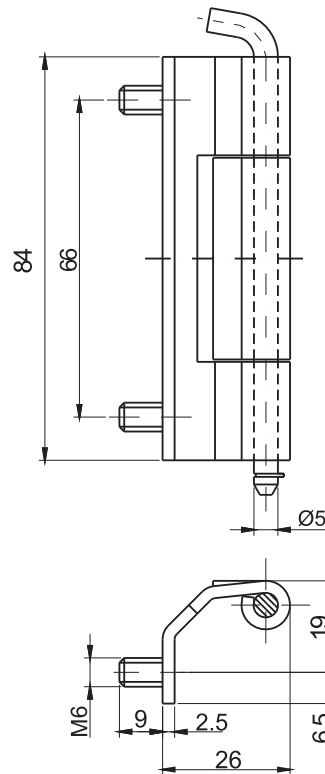


CATALOGUE NUMBER	COMPONENTS	MATERIAL
3.ST12-1.001	Base, Pin	Steel zinc plated
	Holder	Steel
3.ST12-1.001SN	Holder, Base, Pin	Stainless steel

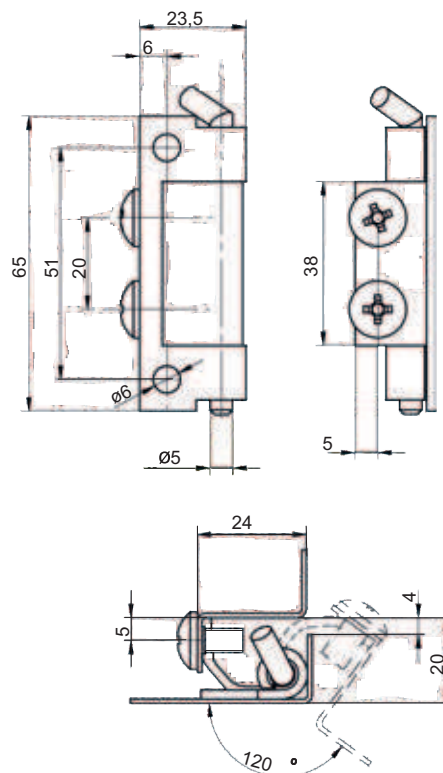
stainless steel



CATALOGUE NUMBER	COMPONENTS	MATERIAL
3.ST76.001	Holder, Base, Pin	Steel zinc plated
	Holder, Base, Pin	Stainless steel
3.ST76.001SN	Holder, Base, Pin	Stainless steel

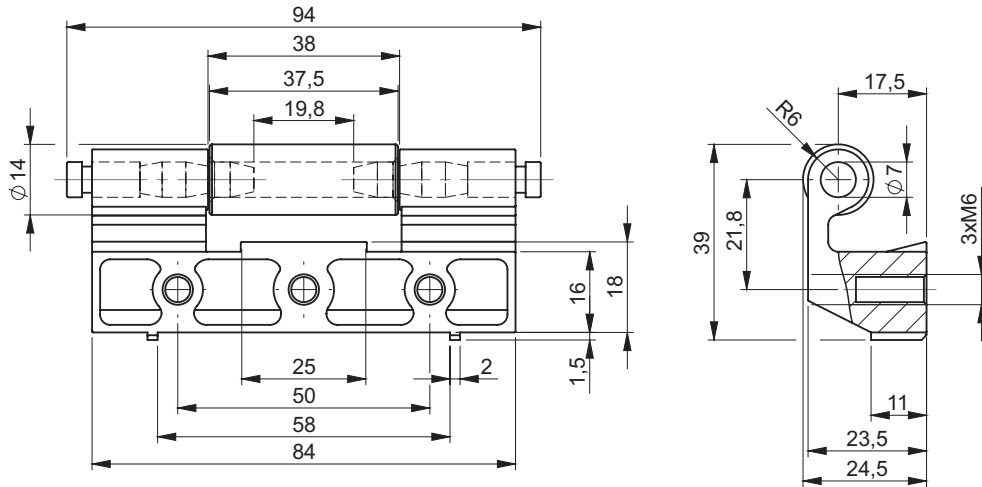


CATALOGUE NUMBER	COMPONENTS	MATERIAL
3.ST19-2.001	Base, Pin	Steel zinc plated
	Holder	Steel
3.ST19-2.001SN	Holder, Base, Pin	Stainless steel

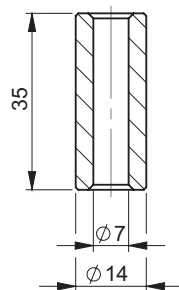
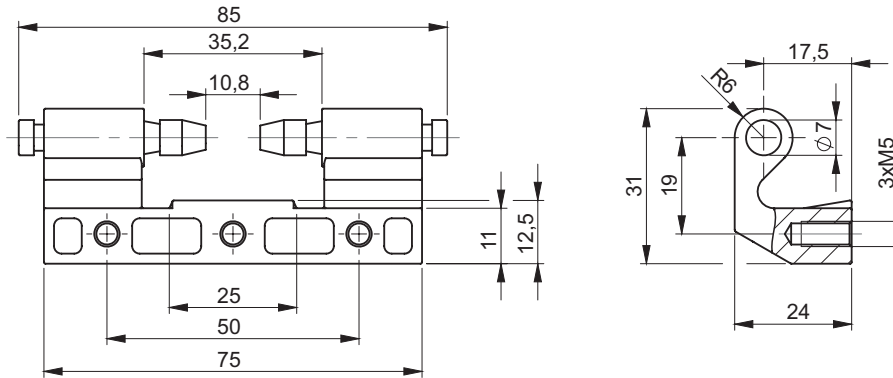


CATALOGUE NUMBER	COMPONENTS	MATERIAL
3.537.001	Holder, Base, Pin	Steel zinc plated
3.537.001SN	Holder, Base, Pin	Stainless steel

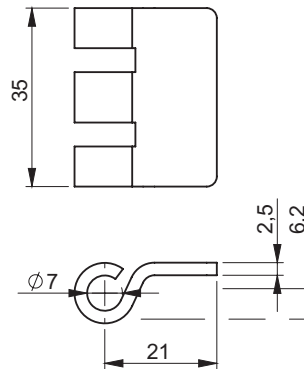
# Hinge 3.ST556, 3.ST557



CATALOGUE NUMBER	COMPONENTS	MATERIAL	FINISH [C] RAL 9005
3.ST556.001	Holder	ZAMAK 5	04
	Base, Pin	Steel zinc plated	

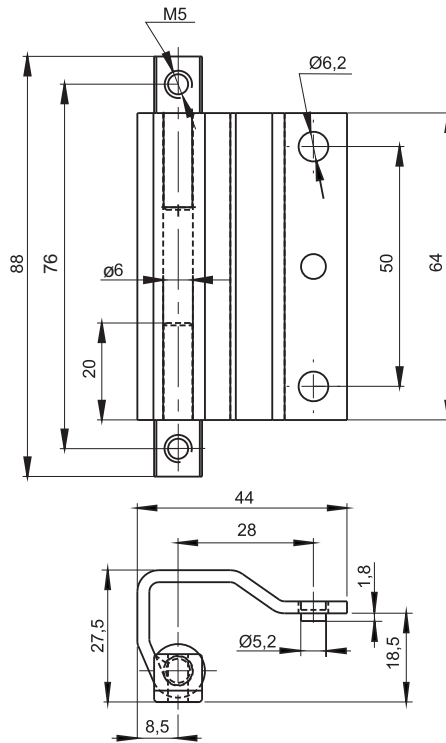


3.ST557.001



3.ST557.002

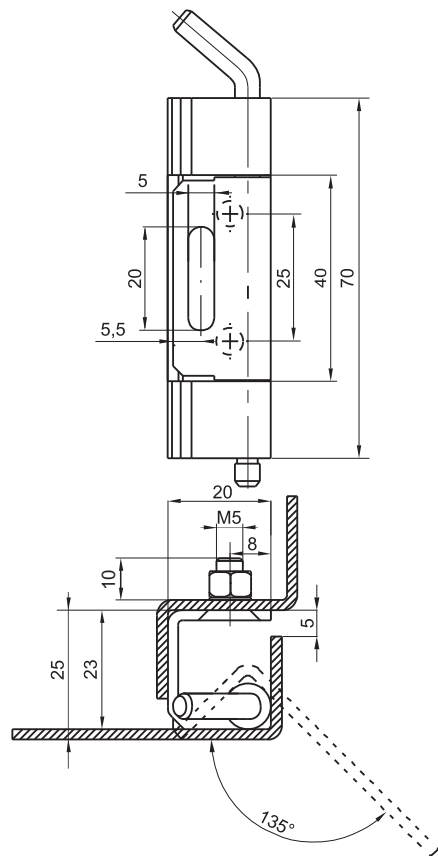
CATALOGUE NUMBER	DETAIL	COMPONENTS	MATERIAL	FINISH [C] RAL 9005
3.ST557.001	ver. with a bushing	Base	ZAMAK 5	04
3.ST557.002	ver. with a sheet metal	Holder, Pin	Steel zinc plated	



stainless steel



CATALOGUE NUMBER	COMPONENTS	MATERIAL
3.ST40.001	Holder, Base, Pin	Steel zinc plated
3.ST40.001SN	Holder, Base, Pin	Sainless steel



stainless steel

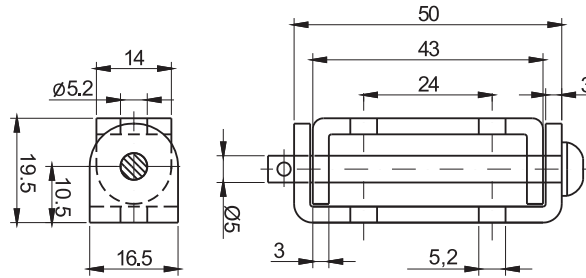


CATALOGUE NUMBER	COMPONENTS	MATERIAL
3.ST41.001	Base, Pin	Steel zinc plated
	Holder	Steel
3.ST41.001SN	Holder, Base, Pin	Sainless steel





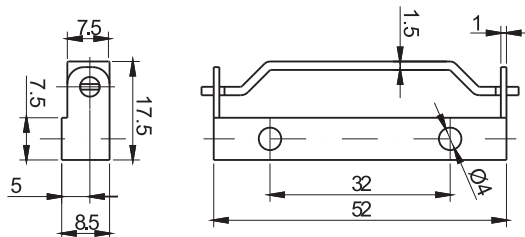
stainless steel



CATALOGUE NUMBER	COMPONENTS	MATERIAL
3.ST10.001	Holder, Base, Pin	Steel zinc plated
3.ST10.001SN	Holder, Base, Pin	Stainless steel



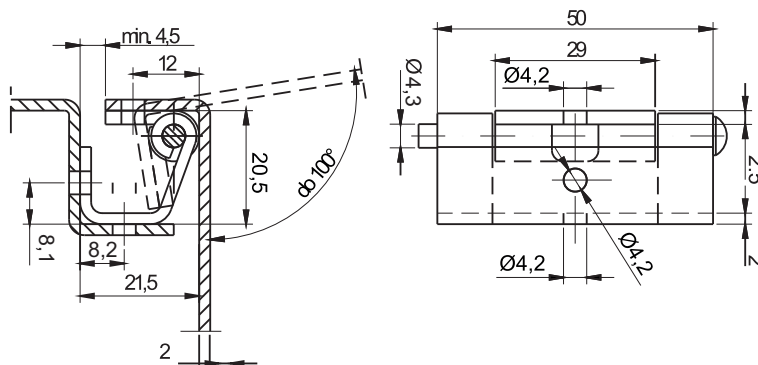
stainless steel



CATALOGUE NUMBER	COMPONENTS	MATERIAL
3.ST11.001	Base, Pin	Steel zinc plated
	Holder	Steel
3.ST11.001SN	Holder, Base, Pin	Sainless steel



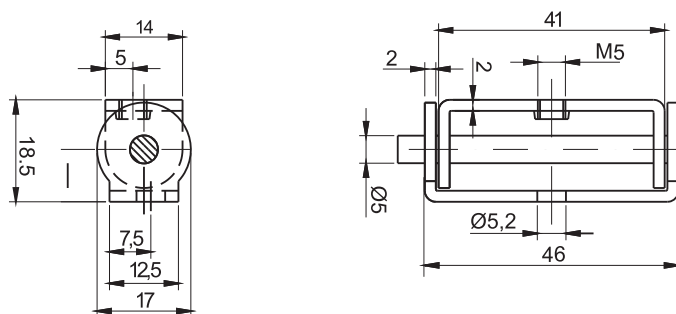
stainless steel



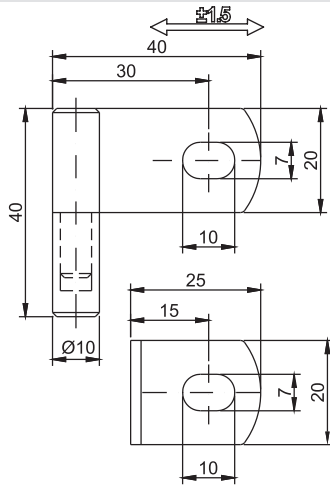
CATALOGUE NUMBER	COMPONENTS	MATERIAL
3.ST14.001	Holder, Base, Pin	Steel zinc plated
3.ST14.001SN	Holder, Base, Pin	Sainless steel



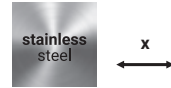
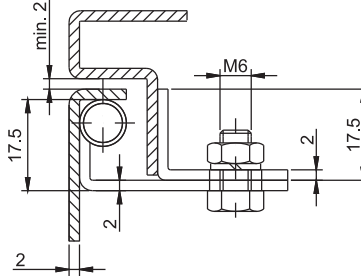
stainless steel



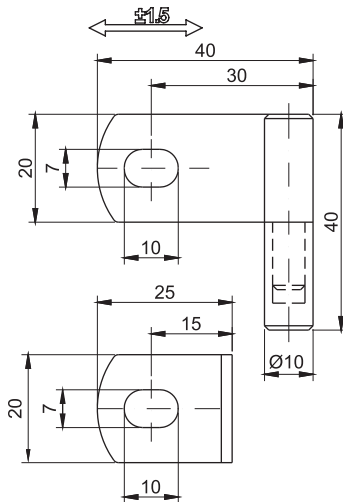
CATALOGUE NUMBER	COMPONENTS	MATERIAL
3.ST15.001	Holder, Base, Pin	Steel zinc plated
3.ST15.001SN	Holder, Base, Pin	Sainless steel



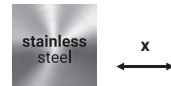
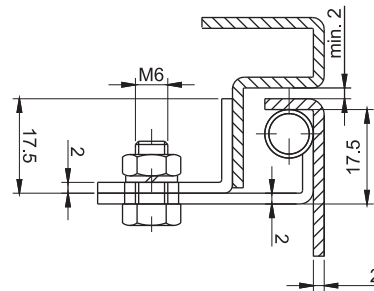
LEFT VERSION



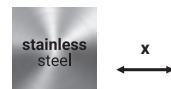
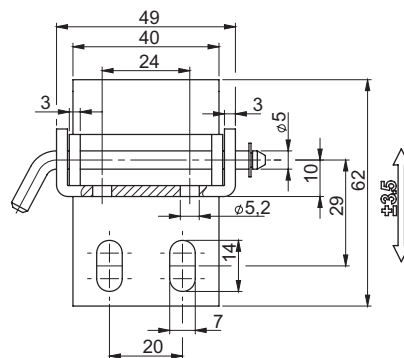
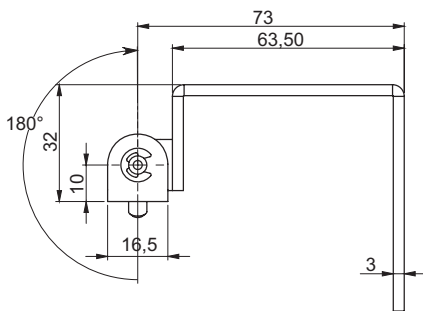
CATALOGUE NUMBER	COMPONENTS	MATERIAL
<b>3.ST8.001</b>	Fixed holder (screws)	Steel zinc plated
	Welded base	Steel
<b>3.ST8.001SN</b>	Holder, Base	Sainless steel



RIGHT VERSION



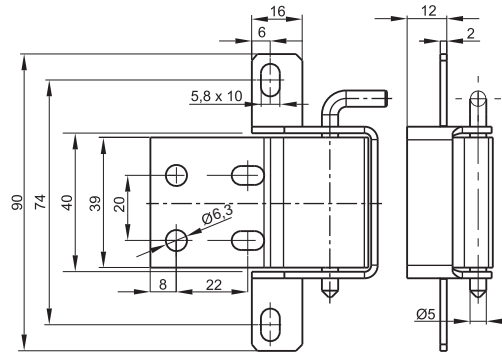
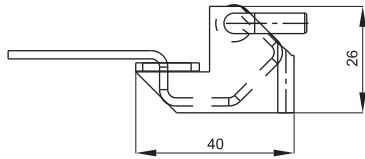
CATALOGUE NUMBER	COMPONENTS	MATERIAL
<b>3.ST8.002</b>	Fixed holder (screws)	Steel zinc plated
	Welded base	Steel
<b>3.ST8.002SN</b>	Holder, Base	Sainless steel



CATALOGUE NUMBER	COMPONENTS	MATERIAL
<b>3.ST9.001</b>	Holder, Base, Pin	Steel zinc plated
<b>3.ST9.001SN</b>	Holder, Base, Pin	Sainless steel

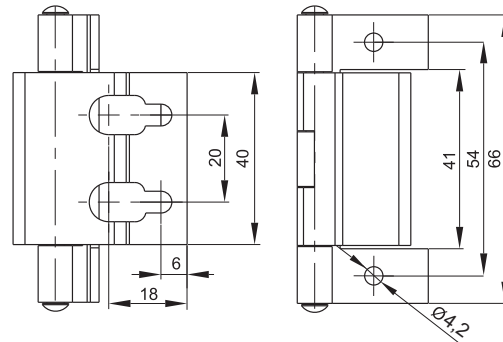
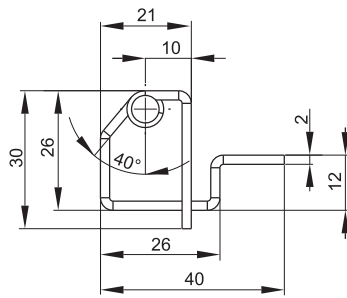
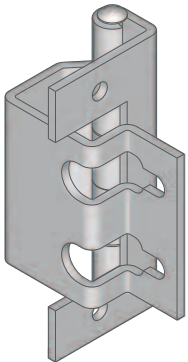
# Hinge 3.ST31, 3.ST33, 3.ST34

stainless steel



CATALOGUE NUMBER	COMPONENTS	MATERIAL
3.ST31.001	Holder, Base, Pin	Steel zinc plated
3.ST31.001SN	Holder, Base, Pin	Stainless steel

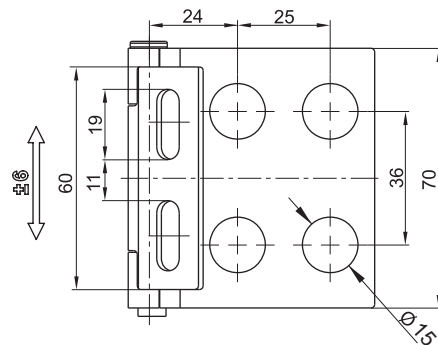
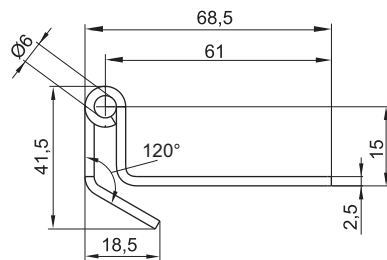
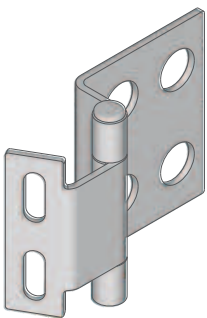
stainless steel



CATALOGUE NUMBER	COMPONENTS	MATERIAL
3.ST33.001	Holder, Base, Pin	Steel zinc plated
3.ST33.001SN	Holder, Base, Pin	Sainless steel

stainless steel

y



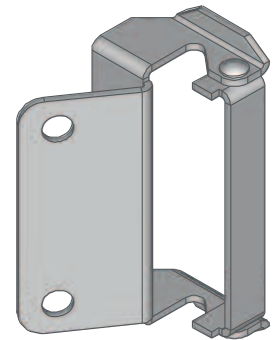
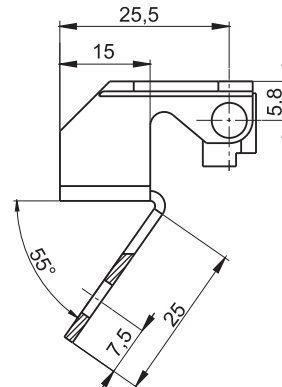
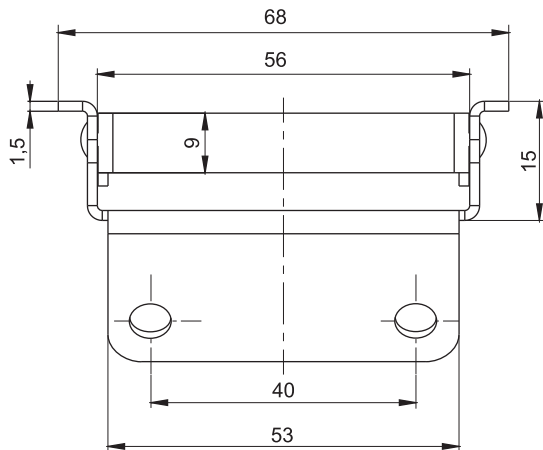
CATALOGUE NUMBER	COMPONENTS	MATERIAL
3.ST34.001	Holder, Base, Pin	Steel zinc plated
3.ST34.001SN	Holder, Base, Pin	Stainless steel

# Hinge 3.ST38, 3.ST39



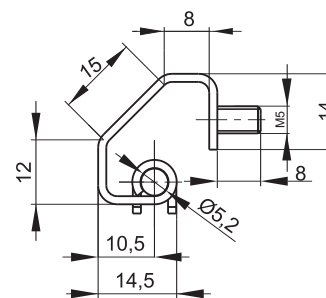
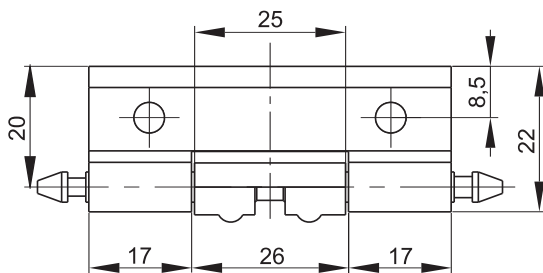
ROZTOCZE

stainless steel



CATALOGUE NUMBER	COMPONENTS	MATERIAL
3.ST38.001	Holder, Base, Pin	Steel zinc plated
3.ST38.001SN	Holder, Base, Pin	Stainless steel

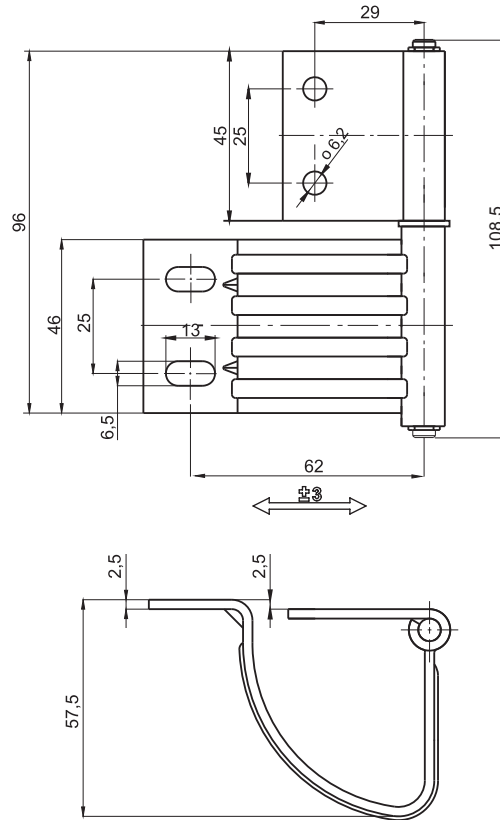
stainless steel



CATALOGUE NUMBER	COMPONENTS	MATERIAL
3.ST39.001	Base, Pin	Steel zinc plated
	Holder	Steel
3.ST39.001SN	Holder, Base, Pin	Stainless steel

# Hinge 3.ST95, 3.ST120

stainless steel

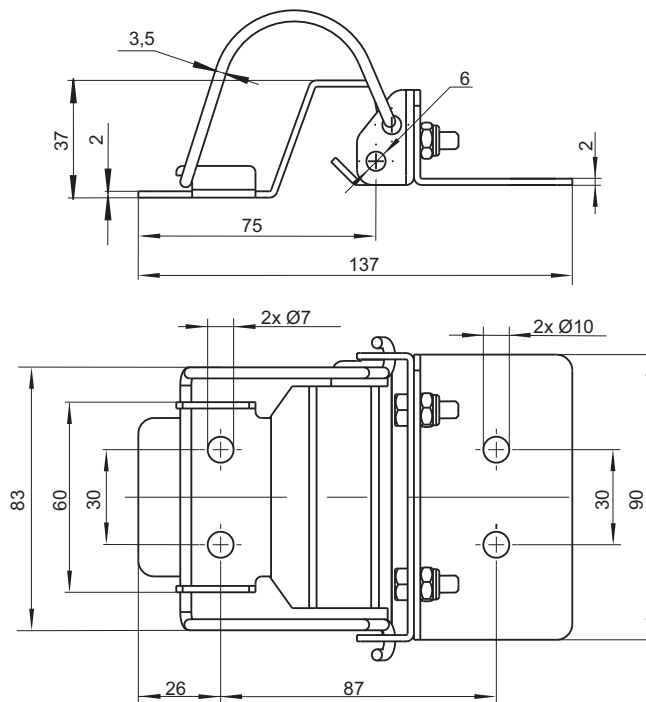
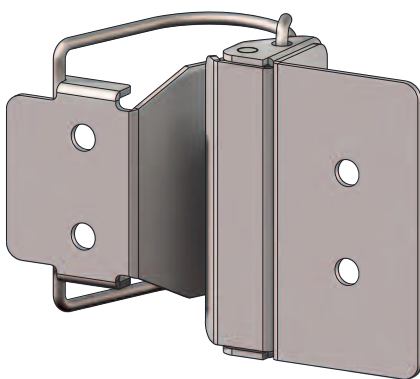


## CATALOGUE NUMBER

## COMPONENTS

## MATERIAL

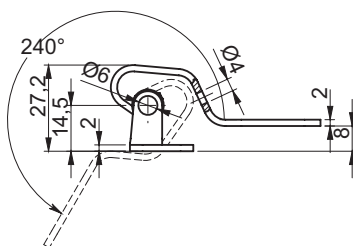
3.ST95.001	Holder, Base, Pin	Steel zinc plated
3.ST95.002SN	Holder, Base, Pin	Stainless steel



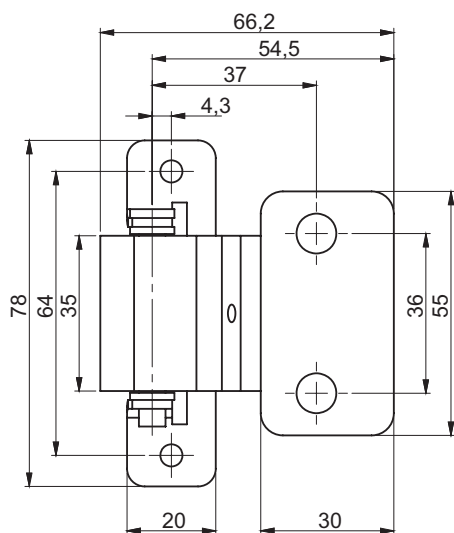
## CATALOGUE NUMBER

## MATERIAL

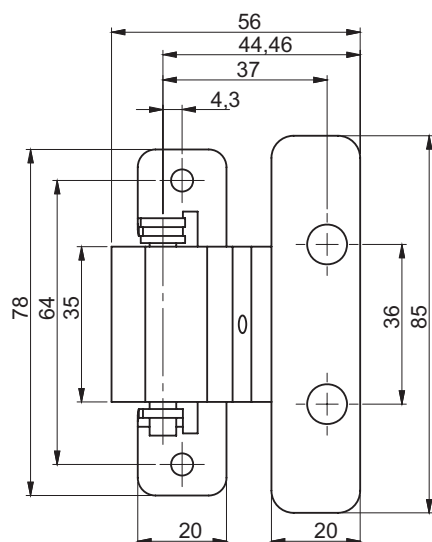
3.ST120.001SN	Stainless steel
---------------	-----------------



**3.ST118.001**



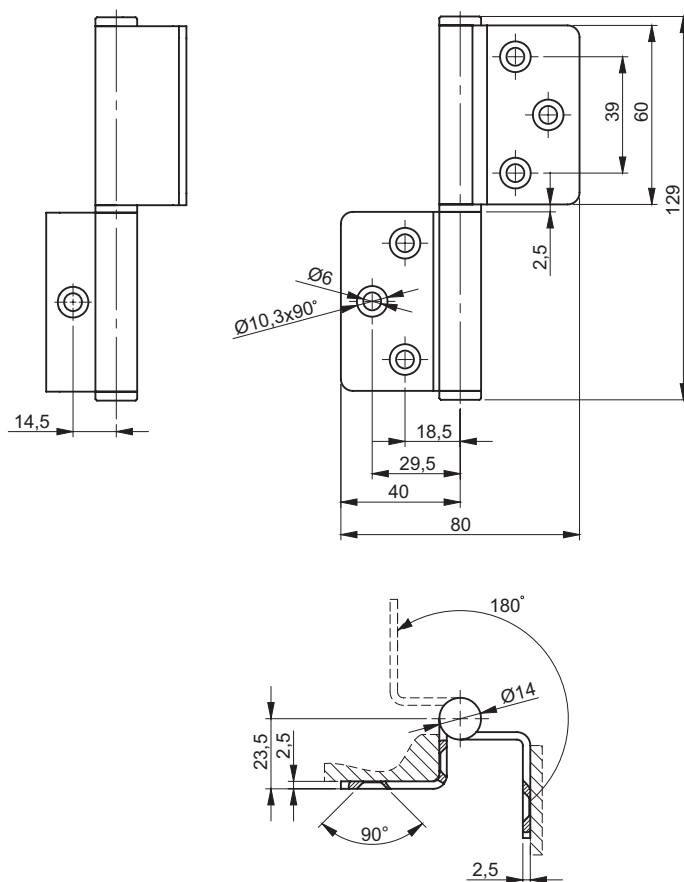
**3.ST118.002**



CATALOGUE NUMBER	COMPONENTS	MATERIAL	FINISH [C] RAL 9005
3.ST118.001	Holder, Base,	Steel zinc plated	04
	Pin	Stainless steel	
3.ST118.001SN	Holder, Base, Pin	Stainless steel	
3.ST118.002	Holder, Base	Steel zinc plated	
	Pin	Stainless steel	
3.ST118.002SN	Holder, Base, Pin	Stainless steel	

A - slide bushings made of plastics (POM)

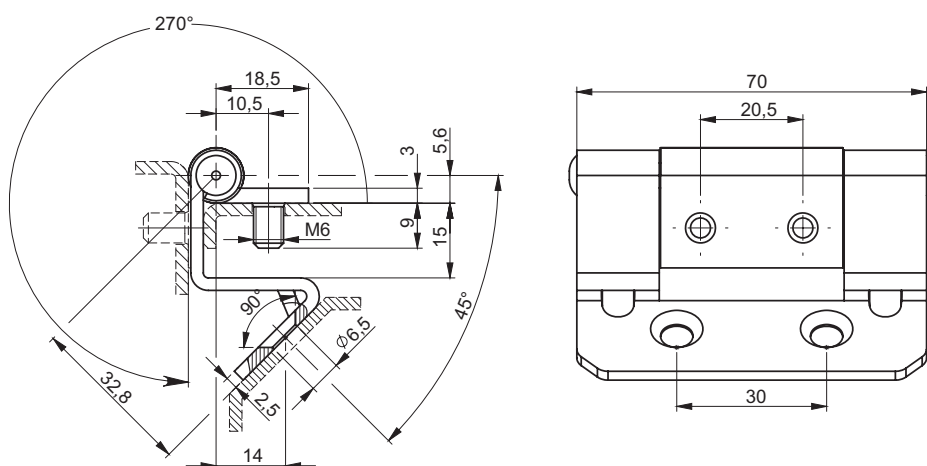
# Hinge 3.ST121, 3.ST119



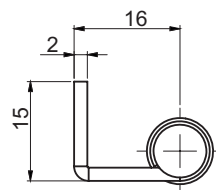
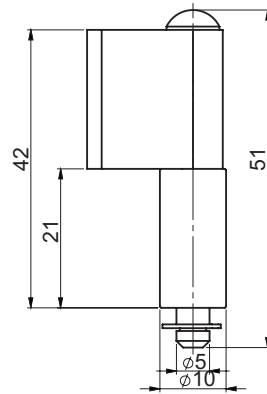
stainless steel



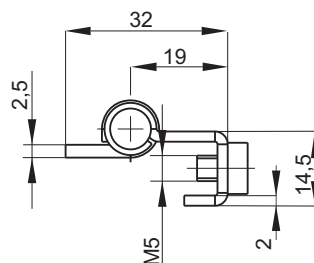
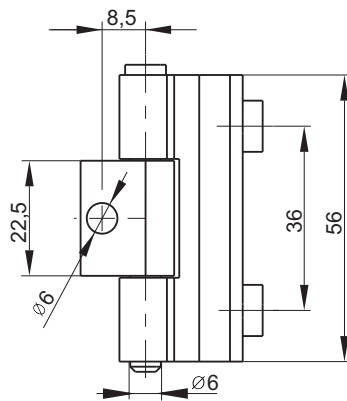
CATALOGUE NUMBER	COMPONENTS	MATERIAL
3.ST121.001	Holder, Base, Pin	Steel zinc plated
3.ST121.001SN	Holder, Base, Pin	Stainless steel



CATALOGUE NUMBER	COMPONENTS	MATERIAL
3.ST119.001	Holder, Base	Steel zinc plated
	Pin	Stainless steel



CATALOGUE NUMBER	COMPONENTS	MATERIAL
3.ST105.001	Holder, Base	Steel
	Pin	Steel zinc plated

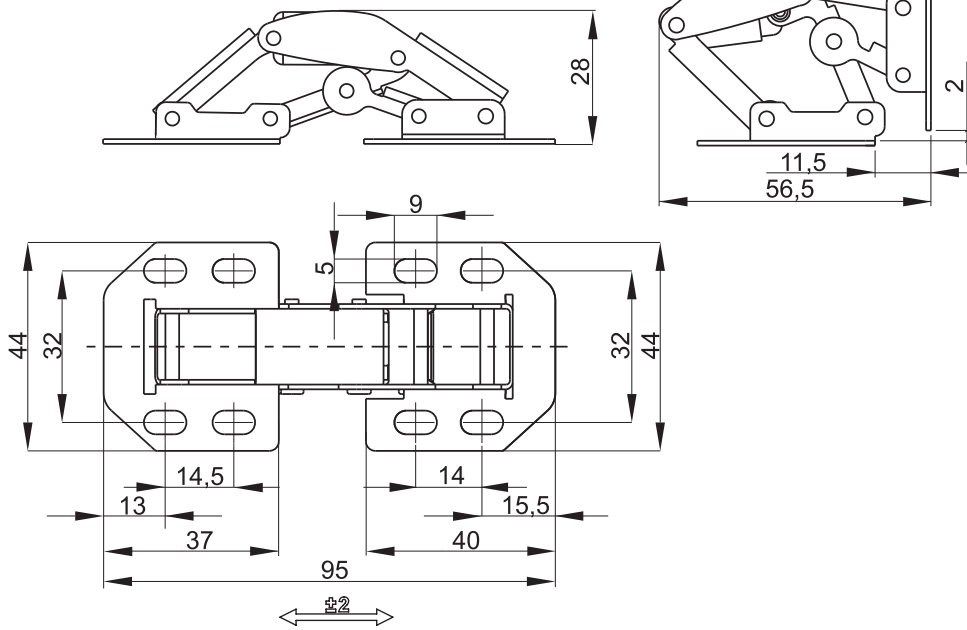


Two screws in the set DIN 7985 M5x6

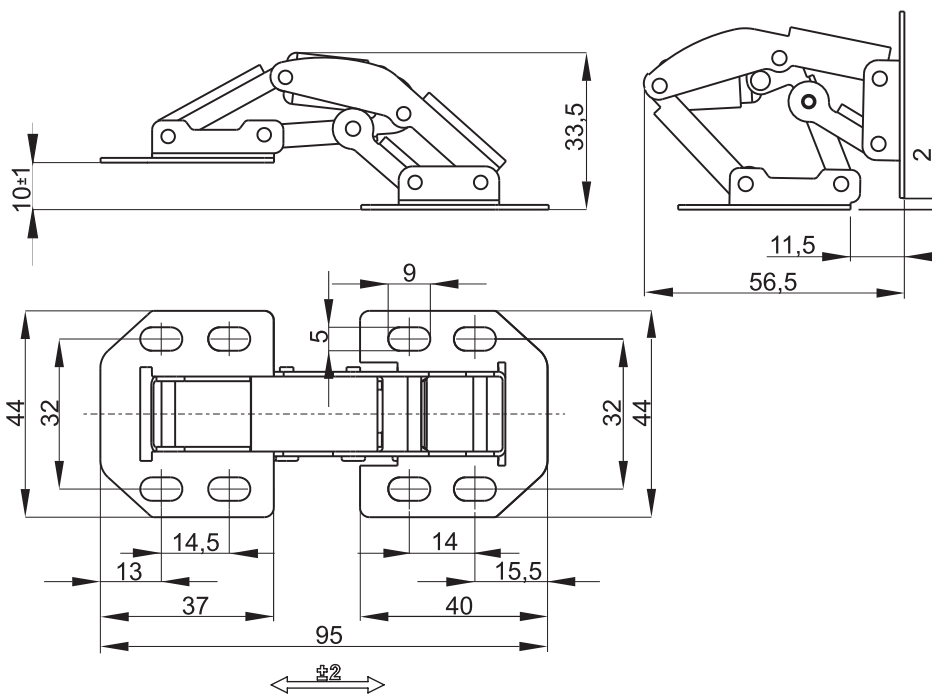
CATALOGUE NUMBER	COMPONENTS	MATERIAL
3.ST112.001	Base, Pin	Steel zinc plated
	Holder	Copper-clad steel



# Hinge 3.ST100



CATALOGUE NUMBER	COMPONENTS	MATERIAL
<b>3.ST100.001</b>	Base, Pin, Rivet	Steel zinc plated
<b>3.ST100.001SN</b>	Base, Pin, Rivet	Stainless steel

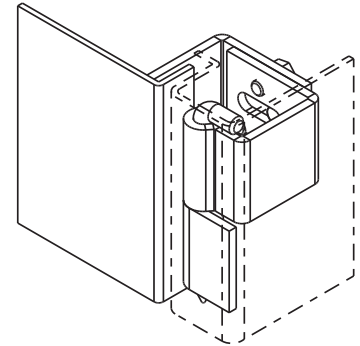
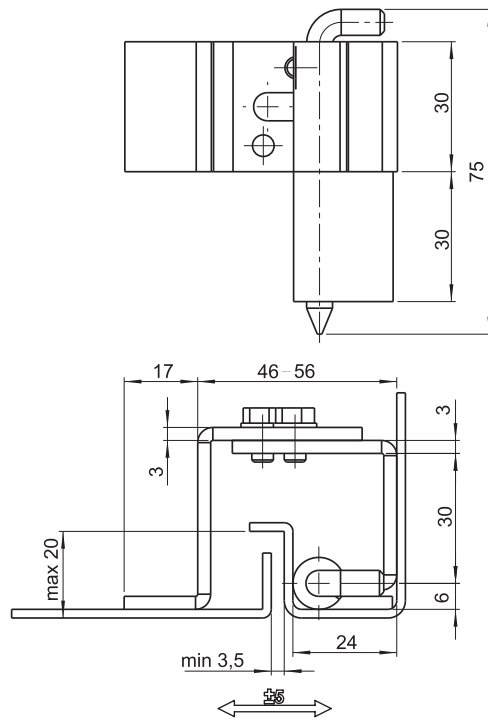


CATALOGUE NUMBER	COMPONENTS	MATERIAL
<b>3.ST100.002</b>	Base, Pin, Rivet	Steel zinc plated
<b>3.ST100.002SN</b>	Base, Pin, Rivet	Stainless steel

# Hinge 3.ST46



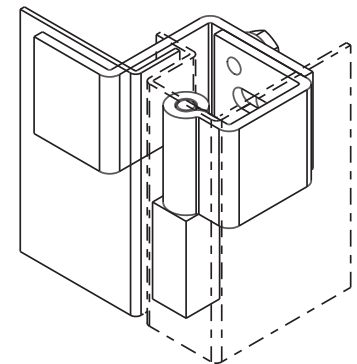
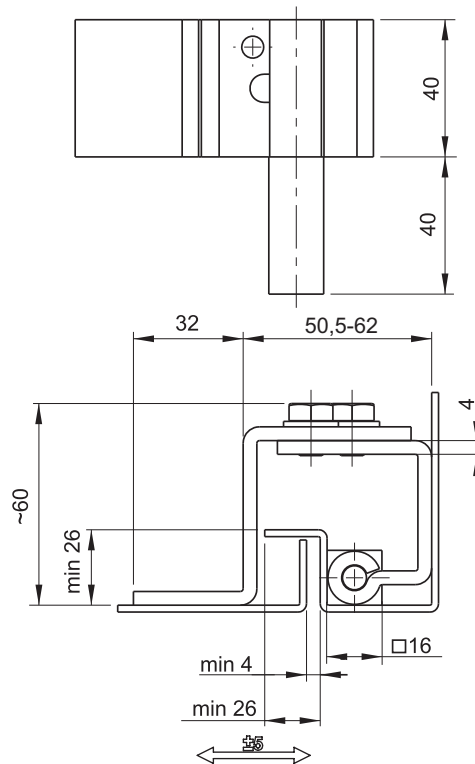
stainless steel



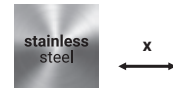
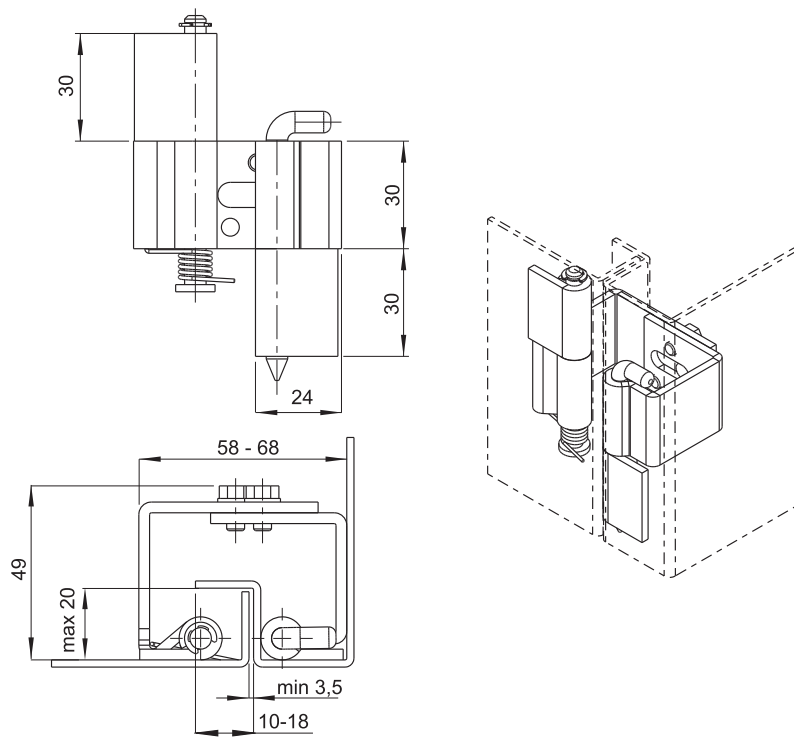
CATALOGUE NUMBER	COMPONENTS	MATERIAL
3.ST46.001	Holder, Pin	Steel zinc plated
	Base	Steel
3.ST46.001SN	Holder, Base, Pin	Stainless steel



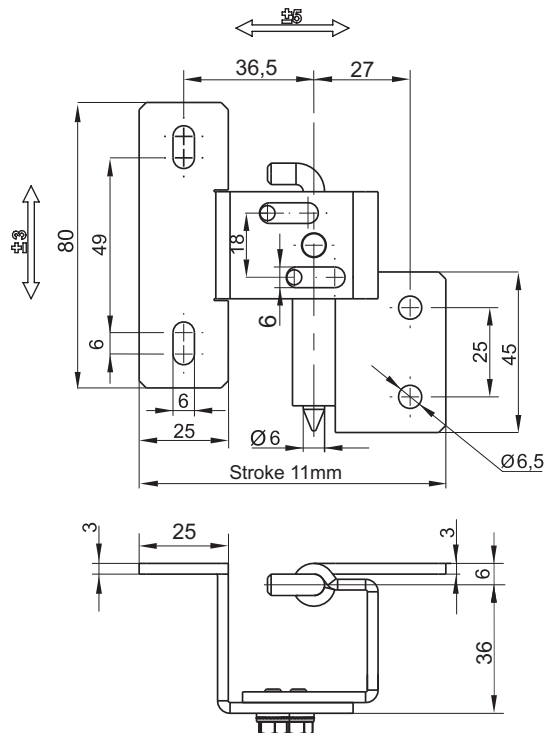
stainless steel



CATALOGUE NUMBER	COMPONENTS	MATERIAL
3.ST46-2.001	Holder	Steel
	Base	Steel zinc plated
3.ST46-2.001SN	Holder, Base, Pin	Stainless steel

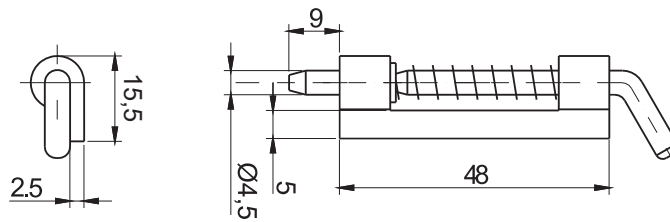


CATALOGUE NUMBER	COMPONENTS	MATERIAL
<b>3.ST46-3.002</b>	Holder, Pin	Steel zinc plated
	Base	Steel zinc plated
<b>3.ST46-3.002SN</b>	Holder, Base, Pin	Stainless steel



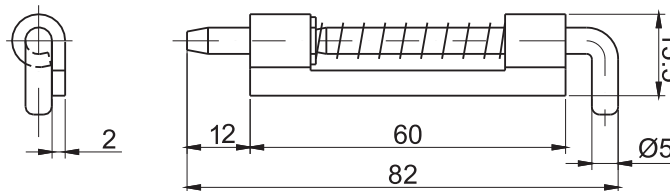
CATALOGUE NUMBER	COMPONENTS	MATERIAL
<b>3.ST46-4.001</b>	Holder, Base, Pin	Steel zinc plated
<b>3.ST46-4.001SN</b>	Holder, Base, Pin	Stainless steel

stainless steel



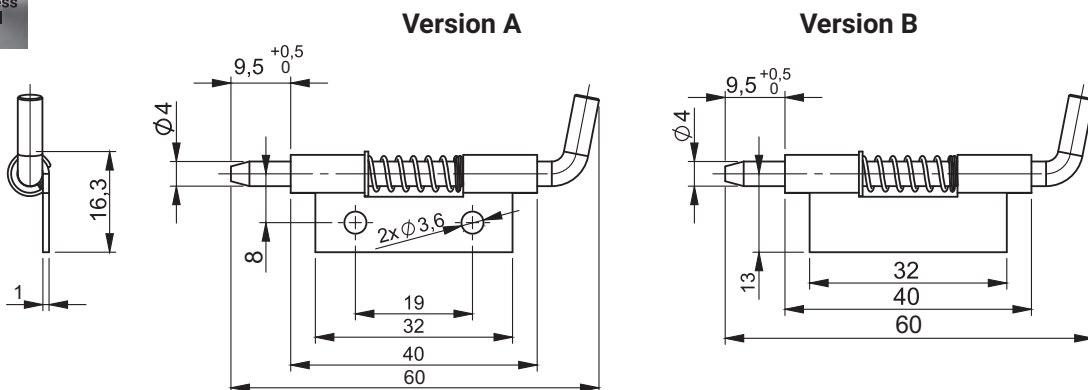
CATALOGUE NUMBER	COMPONENTS	MATERIAL
3.ST20.001	Holder	Steel
	Pin, Spring	Steel zinc plated
	Spring	Stainless steel
3.ST20.001SN	Holder, Pin, Spring	Stainless steel

stainless steel



CATALOGUE NUMBER	COMPONENTS	MATERIAL
3.ST20.002	Holder	Steel
	Pin, Spring	Steel zinc plated
3.ST20.002SN	Holder, Pin, Spring	Stainless steel

stainless steel

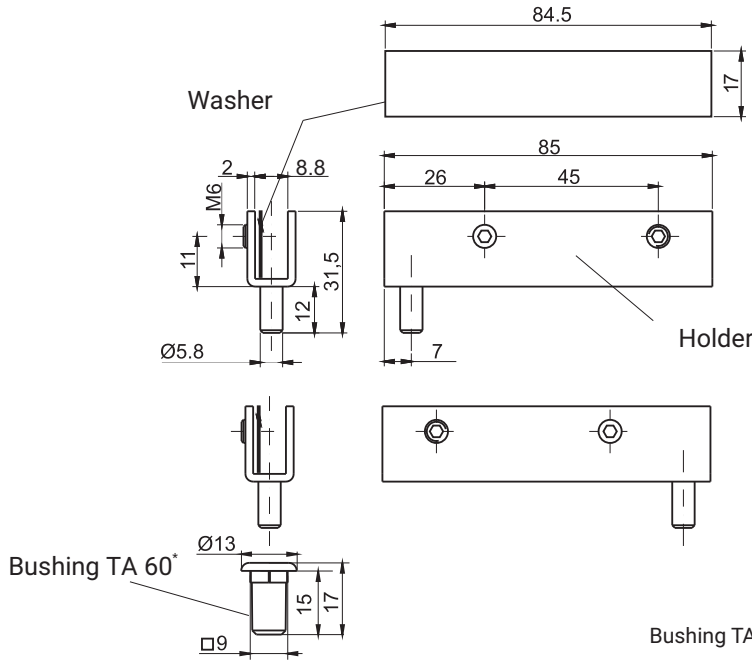


CATALOGUE NUMBER	VERSION	COMPONENTS	MATERIAL
3.ST20.003	A	Holder, Pin, Spring	Steel zinc plated
		Spring	Stainless steel
3.ST20.003SN	A	Holder, Pin, Spring	Stainless steel
3.ST20.003	B	Holder	Steel
		Pin	Steel zinc plated
		Spring	Stainless steel
3.ST20.003SN	B	Holder, Pin, Spring	Stainless steel

How to order:

Catalogue number  
Version

3.ST20.003 — A

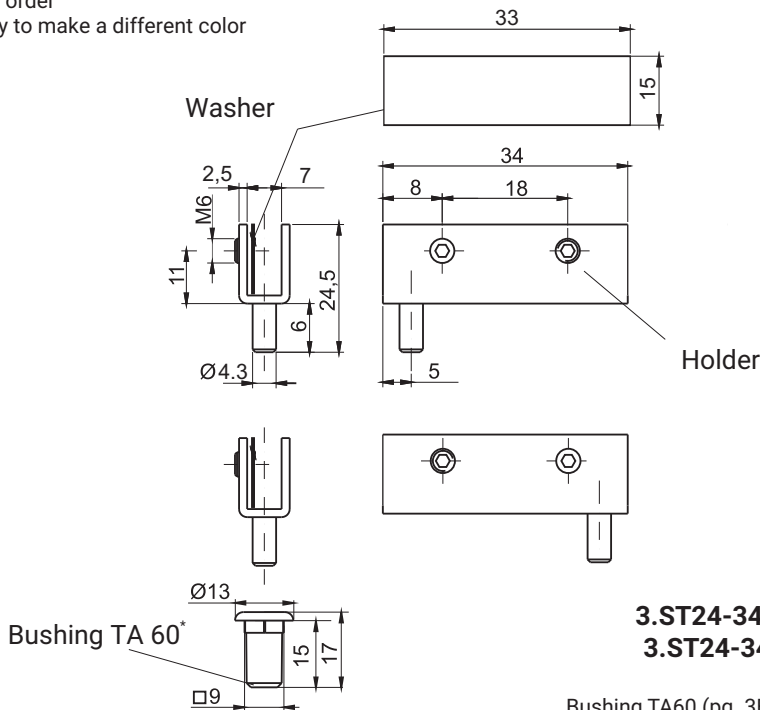


**3.ST24.001 - right version**  
**3.ST24.002 - left version**

Bushing TA60 (pg. 3B-32) ordered separately.

CATALOGUE NUMBER	COMPONENTS	MATERIAL	FINISH [C]	
			RAL9005	RAL7035
3.ST24.001	Holder	Steel zinc plated	04	05
	Washer	Brass		
3.ST24.002	Holder	Steel zinc plated		
	Washer	Brass		

\* to special order  
\*\* possibility to make a different color

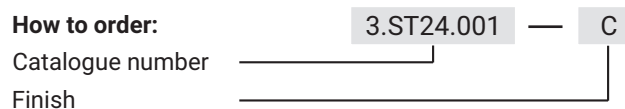


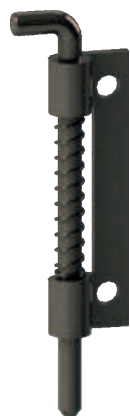
**3.ST24-34.001 - right version**  
**3.ST24-34.002 - left version**

Bushing TA60 (pg. 3B-323) ordered separately.

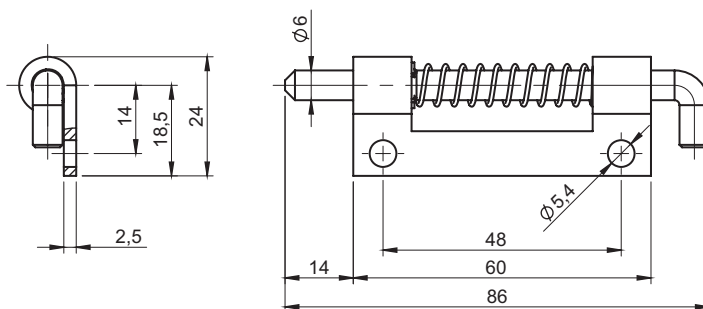
CATALOGUE NUMBER	COMPONENTS	MATERIAL	FINISH [C]	
			RAL9005	RAL7035
3.ST24-34.001	Holder	Steel zinc plated	04	05
	Washer	Brass		
3.ST24-34.002	Holder	Steel zinc plated		
	Washer	Brass		

\* to special order, \*\* possibility to make a different color





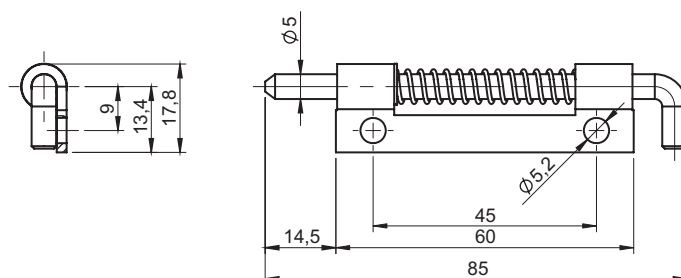
stainless steel



CATALOGUE NUMBER	COMPONENTS	MATERIAL
3.ST20.004	Holder, Pin	Steel zinc plated
3.ST20.004SN	Holder, Pin	Stainless steel



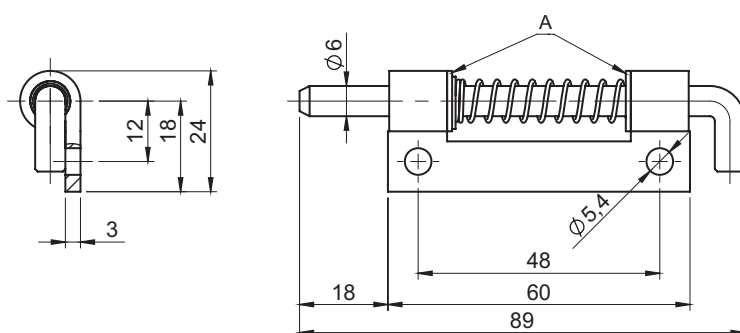
stainless steel



CATALOGUE NUMBER	COMPONENTS	MATERIAL
3.ST20.005	Holder, Pin	Steel zinc plated
3.ST20.005SN	Holder, Pin	Stainless steel



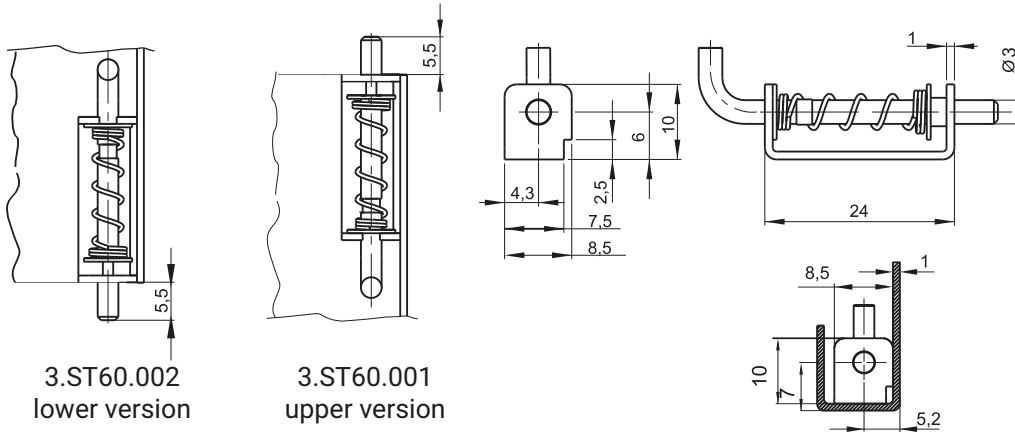
stainless steel



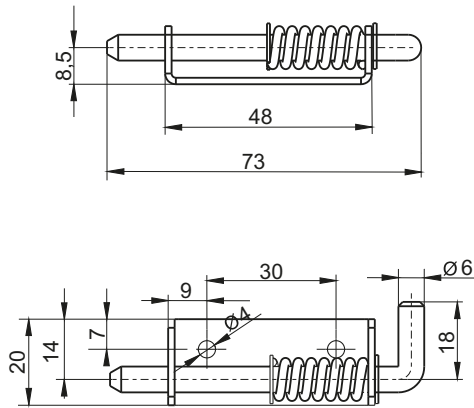
A - slide bushings made of plastics

CATALOGUE NUMBER	COMPONENTS	MATERIAL
3.ST20.010	Holder, Pin	Steel zinc plated
3.ST20.010SN	Plain bearing bush	POM
	Holder, Pin	Stainless steel

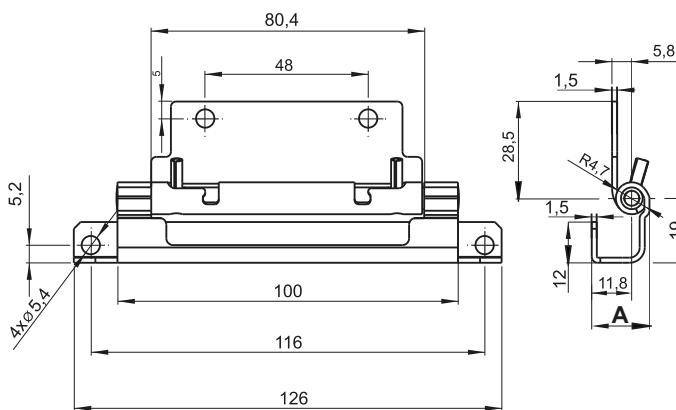
# Hinge 3.ST60, 3.ST65



CATALOGUE NUMBER	COMPONENTS	MATERIAL
3.ST60.001	Holder	Steel
3.ST60.002	Pin	Steel zinc plated

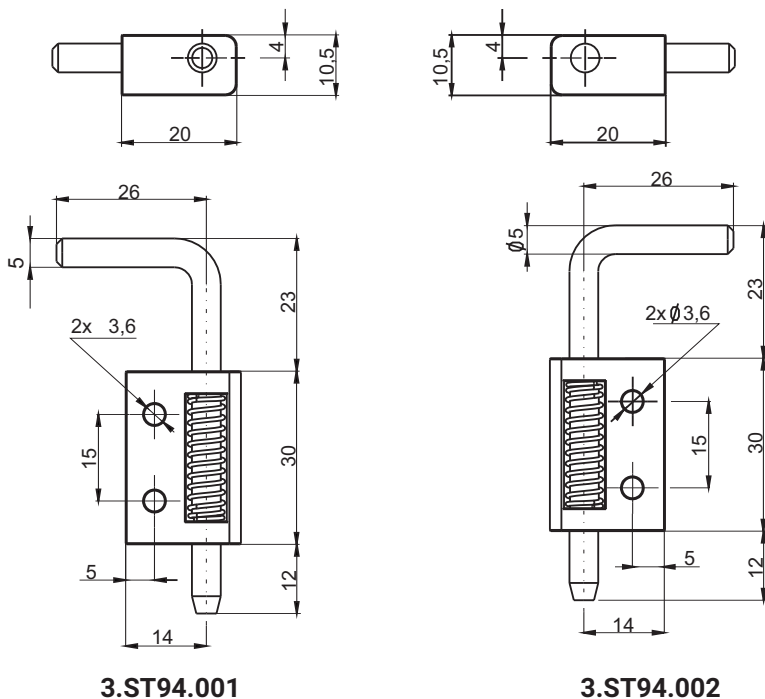


CATALOGUE NUMBER	COMPONENTS	MATERIAL
3.ST60.003	Holder, Pin	Steel zinc plated
3.ST60.004	Holder, Pin	Steel zinc plated

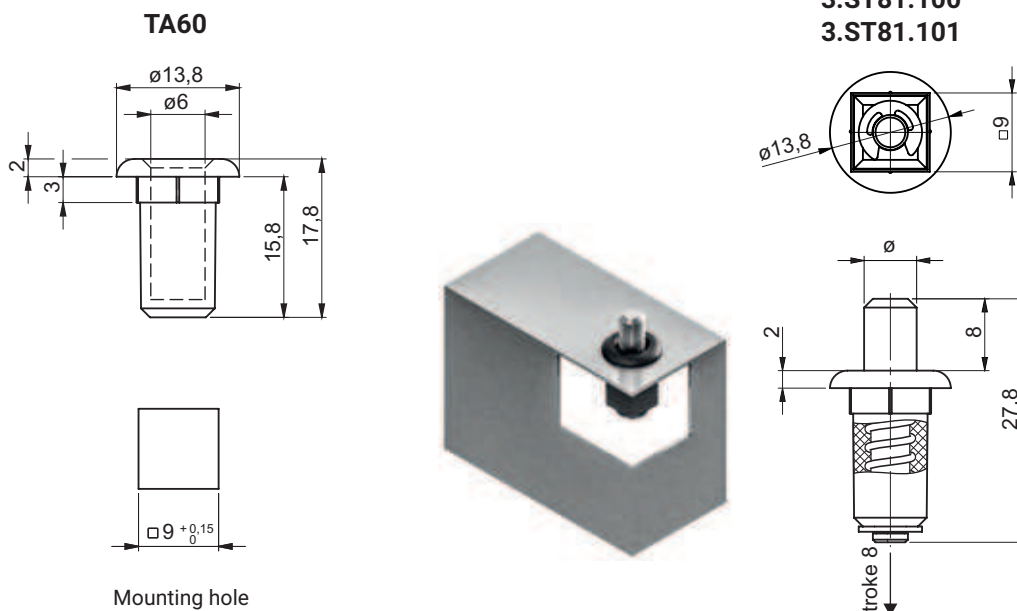


stainless steel

CATALOGUE NUMBER	DIMENSIONS A [mm]	COMPONENTS	MATERIAL
3.ST65.001	17	Holder, Base, Pin	Steel zinc plated
3.ST65.002	20		
3.ST65.003	23,4		
3.ST65.001SN	17	Holder, Base, Pin	Stainless steel
3.ST65.002SN	20		
3.ST65.003SN	23,4		

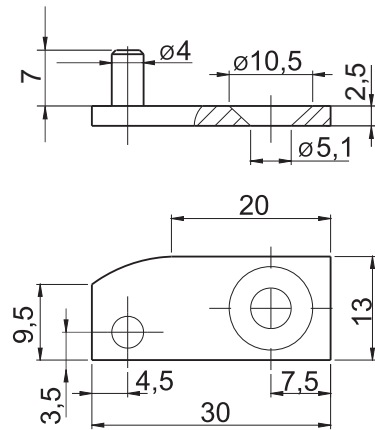


CATALOGUE NUMBER	COMPONENTS	MATERIAL	FINISH [C] RAL9005
3.ST94.001	Holder	Polyamide	07
3.ST94.002	Pin	Steel zinc plated	



CATALOGUE NUMBER	ø [mm]	COMPONENTS	MATERIAL	FINISH [C] RAL9005
3.ST81.100	6	Housing	Polyamide PA6	07
3.ST81.101		Pin	Steel zinc plated	
TA60	6	Bushing	Polyamide PA6	





**CATALOGUE NUMBER**

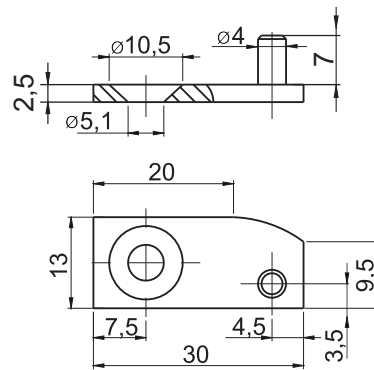
**3.ST67.001**

**COMPONENTS**

Holder

**MATERIAL**

Steel zinc plated



**CATALOGUE NUMBER**

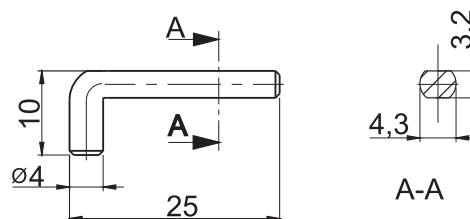
**3.ST67.002**

**COMPONENTS**

Holder

**MATERIAL**

Steel zinc plated



**CATALOGUE NUMBER**

**3.ST67.001.03**

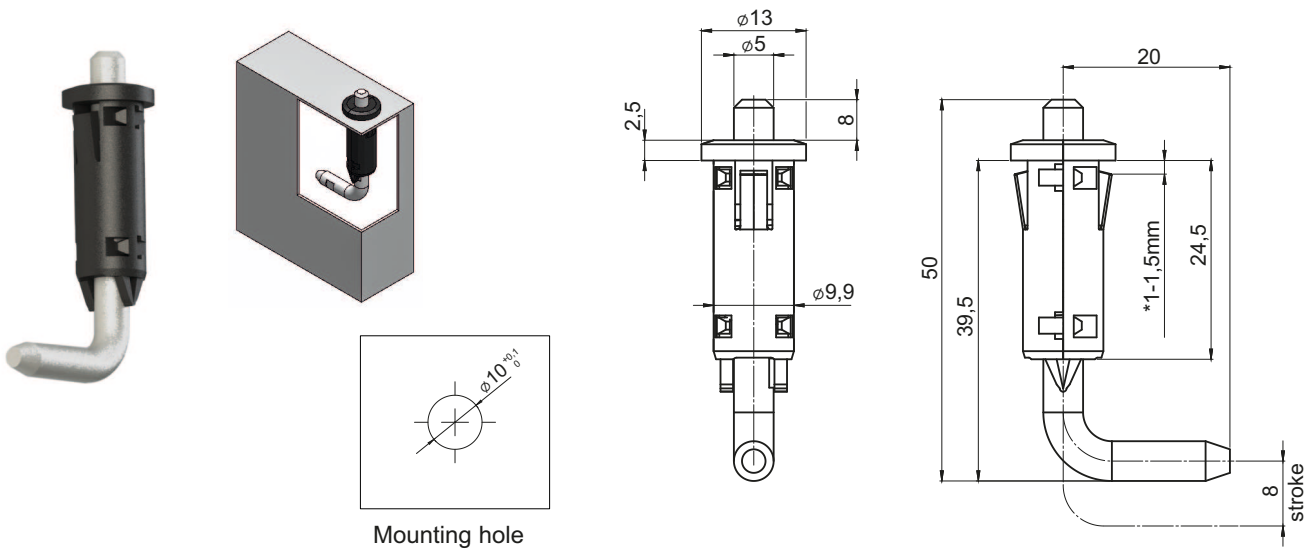
**COMPONENTS**

Pin

**MATERIAL**

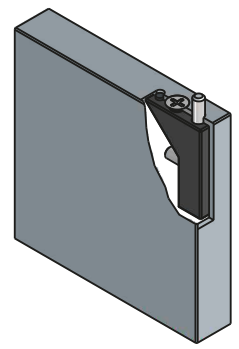
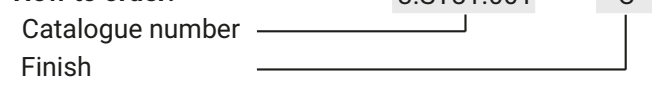
Steel

# Hinge 3.ST81, 3.ST84

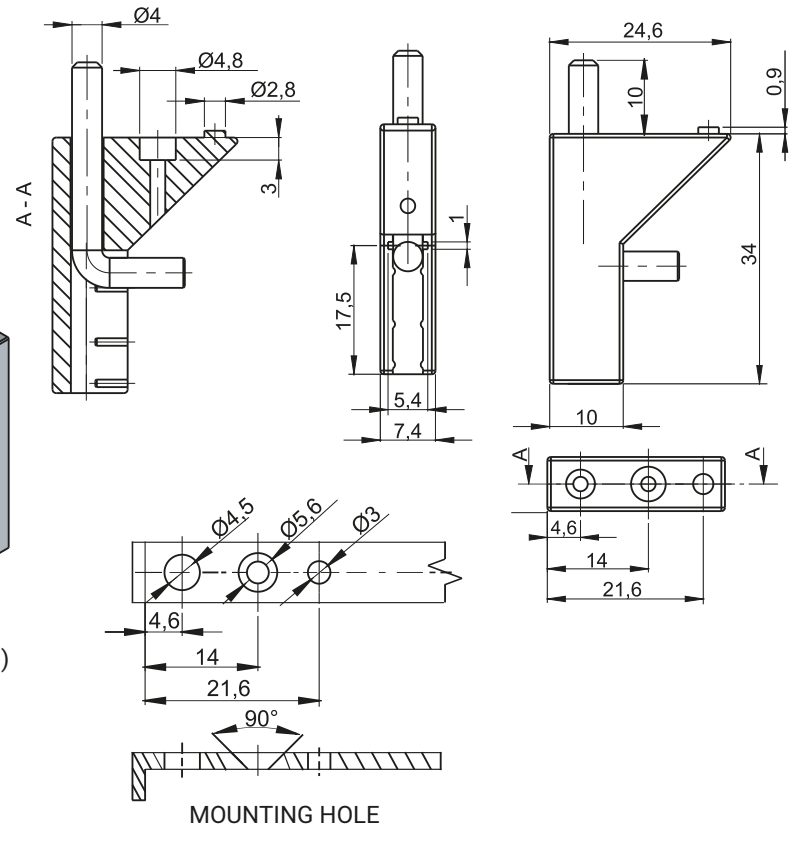


CATALOGUE NO.	COMPONENTS	MATERIAL	FINISH [C]	
			RAL 9005	RAL 9010
3.ST81.001	Housing	Polyamide	07	11
	Pin	ZAMAK 5		
	Spring	Steel		

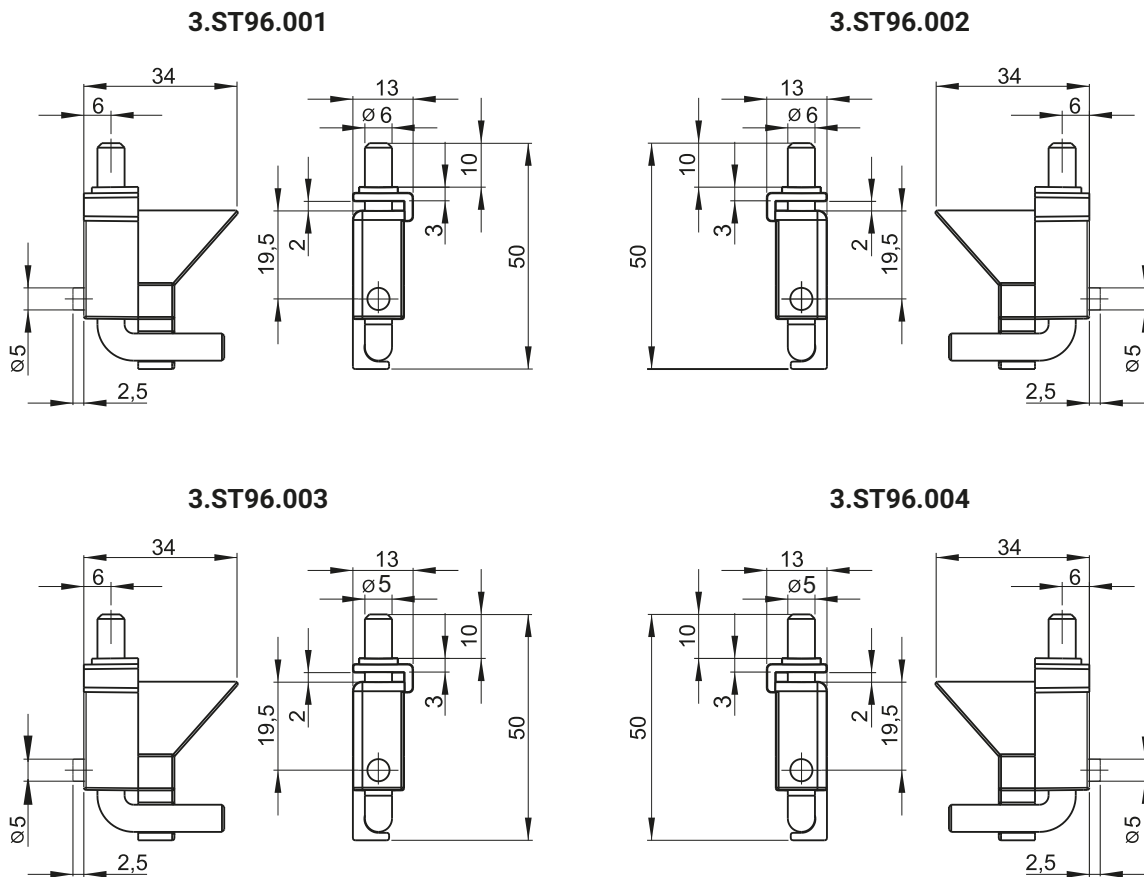
**How to order:**



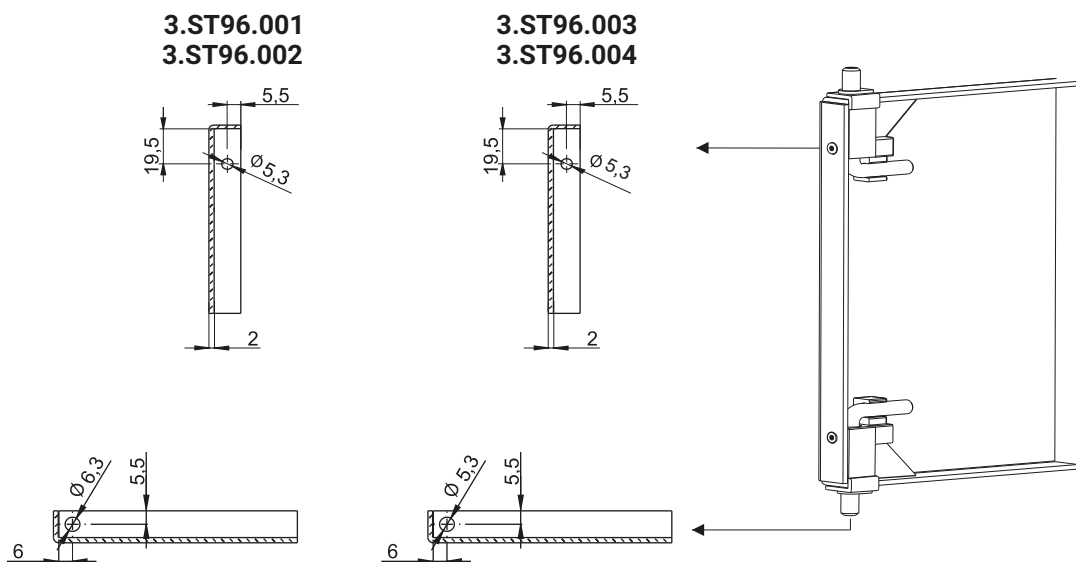
Screw acc. to  
DIN 7982 (Ø2,9x10)



CATALOGUE NUMBER	COMPONENTS	MATERIAL	FINISH [C]
			RAL 9005
3.ST84.001	Holder	Polyamide	07
	Pin	Steel zinc plated	

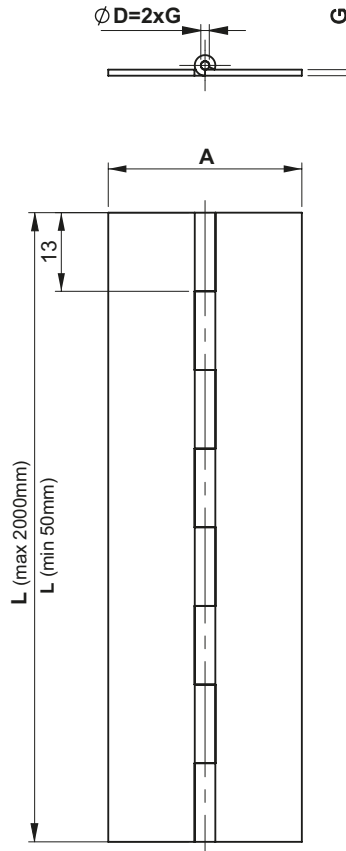


Mounting holes



CATALOGUE NUMBER	COMPONENTS	MATERIAL	FINISH [C]	
			RAL9005	RAL7035
3.ST96.001	Holder	PP	07	08
3.ST96.002	Pin	Steel zinc plated		
3.ST96.003	Holder	PP	07	08
3.ST96.004	Pin	Steel zinc plated		

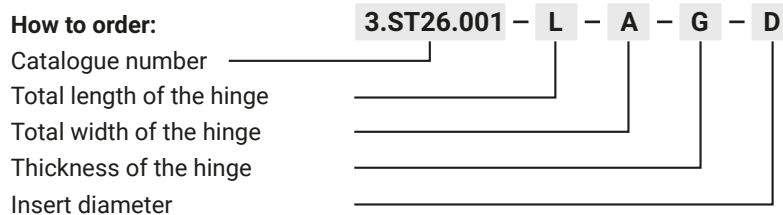
**How to order:**  
 Catalogue number 3.ST96.001  
 Finish C

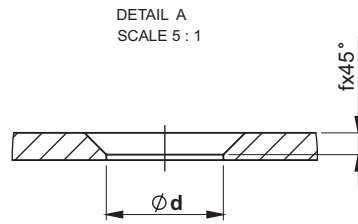
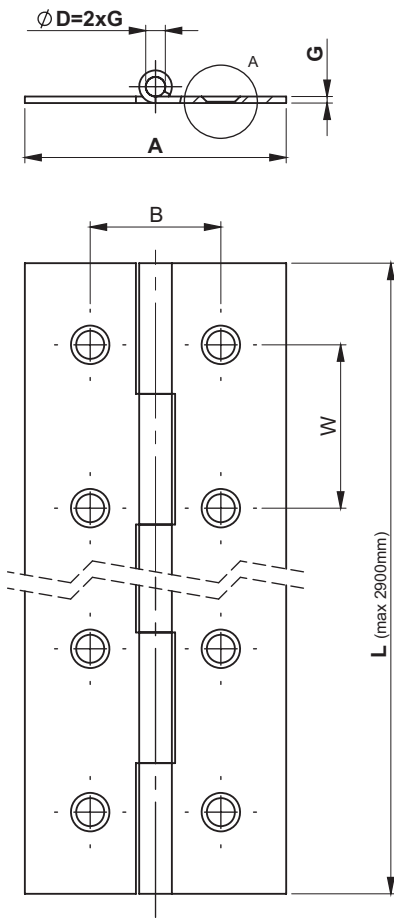


### Standard insert diameter D for chosen thickness

Sheet metal thickness G	Insert diameter D
0,8	Ø2
1	Ø1,5 or Ø2
1,5	Ø3, Ø4
2	Ø4, Ø6
3	Ø6

CATALOGUE NUMBER	COMPONENTS	MATERIAL
3.ST26.001	Holder, Pin	Steel zinc plated
3.ST26.001SN		Stainless steel



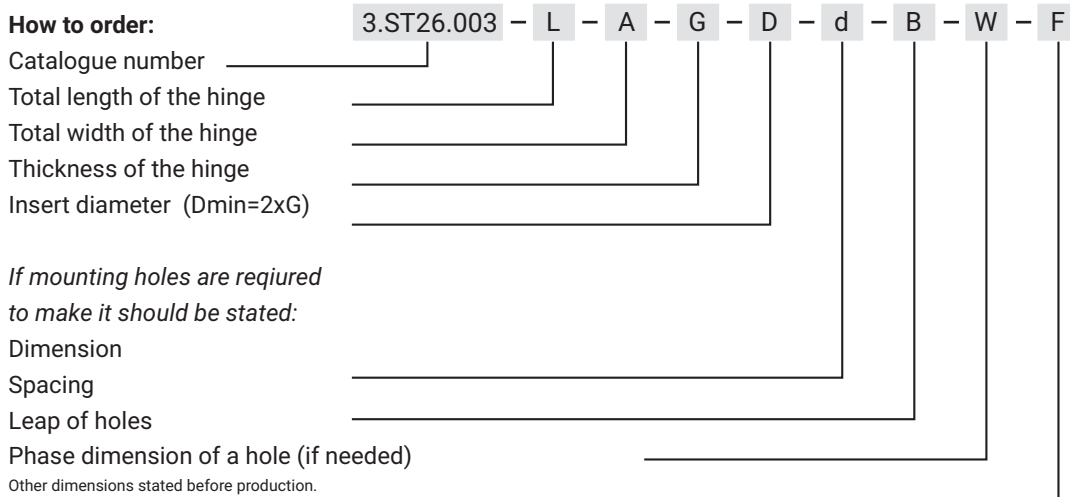


### Standard insert diameter D for chosen thickness

Sheet metal thickness G	Insert diameter D
0,8	Ø2
1	Ø2
1,5	Ø3, Ø4
2	Ø4, Ø6
3	Ø6

CATALOGUE NUMBER	COMPONENTS	MATERIAL
3.ST26.003	Holder, Pin	Steel zinc plated
3.ST26.003SN		Stainless steel

#### How to order:

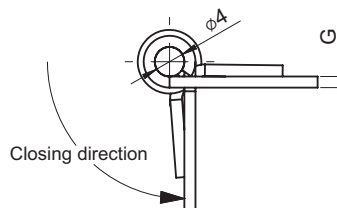


stainless  
steel

3.ST50.001



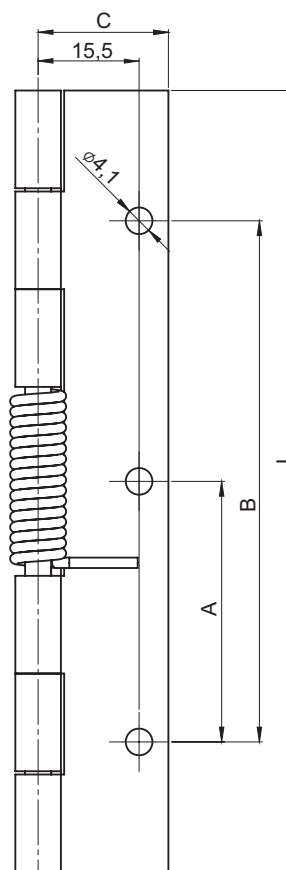
3.ST50.002



3.ST50.003



3.ST50.004



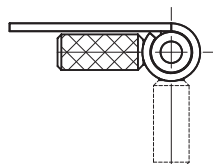
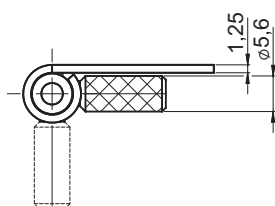
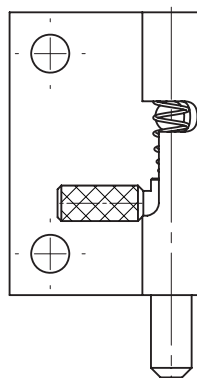
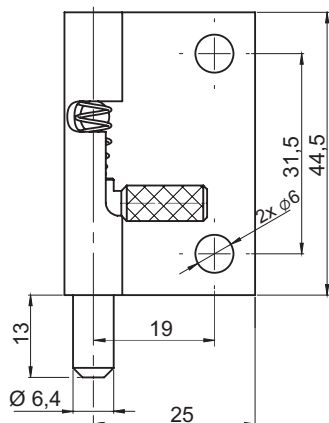
\*closing from axis

CATALOGUE NUMBER	DIMENSION					MATERIAL
	A	B	C	G	L	
3.ST50.001	30	-	25	2	50	Steel zinc plated
3.ST50.002	40	80	20	1,5	120	
3.ST50.003	60	120	20	1,5	180	
3.ST50.004	-	-	20	1,5	120	
3.ST50.001SN	30	-	25	2	50	Stainless steel
3.ST50.002SN	40	80	20	1,5	120	
3.ST50.003SN	60	120	20	1,5	180	
3.ST50.004SN	-	-	20	1,5	120	

# Hinge 3.ST79, 3.ST104

Left hinge  
3.ST79.002

Right hinge  
3.ST79.001



stainless steel



**CATALOGUE NO.**

**VERSION**

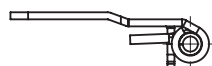
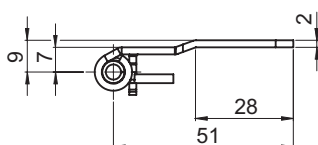
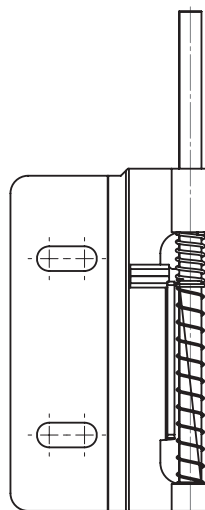
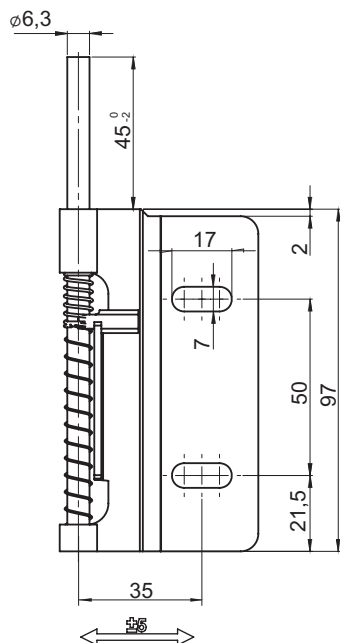
**COMPONENTS**

**MATERIAL**

3.ST79.001SN	Right	Holder, Pin	Stainless steel
3.ST79.002SN	Left	Holder, Pin	

Left hinge  
3.ST104.006.002

Right hinge  
3.ST104.006.001



stainless steel



**CATALOGUE NO.**

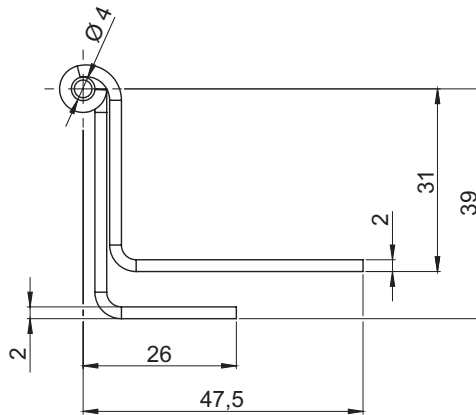
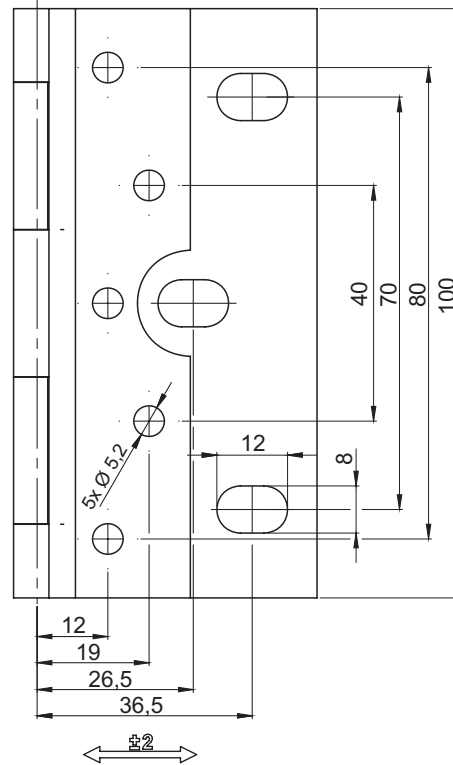
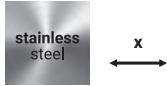
**VERSION**

**COMPONENTS**

**MATERIAL**

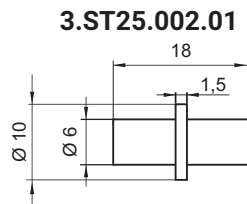
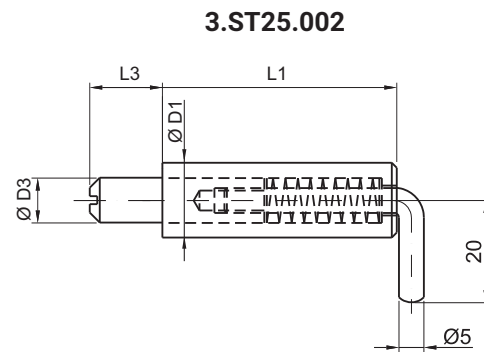
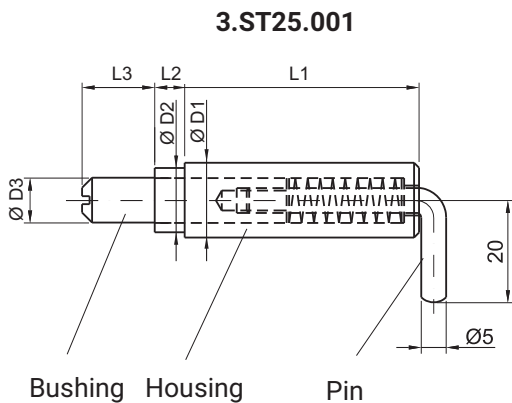
3.ST104.006.001SN	Right	Holder, Pin	Stainless steel
3.ST104.006.002SN	Left		

# Hinge 3.ST89

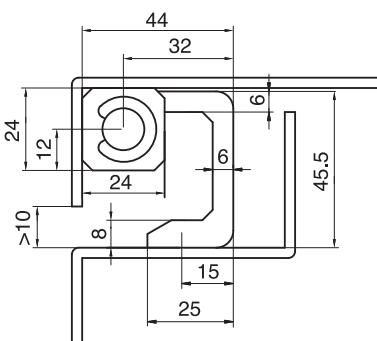
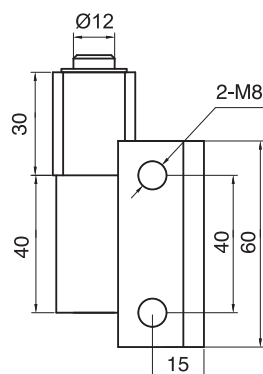


CATALOGUE NO.	COMPONENTS	MATERIAL
3.ST89.001SN	Holder, Base, Pin	Stainless steel



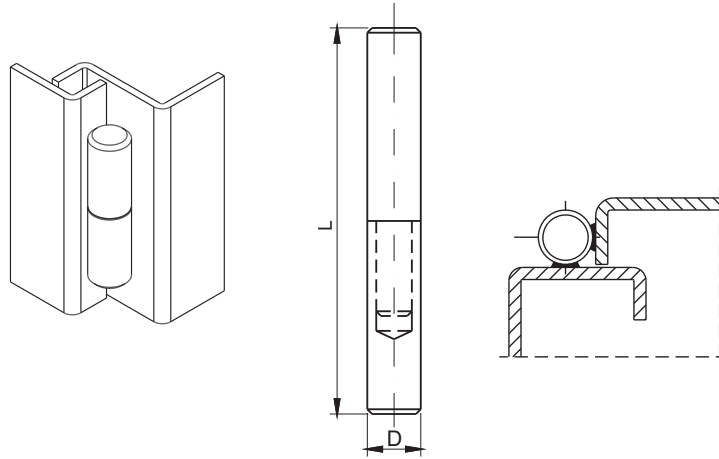


CATALOGUE NUMBER	Ø D1	Ø D2	Ø D3	L1 mm	L2 mm	L3 mm	COMPONENTS	MATERIAL
<b>3.ST25.001</b>	15	13	9	47	6	15	Housing, Bushing	Steel zinc plated
							Pin	
<b>3.ST25.001SN</b>							Housing, Bushing	Stainless steel
							Pin	
<b>3.ST25.002</b>	10	-	6	41,5	-	13	Housing, Bushing	Steel zinc plated
							Pin	
<b>3.ST25.002.01</b>	-						Limiter	Steel without finish
<b>3.ST25.005</b>	12	9	6	38	3,5	10	Housing	Steel copper plated
							Bushing	Steel zinc plated



CATALOGUE NUMBER	COMPONENTS	MATERIAL
<b>3.550.001</b>	Holder, Pin	Stainless steel

stainless steel

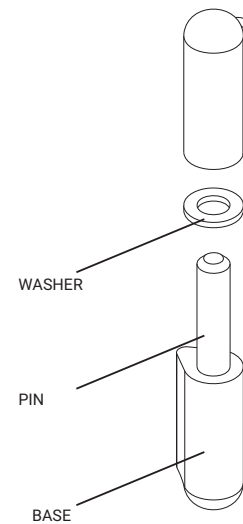
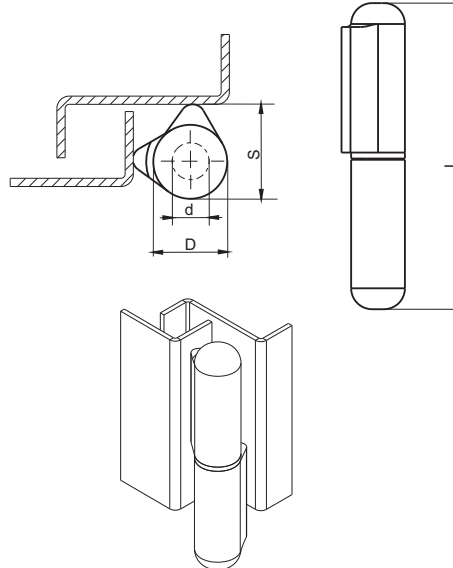


CATALOGUE NUMBER	Dimension		X
	L [mm]	D [mm]	
3.ST7.X 3.ST7.XSN	40	10	001
	50	10	002
	65	10	003
	40	14	005
	100	13	006
	100	16	007

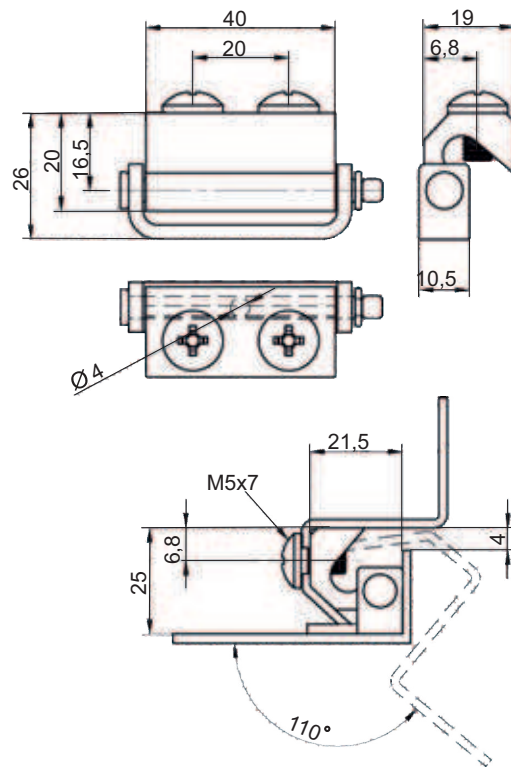
CATALOGUE NUMBER	COMPONENTS	MATERIAL
3.ST7.X	Holder, Pin	Steel
3.ST7.XSN	Holder, Pin	Stainless steel

ST 7-1

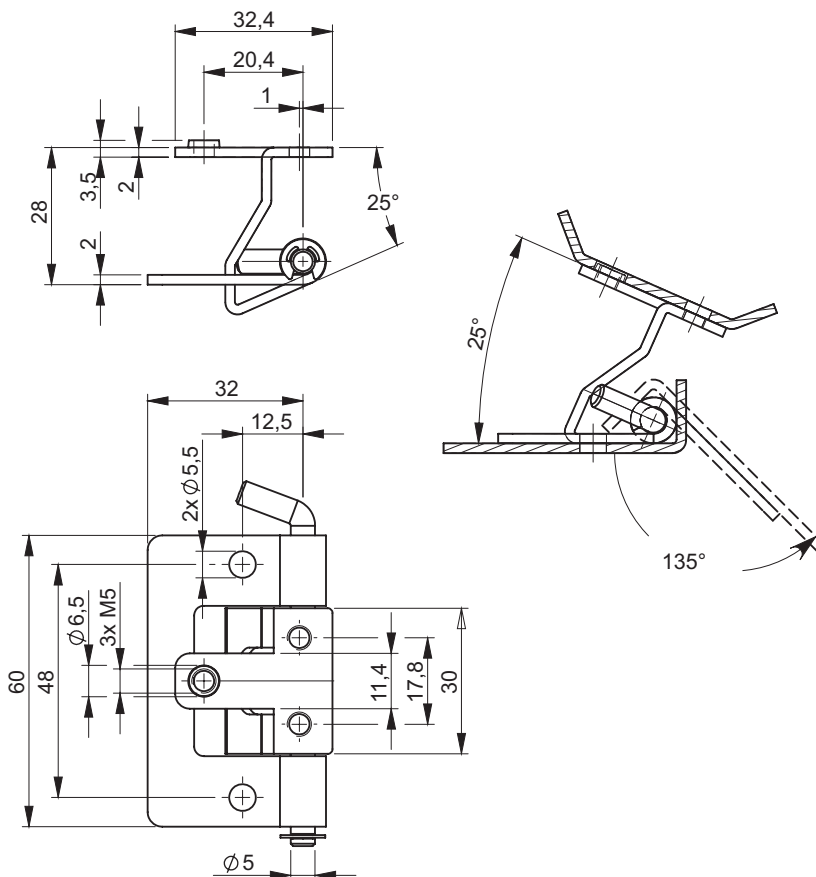
ST 7-2



CATALOGUE NUMBER		COMPONENTS	MATERIAL			
3.ST7-1		Base, Pin	Steel			
3.ST7-2		Washer	Brass			
Cat. No. ST7-1	Cat. No. ST7-2	Dimensions	D	S	d	L
ST7-1.001A	ST7-2.001A	8x9,5	8	9,5	5	40
ST7-1.001B	ST7-2.001B	8x9,5	8	9,5	5	50
ST7-1.002A	ST7-2.002A	10x12	10	12	6	60
ST7-1.002B	ST7-2.002B	10x12	10	12	6	70
ST7-1.003	ST7-2.003	13x16	13	16	8	80
ST7-1.004	ST7-2.004	16x20	16	20	10	100
ST7-1.005	ST7-2.005	18x22	18	22	12	135
ST7-1.006	ST7-2.006	20x25	20	25	14	150
ST7-1.007	ST7-2.007	23x28	23	28,5	16	200

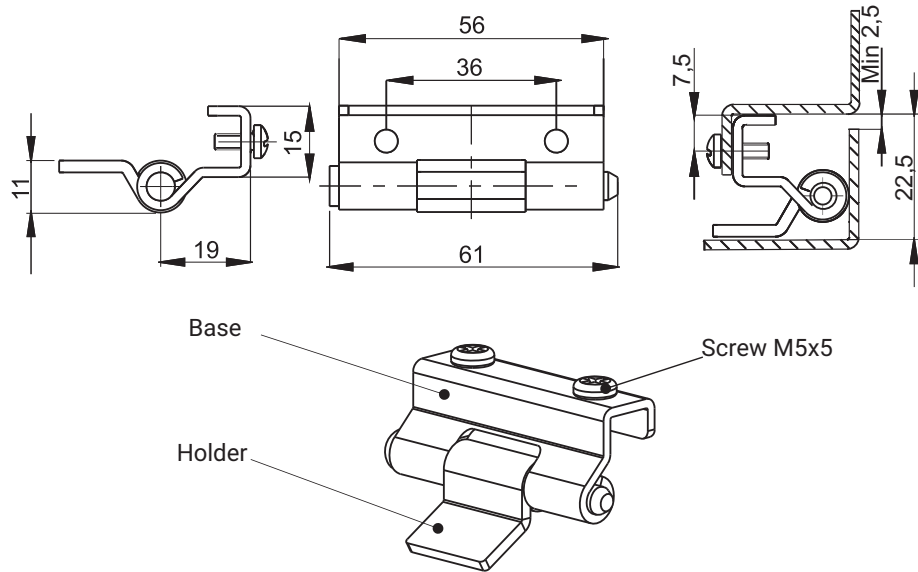


CATALOGUE NUMBER	COMPONENTS	MATERIAL
3.538.001	Holder	Steel copper plated
	Base	Aluminum zinc plated

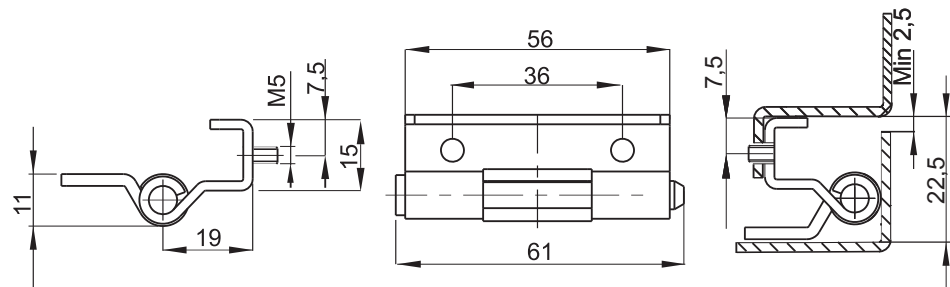


CATALOGUE NUMBER	COMPONENTS	MATERIAL
3.539.001	Holder, Base	Steel zinc plated

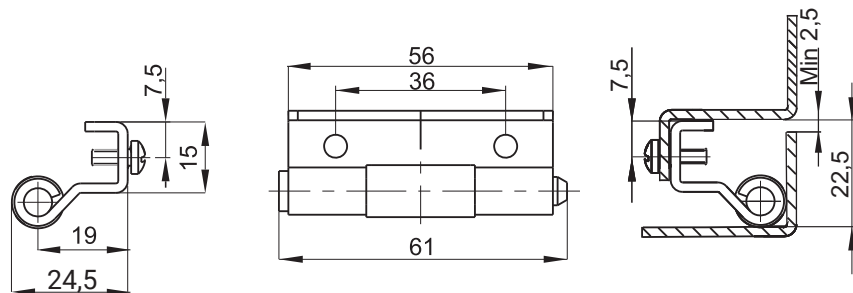
# Hinge 3.ST551, 3.ST552, 3.ST553



CATALOGUE NUMBER	COMPONENTS	MATERIAL
3.ST551.001	Base	Steel zinc plated
	Holder	Steel copper plated

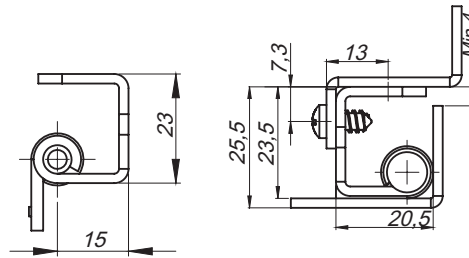


CATALOGUE NUMBER	COMPONENTS	MATERIAL
3.ST552.001	Base	Steel zinc plated
	Holder	Steel copper plated

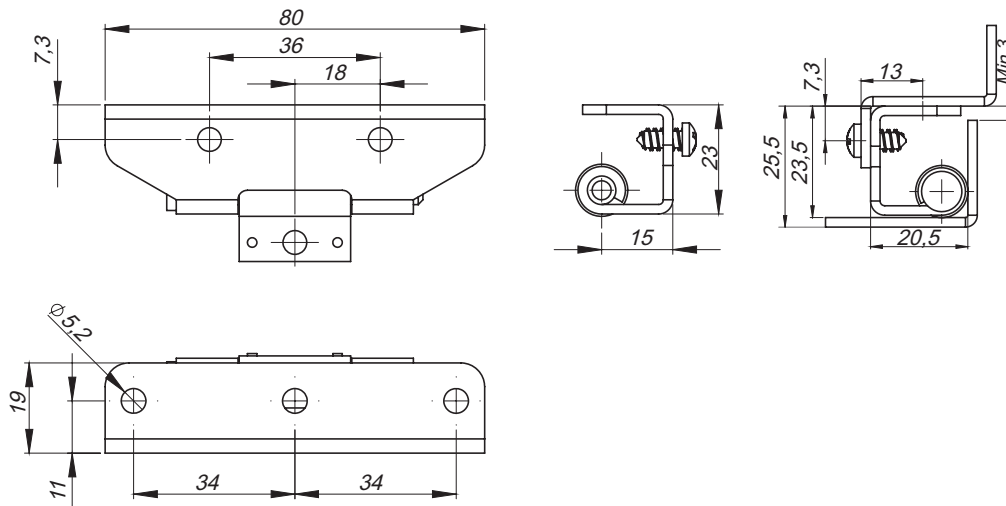


CATALOGUE NUMBER	COMPONENTS	MATERIAL
3.ST553.001	Base	Steel zinc plated
	Holder	Steel copper plated

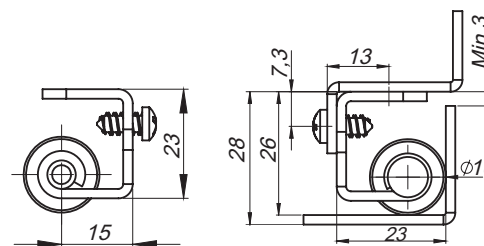
## 3.ST558 ver. 001



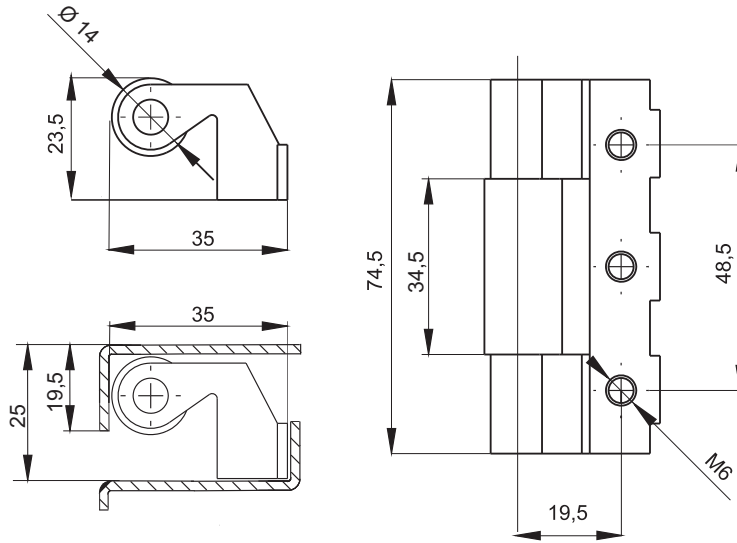
## 3.ST558 ver. 002



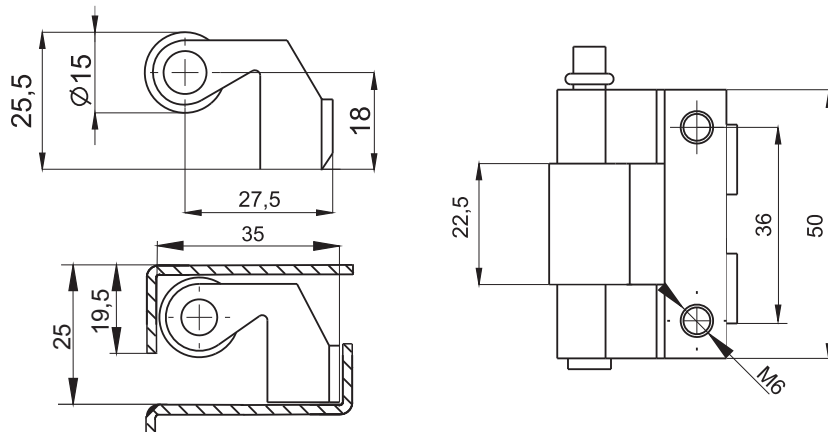
## 3.ST558 ver. 003



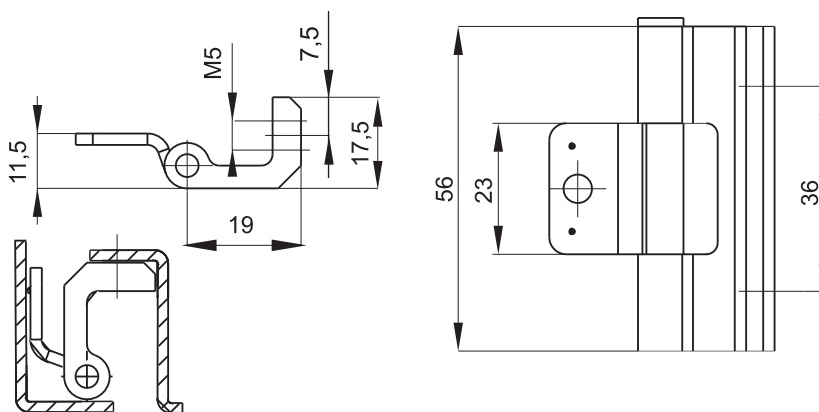
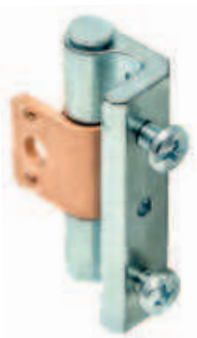
CATALOGUE NUMBER	COMPONENTS	MATERIAL
3.ST558.001	Base, pin	Steel zinc plated
	Holder	Steel copper plated
3.ST558.002	Base, pin	Steel zinc plated
	Collet	Steel copper plated
3.ST558.003	Base, pin	Steel zinc plated
	Collet	Steel copper plated



CATALOGUE NUMBER	COMPONENTS	MATERIAL
3.501.001	Base	ZAMAK 5 zinc plated
	Holder	Steel copper plated
	Pin	Steel zinc plated



CATALOGUE NUMBER	COMPONENTS	MATERIAL
3.502.001	Base	ZAMAK 5 zinc plated
	Holder	Steel copper plated
	Pin	Steel zinc plated

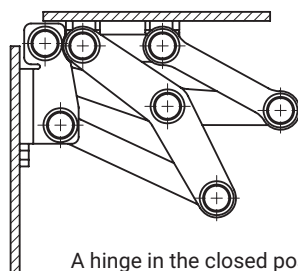
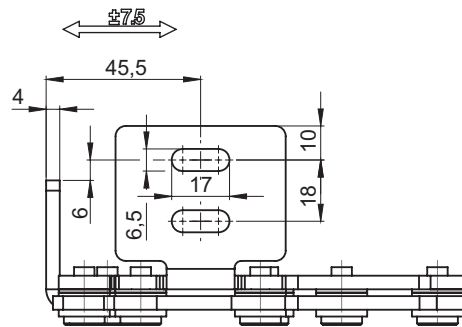
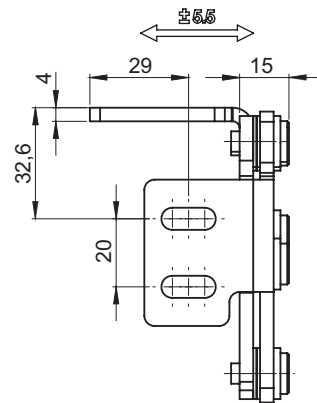
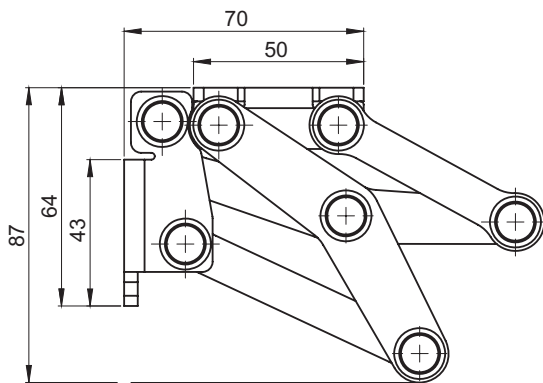


CATALOGUE NUMBER	COMPONENTS	MATERIAL
3.503.001	Base	ZAMAK 5 zinc plated
	Holder	Steel copper plated
	Pin	Steel zinc plated

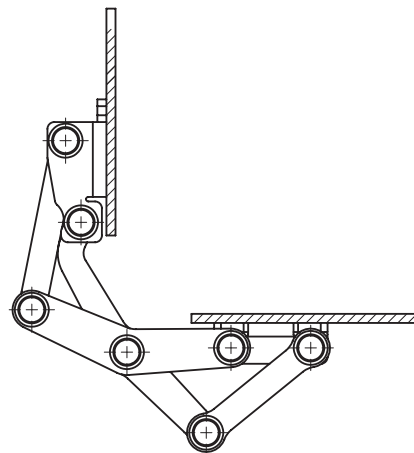
# Hinge 3.ST300

Left hinge  
3.ST300.002SN

Right hinge  
3.ST300.001SN



A hinge in the closed position



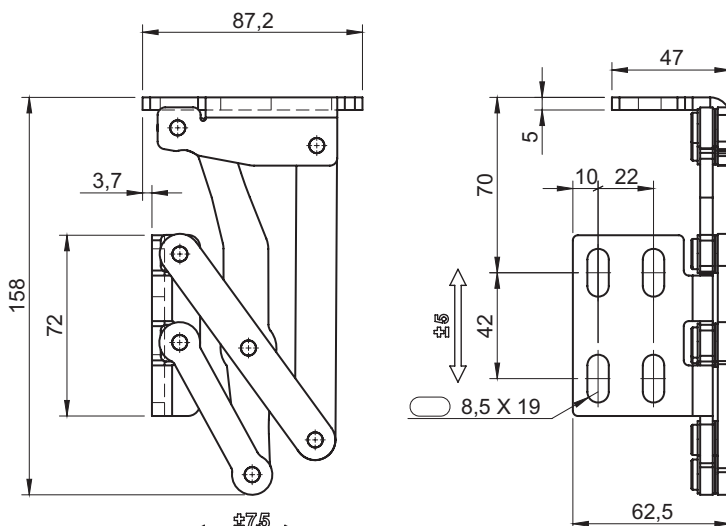
A hinge in the open position

CATALOGUE NO.	VERSION	MATERIAL
3.ST300.001SN	Right	Stainless steel
3.ST300.002SN	Left	

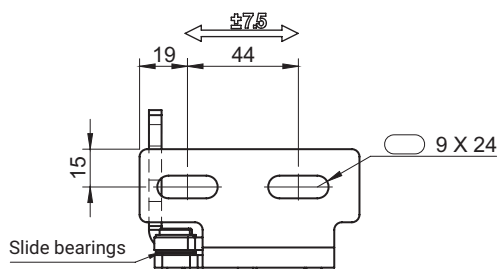
# Hinge 3.ST301



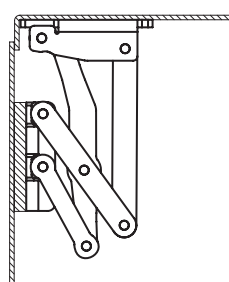
**3.ST301.001SN**  
Right hinge



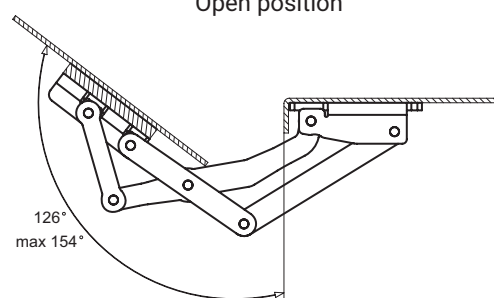
**3.ST301.002SN**  
Left hinge



Closed position



Open position

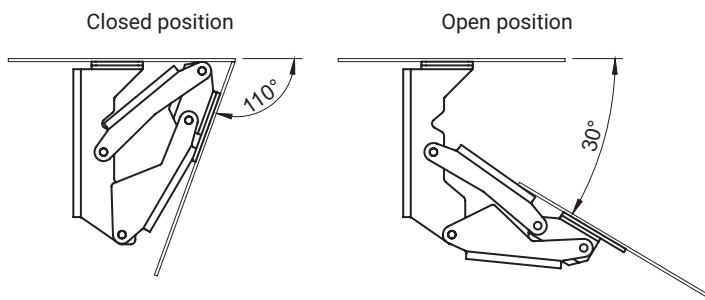
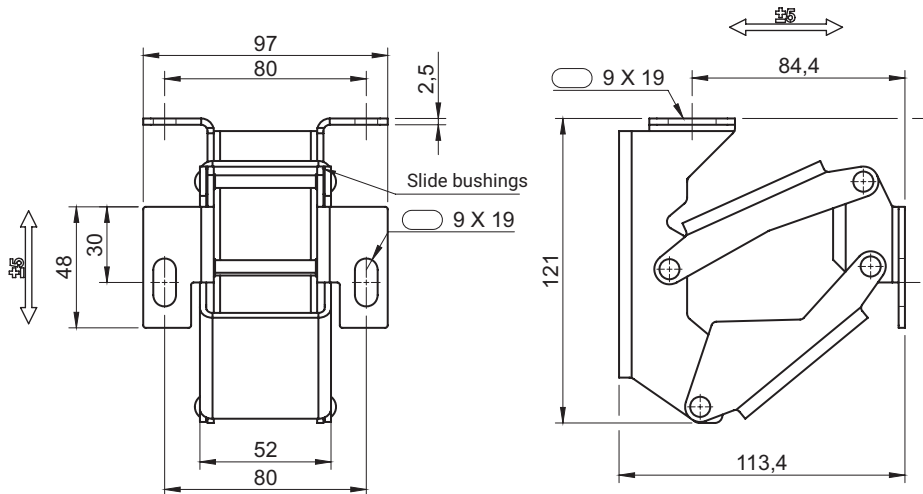


All hinge pivot axes are supported by slide bearings

CATALOGUE NUMBER	VERSION	MATERIAL
3.ST301.001SN	Right	Stainless steel
3.ST301.002SN	Left	



# Hinge 3.ST302



All hinge pivot axes are supported by slide bearings

CATALOGUE NUMBER	MATERIAL
3.ST302.001SN	Stainless steel

