

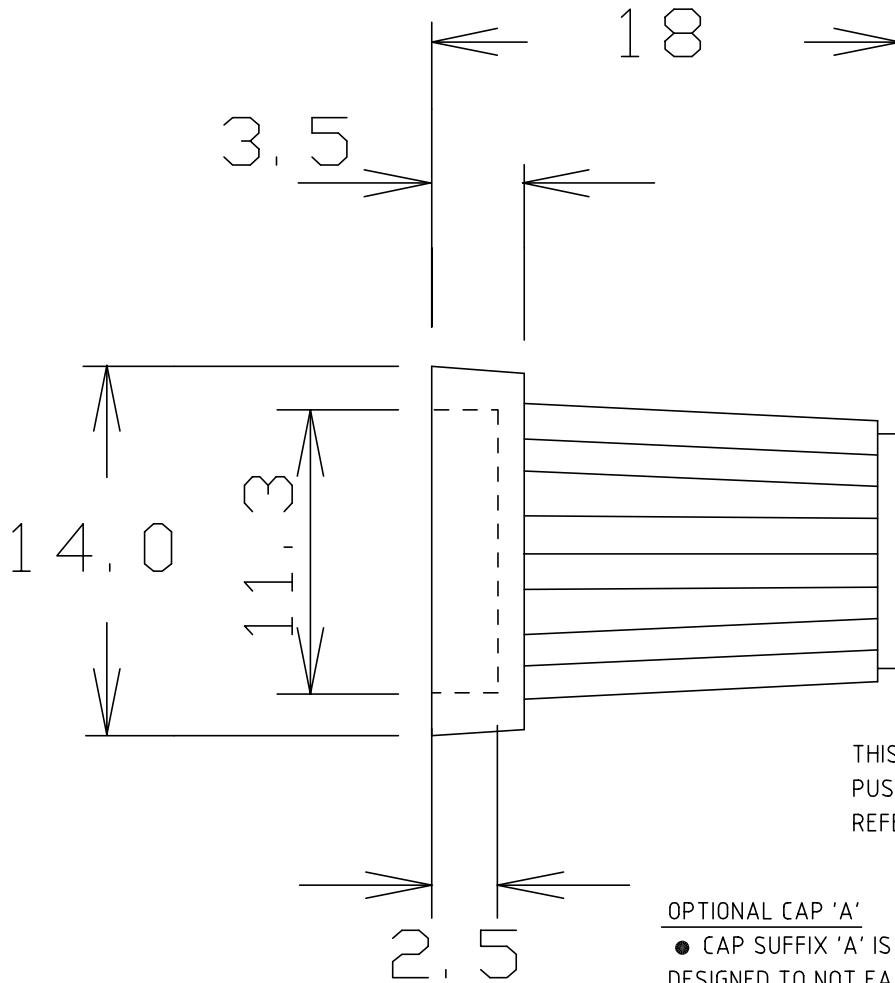


HESTORE.HU

elektronikai alkatrész áruház

EN: This Datasheet is presented by the manufacturer.

Please visit our website for pricing and availability at www.hestore.hu.

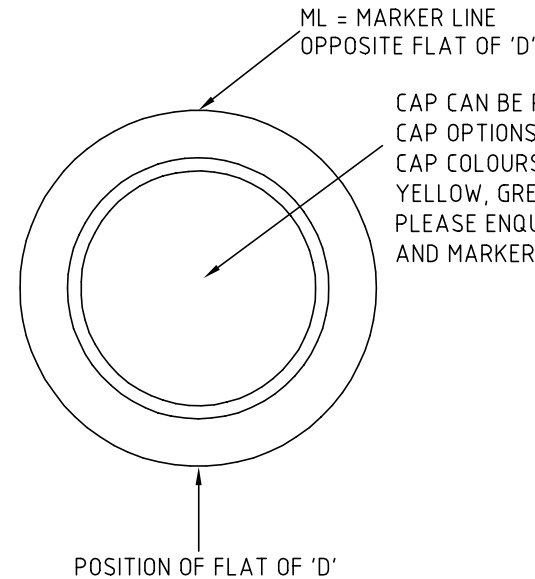


THIS KNOB ONLY MADE FOR
PUSH FIXING.
REFER TO DATA FOR SIZES.

OPTIONAL CAP 'A'

● CAP SUFFIX 'A' IS SPECIAL EXTRA TIGHT VERSION,
DESIGNED TO NOT EASILY TURN. (OEM SUPPLY ONLY)

PART No.	DESCRIPTION
CL17085	K85 BLACK 4mm D
CL17086	K85 GREY 4mm D
CL17094	K85 BLACK 6mm D
CL17095	K85 BLACK 6mm D ML
CL17096	K85 GREY 6mm D
CL17097	K85 BLACK 6mm SPLINE
CL170971	K85 BLACK 6mm SPLINE ML
CL170974	K85 GREY 6mm SPLINE
CL170976	K85 TRANSLUCENT 6mm SPLINE
CL17098	K85 BLACK 1/4" D
CL170981	K85 BLACK 1/4" D ML
CL17099	K85 BLACK 1/4" SPLINE
CL170995	K85 GREY 1/4" D ML



CAP CAN BE PLACED IN ANY POSITION.
CAP OPTIONS: PLAIN / DOT / MARKER LINE.
CAP COLOURS: BLACK, WHITE, RED, BLUE, GREEN,
YELLOW, GREY, ORANGE.
PLEASE ENQUIRE FOR CUSTOM COLOURS OF CAPS
AND MARKERS, SUBJECT TO MOQ.

ISS.	REVISION	DATE
1	1st DRAWN	14/08/9
2	'A' CAP ADD	28/07/9
3	CUSTOM NOTE	12/02/9
4	CL170976 WAS GREY1/4"D	16/04/1

RoHS
COMPLIAN

TOLERANCE
NO DEC. PLACE ± 0.25
1 DEC. PLACE ± 0.20
2 DEC. PLACE ±
HOLE Ø ± 0.10
ANGLES ± 1/2°
UNLESS
OTHERWISE STATED

Cliff Electronic Components Ltd.

76 Holmethorpe Avenue, Holmethorpe Industrial Estate,
Redhill, Surrey, RH1 2PF, England, UK
Tel: 01737-771375 Fax: 01737-766012 Website: www.cliffuk.co.uk

THE CONTENTS OF THIS DOCUMENT MUST NOT BE COPIED OR DISCLOSED
TO A 3rd PARTY WITHOUT WRITTEN PERMISSION OF CLIFF UK. © 1991

DIMENSIONS IN MILLIMETERS UNLESS OTHERWISE STATED. WORK TO DIMENSIONS. REMOVE ALL BURRS. IF IN DOUBT ASK.

3rd ANGLE PROJECTION:

DO NOT SCALE

MATERIAL: NYLON / ABS

TITLE: KNOB K85

FINISH: AS MOULDED - CLEAN

DRWG. No. **CL17085**

DRAWN: C.A.M.J.

APPROVED: R.W.T.

FORM: A4DRWC