



HESTORE.HU

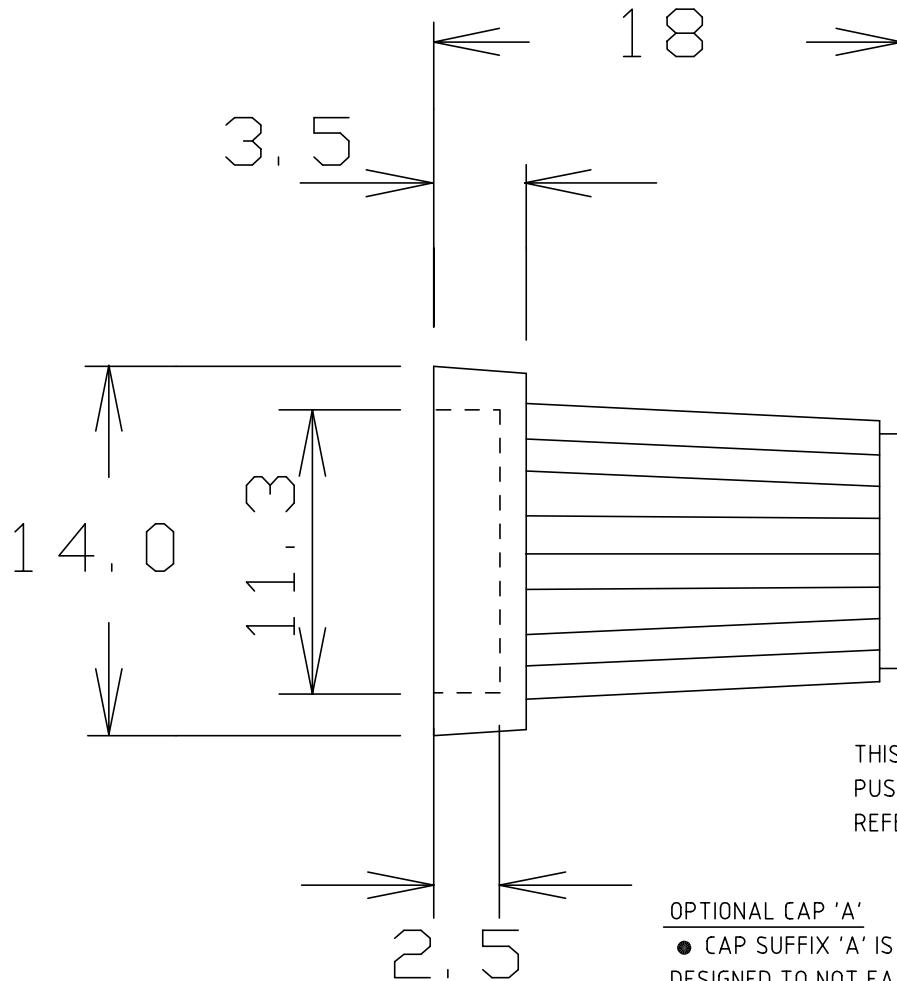
elektronikai alkatrész áruház

EN: This Datasheet is presented by the manufacturer.

Please visit our website for pricing and availability at www.hestore.hu.

| PART No. | DESCRIPTION |
|----------|----------------------------|
| CL17085 | K85 BLACK 4mm D |
| CL17086 | K85 GREY 4mm D |
| CL17094 | K85 BLACK 6mm D |
| CL17095 | K85 BLACK 6mm D ML |
| CL17096 | K85 GREY 6mm D |
| CL17097 | K85 BLACK 6mm SPLINE |
| CL170971 | K85 BLACK 6mm SPLINE ML |
| CL170974 | K85 GREY 6mm SPLINE |
| CL170976 | K85 TRANSLUCENT 6mm SPLINE |
| CL17098 | K85 BLACK 1/4" D |
| CL170981 | K85 BLACK 1/4" D ML |
| CL17099 | K85 BLACK 1/4" SPLINE |
| CL170995 | K85 GREY 1/4" D ML |

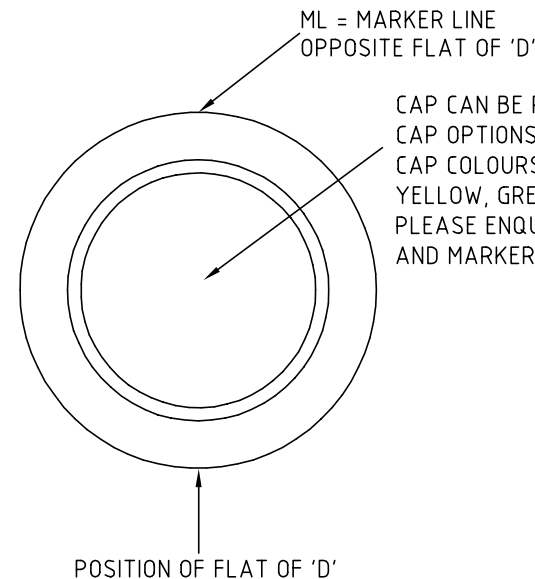
| ISS. | REVISION | DATE |
|------|------------------------|---------|
| 1 | 1st DRAWN | 14/08/9 |
| 2 | 'A' CAP ADD | 28/07/9 |
| 3 | CUSTOM NOTE | 12/02/9 |
| 4 | CL170976 WAS GREY1/4"D | 16/04/1 |



THIS KNOB ONLY MADE FOR PUSH FIXING.
REFER TO DATA FOR SIZES.

OPTIONAL CAP 'A'

● CAP SUFFIX 'A' IS SPECIAL EXTRA TIGHT VERSION, DESIGNED TO NOT EASILY TURN. (OEM SUPPLY ONLY)



CAP CAN BE PLACED IN ANY POSITION.
CAP OPTIONS: PLAIN / DOT / MARKER LINE.
CAP COLOURS: BLACK, WHITE, RED, BLUE, GREEN, YELLOW, GREY, ORANGE.
PLEASE ENQUIRE FOR CUSTOM COLOURS OF CAPS AND MARKERS, SUBJECT TO MOQ.



TOLERANCE

| | |
|-------------------------|--------|
| NO DEC. PLACE | ± 0.25 |
| 1 DEC. PLACE | ± 0.20 |
| 2 DEC. PLACE | ± |
| HOLE Ø | ± 0.10 |
| ANGLES | ± 1/2° |
| UNLESS OTHERWISE STATED | |

Cliff Electronic Components Ltd.

76 Holmethorpe Avenue, Holmethorpe Industrial Estate,
Redhill, Surrey, RH1 2PF, England, UK
Tel: 01737-771375 Fax: 01737-766012 Website: www.cliffuk.co.uk

THE CONTENTS OF THIS DOCUMENT MUST NOT BE COPIED OR DISCLOSED TO A 3rd PARTY WITHOUT WRITTEN PERMISSION OF CLIFF UK. © 1991

DIMENSIONS IN MILLIMETERS UNLESS OTHERWISE STATED. WORK TO DIMENSIONS. REMOVE ALL BURRS. IF IN DOUBT ASK.

3rd ANGLE PROJECTION:

DO NOT SCALE

MATERIAL: NYLON / ABS

TITLE: KNOB K85

FINISH: AS MOULDED - CLEAN

DRAWN: C.A.M.J.

APPROVED: R.W.T.

DRWG. No. **CL17085**

FORM: A4DRWC