



HESTORE.HU

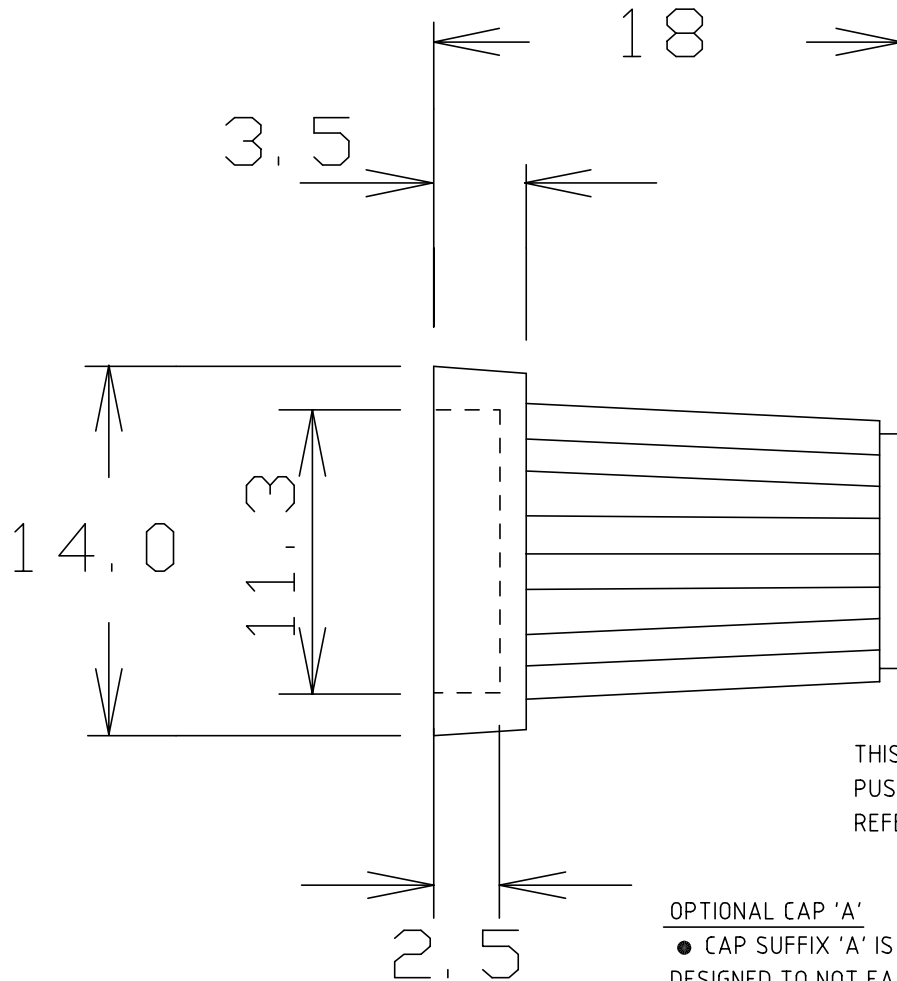
elektronikai alkatrész áruház

EN: This Datasheet is presented by the manufacturer.

Please visit our website for pricing and availability at www.hestore.hu.

PART No.	DESCRIPTION
CL17085	K85 BLACK 4mm D
CL17086	K85 GREY 4mm D
CL17094	K85 BLACK 6mm D
CL17095	K85 BLACK 6mm D ML
CL17096	K85 GREY 6mm D
CL17097	K85 BLACK 6mm SPLINE
CL170971	K85 BLACK 6mm SPLINE ML
CL170974	K85 GREY 6mm SPLINE
CL170976	K85 TRANSLUCENT 6mm SPLINE
CL17098	K85 BLACK 1/4" D
CL170981	K85 BLACK 1/4" D ML
CL17099	K85 BLACK 1/4" SPLINE
CL170995	K85 GREY 1/4" D ML

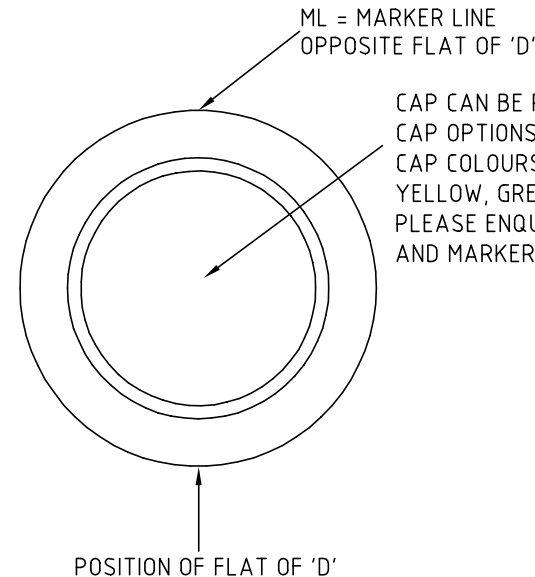
ISS.	REVISION	DATE
1	1st DRAWN	14/08/9
2	'A' CAP ADD	28/07/9
3	CUSTOM NOTE	12/02/9
4	CL170976 WAS GREY1/4"D	16/04/1



THIS KNOB ONLY MADE FOR PUSH FIXING.
REFER TO DATA FOR SIZES.

OPTIONAL CAP 'A'

● CAP SUFFIX 'A' IS SPECIAL EXTRA TIGHT VERSION, DESIGNED TO NOT EASILY TURN. (OEM SUPPLY ONLY)



TOLERANCE

NO DEC. PLACE ± 0.25
1 DEC. PLACE ± 0.20
2 DEC. PLACE ±
HOLE Ø ± 0.10
ANGLES ± 1/2°
UNLESS OTHERWISE STATED

Cliff Electronic Components Ltd.

76 Holmethorpe Avenue, Holmethorpe Industrial Estate,
Redhill, Surrey, RH1 2PF, England, UK
Tel: 01737-771375 Fax: 01737-766012 Website: www.cliffuk.co.uk

THE CONTENTS OF THIS DOCUMENT MUST NOT BE COPIED OR DISCLOSED TO A 3rd PARTY WITHOUT WRITTEN PERMISSION OF CLIFF UK. © 1991

DIMENSIONS IN MILLIMETERS UNLESS OTHERWISE STATED. WORK TO DIMENSIONS. REMOVE ALL BURRS. IF IN DOUBT ASK.

3rd ANGLE PROJECTION:

DO NOT SCALE

MATERIAL: NYLON / ABS

TITLE: KNOB K85

FINISH: AS MOULDED - CLEAN

DRWG. No. **CL17085**

DRAWN: C.A.M.J.

APPROVED: R.W.T.

FORM: A4DRWC