



HESTORE.HU

elektronikai alkatrész áruház

EN: This Datasheet is presented by the manufacturer.

Please visit our website for pricing and availability at www.hestore.hu.

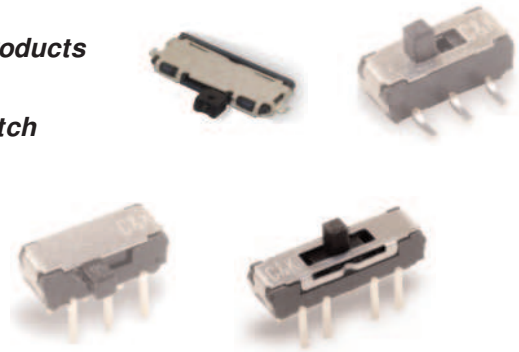
JS Series Sub-Miniature Slide Switches

Features/Benefits

- Positive detent
- Low profile
- IR reflow to 260° solder profile
- Surface and thru hole mounting
- SPDT, DPDT, DP3T models
- RoHS compliant

Typical Applications

- Telecommunication products
- Computer peripherals
- Thermostat select switch
- Instrumentations



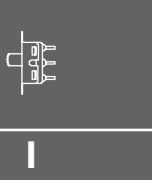
Specifications

CONTACT RATING: 6 VDC @0.3A
 ELECTRICAL LIFE: 5,000 make-and-break cycles
 CONTACT RESISTANCE: 70 m Ω max.
 INSULATION RESISTANCE: 100 M Ω min. @500V.
 DIELECTRIC STRENGTH: 500 VAC min. @sea level.
 OPERATING TEMPERATURE: -40°C to +85°C
 STORAGE TEMPERATURE: -40°C to +85°C

NOTE: Specifications and materials listed above are for switches with standard options.
 For information on specific and custom switches, consult Customer Service Center.

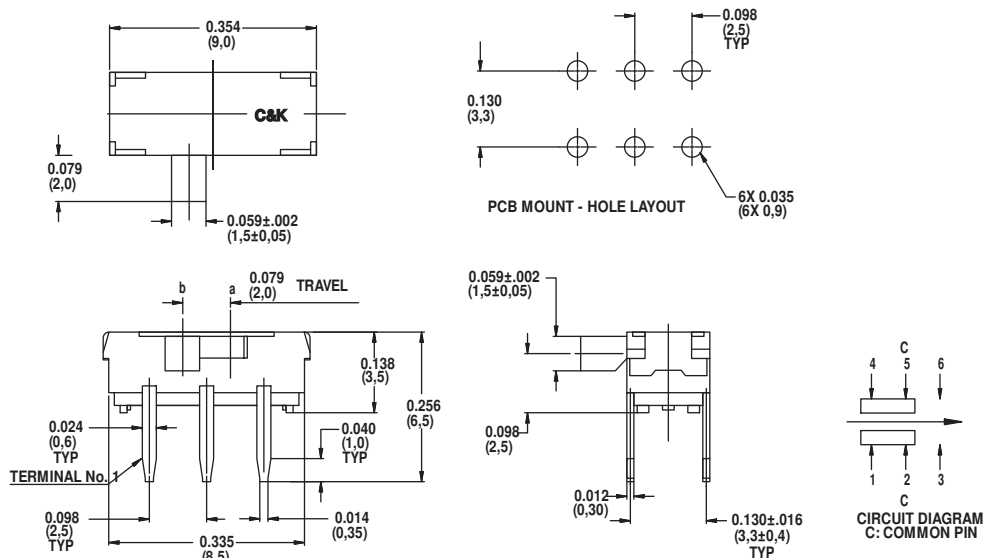
Materials

HOUSING: 4/6 nylon (UL94V-2), black.
 ACTUATOR: 4/6 nylon (UL94V-2), black (some options white).
 CONTACTS: Copper alloy, silver plated.
 TERMINALS: Brass, silver plated



Slide

RIGHT ANGLE, PC THRU-HOLE



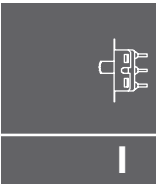
Part Number
JS202011AQN
DPDT

Shown in position b

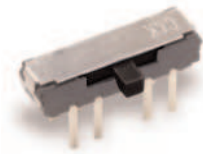
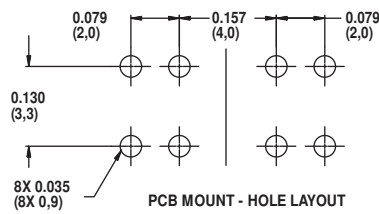
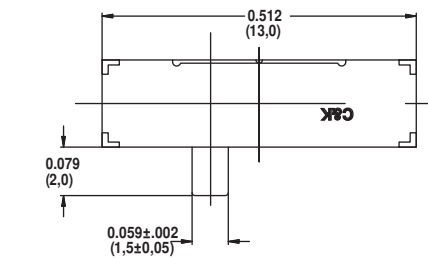
Shown in position b

JS Series Sub-Miniature Slide Switches

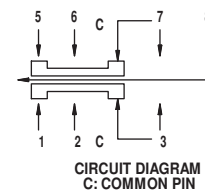
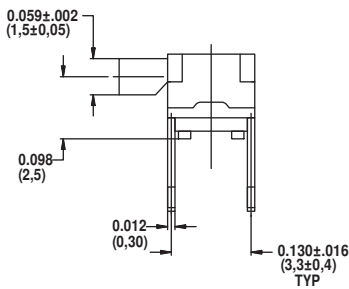
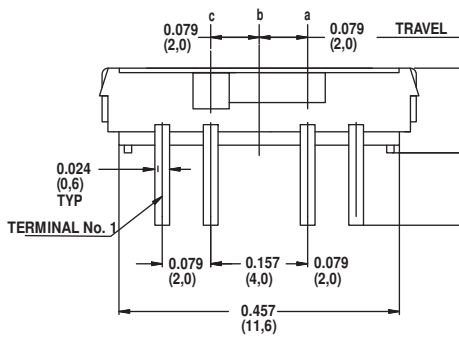
RIGHT ANGLE, PC THRU-HOLE



Slide



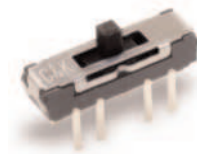
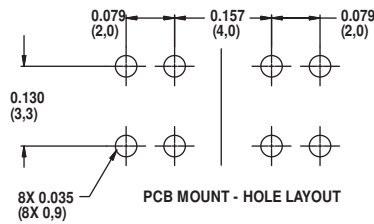
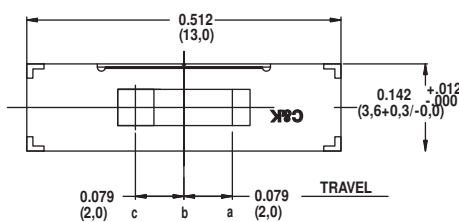
Part Number
JS203011AQN
DP3T



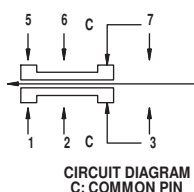
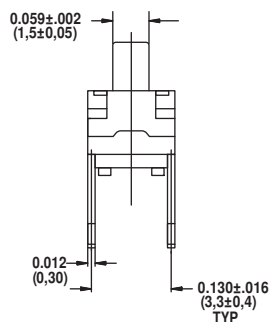
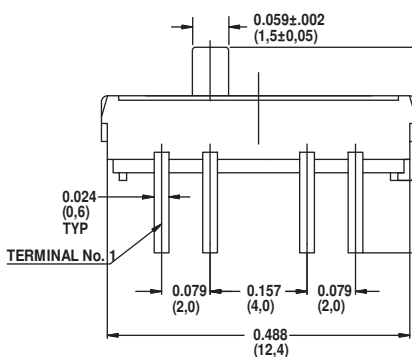
Shown in position b

Shown in position c

PC THRU-HOLE



Part Number
JS203011CQN
DP3T

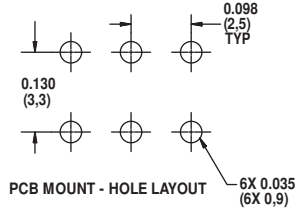
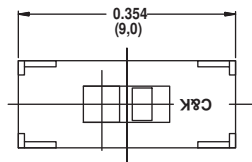


Shown in position b

Shown in position c

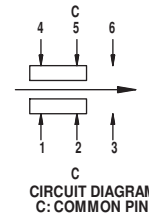
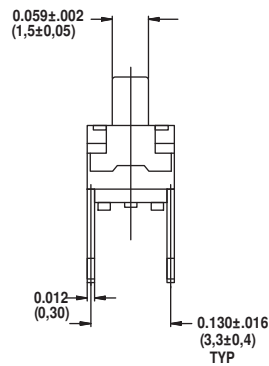
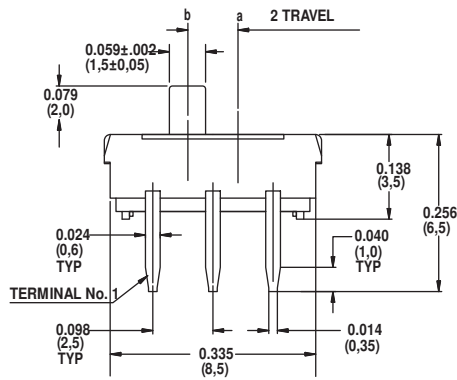
JS Series Sub-Miniature Slide Switches

PC THRU-HOLE

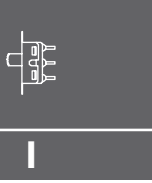


Part Number
JS202011CQN
DPDT

Shown in position a



Shown in position b



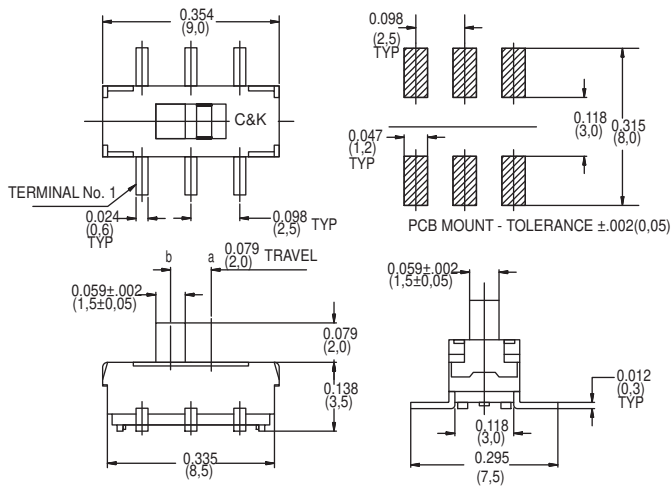
Slide

SURFACE MOUNT



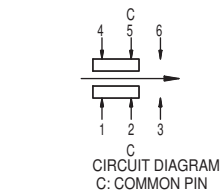
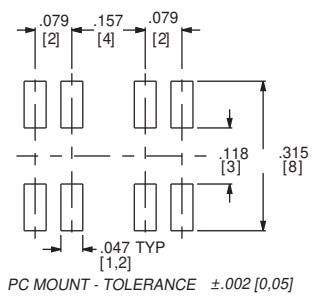
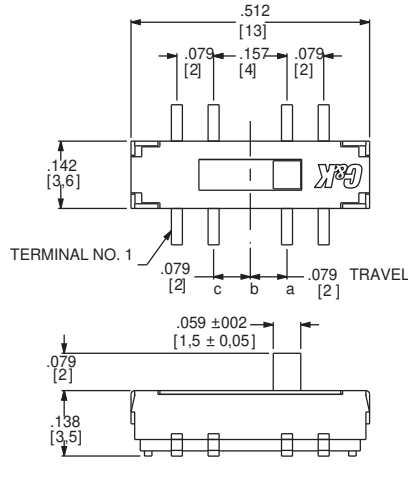
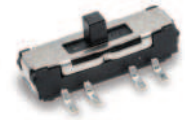
Part number
JS202011SCQN
DPDT

Shown in position b. Quantity per reel 1000
Available in tape & reel only, see page I-58

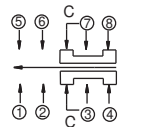


Part number
JS203011SCQN
DP3T

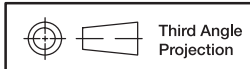
Quantity per reel 900
Available in tape & reel only, see page I-60



Shown in position b



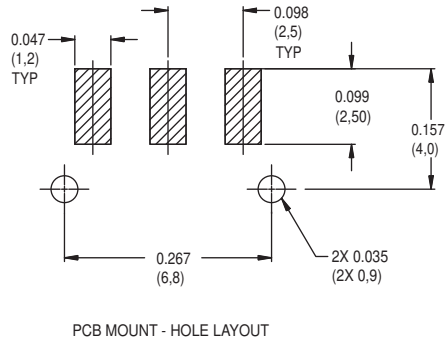
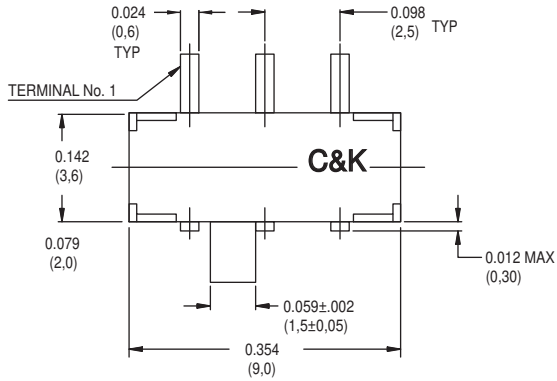
Shown in position a



Third Angle
Projection
Dimensions are shown: Inches (mm)
Specifications and dimensions subject to change

JS Series Sub-Miniature Slide Switches

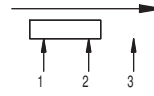
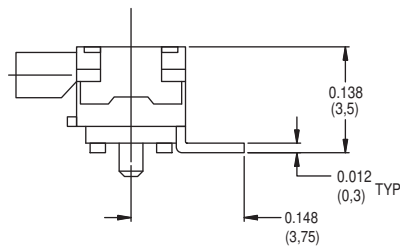
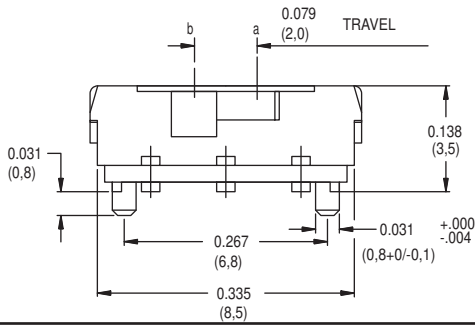
RIGHT ANGLE SURFACE MOUNT



Part Number
JS102011SAQN
SPDT

Shown in position a

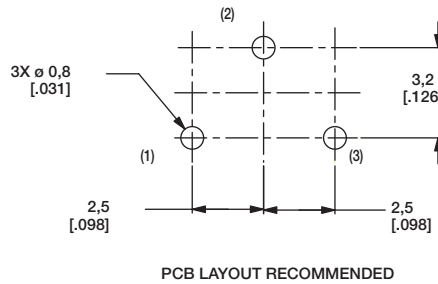
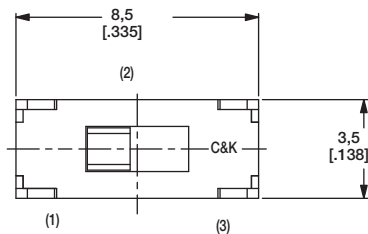
Available in tape & reel only, see page I-59



Shown in position b

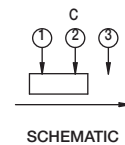
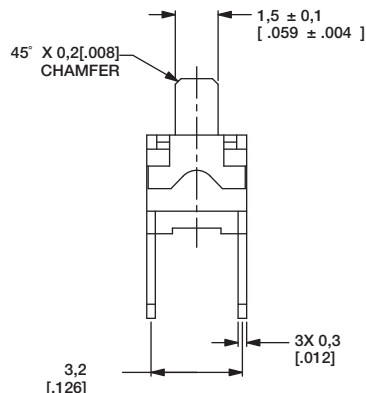
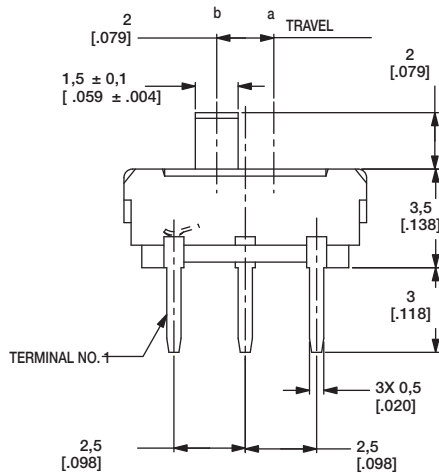
Slide

PC THRU-HOLE



Part Number
JS102011CQN
SPDT

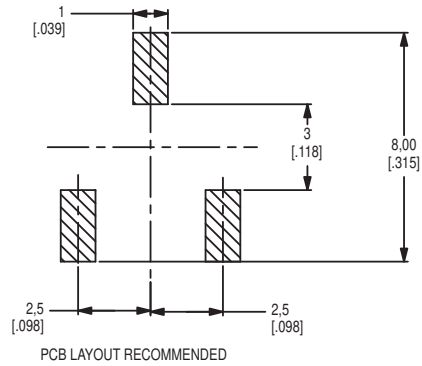
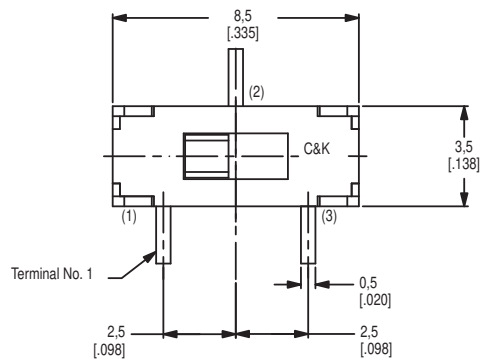
Shown in position a



Shown in position b

JS Series Sub-Miniature Slide Switches

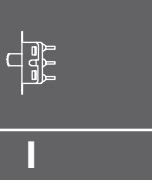
SURFACE MOUNT



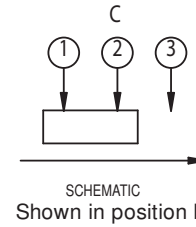
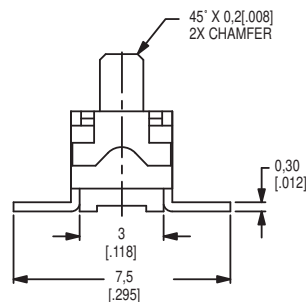
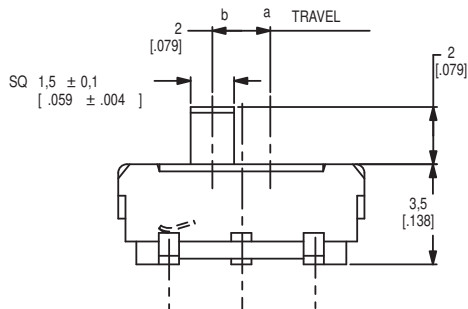
Part Number
JS102011SCQN
SPDT

Shown in position a

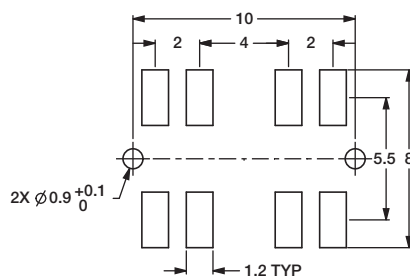
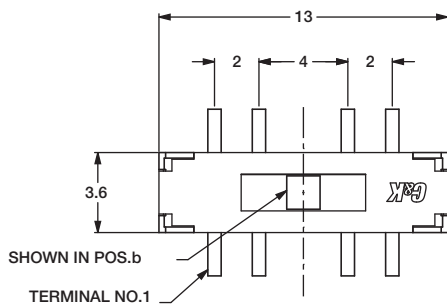
Available in tape & reel
only, see page I-59



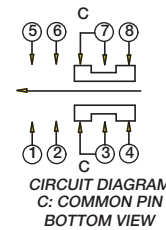
Slide



SURFACE MOUNT



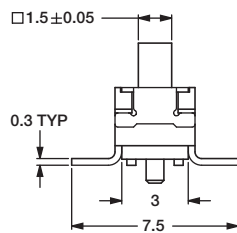
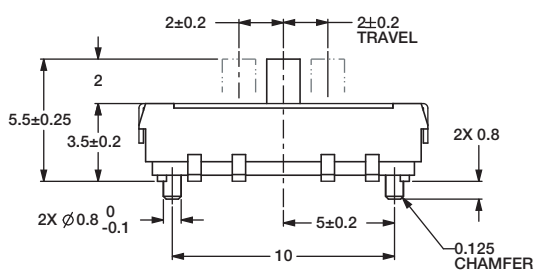
PC MOUNT - TOLERANCE ± .05



Part Number
JS207011SCQNR
DP3T

Shown in position b

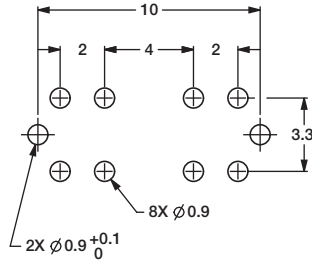
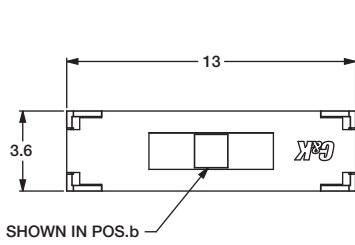
Available in tape & reel
only, see page I-58



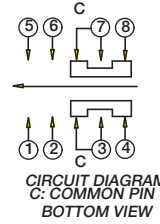
SWITCH FUNCTION		
POS.c	POS.b	POS.a
C&K	C&K	C&K
(MOM)	ON	ON
CONNECTED TERMINALS		
1-3,5-7	2-3,6-7	3-4,7-8

JS Series Sub-Miniature Slide Switches

PC THRU-HOLE



PC MOUNT - TOLERANCE $\pm .05$



CIRCUIT DIAGRAM
C: COMMON PIN
BOTTOM VIEW

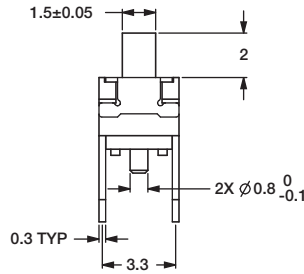
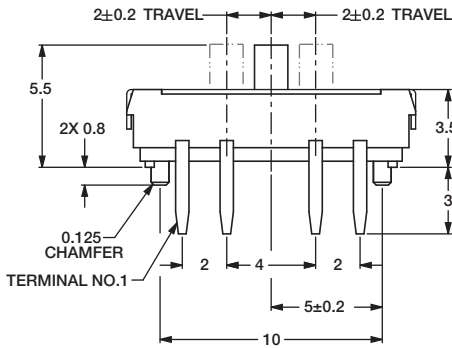
SWITCH FUNCTION		
POS.c	POS.b	POS.a
(MOM)	ON	ON
CONNECTED TERMINALS		
1-3,5-7	2-3,6-7	3-4,7-8



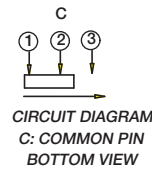
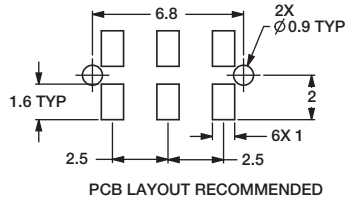
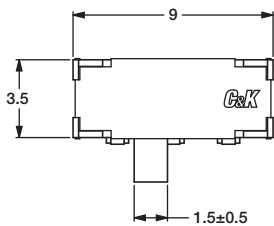
Part Number
JS207011CQNR
DP3T

Shown in position b

Slide



RIGHT ANGLE SURFACE MOUNT



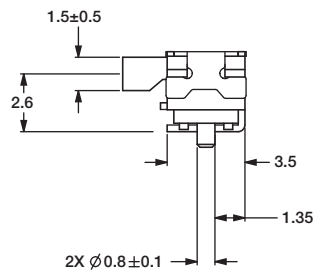
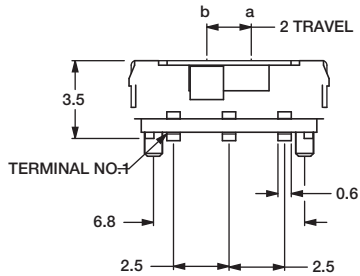
CIRCUIT DIAGRAM
C: COMMON PIN
BOTTOM VIEW



Part Number
JS102011JAQN
SPDT

Shown in position

Available in tape & reel
only, see page I-59

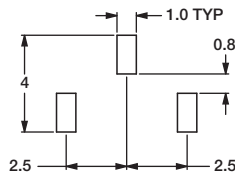
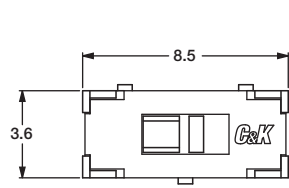


Third Angle
Projection

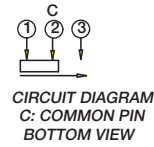
Dimensions are shown: mm
Specifications and dimensions subject to change

JS Series Sub-Miniature Slide Switches

VERTICAL MOUNT SMT - J BEND

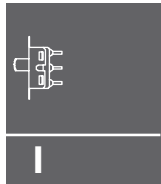


PCB LAYOUT RECOMMENDED

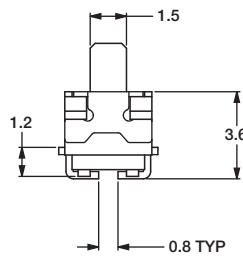
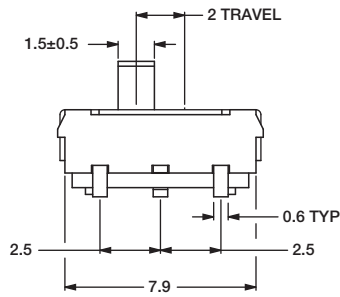


NEW
Part Number
JS102011JCQN
SPDT

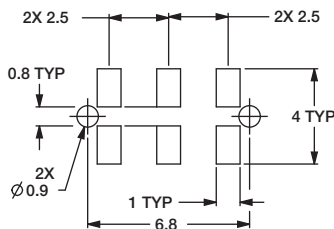
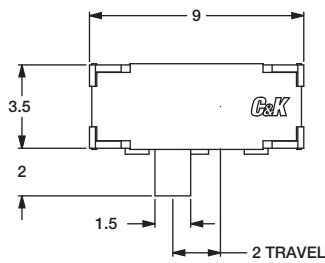
Available in tape & reel
only, see page I-59



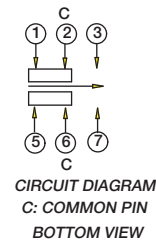
Slide



RIGHT ANGLE SURFACE MOUNT



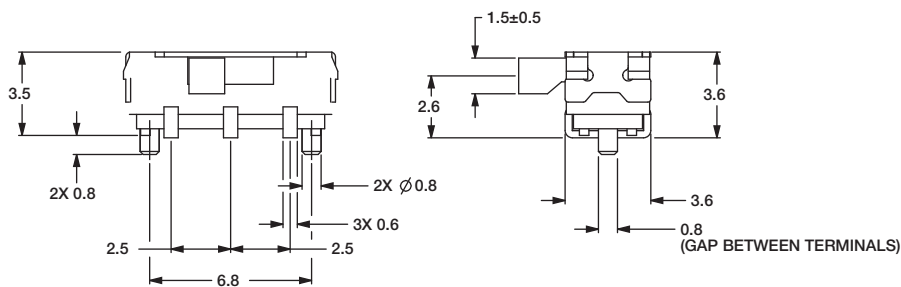
PCB LAYOUT RECOMMENDED



NEW
Part Number
JS202011JAQN
DPDT

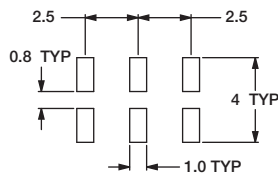
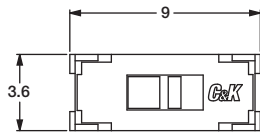
Shown in position

Available in tape & reel
only, see page I-61

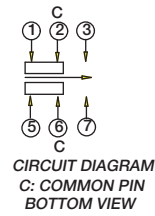


JS Series Sub-Miniature Slide Switches

VERTICAL MOUNT SMT - J BEND



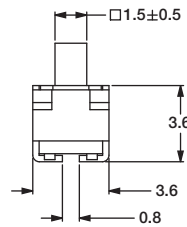
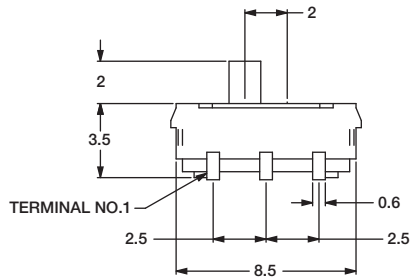
PCB LAYOUT RECOMMENDED



NEW

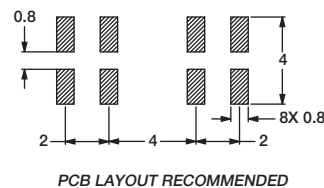
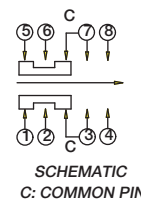
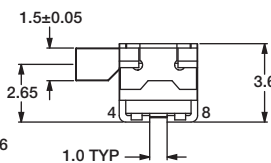
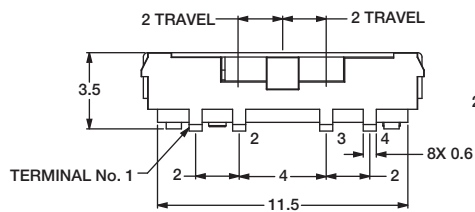
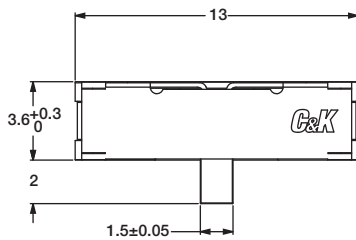
Part Number
JS202011JCQN
DPDT

Shown in position
Available in tape & reel
only, see page I-61



Slide

RIGHT ANGLE MOUNT SMT - J BEND



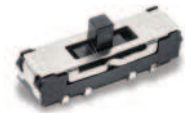
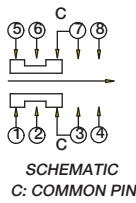
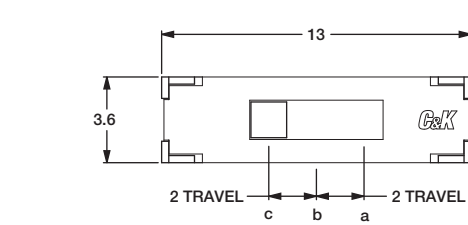
NEW

Part Number
JS203011JAQN
DP3T

Shown in position
Available in tape & reel
only, see page I-60

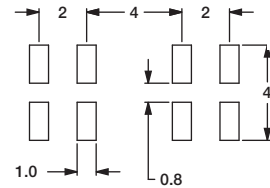
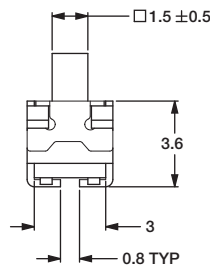
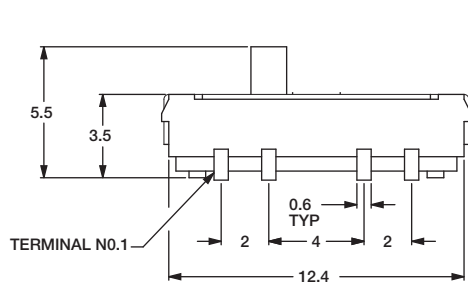
JS Series Sub-Miniature Slide Switches

VERTICAL MOUNT SMT - J BEND

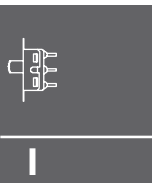


Part Number
JS203011JCQN
DP3T

Available in tape & reel
only, see page I-60

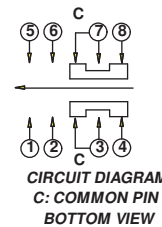
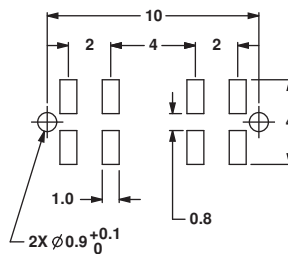
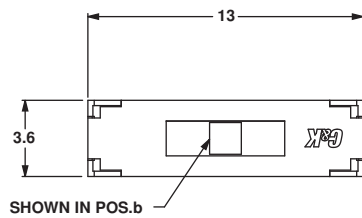


PCB LAYOUT RECOMMENDED



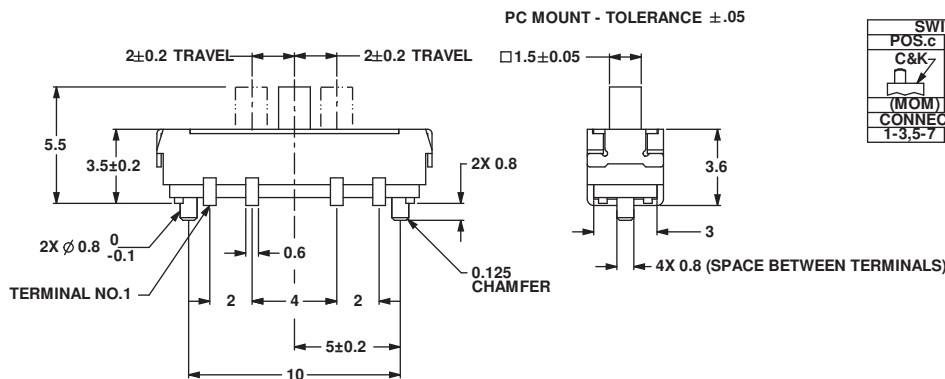
Side

SURFACE MOUNT - J BEND



Part Number
JS207011JCQNR
SP3T

Available in tape & reel
only, see page I-58



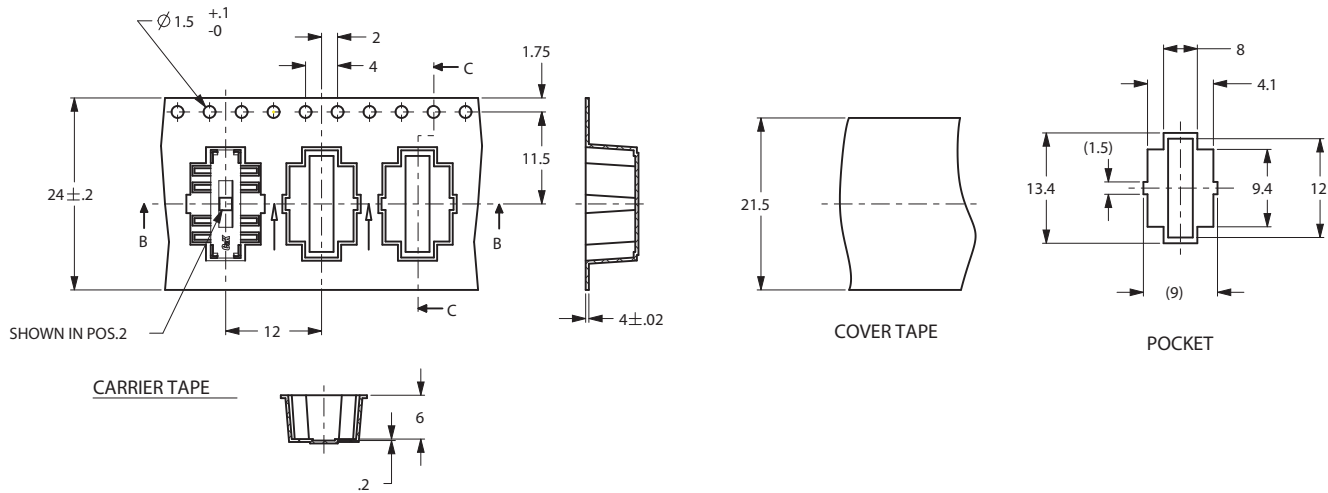
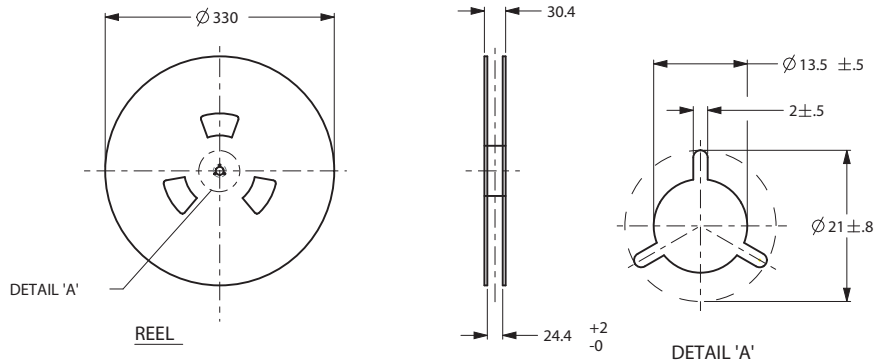
SWITCH FUNCTION		
POS.c	POS.b	POS.a
C&K	C&K	C&K
(MOM)	ON	ON
CONNECTED TERMINALS		
1-3,5-7	2-3,6-7	3-4,7-8

JS Series Sub-Miniature Slide Switches

TAPE AND REEL FOR PART NUMBER JS207011SCQNR, JS207011JCQNR

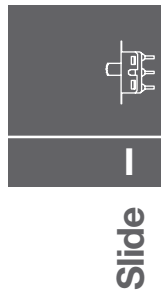
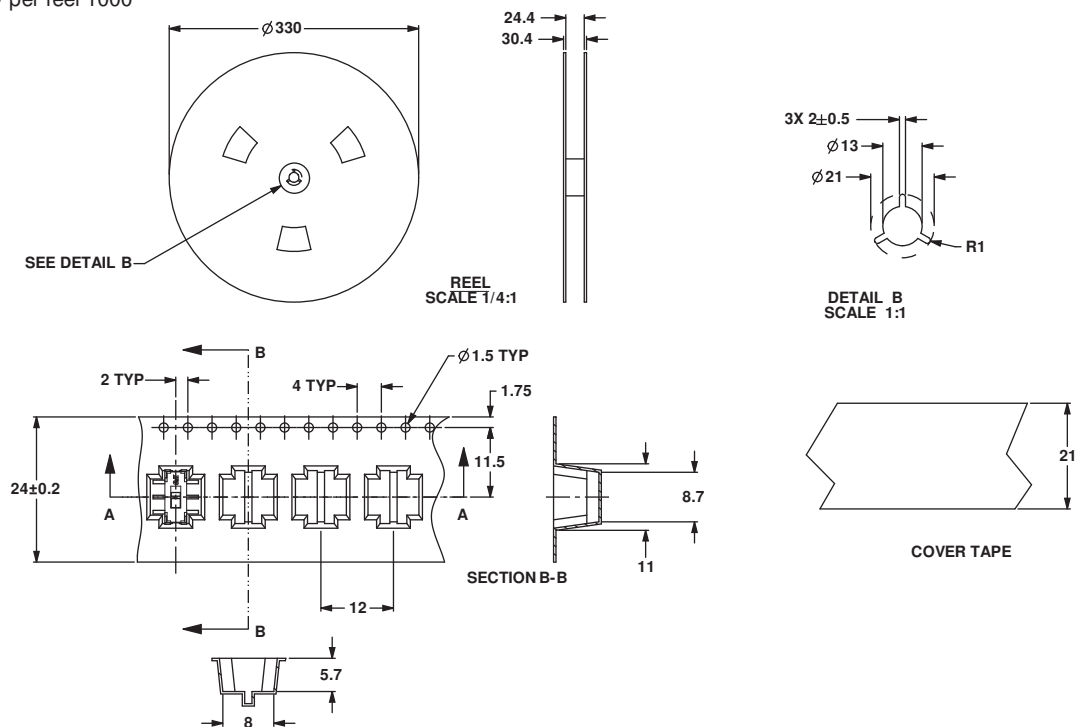
Quantity per reel 800

PACKING DETAIL 800 PCS



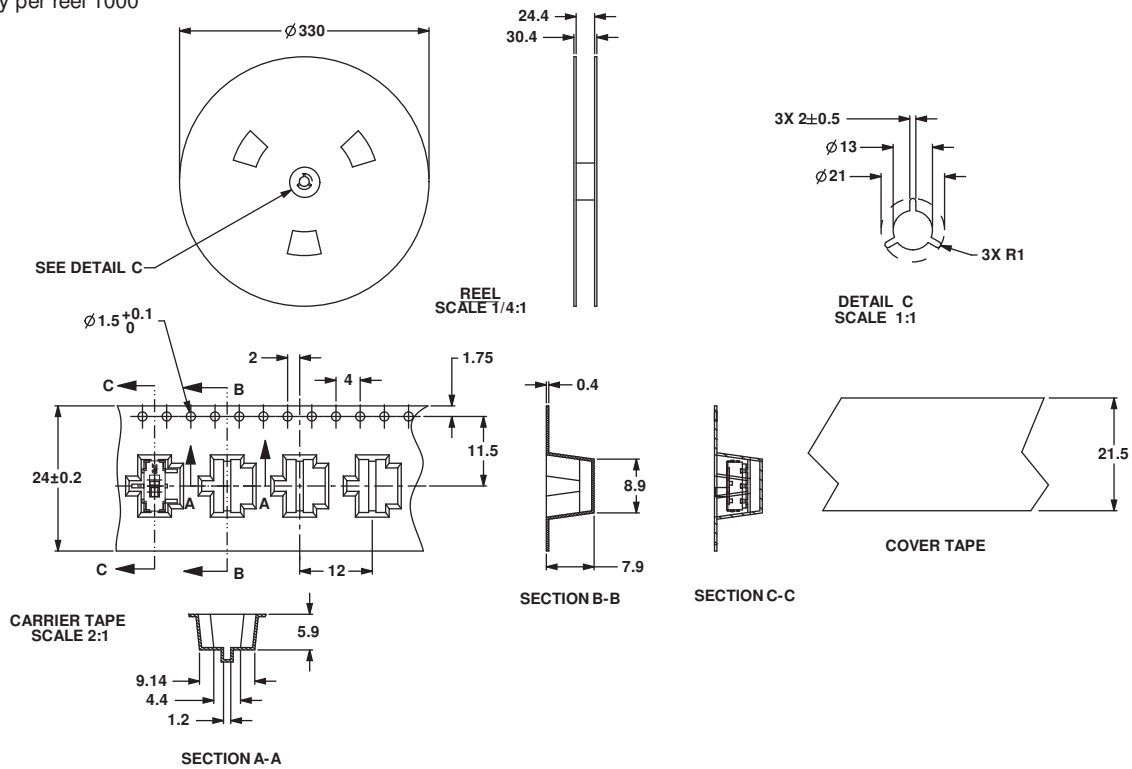
TAPE AND REEL FOR PART NUMBER JS202011SCQN

Quantity per reel 1000



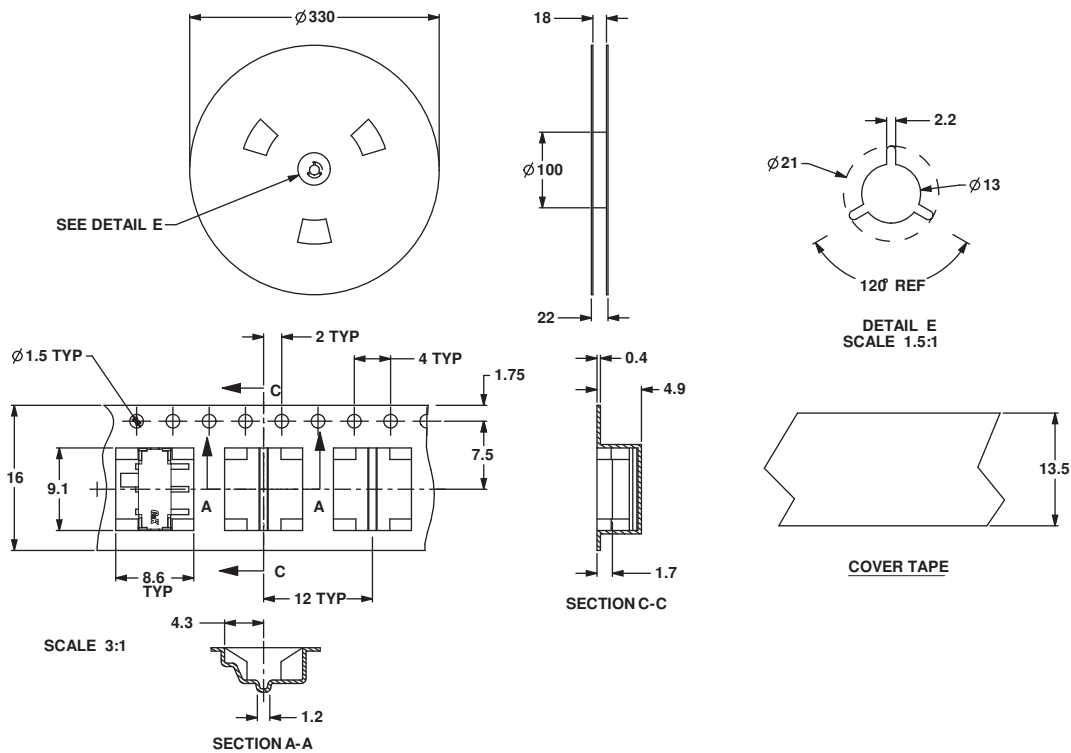
JS Series Sub-Miniature Slide Switches

TAPE AND REEL FOR
PART NUMBER JS102011SCQN, JS102011JCQN
 Quantity per reel 1000



TAPE AND REEL FOR PART NUMBER JS102011SAQN, JS102011JAQN

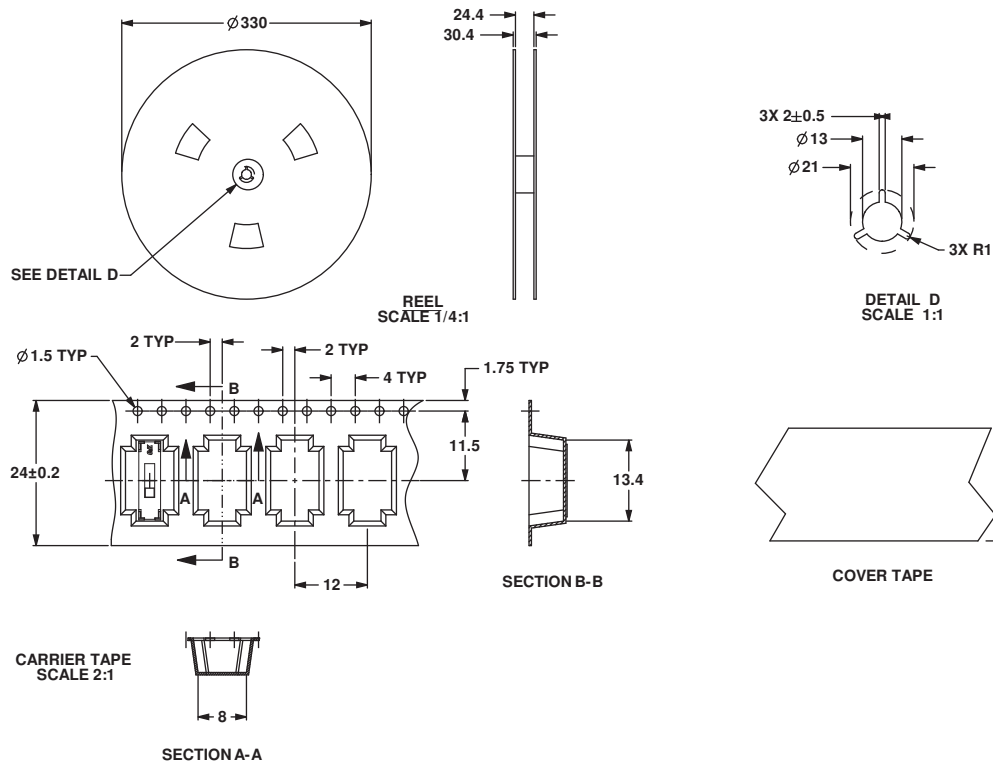
Quantity per reel 1000



Dimensions are shown: mm
 Specifications and dimensions subject to change

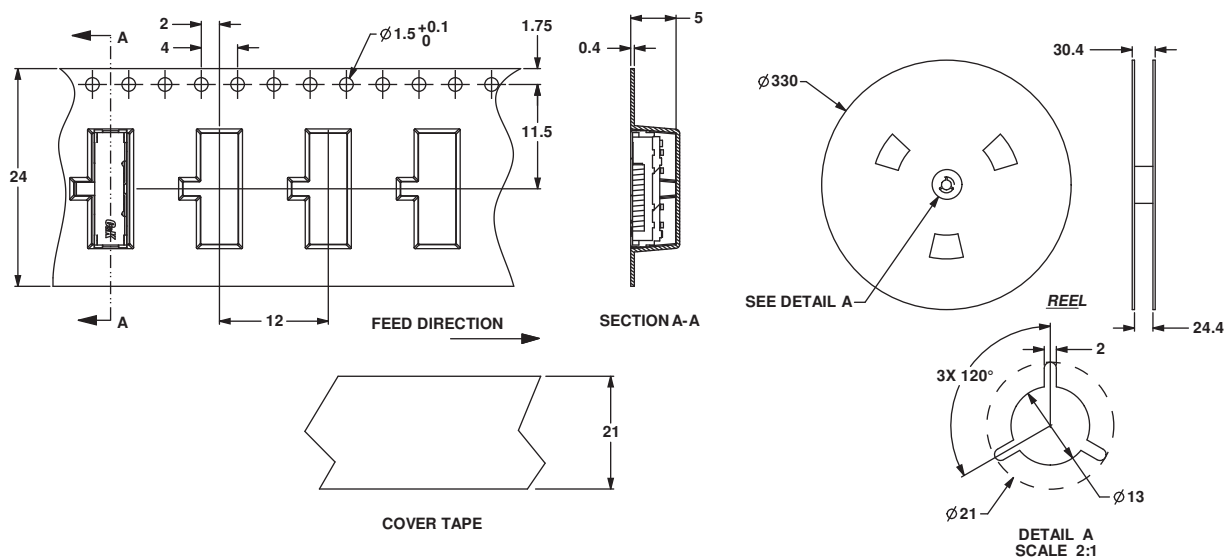
JS Series Sub-Miniature Slide Switches

TAPE AND REEL FOR PART NUMBER JS203011SCQN, JS203011JCQN
Quantity per reel 900



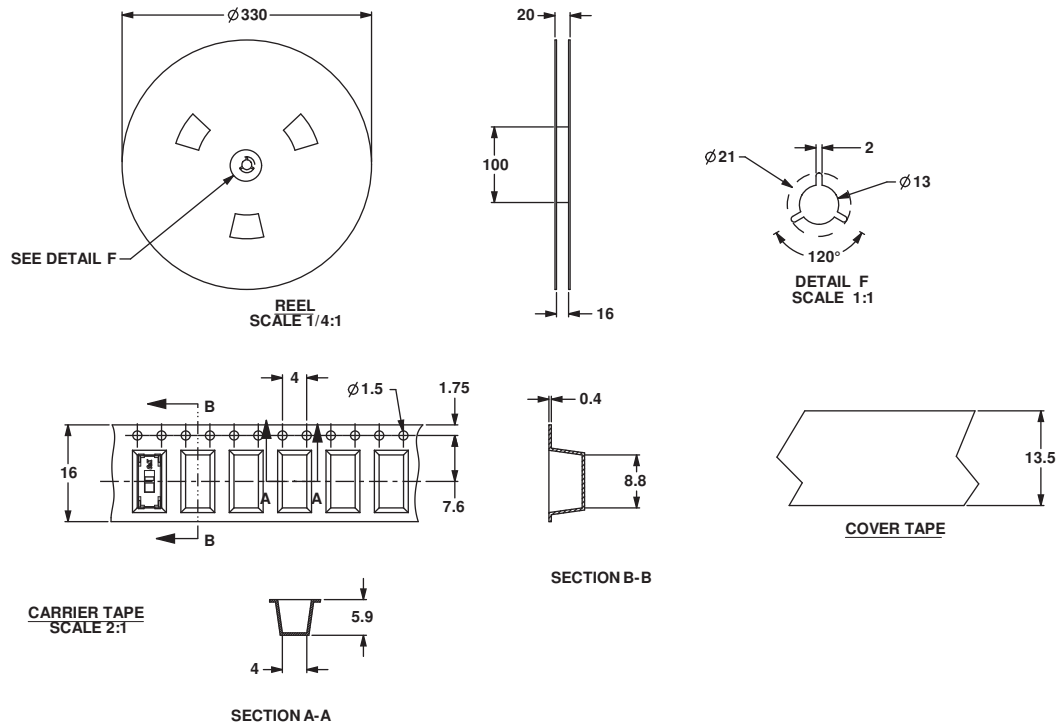
TAPE AND REEL FOR PART NUMBER JS203011JAQN

Quantity per reel 1000

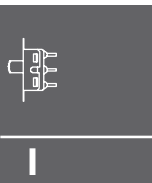
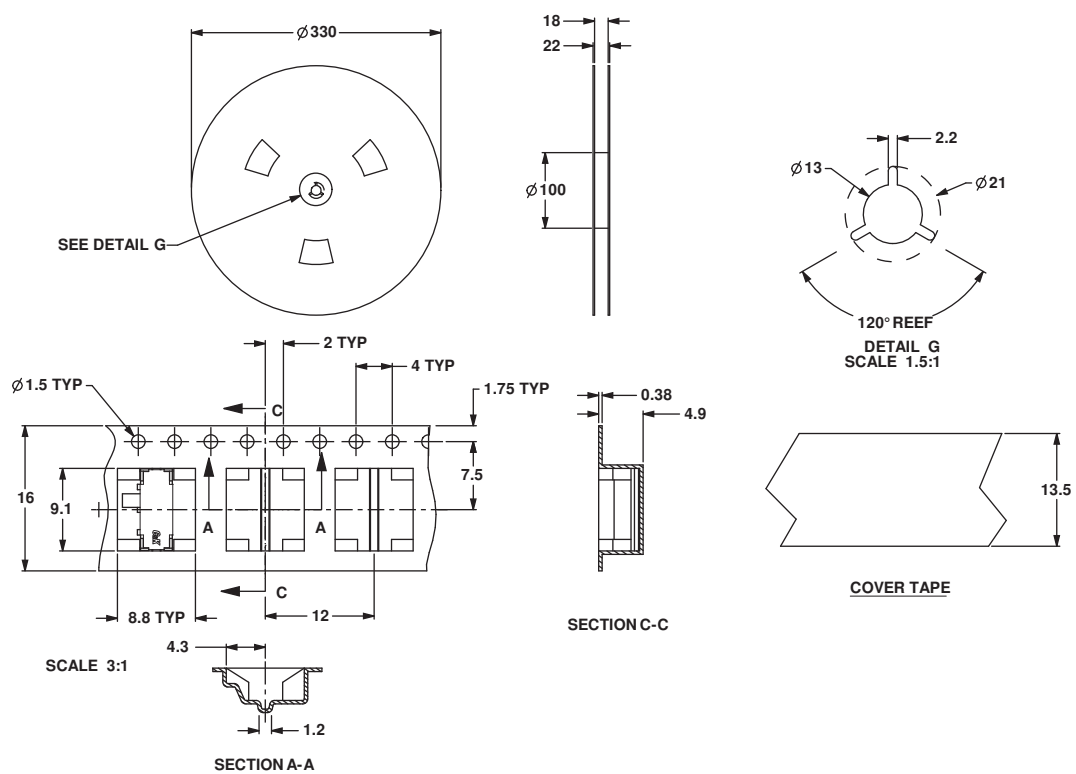


JS Series Sub-Miniature Slide Switches

TAPE AND REEL FOR
PART NUMBER JS202011JCQN
Quantity per reel 1300



TAPE AND REEL FOR PART NUMBER JS202011JAQN
Quantity per reel 1000



Side

JS Series Sub-Miniature Slide Switches

RIGHT ANGLE SURFACE MOUNT

LOW PROFILE .028±.004 (0.7±0.1) HIGH



Part Number
JS102000SAQN
SPDT

Specifications

CONTACT RATING: 5 VDC @ 1MA

ELECTRICAL LIFE: 15,000 cycles.

CONTACT RESISTANCE: <100 m ohms (initial) <200 m ohms (after processing).

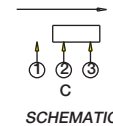
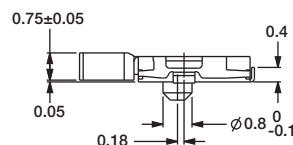
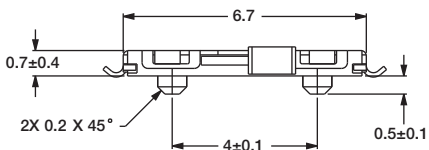
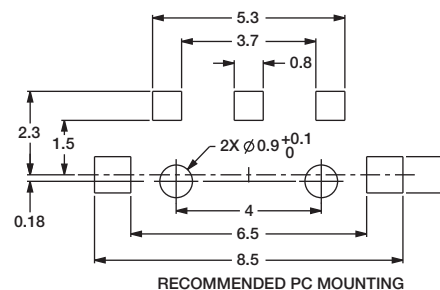
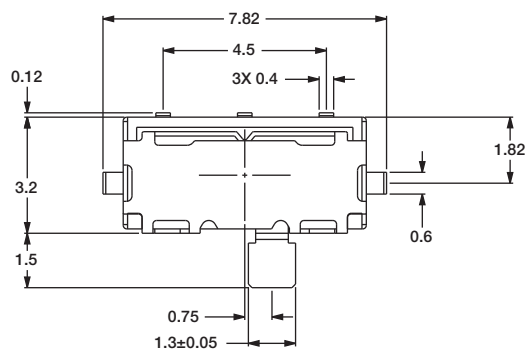
INSULATION RESISTANCE: 100 m ohms @500 VDC.

DIELECTRIC STRENGTH: 250 VAC.

OPERATING TEMPERATURE: -40°C to +85°C



Slide



TAPE AND REEL FOR PART NUMBER JS102000SAQN

Quantity per reel 4000

