



HESTORE.HU

elektronikai alkatrész áruház

EN: This Datasheet is presented by the manufacturer.

Please visit our website for pricing and availability at www.hestore.hu.

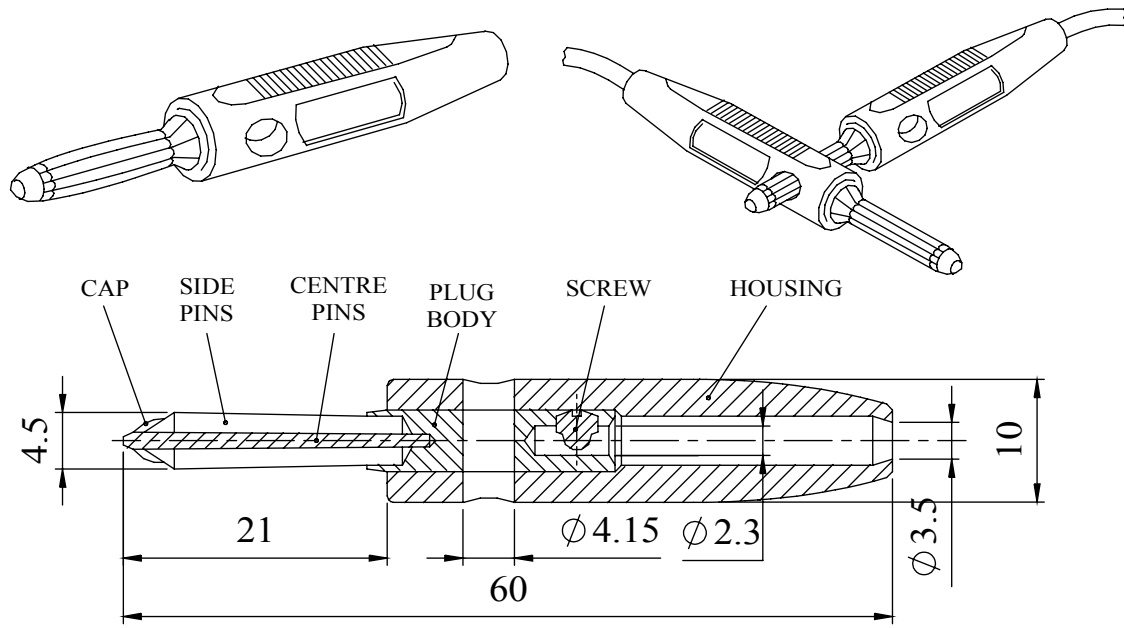
This side stackable plug has a screw connection for the lead wire and a push-on pliable PVC moulding. The conductor and outside diameter cable entry sizes are designed to suit PVC or silicone rubber flexible test cables up to 2,5mm².

MATERIAL

CAP : Brass
 SIDE PINS : Brass
 CENTRE PIN : Brass
 PLUG BODY : Brass
 HOUSING : PVC 36/20(000-050-0000)
 SCREW : Brass, M3,5x0,6
 PLATING - BRIGHT NICKEL Over Copper

RATING : 16 Amps
 RATED VOLTAGE: 50V

Dimensions



COLOUR	ORDER CODE
BLACK	555-0100
BLUE	555-0200
BROWN	555-0300
GREEN	555-0400
RED	555-0500
WHITE	555-0600
YELLOW	555-0700

BUNCH PIN SIDE STACKABLE PLUG

Tel No. +44(0)1724 273200 Website www.dem-uk.com



PROPRIETARY AND CONFIDENTIAL
 THE INFORMATION CONTAINED IN THIS DRAWING IS THE SOLE PROPERTY OF ALPHA 3 MANUFACTURING.
 ANY REPRODUCTION IN PART OR AS A WHOLE WITHOUT THE WRITTEN PERMISSION OF ALPHA 3 MANUFACTURING IS PROHIBITED.

DEM Manufacturing, Deltron Emcon House
 Hargreaves Way, Sawcliffe Ind. Park,
 Scunthorpe, North Lincolnshire, DN15 8RF, UK

UNLESS OTHERWISE SPECIFIED:
 DIMENSIONS ARE IN MILLIMETRES
 LINEAR TOLERANCE:
NO DECIMAL PLACES ±0.5mm
1 DECIMAL PLACE ±0.25mm
2 DECIMAL PLACES ±0.125mm
ANGULAR TOLERANCE: ±1°

FINISH SEE NOTE
 DEBURR AND BREAK SHARP EDGES
 IF IN DOUBT ASK DO NOT SCALE DRAWING
 MATERIAL SEE NOTE

DRAWN BY SPB
 APPROVED BY WC
 THIRD ANGLE PROJECTION
 SHEET 1 OF 1
 SCALE 1:1
 A4

TITLE GENERAL SPECIFICATION
 555 SERIES
BUNCH PIN SIDE STACKABLE PLUG
 DRAWING NO. 555 SERIES
 ISSUE **07**
 Release