

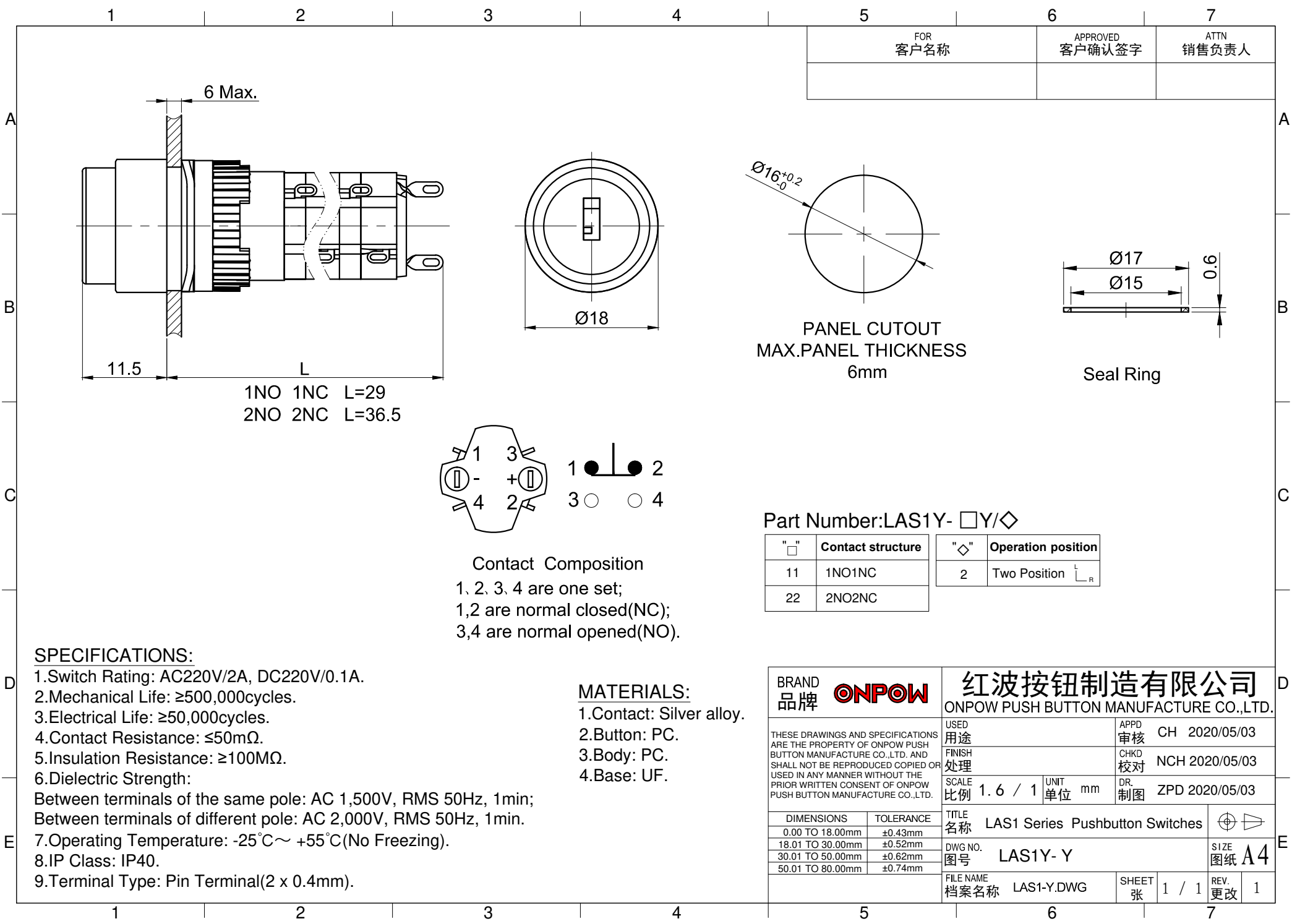


HESTORE.HU

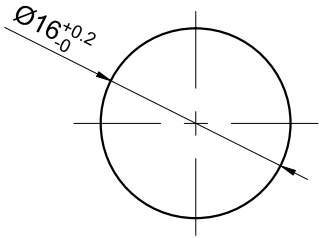
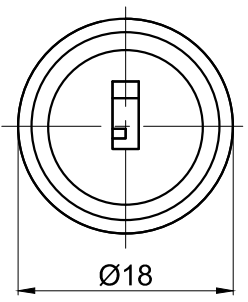
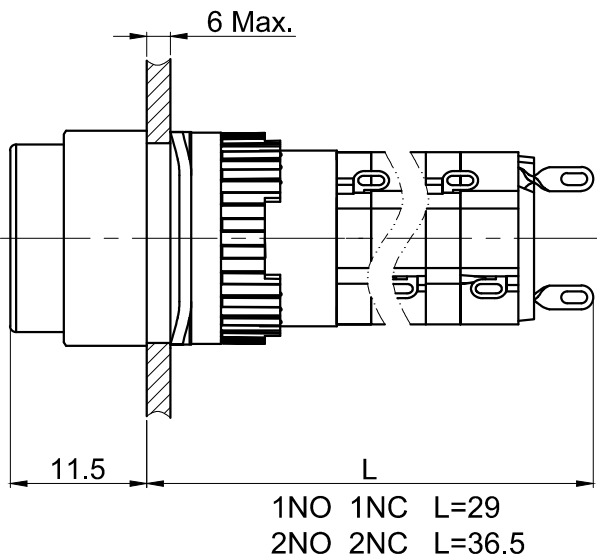
elektronikai alkatrész áruház

EN: This Datasheet is presented by the manufacturer.

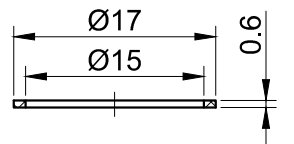
Please visit our website for pricing and availability at www.hestore.hu.



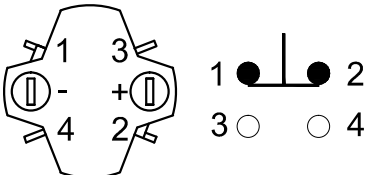
| | | |
|-------------|--------------------|---------------|
| FOR 客户名称 | APPROVED 客户确认签字 | ATTN 销售负责人 |
| | | |



PANEL CUTOUT
MAX.PANEL THICKNESS
6mm



Seal Ring



Contact Composition
1, 2, 3, 4 are one set;
1,2 are normal closed(NC);
3,4 are normal opened(NO).

Part Number: LAS1Y- □Y/◇

| "□" | Contact structure | "◇" | Operation position |
|-----|-------------------|-----|---|
| 11 | 1NO1NC | 2 | Two Position $\begin{matrix} L \\ R \end{matrix}$ |
| 22 | 2NO2NC | | |

SPECIFICATIONS:

- 1.Switch Rating: AC220V/2A, DC220V/0.1A.
- 2.Mechanical Life: ≥500,000cycles.
- 3.Electrical Life: ≥50,000cycles.
- 4.Contact Resistance: ≤50mΩ.
- 5.Insulation Resistance: ≥100MΩ.
- 6.Dielectric Strength:
Between terminals of the same pole: AC 1,500V, RMS 50Hz, 1min;
Between terminals of different pole: AC 2,000V, RMS 50Hz, 1min.
- 7.Operating Temperature: -25°C~ +55°C(No Freezing).
- 8.IP Class: IP40.
- 9.Terminal Type: Pin Terminal(2 x 0.4mm).

- MATERIALS:**
- 1.Contact: Silver alloy.
 - 2.Button: PC.
 - 3.Body: PC.
 - 4.Base: UF.

| | | |
|---|---|---------------------------|
| BRAND 品牌 ONPOW THESE DRAWINGS AND SPECIFICATIONS ARE THE PROPERTY OF ONPOW PUSH BUTTON MANUFACTURE CO.,LTD. AND SHALL NOT BE REPRODUCED COPIED OR USED IN ANY MANNER WITHOUT THE PRIOR WRITTEN CONSENT OF ONPOW PUSH BUTTON MANUFACTURE CO.,LTD. | 红波按钮制造有限公司 ONPOW PUSH BUTTON MANUFACTURE CO.,LTD. | |
| | USED 用途 | APPD 审核 CH 2020/05/03 |
| | FINISH 处理 | CHKD 校对 NCH 2020/05/03 |
| | SCALE 比例 1.6 / 1 | UNIT 单位 mm |
| DR. 制图 ZPD 2020/05/03 | TITLE 名称 LAS1 Series Pushbutton Switches | |
| DIMENSIONS 0.00 TO 18.00mm ±0.43mm 18.01 TO 30.00mm ±0.52mm 30.01 TO 50.00mm ±0.62mm 50.01 TO 80.00mm ±0.74mm | DWG NO. 图号 LAS1Y- Y | SIZE 图纸 A4 |
| FILE NAME 档案名称 LAS1-Y.DWG | SHEET 张 1 / 1 | REV. 更改 1 |