



HESTORE.HU

elektronikai alkatrész áruház

EN: This Datasheet is presented by the manufacturer.

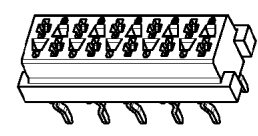
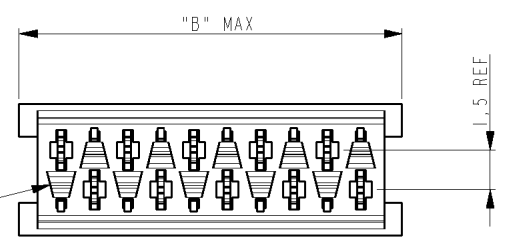
Please visit our website for pricing and availability at www.hestore.hu.

THIS DRAWING IS UNPUBLISHED. RELEASED FOR PUBLICATION
 BY TYCO ELECTRONICS CORPORATION. ALL RIGHTS RESERVED.

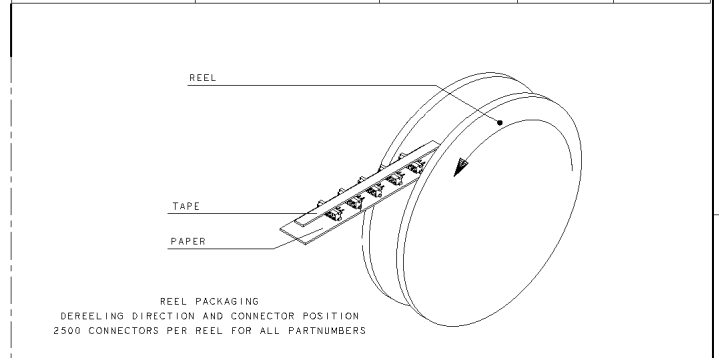
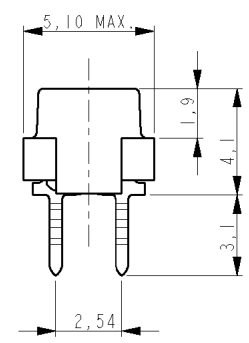
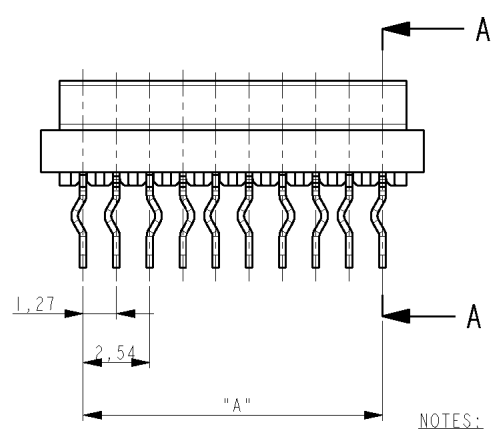
LOC H DIST -

REVISIONS

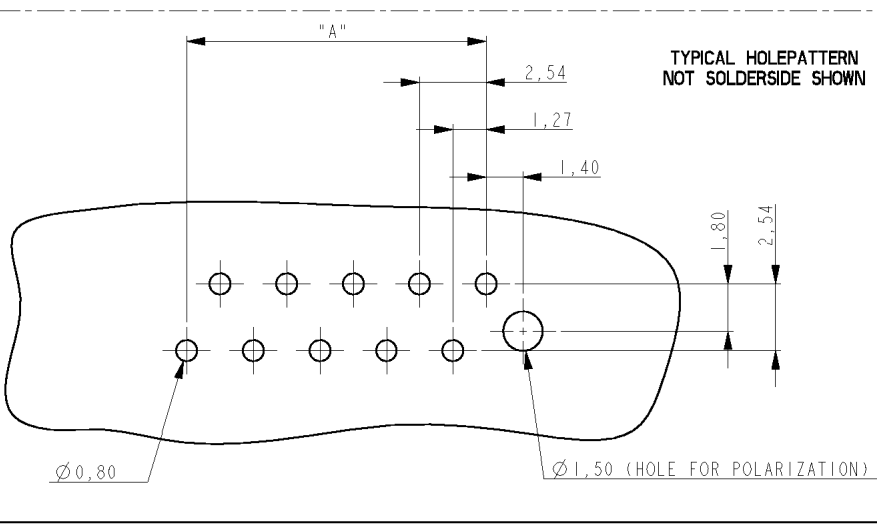
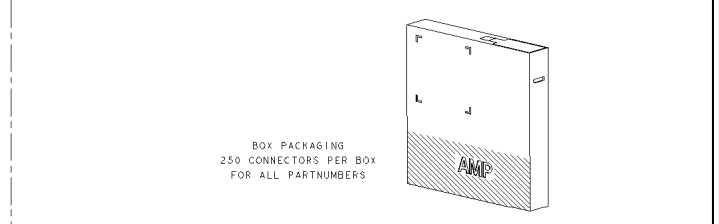
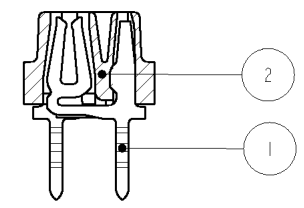
P	LTR	DESCRIPTION	DATE	DWN	APVD
T		EH00-0846-00	04 AUG 00	MG	MG
U		EH01-0893-03	29 JUL 03	PW	PJ
-	-	-	-	-	-



PARTNUMBER	PARTNUMBER	NUMBER OF POSITIONS	"A"	"B" MAX.
7-215079-4	0-215079-4	4	3,81	7,1
7-215079-6	0-215079-6	6	6,35	9,7
7-215079-8	0-215079-8	8	8,89	12,2
8-215079-0	1-215079-0	10	11,43	14,7
8-215079-2	1-215079-2	12	13,97	17,3
8-215079-4	1-215079-4	14	16,51	19,8
8-215079-6	1-215079-6	16	19,05	22,4
8-215079-8	1-215079-8	18	21,59	24,9
9-215079-0	2-215079-0	20	24,13	27,4



NOTES:
 △ DIRECTION OF KINK IS OPTIONAL
 △ CORING CUTS ARE OPTIONAL
 3 1-215079-0 AS DRAWN



ITEM NO.	DESCRIPTION	MATERIAL	FINISH
2	FEMALE HOUSING	PBT 20 % G.F.	
1	FEMALE CONTACT	PHOSFOR BRONZE	LEAD FREE TIN

THIS DRAWING IS A CONTROLLED DOCUMENT FOR TYCO ELECTRONICS CORPORATION IT IS SUBJECT TO CHANGE AND THE CONTROLLING ENGINEERING ORGANIZATION SHOULD BE CONTACTED FOR THE LATEST REVISION.

DIMENSIONS: mm	TOLERANCES UNLESS OTHERWISE SPECIFIED: 0 PLC ±- 1 PLC ±- 2 PLC ±- 3 PLC ±- 4 PLC ±- ANGLES ±-
MATERIAL	FINISH

DWN M. GOSSELINK
 CHR -
 APVD -
 PRODUCT SPEC -
 APPLICATION SPEC -
 WEIGHT -
 CUSTOMER DRAWING

tyco Electronics TYCO ELECTRONICS NEDERLAND B.V.
 's-HERTOGENBOSCH, THE NETHERLANDS

NAME: Micro-MatCh FEMALE ON BOARD CONNECTOR

SIZE: A3 CAGE CODE: 00779 DRAWING NO: C=215079 RESTRICTED TO: -

SCALE: 5:1 SHEET: 1 OF 1 REV: U