

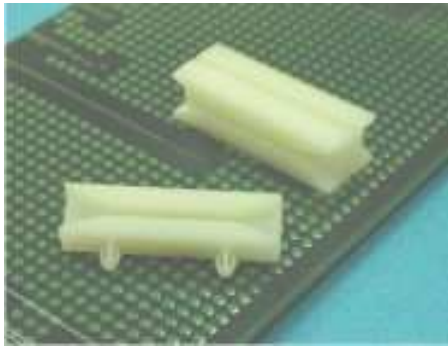


**HESTORE.HU**

elektronikai alkatrész áruház

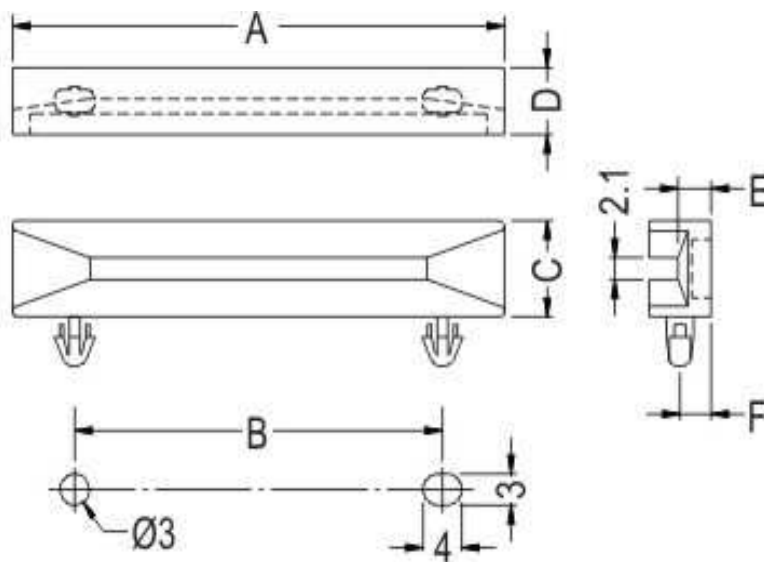
**EN:** This Datasheet is presented by the manufacturer.

Please visit our website for pricing and availability at [www.hestore.hu](http://www.hestore.hu).



- ◆ MATERIAL: NYLON 66 (UL)
- ◆ FLAME CLASS: 94V-2
- ◆ COLOR: NATURAL
- ◆ UNIT: mm

PART NO	A	B	C	D	E	F	P.C.B THICKNESS	PACKAGE
CGLA-(8)	81.0	60.0	8.0	6.0	3.0	3.0	1.8	250
CGLA-4	38.4	20.0	9.2	6.4	3.4	3.2	1.6~1.7	500
CGLA-4(1)	38.4	20.0	9.2	6.4	3.4	3.2	1.0	500
CGLA-4(2)	38.4	20.0	9.2	6.4	3.4	3.2	2.0	500
CGLA-4S	40	20.0	8.0	6.0	3.0	3.0	1.6	500
CGLA-6	51	38.2	9.2	6.4	3.4	3.2	1.6~1.7	500
CGLA-8	81	60.0	8.0	6.0	3.0	3.0	1.6~1.8	250
CGLA-8(2)	81	60.0	8.0	6.0 <td 3.0	3.0	1.8~2.1	250	
CGLA-8(25)	81	60.0	8.0	6.0	3.0	3.0	2.5	250
CGLA-9(1)	91.5	71	8.0	6.0	3.0	3.0	1.6~1.8	250
CGLA-9(2)	91.5	71	8.0	6.0	3.0	3.0	1.8~2.1	250



MOUNTING HOLES