

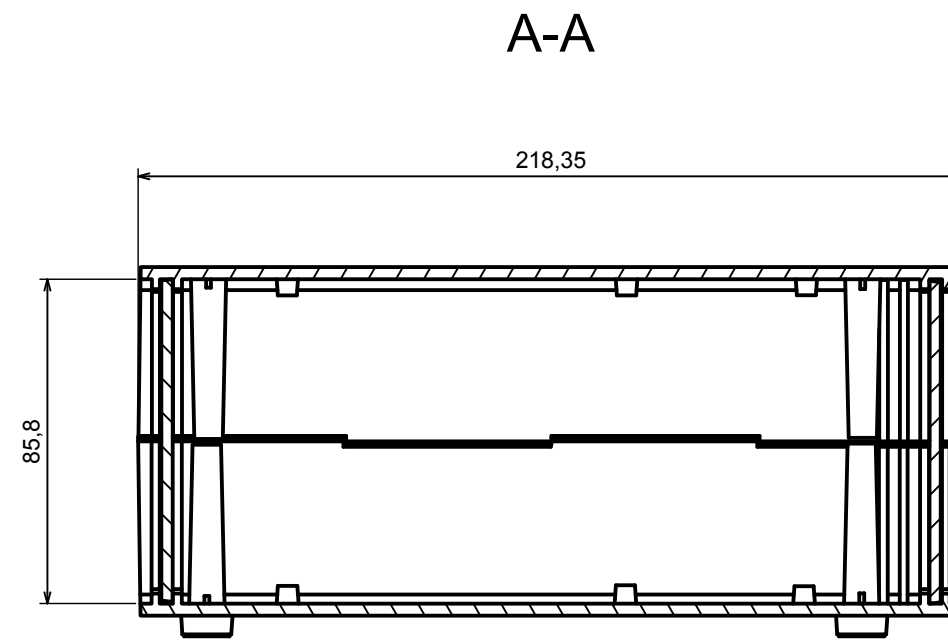
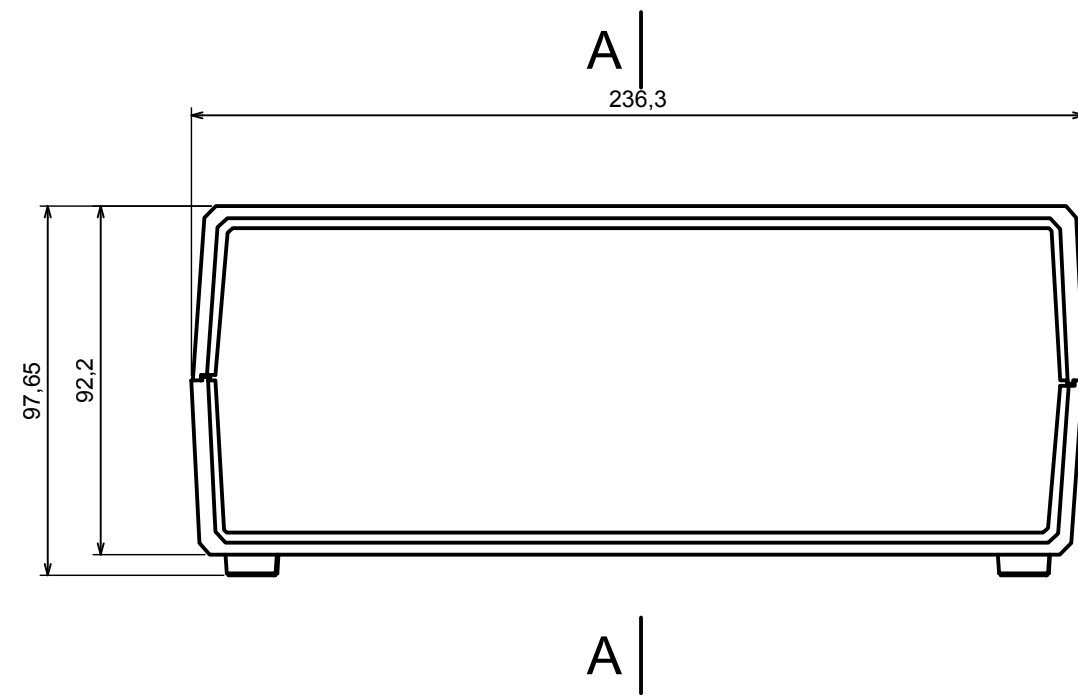



HESTORE.HU

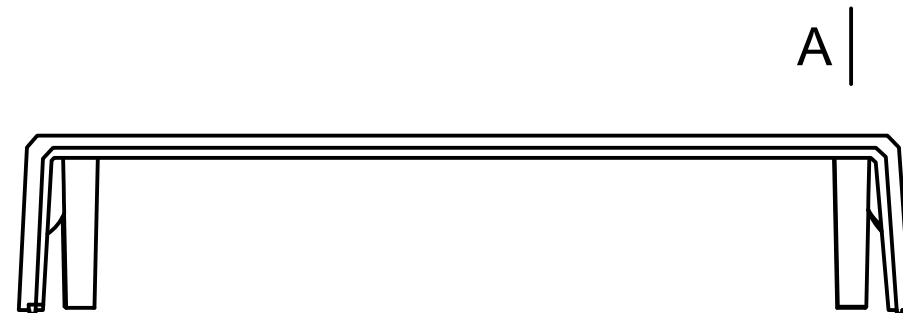
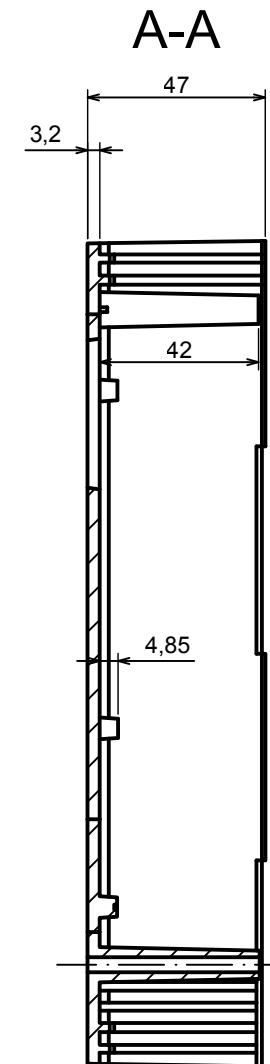
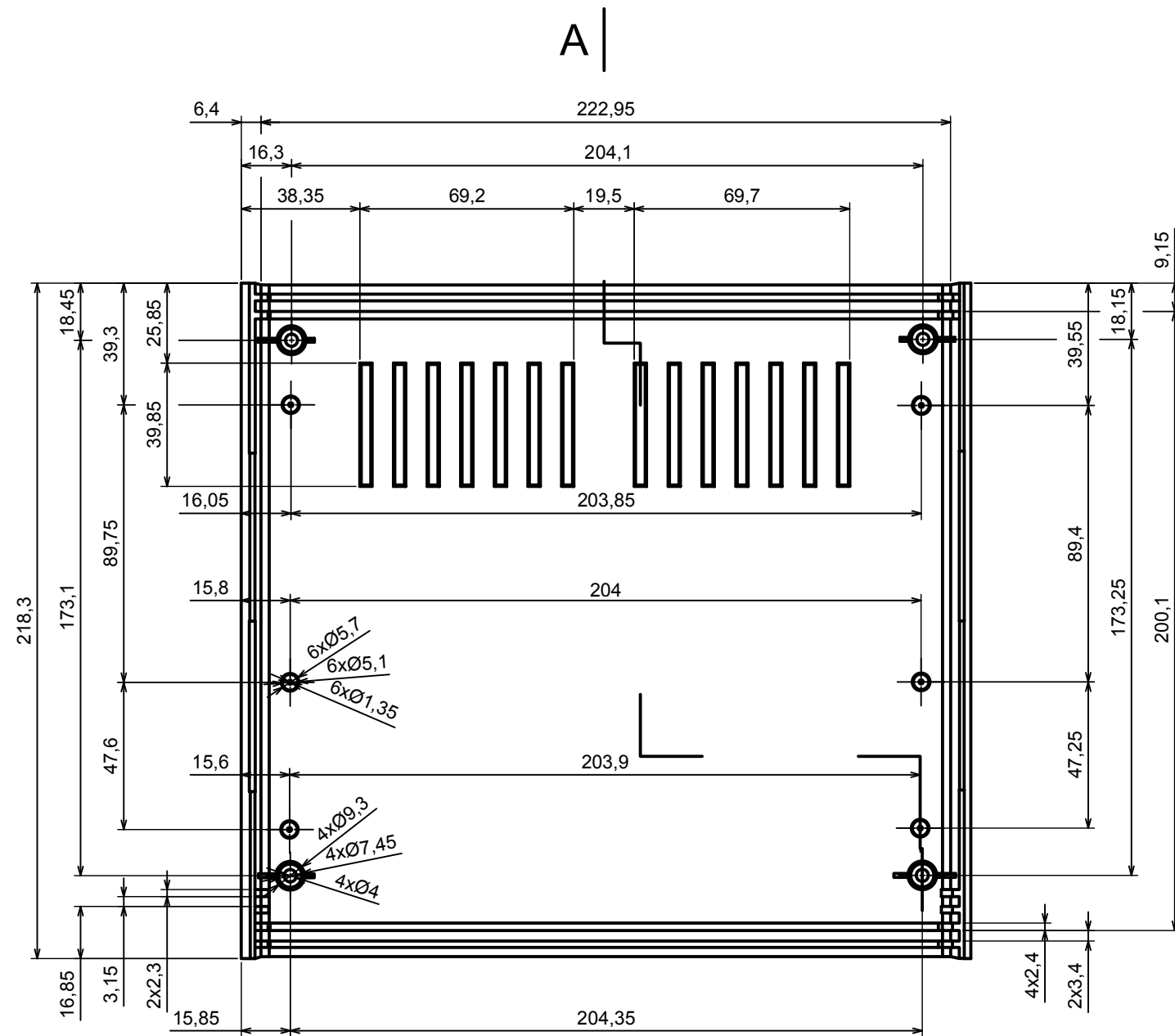
elektronikai alkatrész áruház

EN: This Datasheet is presented by the manufacturer.

Please visit our website for pricing and availability at www.hestore.hu.



| | | |
|--|---------------------------|---|
| All rights reserved, Copyright Kradox 2017 | | |
| Product model | Enclosure Z17W - Assembly | |
| Format: A3 | Material: PS, ABS |  |
| Scale 1:1 | Tolerance: +/- 0.9 | |



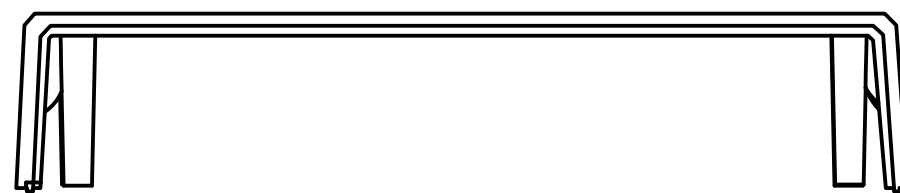
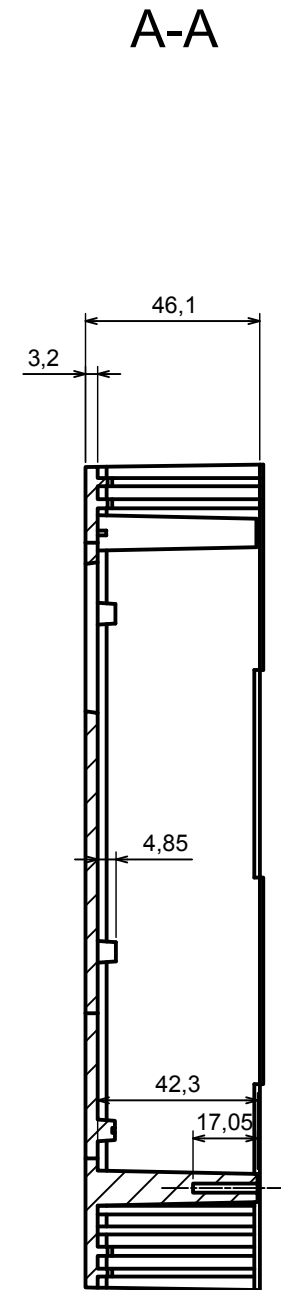
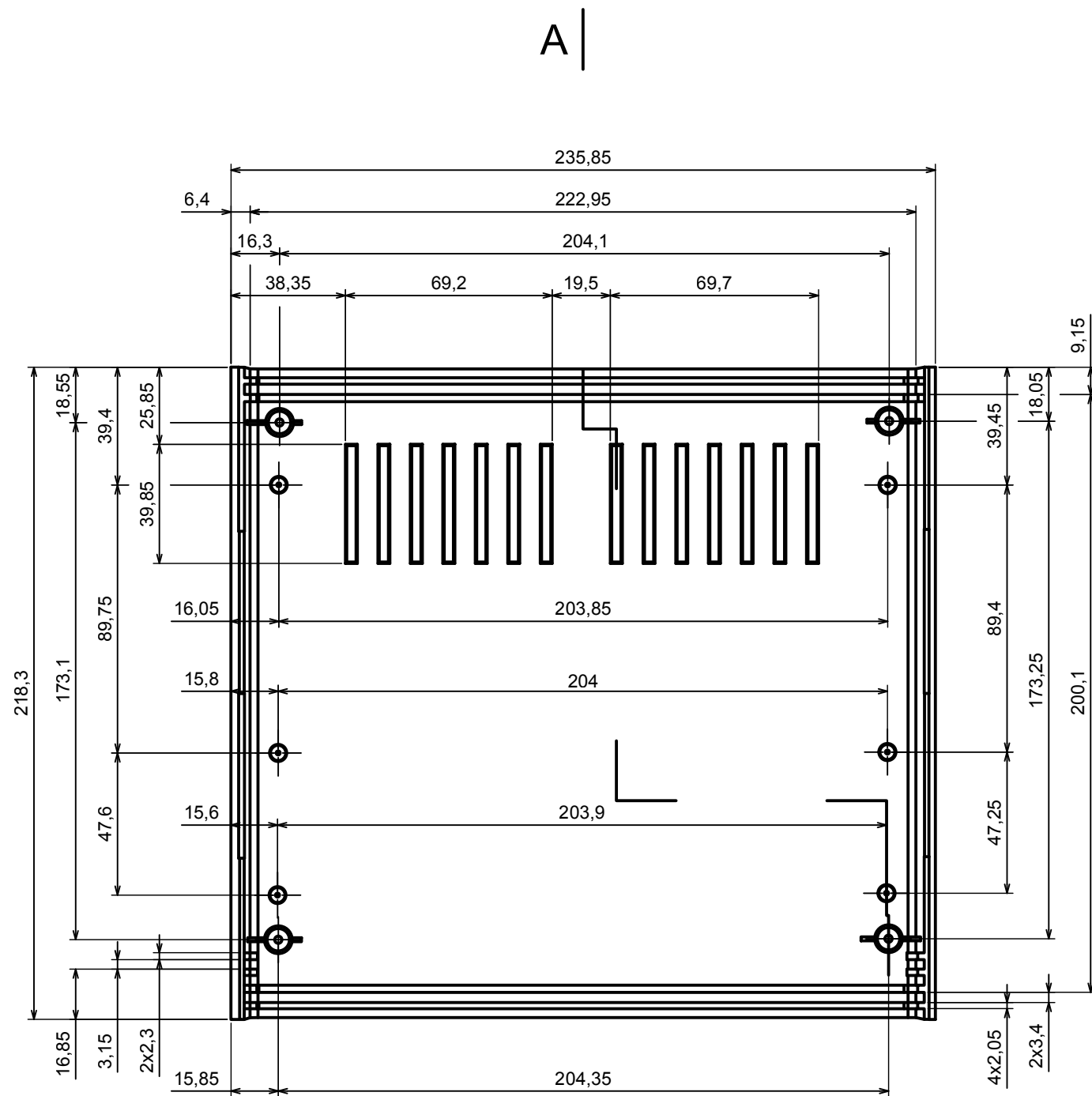
All rights reserved, Copyright Kradox 2017

Product model: Enclosure Z17W - Base

Format: A3 Material: PS, ABS

Scale 1:1 Tolerance: +/- 0.9





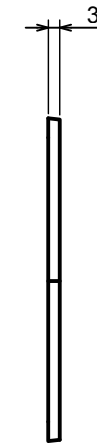
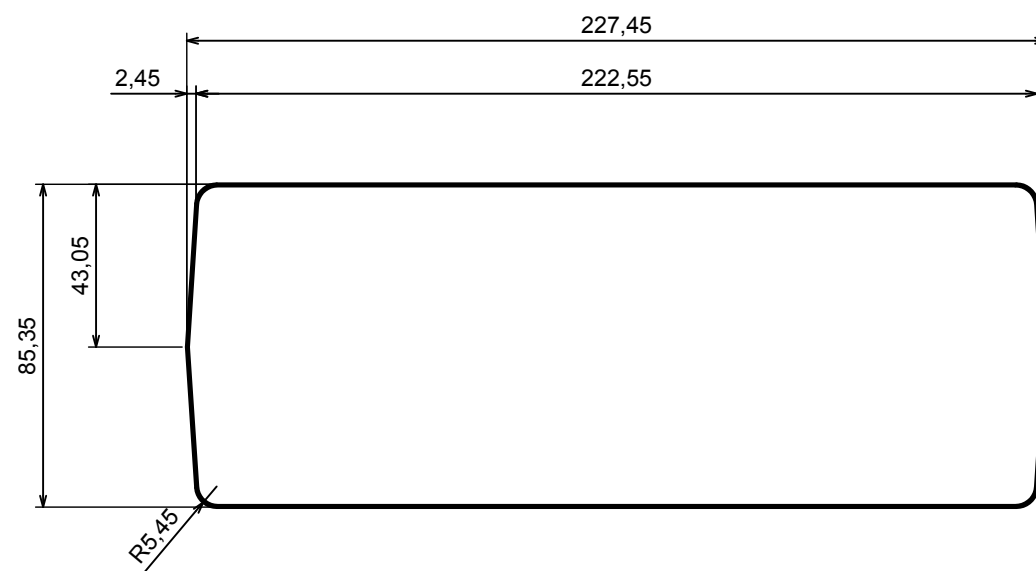
All rights reserved, Copyright Kradex 2017


Product model Enclosure Z17W - Cover

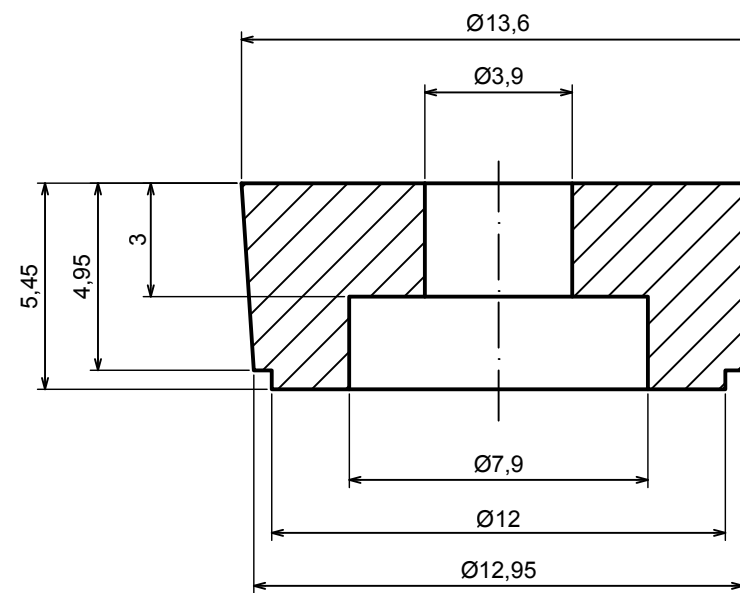
Format: A3 Material: PS, ABS

Scale 1:1 Tolerance: +/- 0.9





| | | |
|--|------------------------|---|
| All rights reserved, Copyright Kradex 2017 | | |
| Product model | Enclosure Z17W - Board | |
| Format: A3 | Material: PS, ABS |  |
| Scale 1:2 | Tolerance: +/- 0.9 | |



All rights reserved, Copyright Kradox 2017

Product model: Enclosure Z17W - Foot

Format: A3 Material: PS, ABS

Scale 5:1 Tolerance: +/- 0.5

