



HESTORE.HU

elektronikai alkatrész áruház

EN: This Datasheet is presented by the manufacturer.

Please visit our website for pricing and availability at www.hestore.hu.

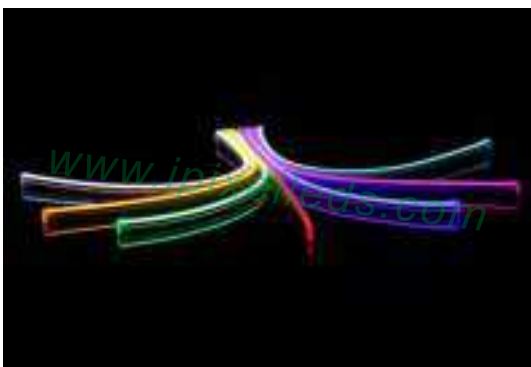


Single color Mini size LED Neon Flex 6*12mm



Product Description

Single color mini Neon Flexible strip made of silicon material Fire resistance, Anti - UV, Anti - Corrosion and deformation resistance Very soft and easy to be bend to make any small sign or LOGO Standard 5 meters/ reel,



but can be customized within 50meters

The cutting unit length is 25mm(12V), or 50mm(24V) per section Cutting mark on the side of neon body Waterproof IP65 Rated for outdoor



Product Datasheet

| | | |
|-----------------------|---|--------------|
| Product Number | N006120BB1LZ | N006120BC1LZ |
| LED Quantity | 120 leds/m | |
| LED Type | SMD 2835 | |
| Material | Silicon | |
| Luminance /M | R: 70 G: 121 B: 27 W:215 | |
| CCT | R/G/B/P/Y/V/IB/GY 3000-3500 K 8000-9000 K | |
| Cutting unit | 25 MM | 50 MM |
| Operating Voltage | DC12V | DC24V |
| Power (W) | 8 W/M | |
| Dimension | 5000*6*12 MM | |
| IP | IP65 | |
| Net Weight | 0.45kg/roll (5m) | |
| Operation Temperature | - 40 ~ 50 °C | |

Application



Hotels, restaurants, nights clubs.

Advertising signs, brightening.

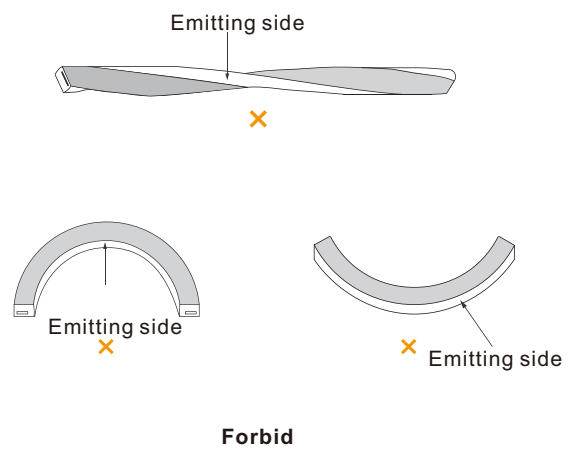
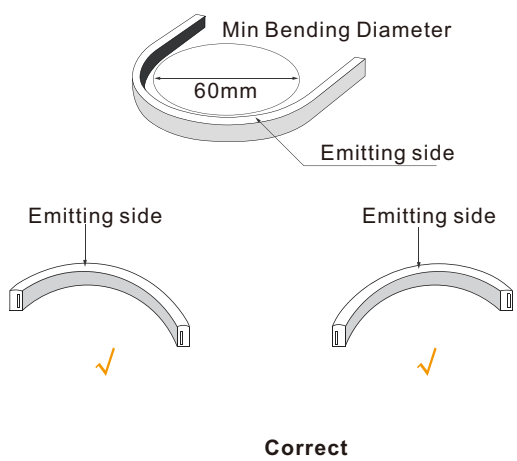


Back lighting, edge lighting.

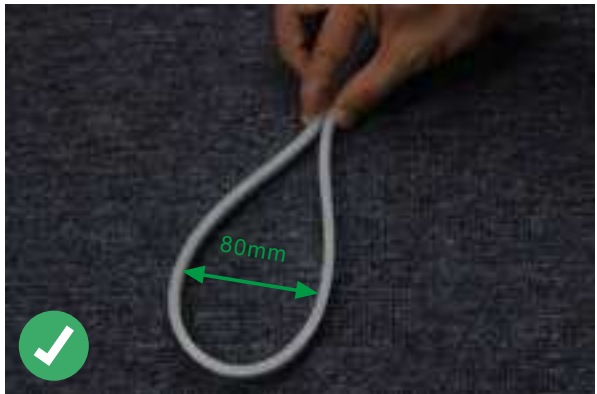
Dancefloor background.



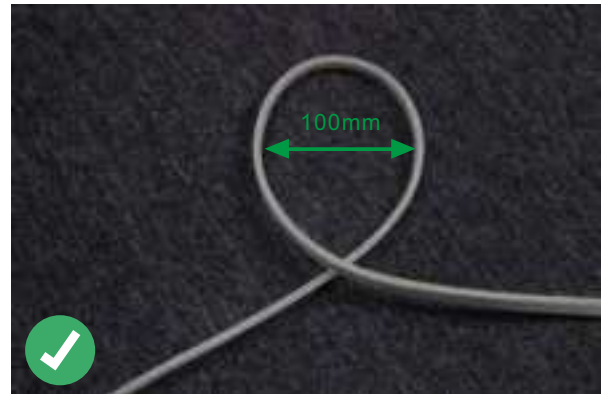
Correct bending way



Correct bending



Face to the lighting surface and fold the strip.
The minimum bending diameter is 80mm



Lighting surface upwards and the strip can be bent to right or left naturally, The minimum bending diameter is 100mm

Incorrect bending way



Face to the side surface (as the picture shows),
Do not bend it downward to damage the strip.



(as the picture shows) please do not twist the strip,
or it will be damaged



Installation



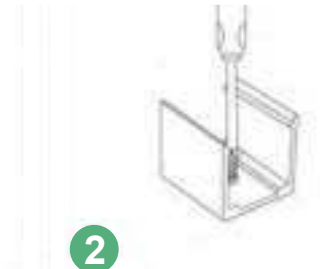
clips
50x8x13mm(LxWxH)



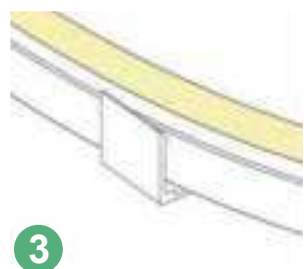
profile
1000x8x13mm(LxWxH)



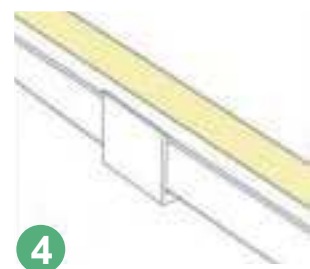
1



2



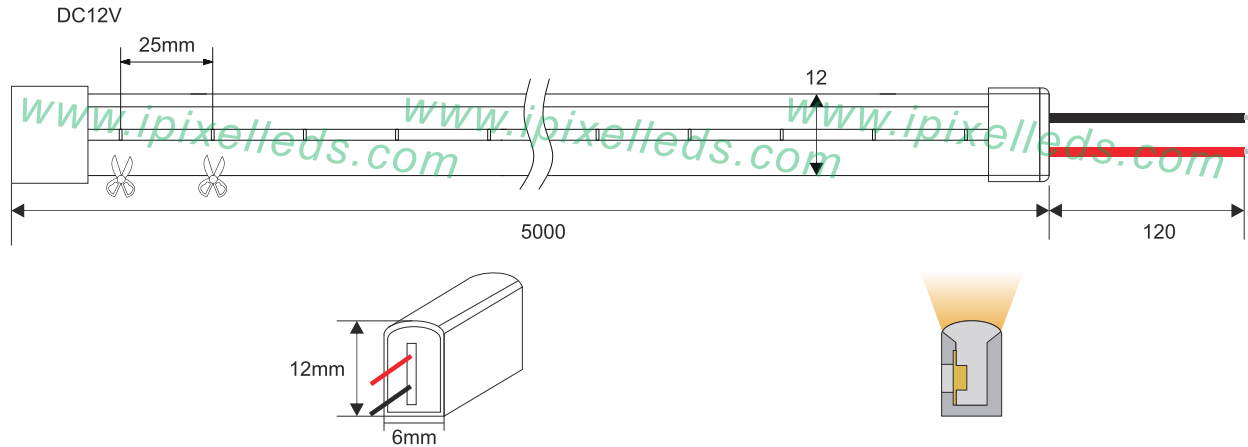
3



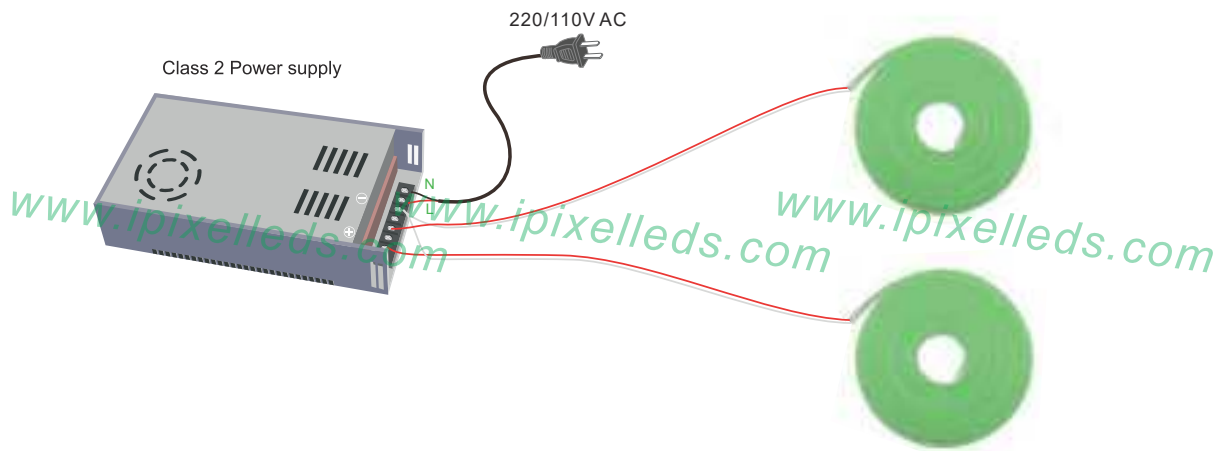
4



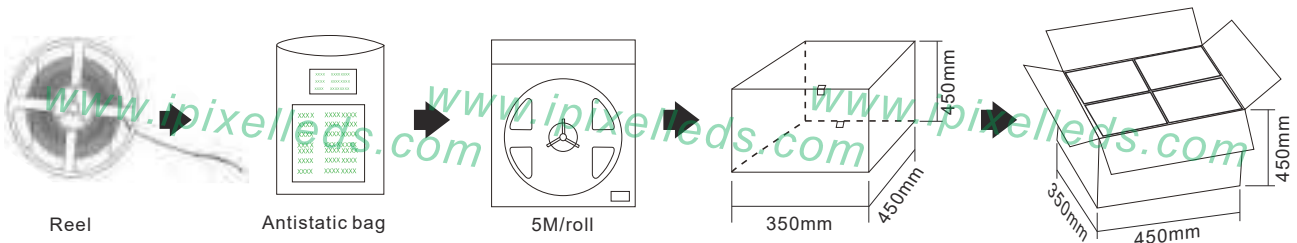
Outline Dimension (unit:mm)



Connection



Product packaging



| Product number | Standard length | Quantity / volume | outer carton size | Weight(kg)/reel |
|----------------|-----------------|-------------------|-------------------|-----------------|
| N006120BB1LZ | 5M | 240 Reels | L450xW350xH450mm | 0.45kg |
| / | | | | / |
| / | | | | / |
| / | | | | / |
| / | | | | / |
| / | | | | / |