

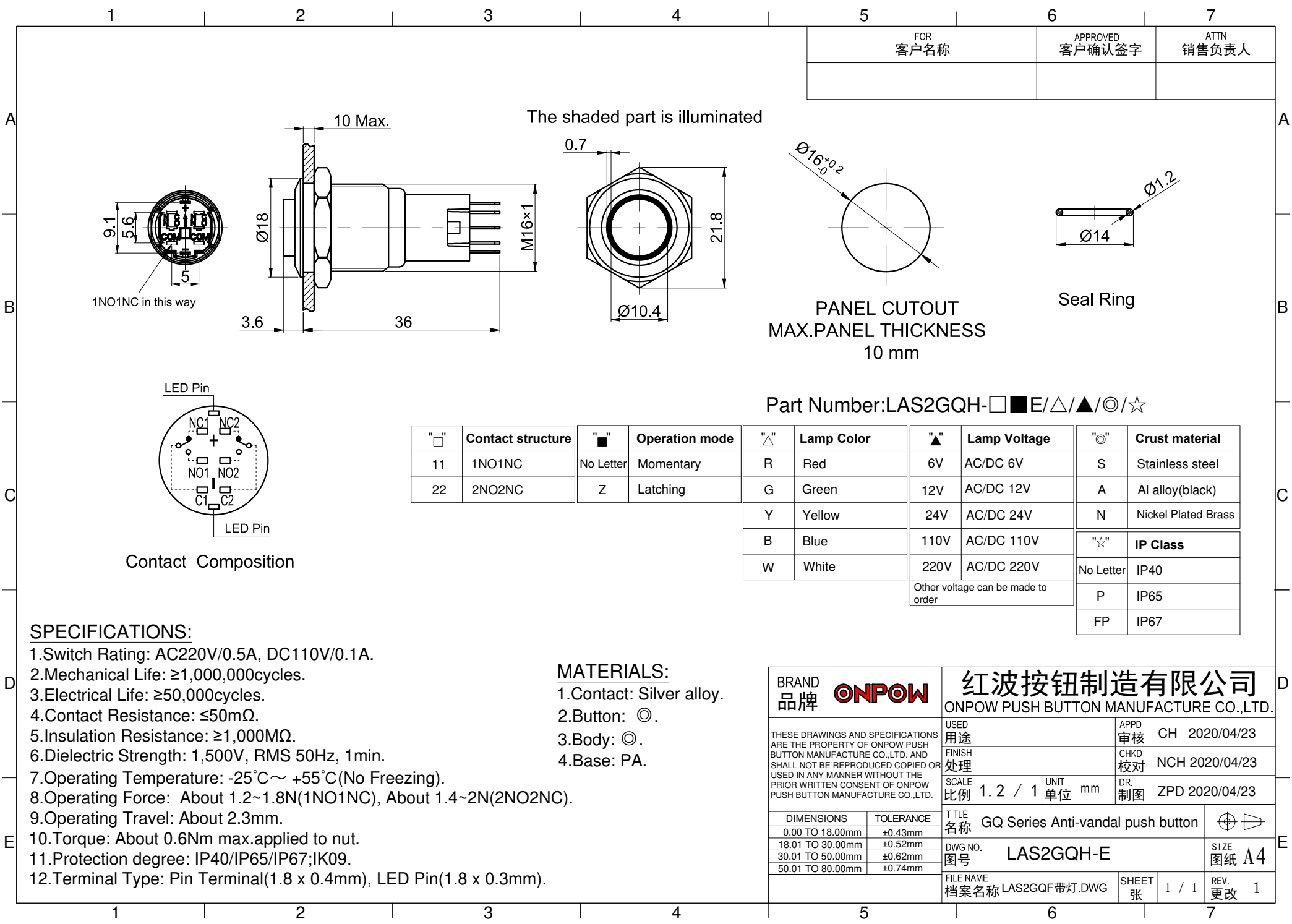


HESTORE.HU

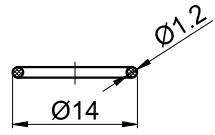
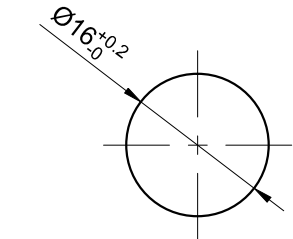
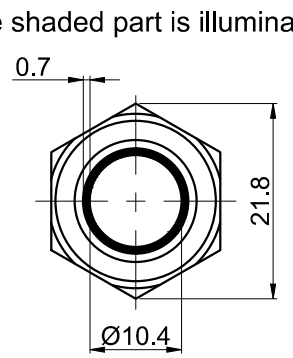
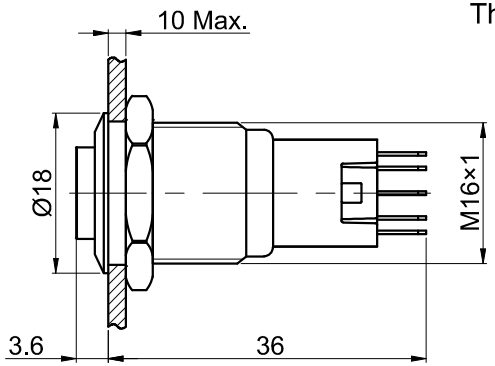
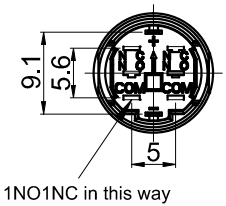
elektronikai alkatrész áruház

EN: This Datasheet is presented by the manufacturer.

Please visit our website for pricing and availability at www.hestore.hu.

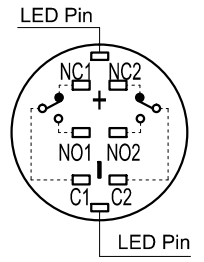


FOR 客户名称	APPROVED 客户确认签字	ATTN 销售负责人



PANEL CUTOUT
MAX.PANEL THICKNESS
10 mm

Seal Ring



Contact Composition

Part Number: LAS2GQH-□■E/△/▲/◎/☆

"□"	Contact structure	"■"	Operation mode	"△"	Lamp Color	"▲"	Lamp Voltage	"◎"	Crust material
11	1NO1NC	No Letter	Momentary	R	Red	6V	AC/DC 6V	S	Stainless steel
22	2NO2NC	Z	Latching	G	Green	12V	AC/DC 12V	A	Al alloy(black)
				Y	Yellow	24V	AC/DC 24V	N	Nickel Plated Brass
				B	Blue	110V	AC/DC 110V	"☆"	IP Class
				W	White	220V	AC/DC 220V	No Letter	IP40
						Other voltage can be made to order		P	IP65
								FP	IP67

SPECIFICATIONS:

- 1.Switch Rating: AC220V/0.5A, DC110V/0.1A.
- 2.Mechanical Life: ≥1,000,000cycles.
- 3.Electrical Life: ≥50,000cycles.
- 4.Contact Resistance: ≤50mΩ.
- 5.Insulation Resistance: ≥1,000MΩ.
- 6.Dielectric Strength: 1,500V, RMS 50Hz, 1min.
- 7.Operating Temperature: -25°C~ +55°C(No Freezing).
- 8.Operating Force: About 1.2~1.8N(1NO1NC), About 1.4~2N(2NO2NC).
- 9.Operating Travel: About 2.3mm.
- 10.Torque: About 0.6Nm max.applied to nut.
- 11.Protection degree: IP40/IP65/IP67;IK09.
- 12.Terminal Type: Pin Terminal(1.8 x 0.4mm), LED Pin(1.8 x 0.3mm).

MATERIALS:

- 1.Contact: Silver alloy.
- 2.Button: ◎.
- 3.Body: ◎.
- 4.Base: PA.

BRAND 品牌 ONPOW	红波按钮制造有限公司 ONPOW PUSH BUTTON MANUFACTURE CO.,LTD.		
	THESE DRAWINGS AND SPECIFICATIONS ARE THE PROPERTY OF ONPOW PUSH BUTTON MANUFACTURE CO.,LTD. AND SHALL NOT BE REPRODUCED COPIED OR USED IN ANY MANNER WITHOUT THE PRIOR WRITTEN CONSENT OF ONPOW PUSH BUTTON MANUFACTURE CO.,LTD.	用途 APPD 审核 CH 2020/04/23	处理 CHKD 校对 NCH 2020/04/23
DIMENSIONS 0.00 TO 18.00mm ±0.43mm 18.01 TO 30.00mm ±0.52mm 30.01 TO 50.00mm ±0.62mm 50.01 TO 80.00mm ±0.74mm	TOLERANCE ±0.43mm ±0.52mm ±0.62mm ±0.74mm	TITLE 名称 GQ Series Anti-vandal push button	
DWG NO. 图号 LAS2GQH-E	FILE NAME 档案名称 LAS2GQH带灯.DWG	UNIT 单位 mm	
SCALE 比例 1.2 / 1	DR. 制图 ZPD 2020/04/23	SHEET 张 1 / 1	
SIZE 图纸 A4	REV. 更改 1	尺寸 A4	