



**HESTORE.HU**

elektronikai alkatrész áruház

**EN:** This Datasheet is presented by the manufacturer.

Please visit our website for pricing and availability at [www.hestore.hu](http://www.hestore.hu).



### 1.5MHz, 2A Synchronous Step-Down Converter

## FEATURES

- High Efficiency: Up to 96%
- 1.5MHz Constant Frequency Operation
- 2A Output Current
- No Schottky Diode Required
- 2.3V to 6V Input Voltage Range
- Output Voltage as Low as 0.6V
- PFM Mode for High Efficiency in Light Load
- 100% Duty Cycle in Dropout Operation
- Low Quiescent Current: 40 $\mu$ A
- Short Circuit Protection
- Thermal Fault Protection
- Inrush Current Limit and Soft Start
- <1 $\mu$ A Shutdown Current
- SOT23-6 package

## APPLICATIONS

- Cellular and Smart Phones
- Wireless and DSL Modems
- PDAs
- Portable Instruments
- Digital Still and Video Cameras
- PC Cards

## GENERAL DESCRIPTION

The MT3420B is a 1.5MHz constant frequency, current mode step-down converter. It is ideal for portable equipment requiring very high current up to 2A from single-cell Lithium-ion batteries while still achieving over 90% efficiency during peak load conditions. The MT3420B also can run at 100% duty cycle for low dropout operation, extending battery life in portable systems while light load operation provides very low output ripple for noise sensitive applications. The MT3420B can supply up to 2A output load current from a 2.3V to 6V input voltage and the output voltage can be regulated as low as 0.6V. The high switching frequency minimizes the size of external components while keeping switching losses low. The internal slope compensation setting allows the device to operate with smaller inductor values to optimize size and provide efficient operation. The M3420B is offered in a low profile (1mm) 6-pin, thin SOT package, and is available in an adjustable version.

This device offers two operation modes, PWM control and PFM Mode switching control, which allows a high efficiency over the wider range of the load.

## TYPICAL APPLICATION

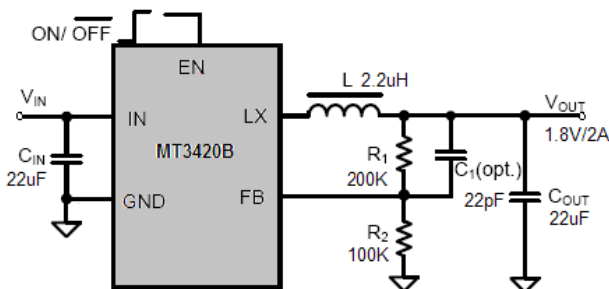


Figure 1. Basic Application Circuit

## ABSOLUTE MAXIMUM RATINGS (Note 1)

Input Supply Voltage ..... -0.3V to 6.5V

EN,FB Voltages.....-0.3 to (Vin+0.3V)

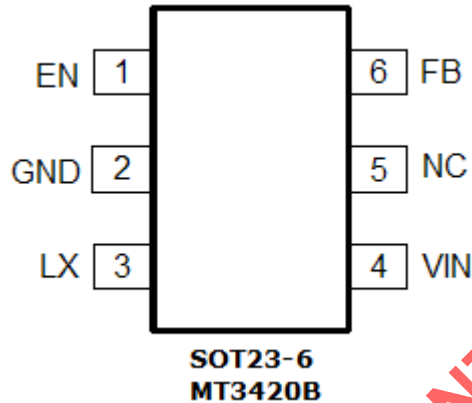
LX Voltage .....-0.3V to (Vin+0.3V)

Operating Temperature Range ... -40°C to +85°C

Lead Temperature(Soldering,10s) .....+300°C

Storage Temperature Range .....-65°C to 150°C

## PIN CONFIGURATION



## PIN DESCRIPTION

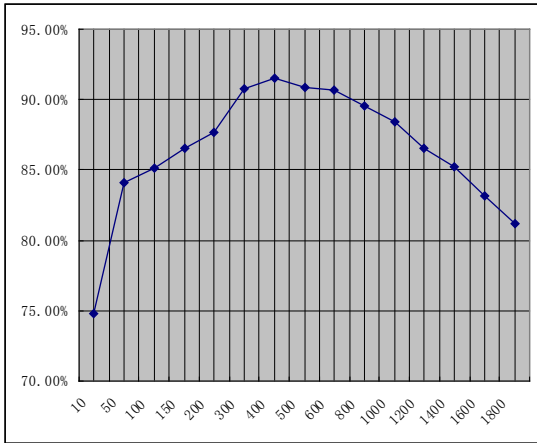
NAME	PIN	FUNCTION
EN	1	Chip Enable Pin. Drive EN above 1.5V to turn on the part. Drive EN below 0.3V to turn it off. Do not leave EN floating.
GND	2	Analog ground pin.
LX	3	Power Switch Output. It is the switch node connection to Inductor. This pin connects to the drains of the internal P-ch and N-ch MOSFET switches.
VIN	4	Analog supply input pin.
NC	5	No Connect.
FB	6	Output Voltage Feedback Pin. An internal resistive divider divides the output voltage down for comparison to the internal reference voltage.

**ELECTRICAL CHARACTERISTICS (Note 3)**(V<sub>IN</sub>=V<sub>EN</sub>=3.6V, V<sub>OUT</sub>=1.8V, T<sub>A</sub> = 25°C, unless otherwise noted.)

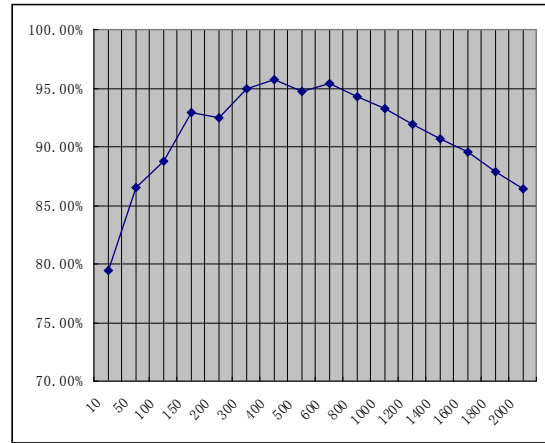
Parameter	Conditions	MIN	TYP	MAX	unit
Input Voltage Range		2.3		6	V
UVLO Threshold		1.7	1.9	2.1	V
Input DC Supply Current	(Note 4)				μA
PWM Mode	V <sub>out</sub> = 90%, I <sub>load</sub> =0mA		150	300	μA
PFM Mode	V <sub>out</sub> = 105%, I <sub>load</sub> =0mA		40	75	μA
Shutdown Mode	V <sub>EN</sub> = 0V, V <sub>IN</sub> =4.2V		0.1	1.0	μA
Regulated Feedback Voltage VFB	T <sub>A</sub> = 25°C	0.588	0.600	0.612	V
	T <sub>A</sub> = 0°C ≤ T <sub>A</sub> ≤ 85°C	0.586	0.600	0.613	V
	T <sub>A</sub> = -40°C ≤ T <sub>A</sub> ≤ 85°C	0.585	0.600	0.615	V
Reference Voltage Line Regulation	V <sub>in</sub> =2.5V to 5.5V		0.1		%/V
Output Voltage Accuracy	V <sub>IN</sub> = 2.5V to 5.5V, I <sub>out</sub> =10mA to 2000mA	-3		+3	%V <sub>out</sub>
Output Voltage Load Regulation	I <sub>out</sub> =10mA to 2000mA		0.2		%/A
Oscillation Frequency	V <sub>out</sub> =100%		1.5		MHz
	V <sub>out</sub> =0V		300		kHz
On Resistance of PMOS	I <sub>LX</sub> =100mA		100	150	mΩ
On Resistance of NMOS	I <sub>LX</sub> =-100mA		90	150	mΩ
Peak Current Limit	V <sub>IN</sub> =3V, V <sub>out</sub> =90%		4		A
EN Threshold		0.30	1.0	1.50	V
EN Leakage Current			±0.01	±1.0	μA
LX Leakage Current	V <sub>EN</sub> =0V, V <sub>IN</sub> =V <sub>LX</sub> =5V		±0.01	±1.0	μA

**Note 1:** Absolute Maximum Ratings are those values beyond which the life of a device may be impaired.**Note 2:** T<sub>J</sub> is calculated from the ambient temperature T<sub>A</sub> and power dissipation P<sub>D</sub> according to the following formula: T<sub>J</sub> = T<sub>A</sub> + (P<sub>D</sub>) x (250°C/W).**Note 3:** 100% production test at +25°C. Specifications over the temperature range are guaranteed by design and characterization.**Note 4:** Dynamic supply current is higher due to the gate charge being delivered at the switching frequency.

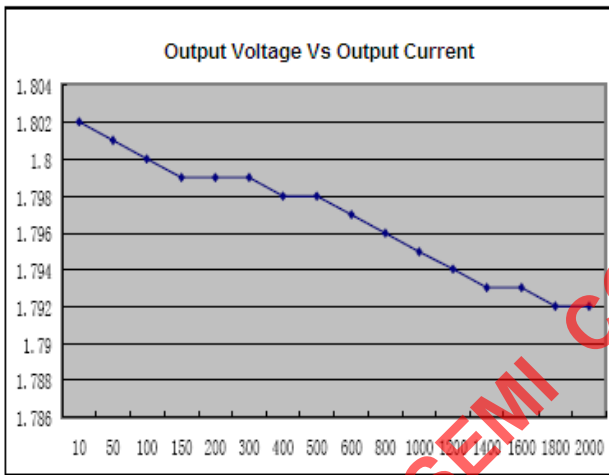
TYPICAL PERFORMANCE CHARACTERISTICS



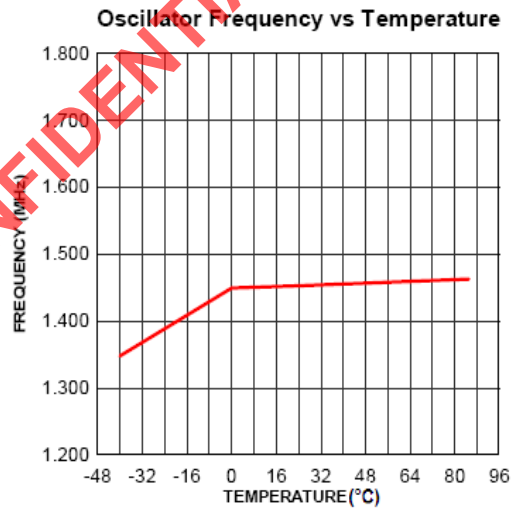
Vin=5V, Vout=1.8V



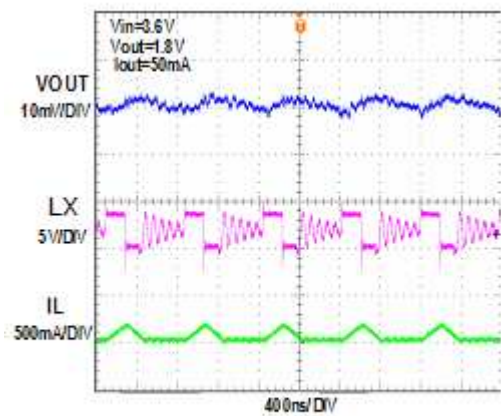
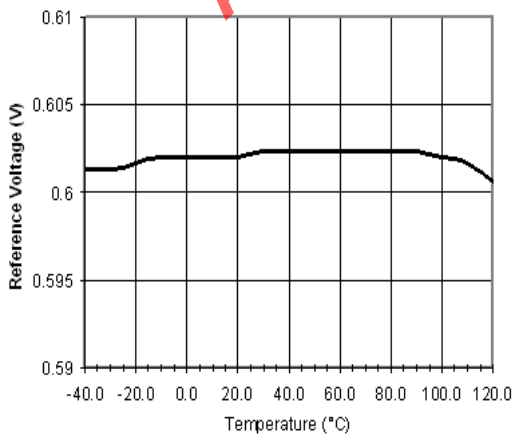
Vin=5V, Vout=3.3V



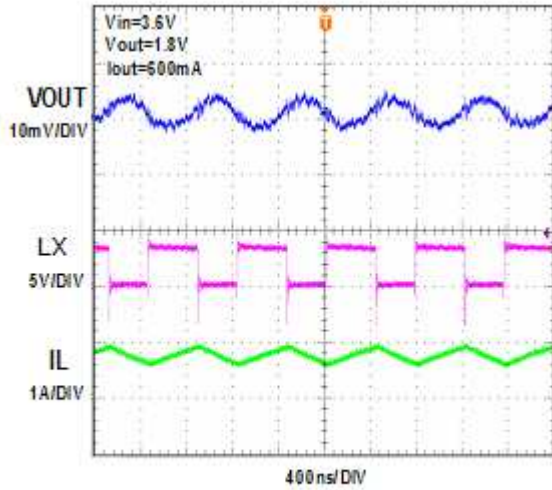
Vin=3.6V, Vout=1.8V



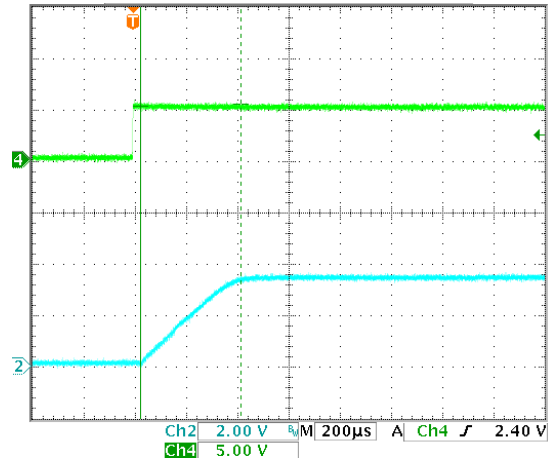
AEROSEMI CONFIDENTIAL



PFM MODE



PWM MODE



Start-Up

## FUNCTIONAL BLOCK DIAGRAM

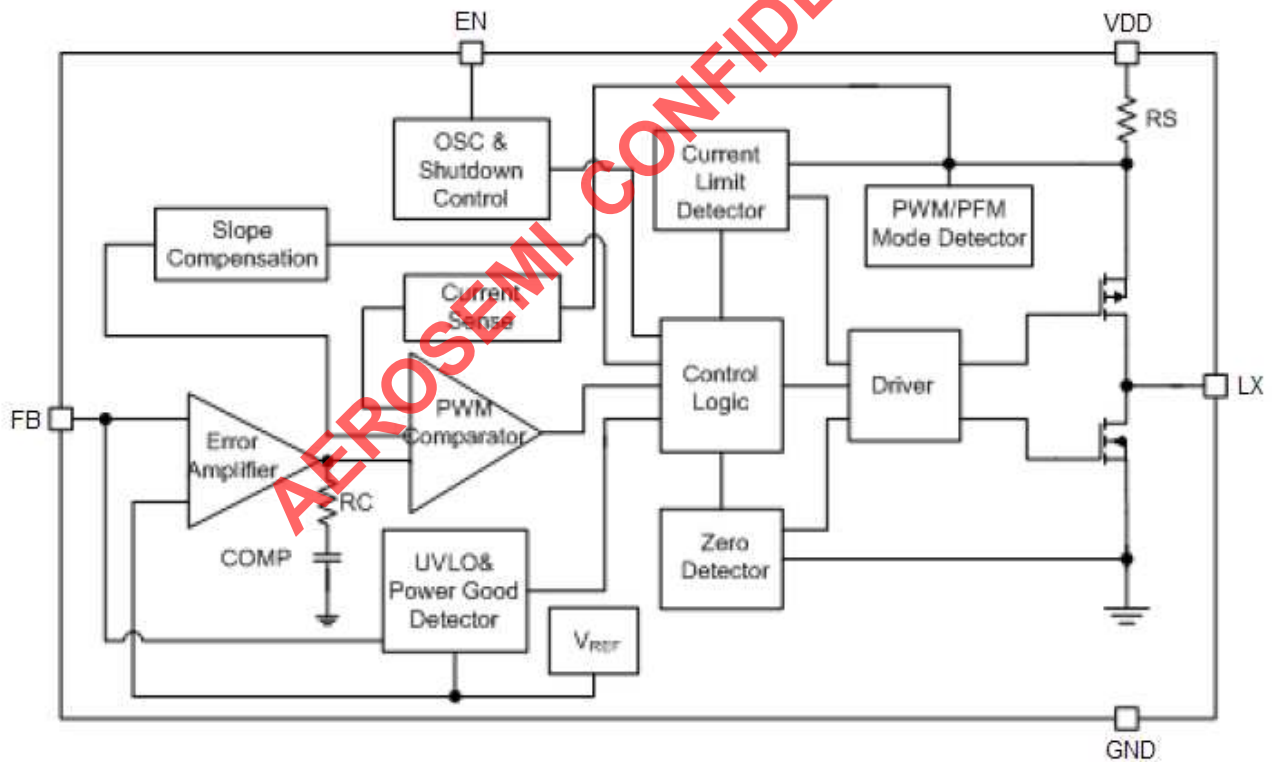


Figure2. MT3420B Block Diagram

## FUNCTIONAL DESCRIPTION

The MT3420B is a high output current monolithic switch mode step-down DC-DC converter. The device operates at a fixed 1.5MHz switching frequency, and uses a slope compensated current mode architecture. This step-down DC-DC converter can supply up to 2A output current at  $V_{IN} = 3.6V$  and has an input voltage range from 2.3V to 6V. It minimizes external component size and optimizes efficiency at the heavy load range. The slope compensation allows the device to remain stable over a wider range of inductor values so that smaller values (1 $\mu$ H to 4.7 $\mu$ H) with lower DCR can be used to achieve higher efficiency. Only a small bypass input capacitor is required at the output. The adjustable output voltage can be programmed with external feedback to any voltage, ranging from 0.6V to near the input voltage. It uses internal MOSFETs to achieve high efficiency and can generate very low output voltages by using an internal reference of 0.6V. At dropout operation, the converter duty cycle increases to 100% and the output voltage tracks the input voltage minus the low RDS(ON) drop of the P-channel high-side MOSFET and the inductor DCR. The internal error amplifier and compensation provides excellent transient response, load and line regulation. Internal soft start eliminates any output voltage overshoot when the enable or the input voltage is applied.

### Setting the Output Voltage

Figure 1 shows the basic application circuit for the MT3420B. The MT3420B can be externally programmed. Resistors R1 and R2 in Figure 1 program the output to regulate at a voltage higher than 0.6V. To limit the bias current required for the external feedback resistor string while maintaining good noise immunity, the minimum suggested value for R2 is 59k $\Omega$ . Although a larger value will further reduce quiescent current, it will also increase the impedance of the feedback node, making it more sensitive to external noise and interference. Table 1 summarizes the resistor values for various output voltages with R2 set to either 59k $\Omega$  for good noise immunity or 316k $\Omega$  for reduced no load input current. The external resistor sets the output voltage according to the following equation:

$$V_{OUT} = 0.6 \times \left(1 + \frac{R_1}{R_2}\right)$$

$$R_1 = (V_{OUT} / 0.6 - 1) \times R_2$$

Table 1 shows the resistor selection for different output voltage settings.

$V_{OUT}$ (V)	R2 = 59k $\Omega$ R1 (k $\Omega$ )	R2 = 316k $\Omega$ R1 (k $\Omega$ )
0.8	19.6	105
0.9	29.4	158
1.0	39.2	210
1.1	49.9	261
1.2	59.0	316
1.3	68.1	365
1.4	78.7	422
1.5	88.7	475
1.8	118	634
1.85	124	655
2.0	137	732
2.5	187	1000
3.3	267	1430

Table 1: Resistor selections for different output voltage settings (standard 1% resistors substituted for calculated values).

## APPLICATIONS INFORMATION

### Inductor Selection

For most designs, the MT3420B operates with inductors of 1μH to 4.7μH. Low inductance values are physically smaller but require faster switching, which results in some efficiency loss. The inductor value can be derived from the following equation:

$$L = \frac{V_{OUT} \times (V_{IN} - V_{OUT})}{V_{IN} \times \Delta I_L \times f_{OSC}}$$

Where  $\Delta I_L$  is inductor Ripple Current. Large value inductors result in lower ripple current and small value inductors result in high ripple current. For optimum voltage-positioning load transients, choose an inductor with DC series resistance in the 50mΩ to 150mΩ range.

Manufacturer	Part Number	Ind (uH)	DCR (Ohm)	Max DC Current (A)	Size L*W*H(mm3)
Sumida	CDRH 5D16	2.2	28.7	3	5.8x5.8x1.8
		3.3	35.6	2.6	
		4.7	19	3.4	
Sumida	CDRH 5D16	2.2	23	3.3	5.2x5.2x3.0
		3.3	29	2.6	
		4.7	39	2.1	

Table2.Recommend Surface Mount Inductors

### Input Capacitor Selection

The input capacitor reduces the surge current drawn from the input and switching noise from the device. The input capacitor impedance at the switching frequency should be less than input source impedance to prevent high frequency switching current passing to the input. A low ESR input capacitor sized for maximum RMS current must be used. Ceramic capacitors with X5R or X7R dielectrics are highly recommended because of their low ESR and small temperature coefficients. A 22μF ceramic capacitor for most applications is sufficient. A large value may be used for improved input voltage filtering.

### Output Capacitor Selection

The output capacitor is required to keep the output voltage ripple small and to ensure regulation loop stability. The output capacitor must have low impedance at the switching frequency. Ceramic capacitors with X5R or X7R dielectrics are recommended due to their low ESR and high ripple current ratings. The output ripple  $\Delta V_{OUT}$  is determined by:

$$\Delta V_{OUT} \leq \frac{V_{OUT} \times (V_{IN} - V_{OUT})}{V_{IN} \times f_{OSC} \times L} \times \left( ESR + \frac{1}{8 \times f_{osc} \times C3} \right)$$

A 22μF ceramic can satisfy most applications.



## PCB Layout Recommendations

When laying out the printed circuit board, the following checking should be used to ensure proper operation of the MT3420B. Check the following in your layout:

1. The power traces, consisting of the GND trace, the LX trace and the VIN trace should be kept short, direct and wide.
2. Does the (+) plates of  $C_{in}$  connect to  $V_{in}$  as closely as possible. This capacitor provides the AC current to the internal power MOSFETs.
3. Keep the switching node, LX, away from the sensitive VOUT node.
4. Keep the (-) plates of  $C_{in}$  and  $C_{out}$  as close as possible

**AEROSEMI CONFIDENTIAL**

**PACKAGE DESCRIPTION**

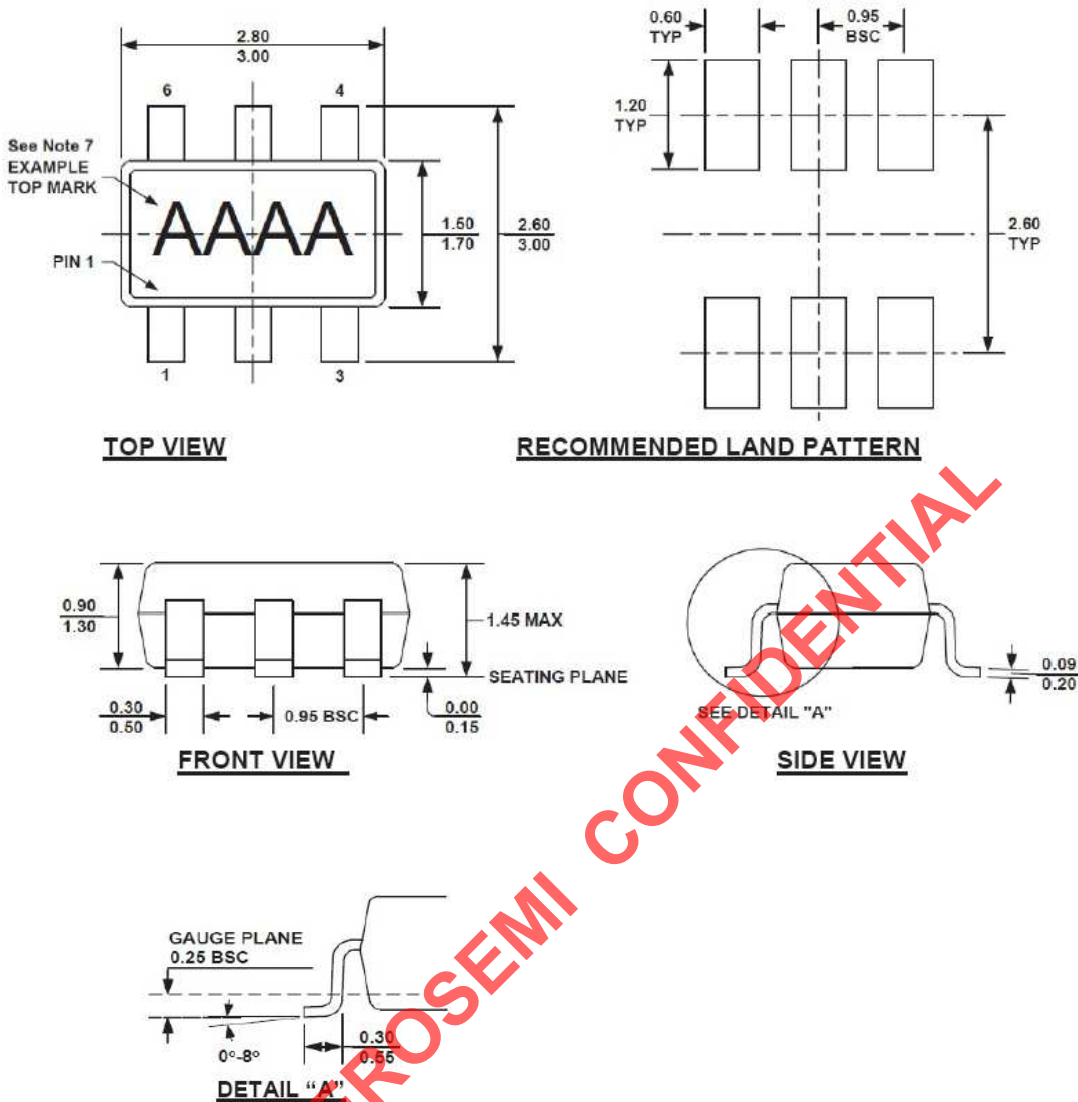


Figure 9. TSOT23-6/SOT23-6 Physical Dimensions

**NOTE:**

- 1) ALL DIMENSIONS ARE IN MILLIMETERS.
- 2) PACKAGE LENGTH DOES NOT INCLUDE MOLD FLASH, PROTRUSION OR GATE BURR.
- 3) PACKAGE WIDTH DOES NOT INCLUDE INTERLEAD FLASH OR PROTRUSION.
- 4) LEAD COPLANARITY (BOTTOM OF LEADS AFTER FORMING) SHALL BE 0.10 MILLIMETERS MAX.
- 5) DRAWING CONFORMS TO JEDEC MO-193, VARIATION AB.
- 6) DRAWING IS NOT TO SCALE.
- 7) PIN 1 IS LOWER LEFT PIN WHEN READING TOP MARK FROM LEFT TO RIGHT, (SEE EXAMPLE TOP MARK)