



HESTORE.HU

elektronikai alkatrész áruház

EN: This Datasheet is presented by the manufacturer.

Please visit our website for pricing and availability at www.hestore.hu.



胜丰电子有限公司

APPROVAL SHEET

Customer:

Customer P/N: **SFB 5015SM5**

Description: **DC FAN**

Model NO.: **SFB 5015SM5**

Version.: **A** Issue NO.: **SFH190322**

Issue date: **2019-03-22** Quantity: **1000PCS**

***Please sign back this specification for our record upon your approval.**

Thanks!

| Company Stamp | CUSTOMER APPROVAL Stamp |
|--------------------------|--|
| 制作：黄梓洪 | 承认： |
| 复核：姚嵩梓 | 核准： |
| 核准：田付安 | 日期： |

地址：深圳市龙岗区坂田街道雅南路南坑第二工业区

电话：0755-82716358 82579709 传真：22636467

免费咨询和订购热线：**400-9920-988** 官方网站 <http://www.fancool.net/>

E-Mail: fancool18@163.com

1.0: 一般规格 (General Specification)

| 项目 (Item) | | 规格/条件 (Specification/Condition) | |
|-----------|----------------------------------|---|---|
| 1 | 型号(Model No.) | SFB 5015SM5 | |
| 2 | 外型尺寸(Outline. Dimension) | 50*50*15 | |
| 3 | 工作电压 (Operating Voltage) | DC 3.6-6.8V | |
| 4 | 额定电压(Rated .voltage) | DC 5.0 V | |
| 5 | 起动电压 Starting Voltage | DC ≤3.6V on/off | |
| 6 | 额定电流(Rated current) | 0.28A | a. 额定电压(Rated .voltage) b. 25°C 65% RH C. After testing for 5 minutes |
| 7 | 消耗功率(Power consumption) | 1.40W | |
| 8 | 转速 (Speed) | 4500±10%RPM | |
| 9 | 最大风量 : (Max Airflow) | 3.15CFM | a. 额定电压(Rated .voltage) b. AMCA 标准 (Standard) C. 额定电流(Rated current) |
| | 最大静压 : (Air .Static Pressure) | 9.69mmH2O | |
| 10 | 最大噪音 (Max Noise) | Max:37.10Db-A | a. 额定电压 (Rated Voltage) b. 18dB无响室 (18dB Non-Echo Chamber) c. 标准 (Standard):CNS 8753 / ISO 3744 d. Test Condition :ISO 7779 e. 距离 (Distance): 1.0 M |
| 11 | Life expectancy(期望寿命) | 25000 hrs at temp25°C Humidity5%-95% | MTTF (Mean Time To Failure) Conf. Level 90%) |
| 12 | 扇叶数 (No.of.Blade) | 涡轮叶 | |
| 13 | 极数 (No.of.Pole) | 4 极 | |
| 14 | 运转方向 (Rotating Direction) | 逆时针/运转方向是从扇叶面看 | |
| 15 | 锁住保护 Lock Protection | <input type="checkbox"/> 有 YES 安规条件/ Safety Condition | |
| 16 | 极性保护 Polarity Protection | <input type="checkbox"/> 无 NO | |
| 17 | 过流保护 (Over current protection) | <input type="checkbox"/> 无 NO | |
| 18 | 恒速功能 | <input type="checkbox"/> 无 NO | |

| | | |
|----|-------------------------------|-------------------------------|
| | fixed constant speed Function | |
| 19 | PWM 功能 PWM function | <input type="checkbox"/> 无 NO |

2.0:主要材料/零件规格 (Main Materials/parts Specification)

| 材料/零件 (Materials/parts) | | 规格(Specification) | |
|--------------------------|---|------------------------------------|--------|
| 1 | 塑料材料/扇叶 外框 (Plastic Material/Blade, Housing) | PBT 黑色方框涡轮叶, | |
| 2 | 轴承 (Bearing Type) | 含油轴承 (Sleeve Bearing) | |
| 3 | 引线 (Lead Wire) | UL1061#28#130mm 黑红分线 2.54 两 PIN 端子 | |
| 4 | 端子 (Connector) | 红(VCC) | 黑(GND) |

3.0 電性规格 (Electrical Specifically)

| | | |
|---|-------------------------------|--|
| 1 | 绝缘阻抗 Insulation Resistance | 10MΩ/裸线与外框间测量, 500VDC/min 10MΩ/between unshackled wire and frame at 500VDC/min |
| 2 | 绝缘耐压 Dielectric Strength | 5Ma Max./导线与外框间测量, 500VAC/min 5Ma Max./Measured between lead wire(+)and frame at 500VAC/min |
| 3 | 防水等级 Waterproof level | IP X0 |

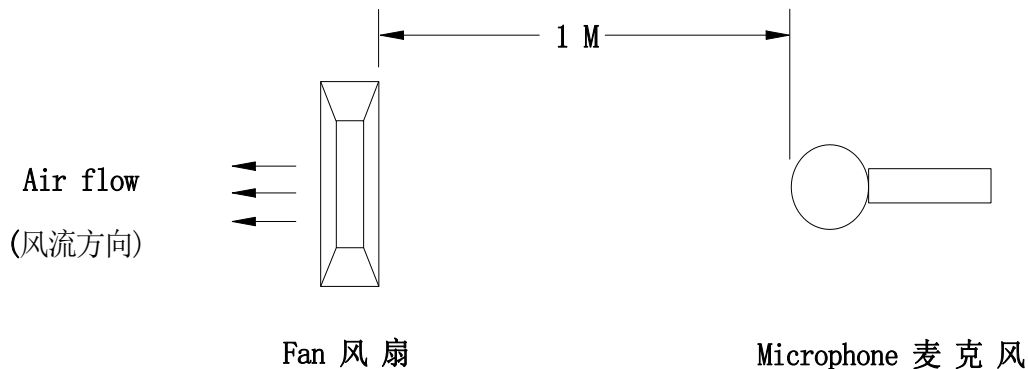
4.0 环境测试 (Environmental Specification)

| | | |
|---|-----------------------------------|---|
| 1 | 运转温/湿度范围 Operating Temp .Range | 温度/Temperature:-10℃ - +70℃ 湿度/Humidity:5% - 95%RH |
| 2 | 保存温/湿度范围 Storage Temperature | 温度/Temperature:-40℃ - +75℃ 湿度/Humidity:5% - 95%RH |
| 3 | 耐湿性 Humidity | 电气规格依据 MIL-STD 202F Method 103B 湿度: 95%RH 温度: 40±2℃ |
| 4 | 热冲击 Thermal Shock | 电气规格依据 MIL-STD 202F Method 107D Per MIL-STD 202F Method 107D,Condition D |
| 5 | 绝缘阶段 Insulation Shock | UL: A 级 UL : Class A |

| | | |
|---|-------------------------------------|--|
| 6 | 包装耐振动试验 Packing Vibration Test | 包装后，XYZ 三方向施 1.1G load vibration test for 30min .No serious damage |
| 7 | 包装耐冲击试验 Packing Shock Proof Test | 捆包后，高 60 公分，1 棱角 3 边 6 面自然落下，无严重损坏。 1comer,3edges, 6faces natural drop from 60cm high packing No serious damage |

5.0 在无响室额定电压下之噪音测试

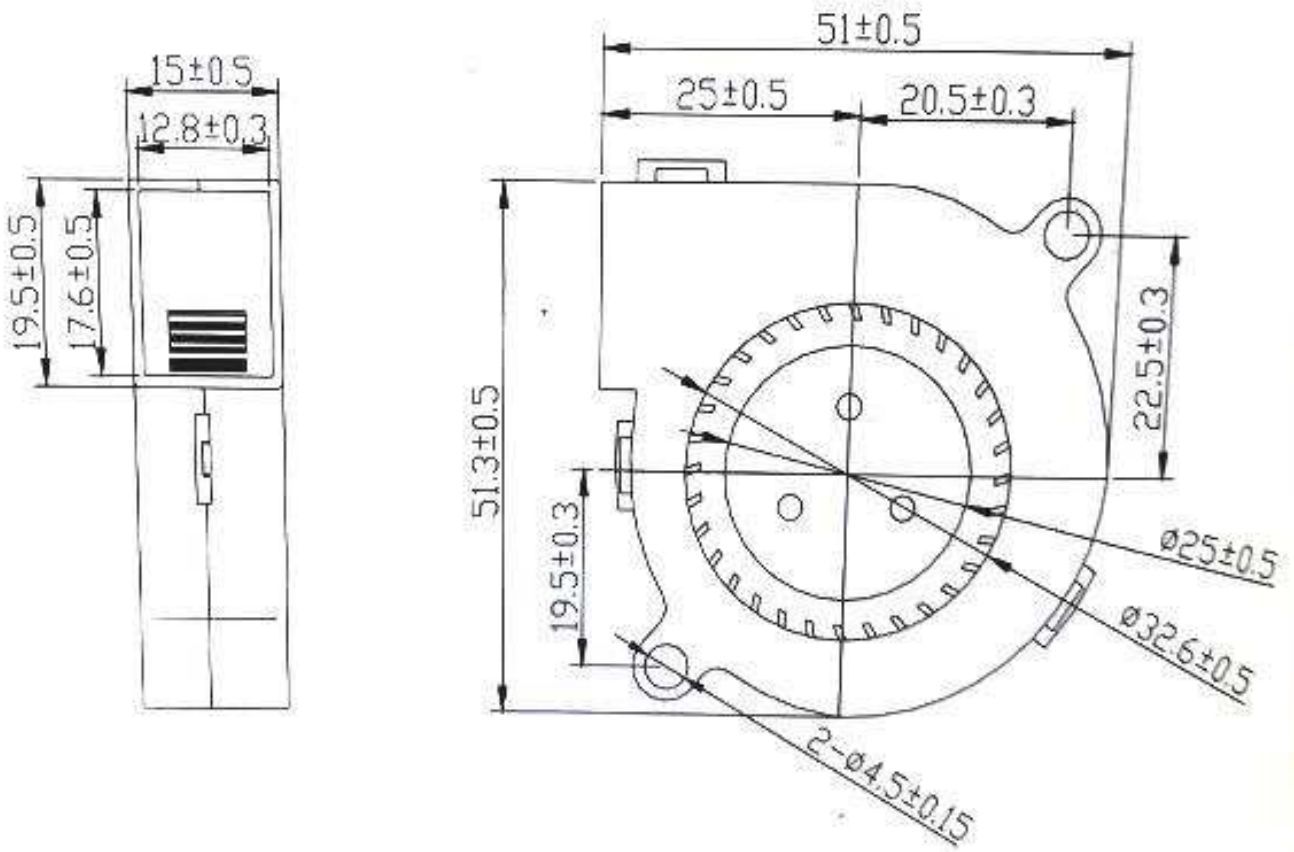
(Noise is measured at rated voltage in anechoic



(在背景噪音不超过 18dB (A) 的无响室内，将待测风扇通入额定的工作电压，悬掉入空中，将麦克风放于风扇同一平面且离待测风扇进风口一米处进行测试其 B&K 值)

Noise is measured rated voltage in free air in anechoic chamber with B&K sound level meter with microphone at a distance of one meter from the fan intake.The background noise is 18Db(A) max.

6.0 框叶图：



注意事项 (NOTES)

1 Before use, make sure the supply voltage to meet the use of the product range, line-powered load exceeds the maximum power consumption of this product 120%. And the voltage is stable without clutter

(使用前, 确认供电电压能满足本产品的使用范围, 供电电路负载超过本产品的最大功耗的 120%。且电压是稳定不含杂波干扰)

2 Please when ventilator circular telegram normal work do not use the hand to bump touches fan blade border

(请在风扇通电正常运转时不要用手碰触扇叶边沿)

3 Please do not touch the impeller and never carry the fan the lead wires. The bearings and the lead wires may be damaged. Additionally, static electricity may damage the internal circuits of the fan

(请不要碰触扇叶和拉扯线材, 以免损坏轴承及导线。此外, 静电可能损坏内部的风扇元件)

4 Please do not use the fan in the environment of corrosive gas or liquid.

(请不要将风扇置于腐蚀的气体和液体内)

5 Please do not store the fan in the environment of high humidity. Please avoid storage of the fan over 6 months. For long term storage, please connect power to the fan shortly every 6 months even though the fan is stored in room temperature.

(请不要将风扇储存在高湿度的环境中, 请尽量避免将风扇储存期超过 6 个月。如果要长期储存, 请将其在室温的环境下。且每隔 6 个月须上电源让风扇短时间运转。)

Shenzhen BCTC Testing Co., Ltd.

BCTC Building & 1-2F, East of B Building, Pengzhou Industrial, Fuyuan 1st Road,
Qiaotou Community, Fuyong Street, Bao'an District, Shenzhen, China



Certificate of Compliance

Applicant : SHENGFENGHONG ELECTRONICS CO.,LTD.
No.1-2205 Yabao Rd., Bantian, Longgang Distict, Shenzhen, China

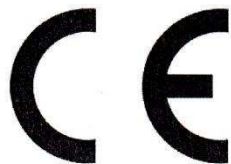
Manufacturer : SHENGFENGHONG ELECTRONICS CO.,LTD.
No.1-2205 Yabao Rd., Bantian, Longgang Distict, Shenzhen, China

Product : Draught fan*cooling fan
M/N : 12032 DC48V B2 BLOWER
SFH12032, SFH1504, SFH1805, SFH2006, SFH2010, SFH2507, SFH2510,
SFH3007, SFH3010, SFH3020, SFH3507, SFH3510, SFH4007, SFH4010,
SFH4015, SFH4020, SFH4028, SFH4056, SFH5010, SFH5012, SFH5015,
SFH5020, SFH5025, SFH6010, SFH6015, SFH6020, SFH6025, SFH6038,
SFH7010, SFH7015, SFH7020, SFH7025, SHF7030, SFH7038, SFH7530,
SFH8010, SFH8015, SFH8020, SFH8025, SFH8038, SFH9010, SFH9015,
SFH9020, SFH9025, SFH9038, SFH9210, SFH9215, SFH9220, SFH9225,
SFH9238, SFH10025, SFH11025, SFH12025, SFH12038, SFH14025,
SFH14038, SFH15050, SFH16050, SFH17238, SFH17251, SFH18060,
SFH20060, SFH22060, SFH25489

Test Standard : EN 55032: 2015, EN 55035:2017
EN 61000-3-2:2014, EN 61000-3-3:2013

Order No. / Report No. : BCTC-LH180601620C/BCTC-LH180601620E

The EUT described above has been tested according to the listed standards and found in compliance with the council EMC directive 2014/30/EU. The observations and test results referenced from this Certificate are relevant only to the sample tested. This Certificate is for the exclusive use of BCTC's Client and is provided pursuant to the agreement between BCTC and its Client. This Certificate is part of the full test report(s) and should be read in conjunction with it.



This certificate of conformity is based on a single evaluation of the submitted sample(s) of the above mentioned product. It does not imply an assessment of the whole product and relevant. Directives have to be observed.

Tel: 400-788-9558 0755-33019988
Http://www.bctc-lab.com Http://www.bctc-lab.com.cn



Shenzhen BCTC Testing Co., Ltd.

BCTC Building & 1-2F, East of B Building, Pengzhou Industrial, Fuyuan 1st Road,
Qiaotou Community, Fuyong Street, Bao'an District, Shenzhen, China



Verification of Conformity

Certificate Number: BCTC-LH180601621C

We herewith confirm the following designated product:

Applicant : SHENGFENGHONG ELECTRONICS CO.,LTD.
No.1-2205 Yabao Rd., Bantian, Longgang Distict, Shenzhen, China

Manufacturer : SHENGFENGHONG ELECTRONICS CO.,LTD.
No.1-2205 Yabao Rd., Bantian, Longgang Distict, Shenzhen, China

Product : Draught fan*cooling fan
M/N : 12032 DC48V B2 BLOWER
SFH12032, SFH1504, SFH1805, SFH2006, SFH2010, SFH2507, SFH2510,
SFH3007, SFH3010, SFH3020, SFH3507, SFH3510, SFH4007, SFH4010, SFH4015,
SFH4020, SFH4028, SFH4056, SFH5010, SFH5012, SFH5015, SFH5020, SFH5025,
SFH6010, SFH6015, SFH6020, SFH6025, SFH6038, SFH7010, SFH7015, SFH7020,
SFH7025, SHF7030, SFH7038, SFH7530, SFH8010, SFH8015, SFH8020, SFH8025,
SFH8038, SFH9010, SFH9015, SFH9020, SFH9025, SFH9038, SFH9210, SFH9215,
SFH9220, SFH9225, SFH9238, SFH10025, SFH11025, SFH12025, SFH12038,
SFH14025, SFH14038, SFH15050, SFH16050, SFH17238, SFH17251, SFH18060,
SFH20060, SFH22060, SFH25489

The submitted sample of the above equipment has been tested and found to comply with the following standards:

- FCC Part 15, Subpart B
- ANSI C63.4: 2014

This verification is part of the full test report(s) and should be read in conjunction with it. The referred Test report(s) show that the product complies with standard(s) recognized as giving presumption of compliance with the essential requirements in the specified FCC standard.

This Verification does not imply assessment of the production of the product.



This certificate of conformity is based on a single evaluation of the submitted sample(s) of the above mentioned product. It does not imply an assessment of the whole product and relevant. Directives have to be observed.

Tel: 400-788-9558 0755-33019988
Http://www.bctc-lab.com Http://www.bctc-lab.com.cn

