



**HESTORE.HU**

elektronikai alkatrész áruház

**EN:** This Datasheet is presented by the manufacturer.

Please visit our website for pricing and availability at [www.hestore.hu](http://www.hestore.hu).

**SAMXON**<sup>®</sup>  
Aluminum Electrolytic Capacitors

# SAMXON

Aluminum Electrolytic Capacitors



PRODUCT CATALOGUE

# QC 080000



# ISO 9001

# ISO 14001



# ACCREDITED

- 002** Series Chart 產品體系圖
- 004** Series Table 產品一覽表
- 006** Application Guidelines 應用指引
- 015** Part Number System 產品編碼
- 016** Taping Specifications 編帶產品規格
- 017** Packing Specifications 包裝規格
- 018** Lead Forming Specifications 成型產品規格

- 019** Miniature Type 小型品
- 023** General Purpose 普通品
- 035** Low Impedance Type 低阻抗品
- 064** High Reliability Type 高可靠品
- 076** High Temperature Type 高溫度品
- 085** For Audio Type 音響用品
- 087** Non-polarized Type 無極性品
- 091** Pen Cap Type 筆型電容

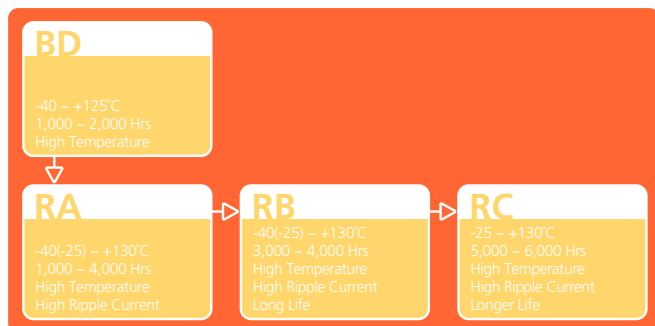
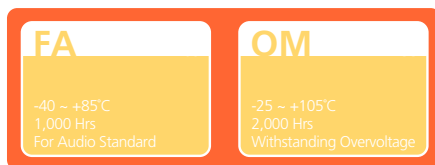
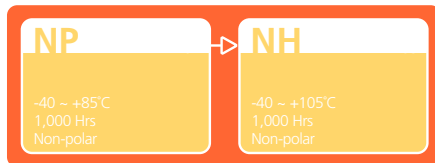
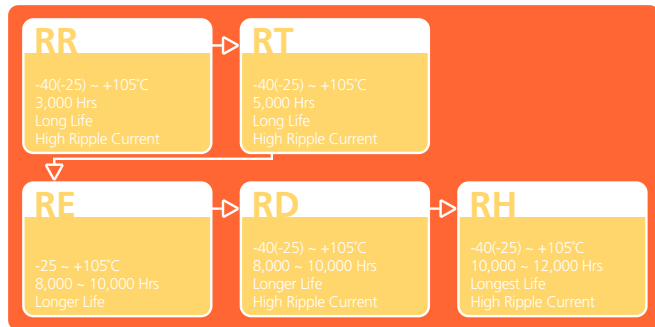
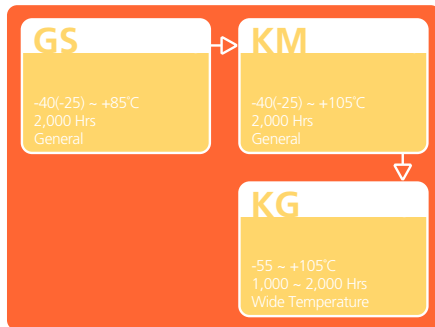
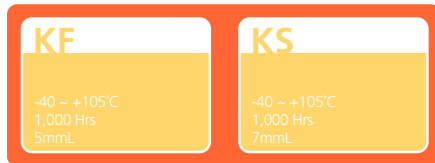
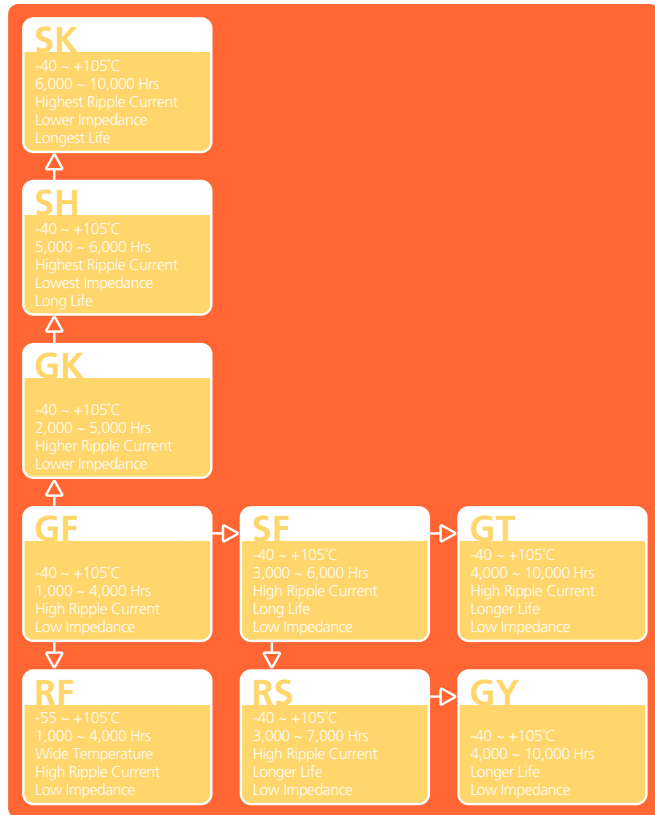
- 097** Lug / Snap-in Terminal Type Case Size Table 插入/自立型產品圖解
- 099** Lug / Snap-in Terminal Standard Type 插入/自立型標準品
- 119** Lug / Snap-in Terminal High Reliability Type 插入/自立型高可靠品
- 155** Screw Terminal Type Case Size Table 螺釘型產品圖解
- 156** Screw Terminal Type 螺釘型

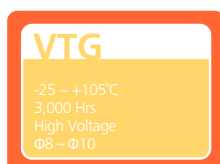
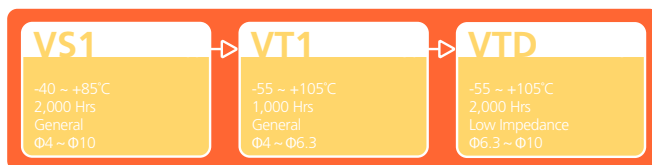
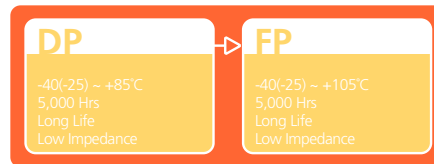
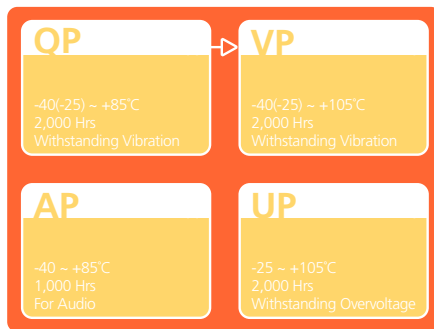
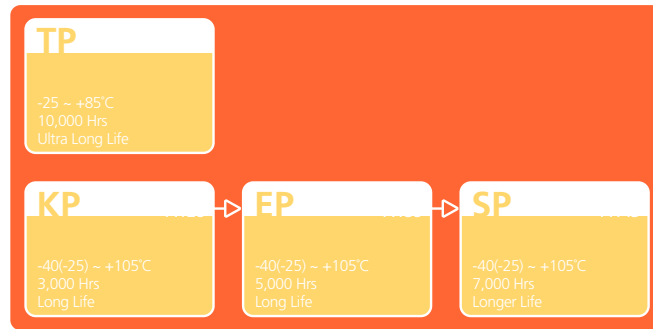
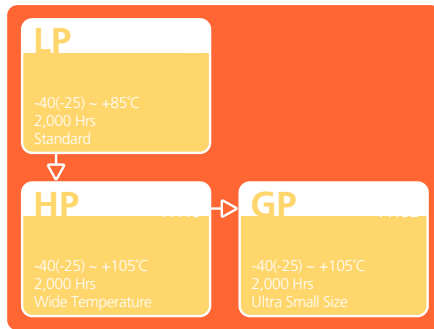
- 187** Surface Mount Type Packing Specifications 貼片品包裝規格
- 188** Surface Mount Type 貼片品

Miniature

Large Can

V-Chip





Series	Features (特點)	Letter Color	Sleeve Color	Temp. (°C)	Voltage (VDC)	Cap. (μF)	Load Life	Page
Miniature Type								小型品
General Purpose								普通品
Low Impedance Type								低阻抗品
High Reliability Type								高可靠品
High Temperature Type								高溫度品
For Audio Type								音響用品
Non-polarized Type								無極性品
Pen Cap Type								筆型電容
Standard Type								標準品

Series	Features (特點)	Letter Color	Sleeve Color	Temp. (°C)	Voltage (VDC)	Cap. (μF)	Load Life	Page
--------	---------------	--------------	--------------	------------	---------------	-----------	-----------	------

High Reliability Type								高可靠品
-----------------------	--	--	--	--	--	--	--	------

Screw Terminal Type								螺釘型
---------------------	--	--	--	--	--	--	--	-----

Surface Mount Type								貼片品
--------------------	--	--	--	--	--	--	--	-----



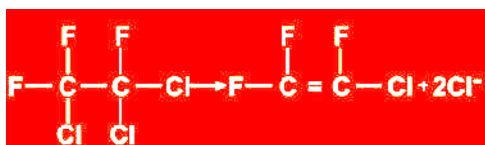
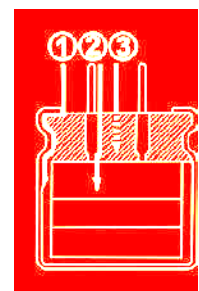


Case Diameter	Gap Required
Φ6.3~16	2mm or more
Φ18~35	3mm or more
Φ40 or more	5mm or more





Chemical Name	Structural Formula	Representative Brand Name
Trichlorotrifluoroethane	C <sub>2</sub> Cl <sub>3</sub> F <sub>3</sub>	Freon TF, Daiflon S-3
Fluorotrichloromethane	CCl <sub>3</sub> F	Freon-11, Daiflon S-1
Trichloroethane	C <sub>2</sub> H <sub>3</sub> Cl <sub>3</sub>	Chloroethene
Trichloroethylene	C <sub>2</sub> HCl <sub>3</sub>	Trichlene
Methyl Chloride	CH <sub>3</sub> Cl	MC

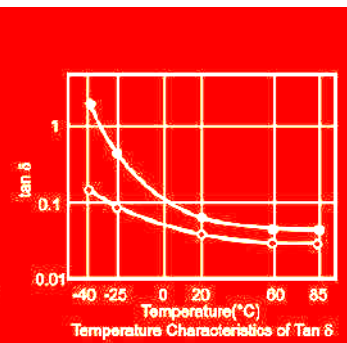
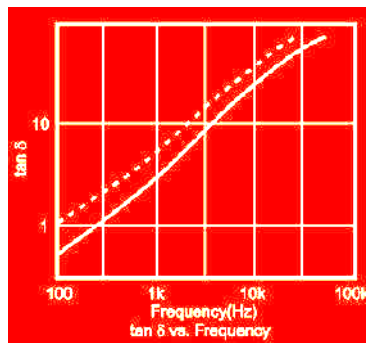
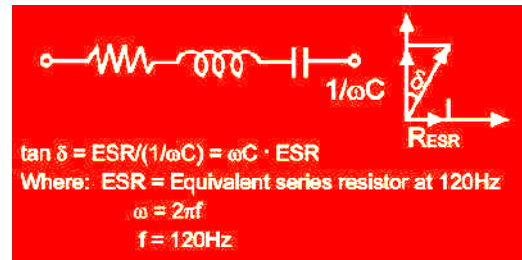
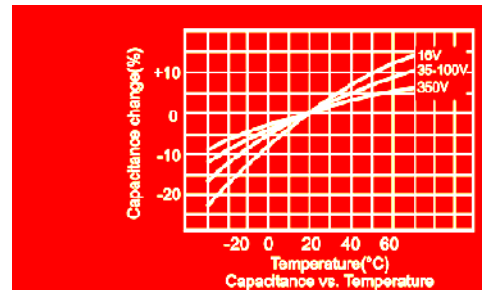
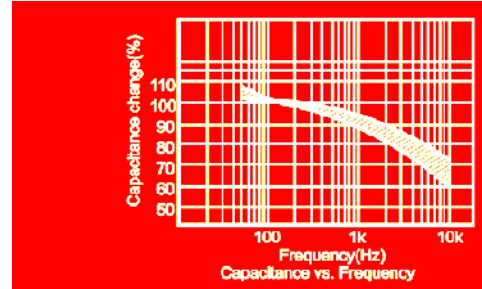


This chlorine ion reacts with aluminum as follows:



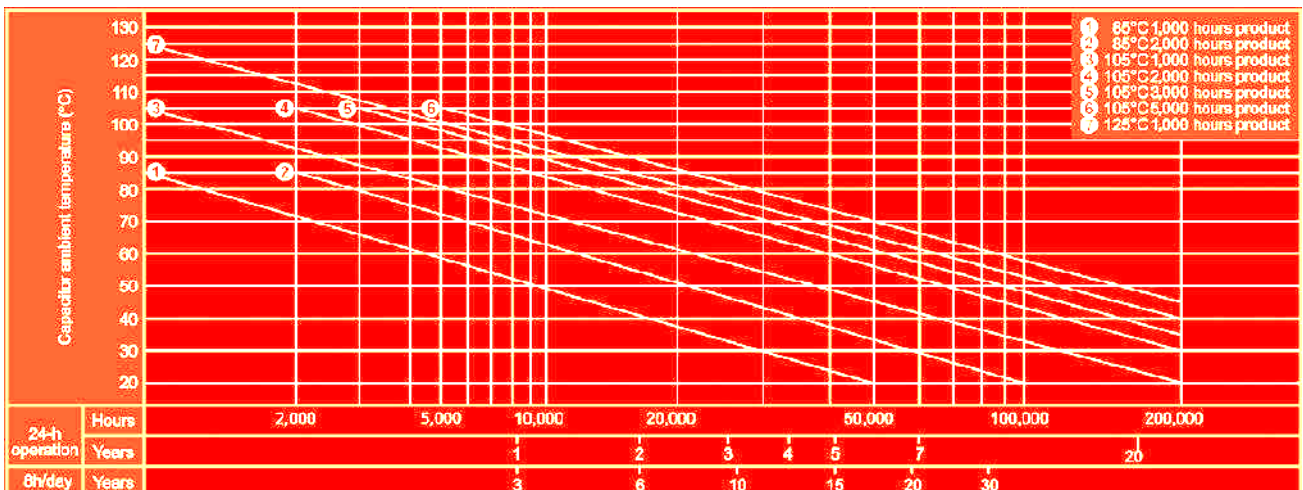
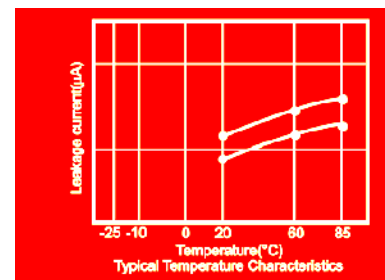
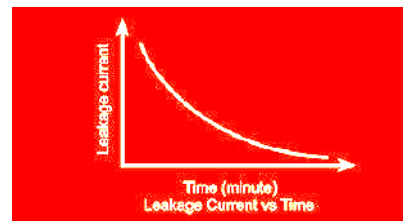
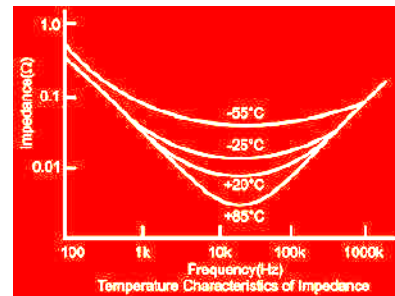
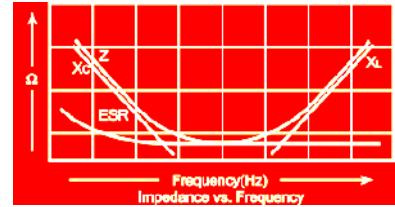
Then AlCl<sub>3</sub> resolves in water, and it becomes:



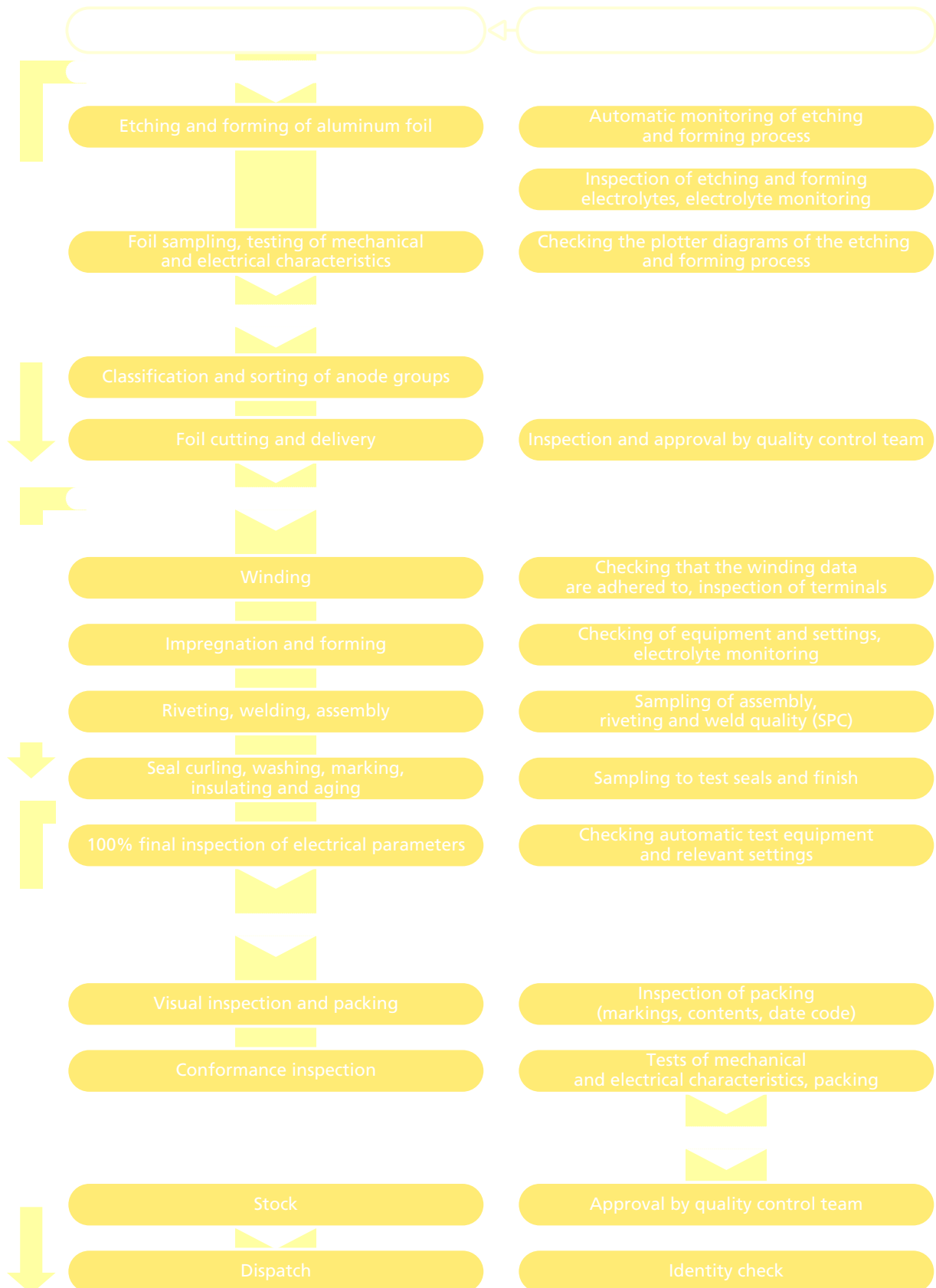


$$Z = \sqrt{ESR^2 + (X_L - X_C)^2}$$

Where:  $X_C = 1/\omega C = 1/2\pi fC$   
 $X_L = \omega L = 2\pi fL$



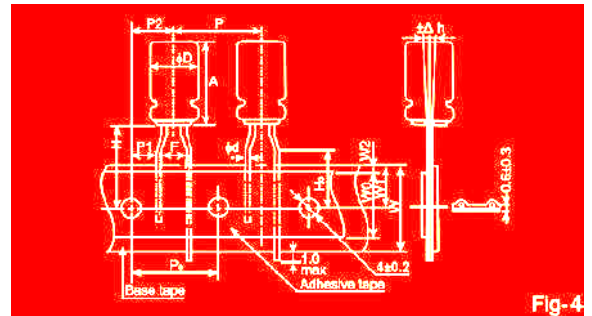
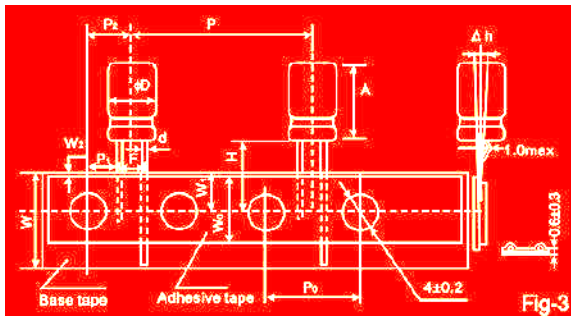
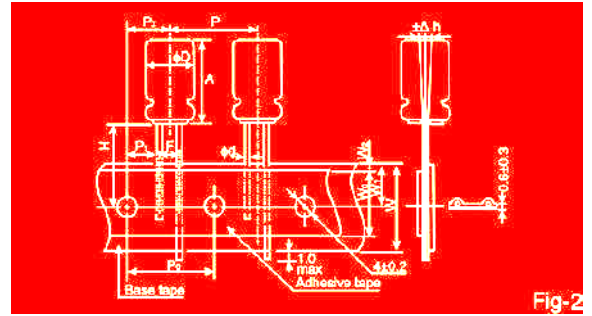
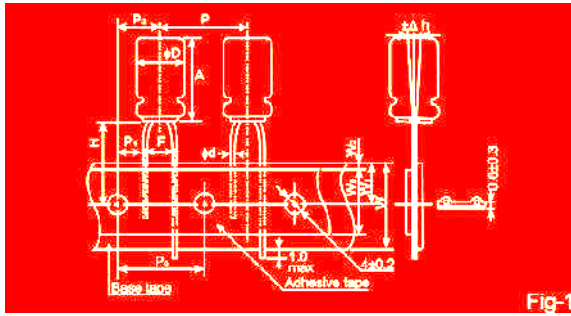


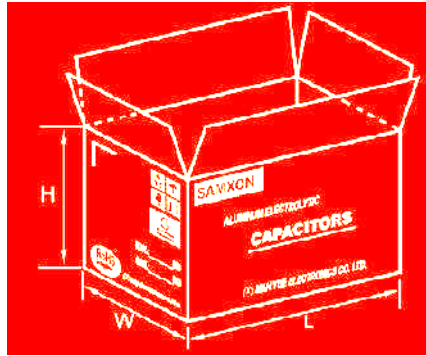








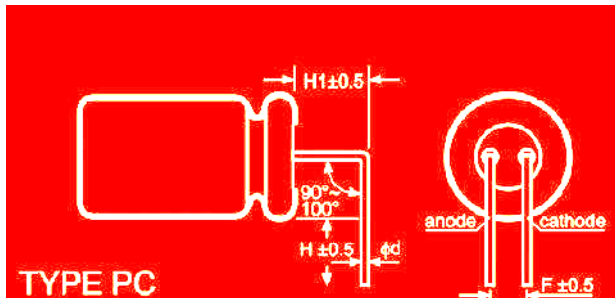
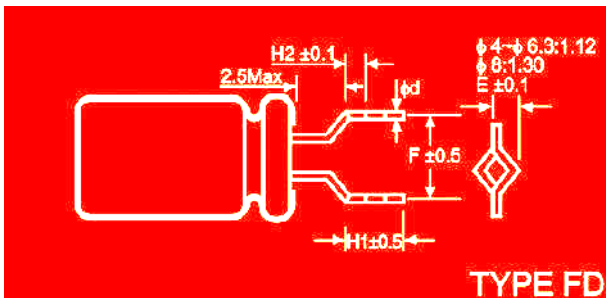
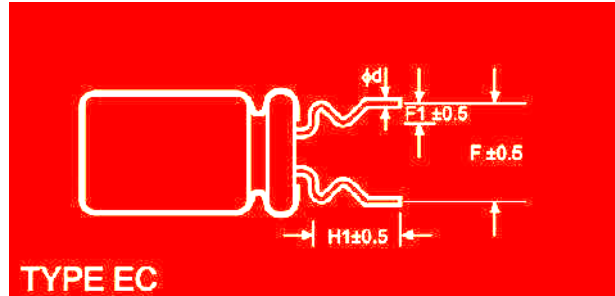
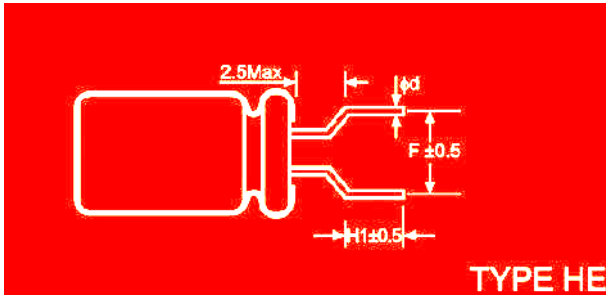
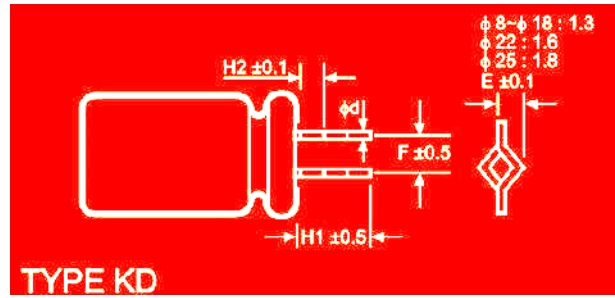
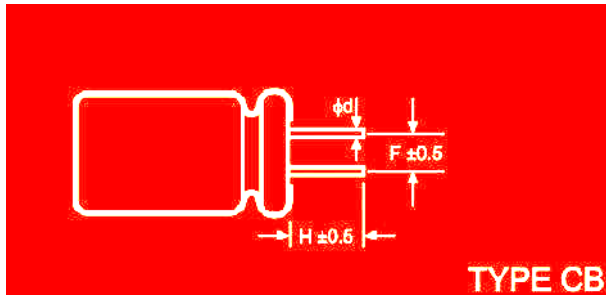




$\Phi D \times L$ (mm)	L (mm)	W (mm)	H (mm)	Inner Box Quantity	Outer Box Quantity
------------------------	--------	--------	--------	--------------------	--------------------

Long Lead Wire Product					
$\Phi D \times L$ (mm)	Plastic Bag Quantity	Inner Box Quantity	Outer Box Quantity	Inner Box Quantity	Outer Box Quantity

Snap-in Terminal Product					
$\Phi D \times L$ (mm)	Inner Box Quantity	Outer Box Quantity	$\Phi D \times L$ (mm)	Inner Box Quantity	Outer Box Quantity



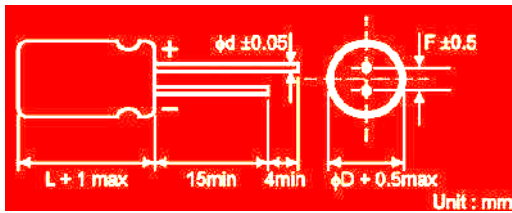
SHAPE CODE	φD	4	5	6.3	8 (L > 5mm)	10	13	16	18
------------	----	---	---	-----	-------------	----	----	----	----



Item Performance Characteristics

Working Voltage (V)  
tan δ (max.)

Working Voltage (V)  
Z-25°C / Z+20°C  
Z-40°C / Z+20°C



1	2,3	4,5,6	7	8,9	10	11,12	13,14
E	KF	336	M	1C	E	05	RR

Voltage (Code)		4V (0G)		6.3V (0J)		10V (1A)		16V (1C)	
Cap. (μF)	Code	Case Size	Ripple Current	Case Size	Ripple Current	Case Size	Ripple Current	Case Size	Ripple Current

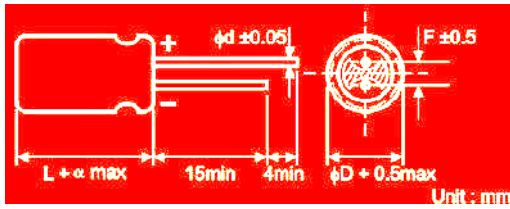
Voltage (Code)		25V (1E)		35V (1V)		50V (1H)	
Cap. (μF)	Code	Case Size	Ripple Current	Case Size	Ripple Current	Case Size	Ripple Current



**Item** | **Performance Characteristics**

Working Voltage (V)  
tan δ (max.)

Working Voltage (V)  
Z-25°C / Z+20°C  
Z-40°C / Z+20°C



1	23	456	7	89	10	11 12	13 14
E	KS	476	M	OJ	D	07	RR



Voltage (Code)		6.3V (0J)		10V (1A)		16V (1C)		25V (1E)	
Cap. (µF)	Code	Case Size	Ripple Current	Case Size	Ripple Current	Case Size	Ripple Current	Case Size	Ripple Current

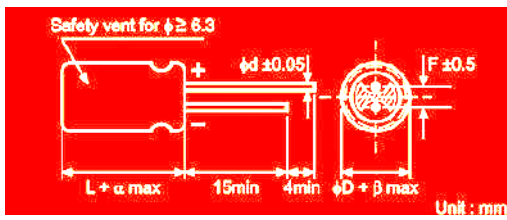
Voltage (Code)		35V (1V)		50V (1H)	
Cap. (µF)	Code	Case Size	Ripple Current	Case Size	Ripple Current



**Item** | **Performance Characteristics**

Working Voltage (V)
tan δ (max.)
Working Voltage (V)
tan δ (max.)

Working Voltage (V)
Z-25°C / Z+20°C
Z-40°C / Z+20°C
Working Voltage (V)
Z-25°C / Z+20°C



1	23	456	7	89	10	11,12	13,14
E	GS	477	M	1C	F	12	RR

Voltage (Code)		6.3V (0J)		10V (1A)		16V (1C)		25V (1E)	
Cap. (μF)	Code	Case Size	Ripple Current	Case Size	Ripple Current	Case Size	Ripple Current	Case Size	Ripple Current

Voltage (Code)		35V (1V)		50V (1H)		63V (1J)		100V (2A)	
Cap. (μF)	Code	Case Size	Ripple Current	Case Size	Ripple Current	Case Size	Ripple Current	Case Size	Ripple Current

Voltage (Code)		160V (2C)		200V (2D)		250V (2E)		350V (2V)	
Cap. (µF)	Code	Case Size	Ripple Current	Case Size	Ripple Current	Case Size	Ripple Current	Case Size	Ripple Current

Voltage (Code)		400V (2G)		450V (2W)	
Cap. (µF)	Code	Case Size	Ripple Current	Case Size	Ripple Current

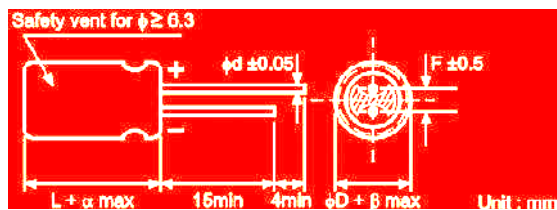




Item Performance Characteristics

Working Voltage (V)
$\tan \delta$ (max.)
Working Voltage (V)
$\tan \delta$ (max.)

Working Voltage (V)
Z-25°C / Z+20°C
Z-40°C / Z+20°C
Working Voltage (V)
Z-25°C / Z+20°C



1	23	456	7	89	10	11,12	13,14
E	KM	337	M	1E	F	12	RR

Voltage (Code)		6.3V (0J)		10V (1A)		16V (1C)		25V (1E)	
Cap. (µF)	Code	Case Size	Ripple Current	Case Size	Ripple Current	Case Size	Ripple Current	Case Size	Ripple Current

Voltage (Code)		35V (1V)		50V (1H)		63V (1J)		100V (2A)	
Cap. (µF)	Code	Case Size	Ripple Current	Case Size	Ripple Current	Case Size	Ripple Current	Case Size	Ripple Current

Voltage (Code)		160V (2C)		200V (2D)		220V (2N)		250V (2E)	
Cap. (μF)	Code	Case Size	Ripple Current	Case Size	Ripple Current	Case Size	Ripple Current	Case Size	Ripple Current

Voltage (Code)		350V (2V)		400V (2G)		420V (2M)		450V (2W)	
Cap. (µF)	Code	Case Size	Ripple Current	Case Size	Ripple Current	Case Size	Ripple Current	Case Size	Ripple Current





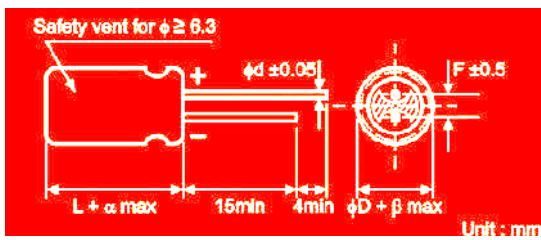
Voltage (Code)		500V (2H)		550V (25)	
Cap. (μF)	Code	Case Size	Ripple Current	Case Size	Ripple Current



**Item** | **Performance Characteristics**

Working Voltage (V)  
tan δ (max.)

Working Voltage (V)  
Z-25°C / Z+20°C  
Z-40°C / Z+20°C



1	23	456	7	89	10	11 12	13 14
E	KG	477	M	1C	F	12	RR

Voltage (Code)		6.3V (0J)		10V (1A)		16V (1C)		25V (1E)	
Cap. (µF)	Code	Case Size	Ripple Current	Case Size	Ripple Current	Case Size	Ripple Current	Case Size	Ripple Current

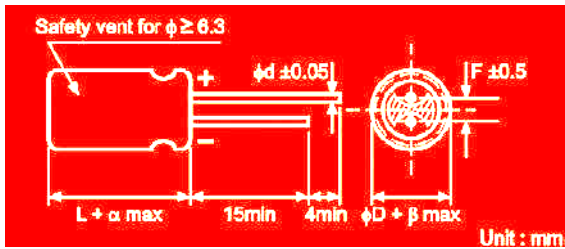
Voltage (Code)		35V (1V)		50V (1H)		63V (1J)		100V (2A)	
Cap. (µF)	Code	Case Size	Ripple Current	Case Size	Ripple Current	Case Size	Ripple Current	Case Size	Ripple Current



**Item** Performance Characteristics

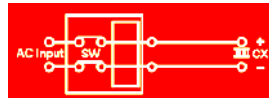
Working Voltage (V)  
tan δ (max.)

Rated Voltage (V)  
Z-25°C / Z+20°C



1	23	456	7	89	10	11 12	13 14
E	OM	107	M	2D	K	25	RR

Voltage (Code)		200V (2D)		400V (2G)	
Cap. (μF)	Code	Case Size	Ripple Current	Case Size	Ripple Current

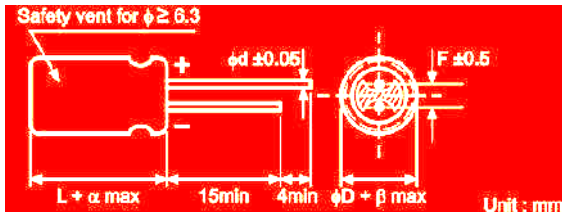




**Item** | **Performance Characteristics**

Working Voltage (V)  
tan δ (max.)

Working Voltage (V)  
Z-25°C / Z+20°C  
Z-40°C / Z+20°C



1	23	4.5	7	8.9	10	11.32	13.14
E	GF	108	M	OJ	G	1B	RR

Voltage (Code)		6.3V (0J)			10V (1A)			16V (1C)		
Cap. (μF)	Code	Case Size	Impedance	Ripple Current	Case Size	Impedance	Ripple Current	Case Size	Impedance	Ripple Current

Voltage (Code)		25V (1E)			35V (1V)			50V (1H)		
Cap. (µF)	Code	Case Size	Impedance	Ripple Current	Case Size	Impedance	Ripple Current	Case Size	Impedance	Ripple Current





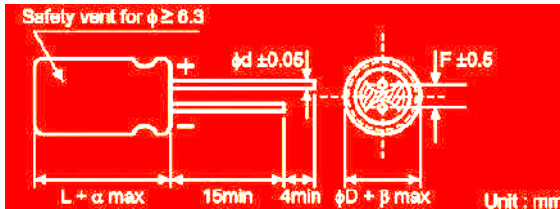
Voltage (Code)		63V (1J)			100V (2A)		
Cap. (μF)	Code	Case Size	Impedance	Ripple Current	Case Size	Impedance	Ripple Current



Item | Performance Characteristics

Working Voltage (V)  
tan δ (max.)

Working Voltage (V)  
Z-25°C / Z+20°C  
Z-40°C / Z+20°C



1	2,3	4,5,6	7	8,9	10	11,12	13,14
E	SF	158	M	1A	G	20	RR

Voltage (Code)		6.3V (0J)			10V (1A)			16V (1C)		
Cap. (µF)	Code	Case Size	Impedance	Ripple Current	Case Size	Impedance	Ripple Current	Case Size	Impedance	Ripple Current

Voltage (Code)		25V (1E)			35V (1V)			50V (1H)		
Cap. (µF)	Code	Case Size	Impedance	Ripple Current	Case Size	Impedance	Ripple Current	Case Size	Impedance	Ripple Current

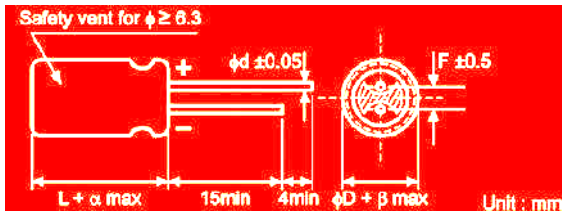
Voltage (Code)		63V (1J)			100V (2A)		
Cap. (µF)	Code	Case Size	Impedance	Ripple Current	Case Size	Impedance	Ripple Current



**Item** | **Performance Characteristics**

Working Voltage (V)  
tan δ (max.)

Rated Voltage (V)  
Z-25°C / Z+20°C  
Z-40°C / Z+20°C



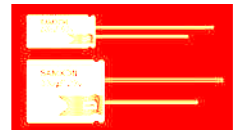
1	2,3	4,5,6	7	8,9	10	11,12	13,14
E	GT	338	M	1A	I	25	RR

Voltage (Code)		6.3V (0J)			10V (1A)			16V (1C)		
Cap. (μF)	Code	Case Size	Impedance	Ripple Current	Case Size	Impedance	Ripple Current	Case Size	Impedance	Ripple Current

Voltage (Code)		25V (1E)			35V (1V)			50V (1H)		
Cap. (µF)	Code	Case Size	Impedance	Ripple Current	Case Size	Impedance	Ripple Current	Case Size	Impedance	Ripple Current



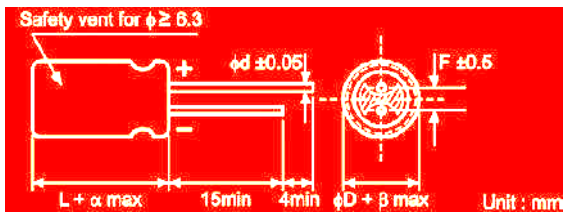
Voltage (Code)		63V (1J)			100V (2A)		
Cap. (μF)	Code	Case Size	Impedance	Ripple Current	Case Size	Impedance	Ripple Current



Item Performance Characteristics

Working Voltage (V)  
tan δ (max.)

Working Voltage (V)  
Z-25°C / Z+20°C



1	2.3	4.5.6	7	8.9	10	11.12	13.14
E	GK	227	M	1E	F	12	RR



Voltage (Code)		6.3V (0J)			10V (1A)			16V (1C)		
Cap. (µF)	Code	Case Size	Impedance	Ripple Current	Case Size	Impedance	Ripple Current	Case Size	Impedance	Ripple Current

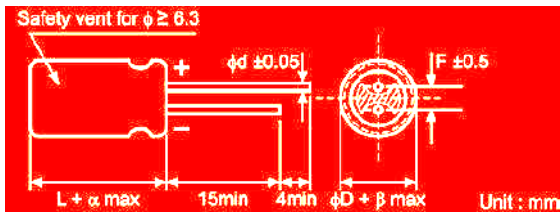
Voltage (Code)		25V (1E)		
Cap. (µF)	Code	Case Size	Impedance	Ripple Current



**Item** | **Performance Characteristics**

Working Voltage (V)  
tan δ (max.)

Working Voltage (V)  
Z-25°C / Z+20°C



1	2.3	4.5.6	7	8.9	10	11.12	13.14
E	SH	108	M	1C	G	16	RR

Voltage (Code)		6.3V (0J)			10V (1A)			16V (1C)		
Cap. (µF)	Code	Case Size	Impedance	Ripple Current	Case Size	Impedance	Ripple Current	Case Size	Impedance	Ripple Current

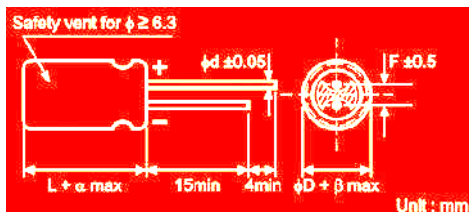
Voltage (Code)		25V (1E)			35V (1V)			50V (1H)		
Cap. (µF)	Code	Case Size	Impedance	Ripple Current	Case Size	Impedance	Ripple Current	Case Size	Impedance	Ripple Current



**Item** | **Performance Characteristics**

Working Voltage (V)  
tan  $\delta$  (max.)

Working Voltage (V)  
Z-25°C / Z+20°C



1	23	456	7	89	10	11 12	13 14
E	SK	108	M	1C	G	16	RR

Voltage (Code)		6.3V (0J)			10V (1A)			16V (1C)		
Cap. (µF)	Code	Case Size	Impedance	Ripple Current	Case Size	Impedance	Ripple Current	Case Size	Impedance	Ripple Current

Voltage (Code)		25V (1E)			35V (1V)			50V (1H)		
Cap. (µF)	Code	Case Size	Impedance	Ripple Current	Case Size	Impedance	Ripple Current	Case Size	Impedance	Ripple Current



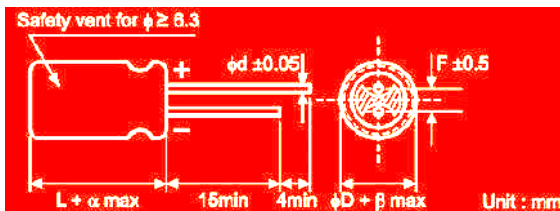
Voltage (Code)		63V (1J)			80V (1K)			100V (2A)		
Cap. (µF)	Code	Case Size	Impedance	Ripple Current	Case Size	Impedance	Ripple Current	Case Size	Impedance	Ripple Current



Item Performance Characteristics

Working Voltage (V)  
tan δ (max.)

Working Voltage (V)  
Z-25°C / Z+20°C  
Z-40°C / Z+20°C



1	2,3	4,5,6	7	8,9	10	11,12	13,14
E	RS	228	M	1V	K	30	RR



Voltage (Code)		6.3V (0J)			10V (1A)			16V (1C)		
Cap. (μF)	Code	Case Size	Impedance	Ripple Current	Case Size	Impedance	Ripple Current	Case Size	Impedance	Ripple Current



Voltage (Code)		25V (1E)			35V (1V)			50V (1H)		
Cap. (µF)	Code	Case Size	Impedance	Ripple Current	Case Size	Impedance	Ripple Current	Case Size	Impedance	Ripple Current



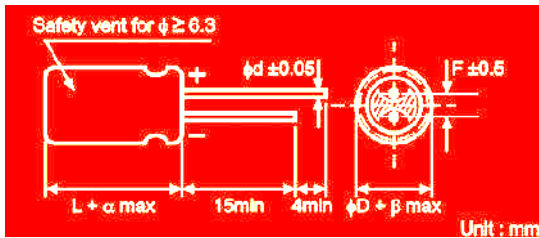
Voltage (Code)		63V (1J)			100V (2A)		
Cap. (μF)	Code	Case Size	Impedance	Ripple Current	Case Size	Impedance	Ripple Current



Item Performance Characteristics

Working Voltage (V)  
tan δ (max.)

Rated Voltage (V)  
Z-25°C / Z+20°C  
Z-40°C / Z+20°C



1	23	456	7	89	10	11 12	13 14
E	GY	108	M	1A	G	16	RR

Voltage (Code)		6.3V (0J)			10V (1A)			16V (1C)		
Cap. (μF)	Code	Case Size	Impedance	Ripple Current	Case Size	Impedance	Ripple Current	Case Size	Impedance	Ripple Current

Voltage (Code)		25V (1E)			35V (1V)			50V (1H)		
Cap. (μF)	Code	Case Size	Impedance	Ripple Current	Case Size	Impedance	Ripple Current	Case Size	Impedance	Ripple Current

Voltage (Code)		63V (1J)			100V (2A)		
Cap. (μF)	Code	Case Size	Impedance	Ripple Current	Case Size	Impedance	Ripple Current

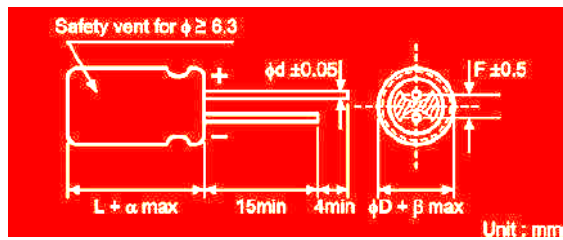




Item Performance Characteristics

Working Voltage (V)  
tan δ (max.)

Working Voltage (V)  
Z-25°C / Z+20°C  
Z-40°C / Z+20°C



1	23	456	7	89	10	11 12	13 14
E	RF	337	M	1C	F	12	RR

Voltage (Code)		6.3V (0J)			10V (1A)			16V (1C)		
Cap. (μF)	Code	Case Size	Impedance	Ripple Current	Case Size	Impedance	Ripple Current	Case Size	Impedance	Ripple Current



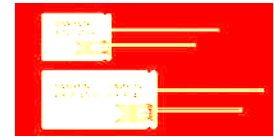


Voltage (Code)		25V (1E)			35V (1V)			50V (1H)		
Cap. (µF)	Code	Case Size	Impedance	Ripple Current	Case Size	Impedance	Ripple Current	Case Size	Impedance	Ripple Current



Voltage (Code)		63V (1J)			100V (2A)		
Cap. (μF)	Code	Case Size	Impedance	Ripple Current	Case Size	Impedance	Ripple Current



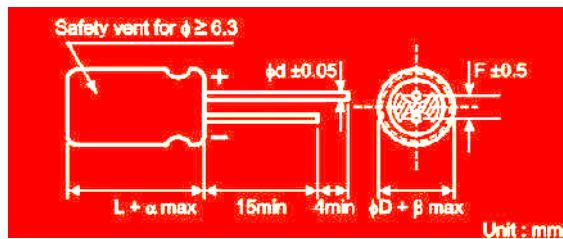


Item Performance Characteristics

Working Voltage (V)  
tan δ (max.)

Working Voltage (V)  
Surge Voltage (V)

Working Voltage (V)  
Z-25°C / Z+20°C



1	23	456	7	89	10	11,12	13,14
E	RR	227	M	2D	L	30	RR

Voltage (Code)		160V (2C)		200V (2D)		250V (2E)		350V (2V)	
Cap. (μF)	Code	Case Size	Ripple Current	Case Size	Ripple Current	Case Size	Ripple Current	Case Size	Ripple Current

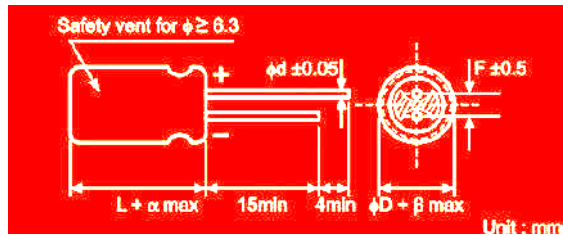
Voltage (Code)		400V (2G)		450V (2W)		500V (2H)	
Cap. (μF)	Code	Case Size	Ripple Current	Case Size	Ripple Current	Case Size	Ripple Current



**Item** | **Performance Characteristics**

Working Voltage (V)  
tan δ (max.)

Working Voltage (V)  
Z-25°C / Z+20°C



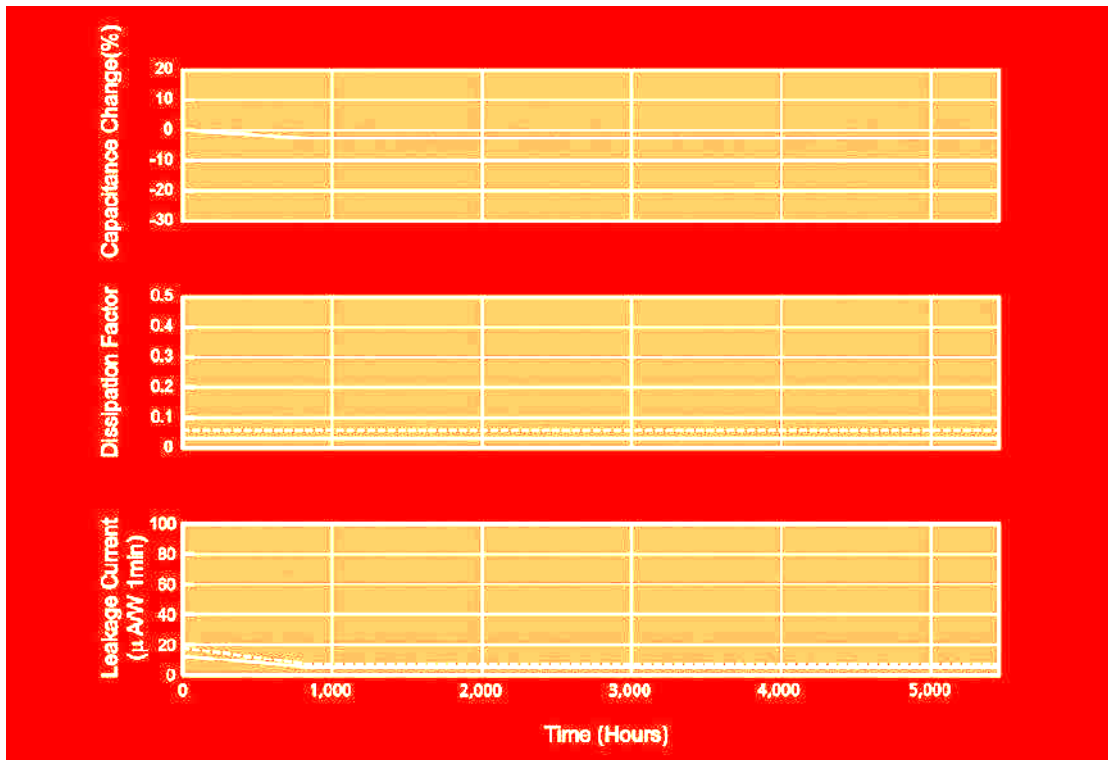
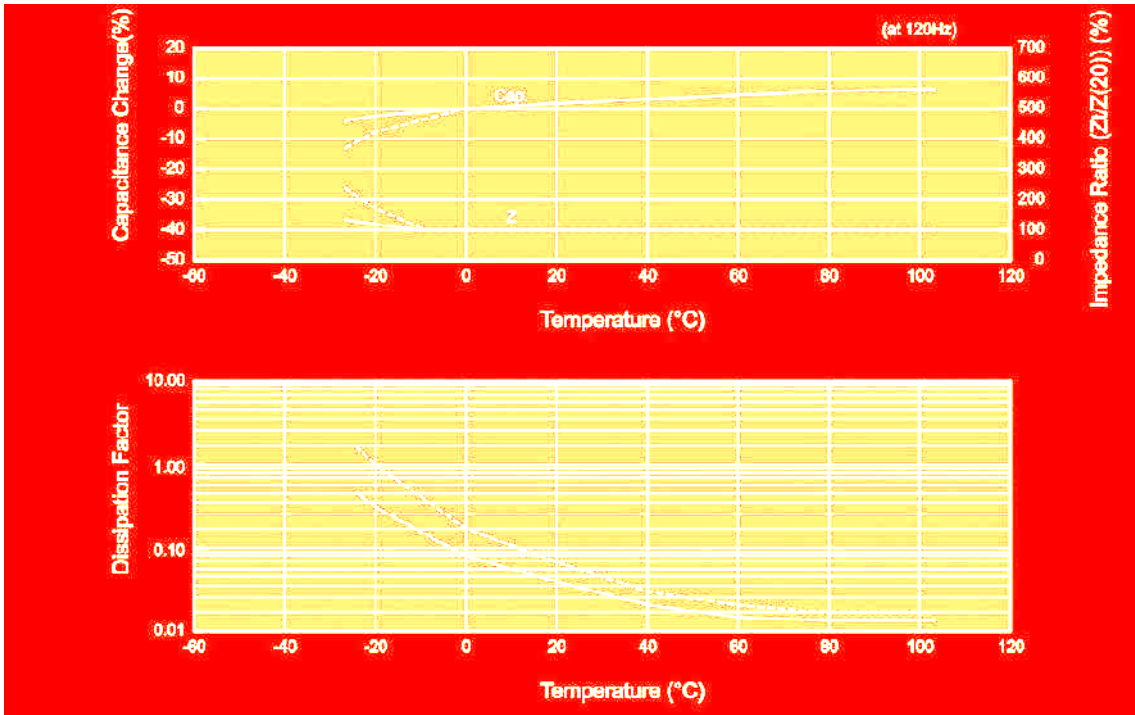
1	2.3	4.5	7	8.5	10	11.32	13.14
E	RT	226	M	2E	G	20	RR

Voltage (Code)		160V (2C)		200V (2D)		250V (2E)		350V (2V)	
Cap. (μF)	Code	Case Size	Ripple Current	Case Size	Ripple Current	Case Size	Ripple Current	Case Size	Ripple Current



Voltage (Code)		400V (2G)		450V (2W)		500V (2H)	
Cap. (μF)	Code	Case Size	Ripple Current	Case Size	Ripple Current	Case Size	Ripple Current





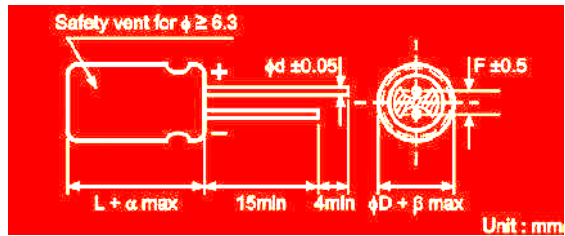




Item Performance Characteristics

Working Voltage (V)  
tan δ (max.)

Rated Voltage (V)  
Z-25°C / Z+20°C



1	2,3	4,5,6	7	8,9	10	11,12	13,14
E	RE	227	M	2D	L	30	RR

Voltage (Code)		160V (2C)		200V (2D)		250V (2E)		350V (2V)	
Cap. (µF)	Code	Case Size	Ripple Current	Case Size	Ripple Current	Case Size	Ripple Current	Case Size	Ripple Current

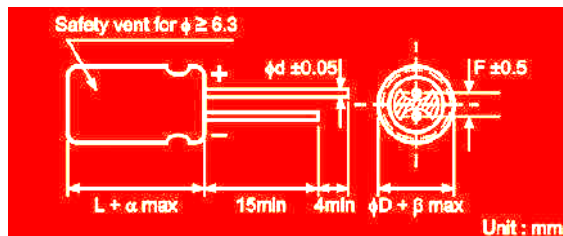
Voltage (Code)		400V (2G)		450V (2W)	
Cap. (µF)	Code	Case Size	Ripple Current	Case Size	Ripple Current



Item Performance Characteristics

Working Voltage (V)  
tan δ (max.)

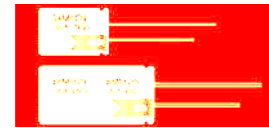
Rated Voltage (V)  
Z-25°C / Z+20°C



1	2.3	4.5.6	7	8.9	10	11.12	13.14
E	RD	336	M	2V	K	20	RR

Voltage (Code)		160V (2C)		200V (2D)		250V (2E)		350V (2V)	
Cap. (µF)	Code	Case Size	Ripple Current	Case Size	Ripple Current	Case Size	Ripple Current	Case Size	Ripple Current

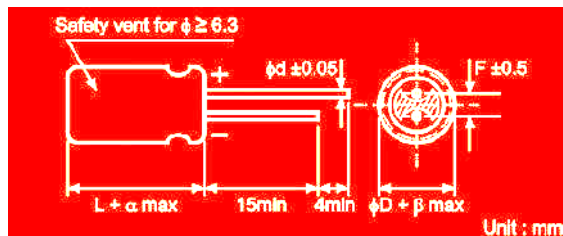
Voltage (Code)		400V (2G)		450V (2W)		500V (2H)	
Cap. (µF)	Code	Case Size	Ripple Current	Case Size	Ripple Current	Case Size	Ripple Current



Item Performance Characteristics

Working Voltage (V)  
tan δ (max.)

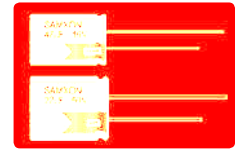
Rated Voltage (V)  
Z-25°C / Z+20°C



1	23	456	7	89	10	1112	1314
E	RH	226	M	2C	G	20	RR

Voltage (Code)		160V (2C)		200V (2D)		250V (2E)		350V (2V)	
Cap. (µF)	Code	Case Size	Ripple Current	Case Size	Ripple Current	Case Size	Ripple Current	Case Size	Ripple Current

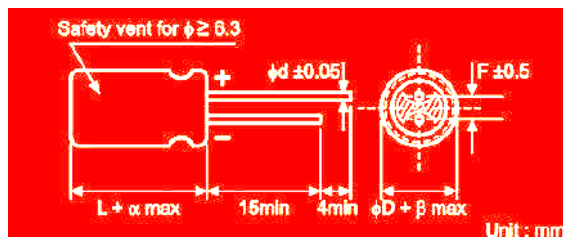
Voltage (Code)		400V (2G)		450V (2W)		500V (2H)	
Cap. (µF)	Code	Case Size	Ripple Current	Case Size	Ripple Current	Case Size	Ripple Current



Item Performance Characteristics

Working Voltage (V)  
tan  $\delta$  (max.)

Working Voltage (V)  
Z-25°C / Z+20°C  
Z-40°C / Z+20°C



1	2.3	4.5	7	9.5	10	11.32	13.14
E	BD	337	M	1C	F	12	RR

Voltage (Code)		10V (1A)		16V (1C)		25V (1E)		35V (1E)		50V (1H)	
Cap. (µF)	Code	Case Size	Ripple Current	Case Size	Ripple Current	Case Size	Ripple Current	Case Size	Ripple Current	Case Size	Ripple Current



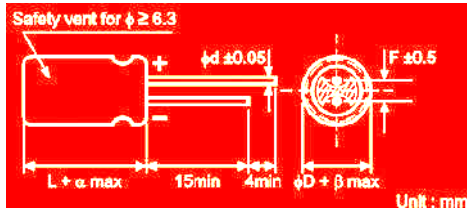




Item Performance Characteristics

Working Voltage (V)  
tan δ (max.)

Working Voltage (V)  
Z-25°C / Z+20°C  
Z-40°C / Z+20°C



1	23	456	7	89	10	11 12	13 14
E	RA	108	M	1C	G	20	RR

Voltage (Code)		10V (1A)			16V (1C)		
Cap. (µF)	Code	Case Size	Impedance	Ripple Current	Case Size	Impedance	Ripple Current

Voltage (Code)		25V (1E)			35V (1V)		
Cap. (µF)	Code	Case Size	Impedance	Ripple Current	Case Size	Impedance	Ripple Current

Voltage (Code)		50V (1H)			63V (1J)			100V (2A)		
Cap. (µF)	Code	Case Size	Impedance	Ripple Current	Case Size	Impedance	Ripple Current	Case Size	Impedance	Ripple Current

Voltage (Code)		200V (2D)		250V (2E)	
Cap. (µF)	Code	Case Size	Ripple Current	Case Size	Ripple Current

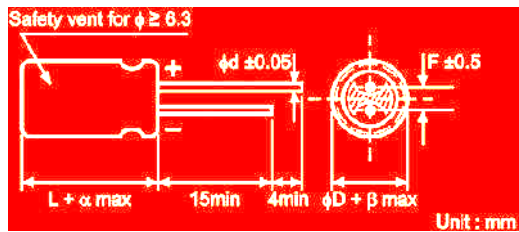
Voltage (Code)		350V (2V)		400V (2G)		450V (2W)	
Cap. (µF)	Code	Case Size	Ripple Current	Case Size	Ripple Current	Case Size	Ripple Current



Item Performance Characteristics

Working Voltage (V)  
tan δ (max.)

Rated Voltage (V)  
Z-25°C / Z+20°C



1	2,3	4,5,6	7	8,9	10	11,12	13,14
E	RB	107	M	2D	K	35	RR

Voltage (Code)		160V (2C)		200V (2D)		250V (2E)		350V (2V)	
Cap. (µF)	Code	Case Size	Ripple Current	Case Size	Ripple Current	Case Size	Ripple Current	Case Size	Ripple Current

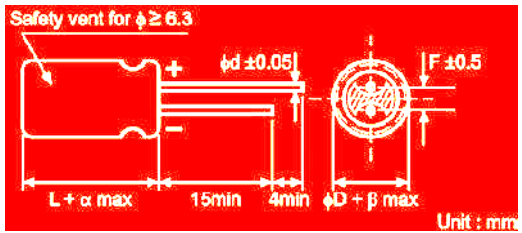
Voltage (Code)		400V (2G)		450V (2W)	
Cap. (µF)	Code	Case Size	Ripple Current	Case Size	Ripple Current



Item Performance Characteristics

Working Voltage (V)  
tan δ (max.)

Rated Voltage (V)  
Z-25°C / Z+20°C



1	2.3	4.5.6	7	8.9	10	11.12	13.14
E	RC	106	M	2E	G	16	RR

Voltage (Code)		160V (2C)		200V (2D)		250V (2E)		350V (2V)	
Cap. (μF)	Code	Case Size	Ripple Current	Case Size	Ripple Current	Case Size	Ripple Current	Case Size	Ripple Current

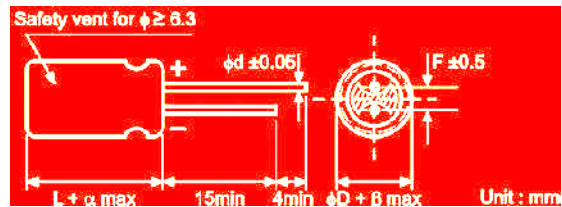
Voltage (Code)		400V (2G)		450V (2W)	
Cap. (μF)	Code	Case Size	Ripple Current	Case Size	Ripple Current



Item Performance Characteristics

Working Voltage (V)  
tan δ (max.)

Working Voltage (V)  
Z-25°C / Z+20°C  
Z-40°C / Z+20°C



1	23	456	7	89	10	11,12	13,14
E	FA	227	M	1E	G	16	RR



Voltage (Code)		6.3V (0J)		10V (1A)		16V (1C)		25V (1E)	
Cap. (µF)	Code	Case Size	Ripple Current	Case Size	Ripple Current	Case Size	Ripple Current	Case Size	Ripple Current

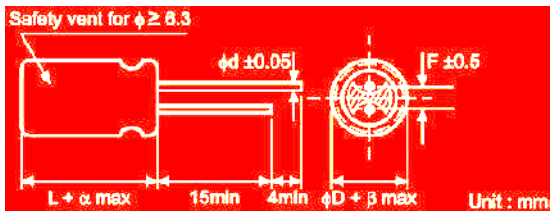
Voltage (Code)		35V (1V)		50V (1H)		63V (1J)		100V (2A)	
Cap. (µF)	Code	Case Size	Ripple Current	Case Size	Ripple Current	Case Size	Ripple Current	Case Size	Ripple Current



Item Performance Characteristics

Working Voltage (V)  
Tan δ (max.)

Working Voltage (V)  
Z-25°C / Z+20°C  
Z-40°C / Z+20°C



1	2,3	4,5,6	7	8,9	10	11,12	13,14
E	NP	107	M	1C	F	12	RR

Voltage (Code)		6.3V (0J)		10V (1A)		16V (1C)		25V (1E)	
Cap. (µF)	Code	Case Size	Ripple Current	Case Size	Ripple Current	Case Size	Ripple Current	Case Size	Ripple Current

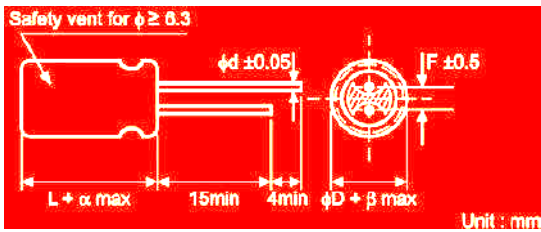
Voltage (Code)		35V (1V)		50V (1H)		63V (1J)		100V (2A)	
Cap. (µF)	Code	Case Size	Ripple Current	Case Size	Ripple Current	Case Size	Ripple Current	Case Size	Ripple Current



Item Performance Characteristics

Working Voltage (V)  
tan δ (max.)

Working Voltage (V)  
Z-25°C / Z+20°C  
Z-40°C / Z+20°C



1	23	456	7	89	10	1112	1314
E	NH	476	M	1A	E	11	RR

Voltage (Code)		6.3V (0J)		10V (1A)		16V (1C)		25V (1E)	
Cap. (µF)	Code	Case Size	Ripple Current	Case Size	Ripple Current	Case Size	Ripple Current	Case Size	Ripple Current

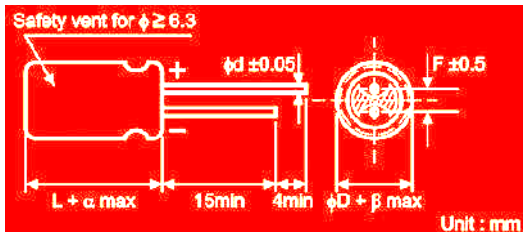
Voltage (Code)		35V (1V)		50V (1H)		63V (1J)		100V (2A)	
Cap. (µF)	Code	Case Size	Ripple Current	Case Size	Ripple Current	Case Size	Ripple Current	Case Size	Ripple Current



Item Performance Characteristics

Working Voltage (V)  
tan δ (max.)

Rated Voltage (V)  
Z-25°C / Z+20°C



1	23	456	7	89	10	1112	1314
E	KM	227	M	2D	I	50	RR

Voltage (Code)		200V (2D)		220V (2N)		250V (2E)	
Cap. (μF)	Code	Case Size	Ripple Current	Case Size	Ripple Current	Case Size	Ripple Current

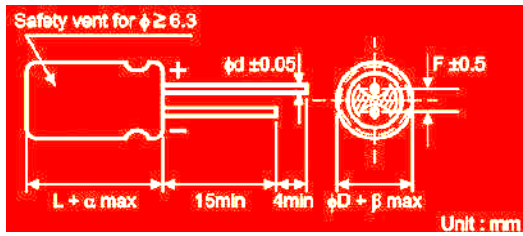
Voltage (Code)		400V (2G)		420V (2M)		450V (2W)	
Cap. (μF)	Code	Case Size	Ripple Current	Case Size	Ripple Current	Case Size	Ripple Current



Item Performance Characteristics

Working Voltage (V)  
tan δ (max.)

Rated Voltage (V)  
Z-25°C / Z+20°C



1	2,3	4,5,6	7	8,9	10	11,12	13,14
E	RW	157	M	2E	I	50	RR



Voltage (Code)		200V (2D)		220V (2N)		250V (2E)	
Cap. (μF)	Code	Case Size	Ripple Current	Case Size	Ripple Current	Case Size	Ripple Current

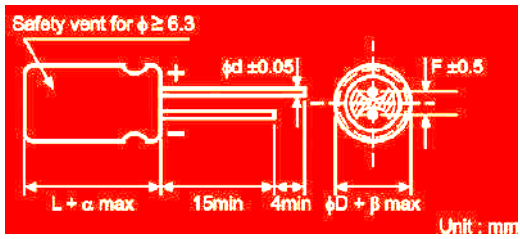
Voltage (Code)		400V (2G)		420V (2M)		450V (2W)	
Cap. (μF)	Code	Case Size	Ripple Current	Case Size	Ripple Current	Case Size	Ripple Current



Item Performance Characteristics

Working Voltage (V)  
tan δ (max.)

Rated Voltage (V)  
Z-25°C / Z+20°C



1	2,3	4,5,6	7	8,9	10	11,12	13,14
E	RY	157	M	2E	I	50	RR

Voltage (Code)		200V (2D)		220V (2N)		250V (2E)	
Cap. (μF)	Code	Case Size	Ripple Current	Case Size	Ripple Current	Case Size	Ripple Current

Voltage (Code)		400V (2G)		420V (2M)		450V (2W)	
Cap. (μF)	Code	Case Size	Ripple Current	Case Size	Ripple Current	Case Size	Ripple Current

**SW-Type**  $\phi D = \phi 20 - \phi 40$

PC Board Mounting Holes

Unit: mm

**SZ-Type**  $\phi D = \phi 20 - \phi 40$

PC Board Mounting Holes

Unit: mm

**SG-Type**

$\phi D$	35	40	50	63	76
P	14	14	18	25	25

PC Board Mounting Holes

Unit: mm

**SX-Type**  $\phi D = \phi 35 - \phi 50$

PC Board Mounting Holes

Unit: mm

**LD-Type**  $\phi D = \phi 30 - \phi 40$

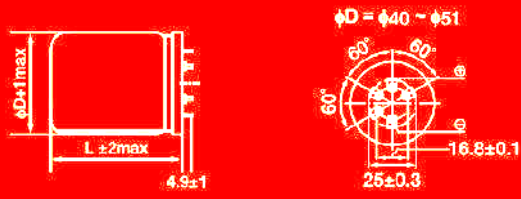
PC Board Mounting Holes

Unit: mm

**ST-Type**  $\phi D = \phi 25 - \phi 35$

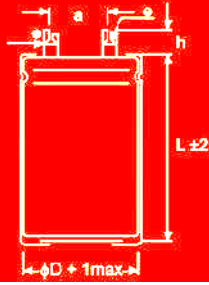
Unit: mm

FE-Type

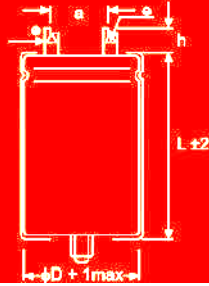


Unit:mm

VO-Type



VO-Type  
成品带螺柱





**Item** Performance Characteristics

Working Voltage (V)  
tan δ (max.)

Working Voltage (V)  
tan δ (max.)

Working Voltage (V)  
Z-25°C / Z+20°C  
Z-40°C / Z+20°C

1	23	456	7	89	10	11 12	13 14
E	LP	337	M	2E	N	30	SW

Voltage (Code)		10V (1A)		16V (1C)		25V (1E)		35V (1V)	
Cap. (μF)	Code	Case Size	Ripple Current	Case Size	Ripple Current	Case Size	Ripple Current	Case Size	Ripple Current

Voltage (Code)		50V (1H)		63V (1J)		80V (1K)		100V (2A)	
Cap. (μF)	Code	Case Size	Ripple Current	Case Size	Ripple Current	Case Size	Ripple Current	Case Size	Ripple Current





Voltage (Code)		160V (2C)		180V (2P)		200V (2D)		220V (2N)	
Cap. (μF)	Code	Case Size	Ripple Current	Case Size	Ripple Current	Case Size	Ripple Current	Case Size	Ripple Current



Voltage (Code)		250V (2E)		315V (2F)		350V (2V)		385V (2Y)	
Cap. (μF)	Code	Case Size	Ripple Current	Case Size	Ripple Current	Case Size	Ripple Current	Case Size	Ripple Current



Voltage (Code)		400V (2G)		420V (2M)		450V (2W)		500V (2H)	
Cap. (μF)	Code	Case Size	Ripple Current	Case Size	Ripple Current	Case Size	Ripple Current	Case Size	Ripple Current



Voltage (Code)		550V (25)		600V (26)		650V (F5)		700V (25)	
Cap. (μF)	Code	Case Size	Ripple Current	Case Size	Ripple Current	Case Size	Ripple Current	Case Size	Ripple Current





**Item** | **Performance Characteristics**

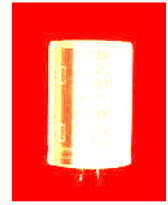
Working Voltage (V)  
tan δ (max.)

Working Voltage (V)  
Z-25°C / Z+20°C  
Z-40°C / Z+20°C

1	2,3	4,5,6	7	8,9	10	11,12	13,14
E	AP	478	M	1C	N	25	SW

Voltage (Code)		16V (1C)		25V (1E)		35V (1V)		63V (1J)	
Cap. (µF)	Code	Case Size	Ripple Current	Case Size	Ripple Current	Case Size	Ripple Current	Case Size	Ripple Current

Voltage (Code)		80V (1K)		100V (2A)	
Cap. (µF)	Code	Case Size	Ripple Current	Case Size	Ripple Current



**Item** | **Performance Characteristics**

Working Voltage (V)  
tan δ (max.)

Working Voltage (V)  
tan δ (max.)

Working Voltage (V)  
Z-25°C / Z+20°C  
Z-40°C / Z+20°C

1	2,3	4,5,6	7	8,9	10	11,12	13,14
E	QP	108	M	2C	O	40	SW

Voltage (Code)		10V (1A)		16V (1C)		25V (1E)		35V (1V)	
Cap. (μF)	Code	Case Size	Ripple Current	Case Size	Ripple Current	Case Size	Ripple Current	Case Size	Ripple Current





Voltage (Code)		50V (1H)		63V (1J)		80V (1K)		100V (2A)	
Cap. (μF)	Code	Case Size	Ripple Current	Case Size	Ripple Current	Case Size	Ripple Current	Case Size	Ripple Current



Voltage (Code)		160V (2C)		180V (2P)		200V (2D)		220V (2N)	
Cap. (µF)	Code	Case Size	Ripple Current	Case Size	Ripple Current	Case Size	Ripple Current	Case Size	Ripple Current



Voltage (Code)		250V (2E)		315V (2F)		350V (2V)		385V (2Y)	
Cap. (µF)	Code	Case Size	Ripple Current	Case Size	Ripple Current	Case Size	Ripple Current	Case Size	Ripple Current



Voltage (Code)		400V (2G)		420V (2M)		450V (2W)		500V (2H)	
Cap. (µF)	Code	Case Size	Ripple Current	Case Size	Ripple Current	Case Size	Ripple Current	Case Size	Ripple Current





Item Performance Characteristics

Working Voltage (V)  
tan δ (max.)

Working Voltage (V)  
Z-25°C / Z+20°C  
Z-40°C / Z+20°C

1	2,3	4,5,6	7	8,9	10	11,12	13,14
E	DP	337	M	2G	P	45	SW

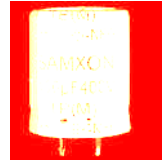
Voltage (Code)		160V (2C)			200V (2D)			250V (2E)		
Cap. (µF)	Code	Case Size	Impedance	Ripple Current	Case Size	Impedance	Ripple Current	Case Size	Impedance	Ripple Current

Voltage (Code)		385V (2Y)			400V (2G)			420V (2M)		
Cap. (µF)	Code	Case Size	Impedance	Ripple Current	Case Size	Impedance	Ripple Current	Case Size	Impedance	Ripple Current

Voltage (Code)		450V (2W)		
Cap. (µF)	Code	Case Size	Impedance	Ripple Current

Voltage (Code)		500V (2H)		550V (25)		600V (26)		650V (F5)	
Cap. (μF)	Code	Case Size	Ripple Current	Case Size	Ripple Current	Case Size	Ripple Current	Case Size	Ripple Current





Item Performance Characteristics

Working Voltage (V)  
tan δ (max.)

Working Voltage (V)  
Z-25°C / Z+20°C

1	2,3	4,5,6	7	8,9	10	11,12	13,14
E	TP	477	M	2D	O	30	SW



Voltage (Code)		200V (2D)		250V (2E)		400V (2G)		450V (2W)	
Cap. (μF)	Code	Case Size	Ripple Current	Case Size	Ripple Current	Case Size	Ripple Current	Case Size	Ripple Current



**Item** Performance Characteristics

Working Voltage (V)
$\tan \delta$ (max.)
Working Voltage (V)
$\tan \delta$ (max.)

Working Voltage (V)
Z-25°C / Z+20°C
Z-40°C / Z+20°C
Working Voltage (V)
Z-25°C / Z+20°C

1	2,3	4,5,6	7	8,9	10	11,12	13,14
E	HP	227	M	2V	O	35	SW

Voltage (Code)		10V (1A)		16V (1C)		25V (1E)		35V (1V)	
Cap. (μF)	Code	Case Size	Ripple Current	Case Size	Ripple Current	Case Size	Ripple Current	Case Size	Ripple Current

Voltage (Code)		50V (1H)		63V (1J)		80V (1K)		100V (2A)	
Cap. (µF)	Code	Case Size	Ripple Current	Case Size	Ripple Current	Case Size	Ripple Current	Case Size	Ripple Current



Voltage (Code)		160V (2C)		180V (2F)		200V (2D)		220V (2N)	
Cap. (μF)	Code	Case Size	Ripple Current	Case Size	Ripple Current	Case Size	Ripple Current	Case Size	Ripple Current

Voltage (Code)		250V (2E)		315V (2F)		350V (2V)		385V (2Y)	
Cap. (µF)	Code	Case Size	Ripple Current	Case Size	Ripple Current	Case Size	Ripple Current	Case Size	Ripple Current



Voltage (Code)		400V (2G)		420V (2M)		450V (2W)	
Cap. (μF)	Code	Case Size	Ripple Current	Case Size	Ripple Current	Case Size	Ripple Current

Voltage (Code)		500V (2H)		550V (25)		600V (26)	
Cap. (μF)	Code	Case Size	Ripple Current	Case Size	Ripple Current	Case Size	Ripple Current







**Item** | **Performance Characteristics**

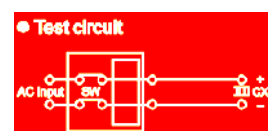
Working Voltage (V)  
tan  $\delta$  (max.)

Rated Voltage (V)  
Z-25°C / Z+20°C

1	23	456	7	89	10	11 12	13 14
E	UP	227	M	2D	N	25	SW

Voltage (Code)		200V (2D)		250V (2E)		400V (2G)		450V (2W)	
Cap. (μF)	Code	Case Size	Ripple Current	Case Size	Ripple Current	Case Size	Ripple Current	Case Size	Ripple Current

Rated voltage	Normal Capacitance	Current Limit	Test Voltage
---------------	--------------------	---------------	--------------





**Item** | **Performance Characteristics**

Working Voltage (V)  
tan δ (max.)

Working Voltage (V)  
tan δ (max.)

Working Voltage (V)  
Z-25°C / Z+20°C  
Z-40°C / Z+20°C

Working Voltage (V)  
Z-25°C / Z+20°C

1	2,3	4,5,6	7	8,9	10	11,12	13,14
E	KP	107	M	2G	O	25	S W

Voltage (Code)		10V (1A)		16V (1C)		25V (1E)		35V (1V)	
Cap. (µF)	Code	Case Size	Ripple Current	Case Size	Ripple Current	Case Size	Ripple Current	Case Size	Ripple Current



Voltage (Code)		50V (1H)		63V (1J)		80V (1K)		100V (2A)	
Cap. (μF)	Code	Case Size	Ripple Current	Case Size	Ripple Current	Case Size	Ripple Current	Case Size	Ripple Current



Voltage (Code)		160V (2C)		180V (2P)		200V (2D)		220V (2N)	
Cap. (μF)	Code	Case Size	Ripple Current	Case Size	Ripple Current	Case Size	Ripple Current	Case Size	Ripple Current



Voltage (Code)		250V (2E)		315V (2F)		350V (2V)		385V (2Y)	
Cap. (μF)	Code	Case Size	Ripple Current	Case Size	Ripple Current	Case Size	Ripple Current	Case Size	Ripple Current

Voltage (Code)		400V (2G)		420V (2M)		450V (2W)	
Cap. (μF)	Code	Case Size	Ripple Current	Case Size	Ripple Current	Case Size	Ripple Current





Voltage (Code)		500V (2H)		550V (25)		600V (26)	
Cap. (μF)	Code	Case Size	Ripple Current	Case Size	Ripple Current	Case Size	Ripple Current



**Item** | **Performance Characteristics**

Working Voltage (V)  
tan δ (max.)

Working Voltage (V)  
tan δ (max.)

Working Voltage (V)  
Z-25°C / Z+20°C  
Z-40°C / Z+20°C

Working Voltage (V)  
Z-25°C / Z+20°C

1	2,3	4,5,6	7	8,9	10	11,12	13,14
E	EP	228	M	2C	Q	45	SW

Voltage (Code)		10V (1A)		16V (1C)		25V (1E)		35V (1V)	
Cap. (μF)	Code	Case Size	Ripple Current	Case Size	Ripple Current	Case Size	Ripple Current	Case Size	Ripple Current

Voltage (Code)		50V (1H)		63V (1J)		80V (1K)		100V (2A)	
Cap. (µF)	Code	Case Size	Ripple Current	Case Size	Ripple Current	Case Size	Ripple Current	Case Size	Ripple Current



Voltage (Code)		160V (2C)		200V (2D)		250V (2E)		315V (2F)	
Cap. (µF)	Code	Case Size	Ripple Current	Case Size	Ripple Current	Case Size	Ripple Current	Case Size	Ripple Current

Voltage (Code)		350V (2V)		400V (2G)		420V (2M)		450V (2W)	
Cap. (µF)	Code	Case Size	Ripple Current	Case Size	Ripple Current	Case Size	Ripple Current	Case Size	Ripple Current



Voltage (Code)		500V (2H)		550V (25)	
Cap. (μF)	Code	Case Size	Ripple Current	Case Size	Ripple Current





Item Performance Characteristics

Working Voltage (V)  
tan δ (max.)

Working Voltage (V)  
Z-25°C / Z+20°C  
Z-40°C / Z+20°C

Working Voltage (V)  
Z-25°C / Z+20°C

1	23	456	7	89	10	11 12	13 14
E	FP	337	M	2 E	P	3 0	S W



Voltage (Code)		10V (1A)			16V (1C)			25V (1E)		
Cap. (µF)	Code	Case Size	Impedance	Ripple Current	Case Size	Impedance	Ripple Current	Case Size	Impedance	Ripple Current

Voltage (Code)		35V (1V)			50V (1H)			63V (1J)		
Cap. (µF)	Code	Case Size	Impedance	Ripple Current	Case Size	Impedance	Ripple Current	Case Size	Impedance	Ripple Current

Voltage (Code)		80V (1K)			100V (2A)			200V (2D)		
Cap. (µF)	Code	Case Size	Impedance	Ripple Current	Case Size	Impedance	Ripple Current	Case Size	Impedance	Ripple Current

Voltage (Code)		250V (2E)			400V (2G)			450V (2W)		
Cap. (µF)	Code	Case Size	Impedance	Ripple Current	Case Size	Impedance	Ripple Current	Case Size	Impedance	Ripple Current



**Item** | **Performance Characteristics**

Working Voltage (V)  
tan δ (max.)

Working Voltage (V)  
Z-25°C / Z+20°C  
Z-40°C / Z+20°C

1	2,3	4,5,6	7	8,9	10	11,12	13,14
E	SP	107	M	2G	O	30	SW

Voltage (Code)		160V (2C)		200V (2D)		250V (2E)		315V (2F)	
Cap. (μF)	Code	Case Size	Ripple Current	Case Size	Ripple Current	Case Size	Ripple Current	Case Size	Ripple Current

Voltage (Code)		350V (2V)		400V (2G)		450V (2W)	
Cap. (μF)	Code	Case Size	Ripple Current	Case Size	Ripple Current	Case Size	Ripple Current





Item Performance Characteristics

Working Voltage (V)  
tan δ (max.)

Working Voltage (V)  
tan δ (max.)

Working Voltage (V)  
Z-25°C / Z+20°C  
Z-40°C / Z+20°C

1	2,3	4,5,6	7	8,9	10	11,12	13,14
E	VP	477	M	2D	O	30	SW

Voltage (Code)		10V (1A)		16V (1C)		25V (1E)		35V (1V)	
Cap. (μF)	Code	Case Size	Ripple Current	Case Size	Ripple Current	Case Size	Ripple Current	Case Size	Ripple Current



Voltage (Code)		50V (1H)		63V (1J)		80V (1K)		100V (2A)	
Cap. (μF)	Code	Case Size	Ripple Current	Case Size	Ripple Current	Case Size	Ripple Current	Case Size	Ripple Current

Voltage (Code)		160V (2C)		180V (2P)		220V (2D)		220V (2N)	
Cap. (μF)	Code	Case Size	Ripple Current	Case Size	Ripple Current	Case Size	Ripple Current	Case Size	Ripple Current





Voltage (Code)		250V (2E)		315V (2F)		350V (2V)		385V (2Y)	
Cap. (μF)	Code	Case Size	Ripple Current	Case Size	Ripple Current	Case Size	Ripple Current	Case Size	Ripple Current



Voltage (Code)		400V (2G)		420V (2M)		450V (2W)		500V (2H)	
Cap. (µF)	Code	Case Size	Ripple Current	Case Size	Ripple Current	Case Size	Ripple Current	Case Size	Ripple Current





**Item** | **Performance Characteristics**

Working Voltage (V)  
tan δ (max.)

Working Voltage (V)  
Z-25°C / Z+20°C  
Z-40°C / Z+20°C

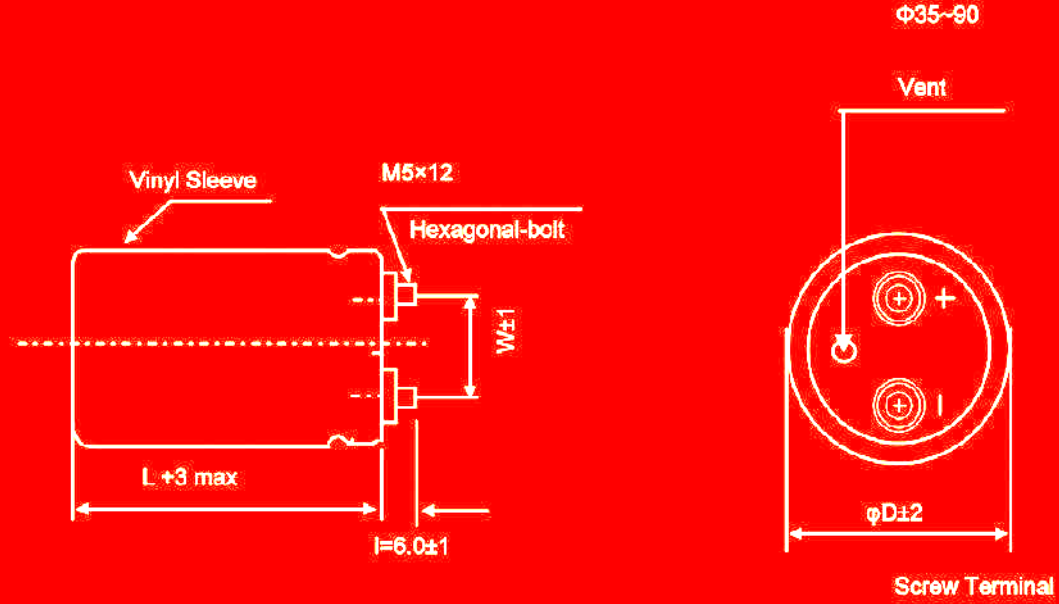
1	2 3	4 5 6	7	8 9	10	11 12	13 14
E	GP	567	M	2 E	O	3 5	S W

Voltage (Code)		160V (2C)		180V (2P)		200V (2D)		220V (2N)	
Cap. (µF)	Code	Case Size	Ripple Current	Case Size	Ripple Current	Case Size	Ripple Current	Case Size	Ripple Current



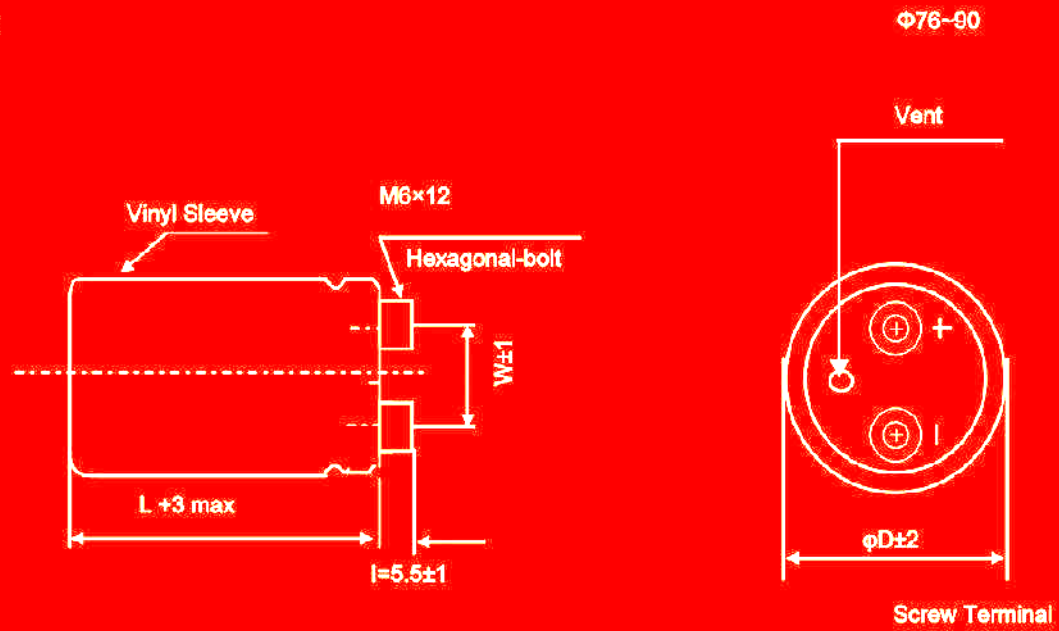
Voltage (Code)		250V (2E)		400V (2G)		420V (2M)		450V (2W)	
Cap. (μF)	Code	Case Size	Ripple Current	Case Size	Ripple Current	Case Size	Ripple Current	Case Size	Ripple Current

O-Type



Unit : mm

D-Type



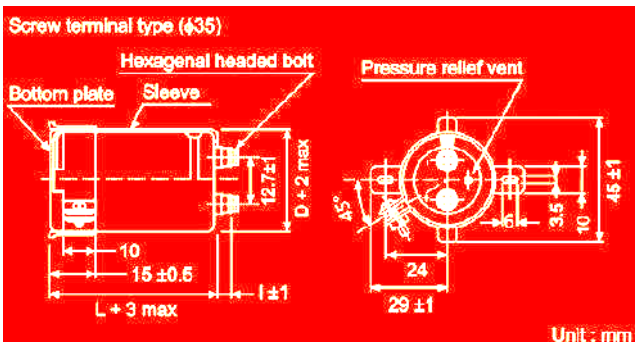
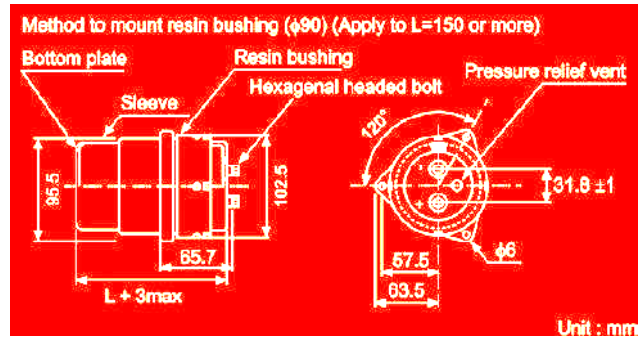
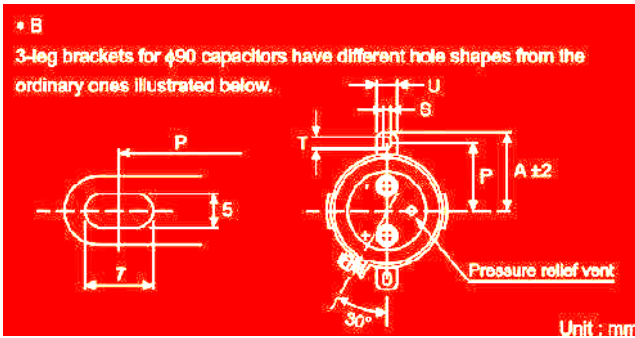
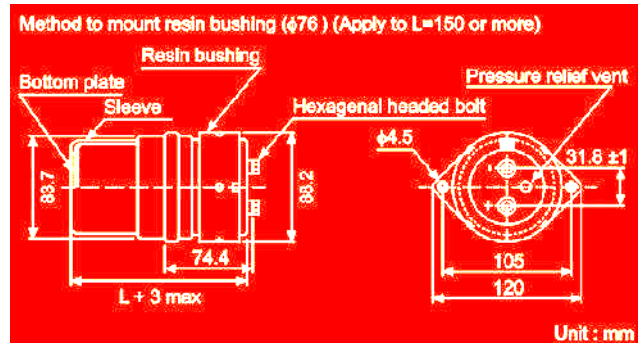
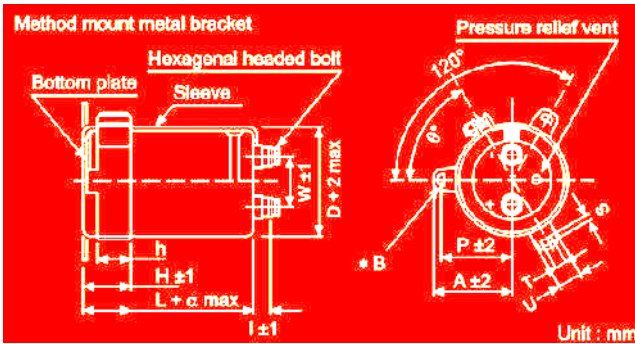
Unit : mm



Item Performance Characteristics

Working Voltage (V)  
Z-25°C / Z+20°C  
Z-40°C / Z+20°C

1	2,3	4,5,6	7	8,9	10	11,12	13,14
E	WR	688	M	2C	S	1L	OO



Voltage (Code)		3 - Leg					2 - Leg			
Symbol	φD	51	63.5	76	90	35	51	63.5	76	90



Voltage (Code)		10V (1A)			16V (1C)			25V (1E)		
5V		13			20			32		
Cap. (µF)	Code	Case Size	tan δ	Ripple Current	Case Size	tan δ	Ripple Current	Case Size	tan δ	Ripple Current

Voltage (Code)		35V (1V)			50V (1H)			63V (1J)		
5V		44			63			79		
Cap. (µF)	Code	Case Size	tan δ	Ripple Current	Case Size	tan δ	Ripple Current	Case Size	tan δ	Ripple Current

Voltage (Code)		80V (1K)			100V (2A)			160V (2C)		
SV		100			125			200		
Cap. (µF)	Code	Case Size	tan δ	Ripple Current	Case Size	tan δ	Ripple Current	Case Size	tan δ	Ripple Current

Voltage (Code)		200V (2D)			250V (2E)			350V (2V)		
SV		250			300			400		
Cap. (µF)	Code	Case Size	tan δ	Ripple Current	Case Size	tan δ	Ripple Current	Case Size	tan δ	Ripple Current

Voltage (Code)		400V (2G)			450V (2W)			500V (2H)		
SV		450			500			550		
Cap. (µF)	Code	Case Size	tan δ	Ripple Current	Case Size	tan δ	Ripple Current	Case Size	tan δ	Ripple Current

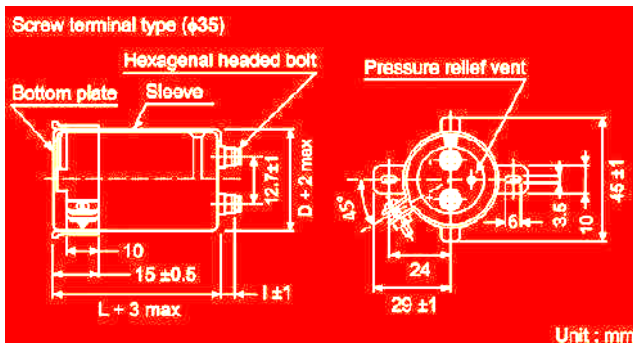
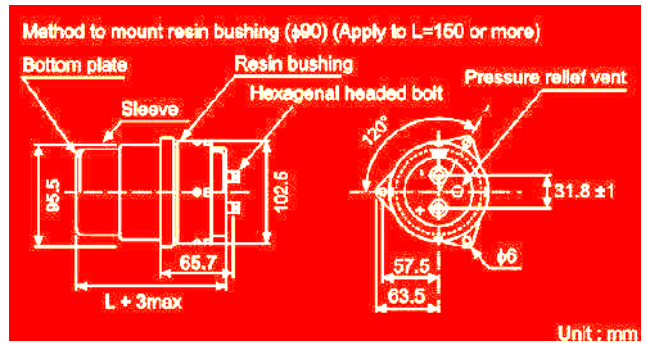
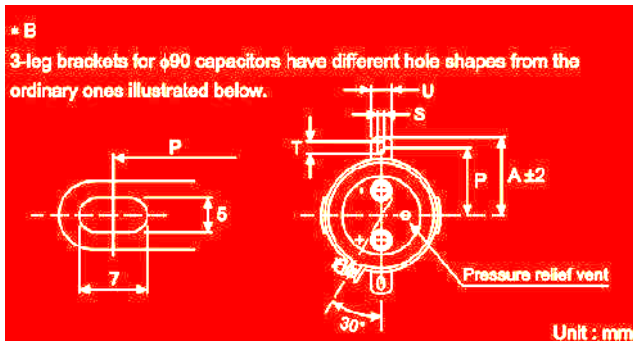
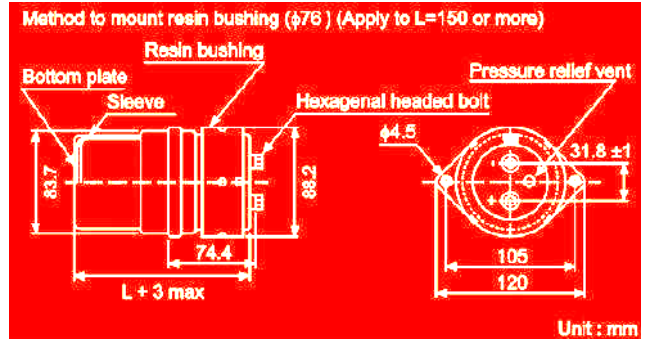
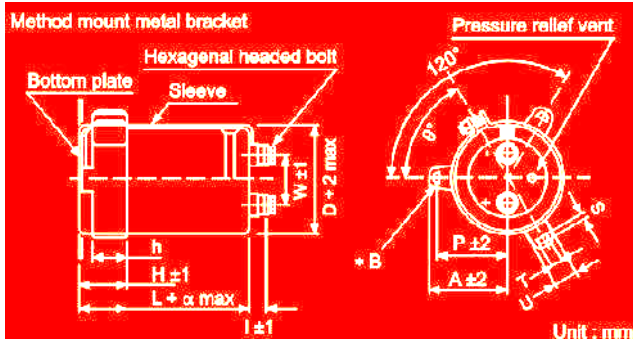
Voltage (Code)		550V (25)			600V (26)			630V (2J)		
SV		600			650			680		
Cap. (µF)	Code	Case Size	tan δ	Ripple Current	Case Size	tan δ	Ripple Current	Case Size	tan δ	Ripple Current



**Item** | **Performance Characteristics**

Working Voltage (V)  
Z-25°C / Z+20°C

1	2,3	4,5,6	7	8,9	10	11,12	13,14
E	WI	228	M	2V	S	95	O5



Voltage (Code)		3-Leg					2-Leg			
Symbol	ΦD	51	63.5	76	90	35	51	63.5	76	90

Voltage (Code)		350V (2V)		400V (2G)		450V (2W)	
5V		400		450		500	
Cap. (μF)	Code	Case Size	Ripple Current	Case Size	Ripple Current	Case Size	Ripple Current

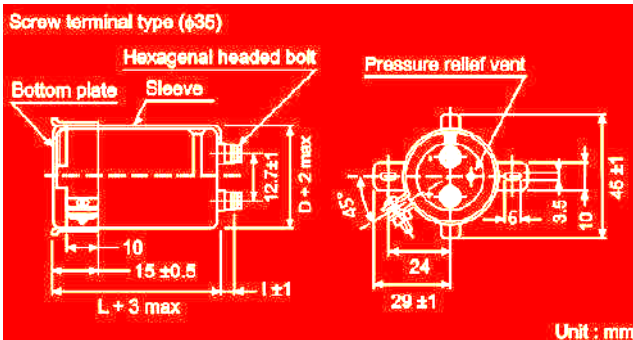
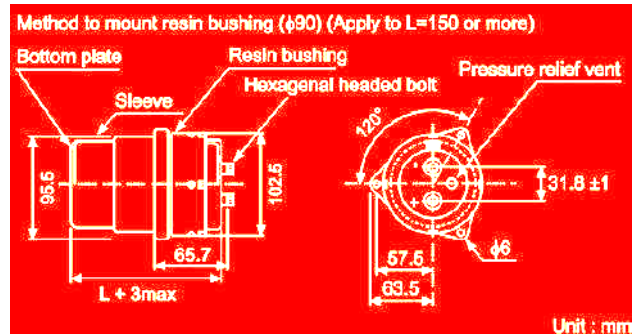
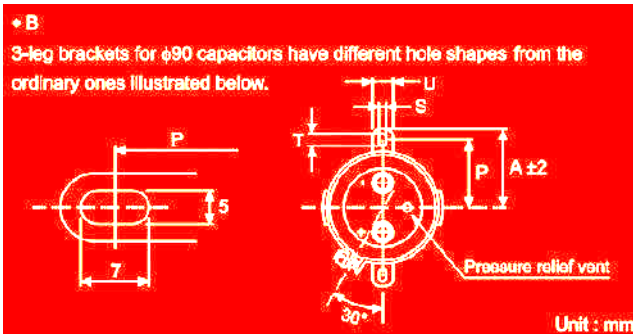
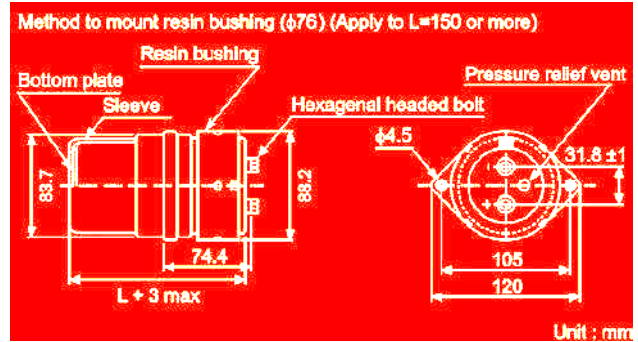
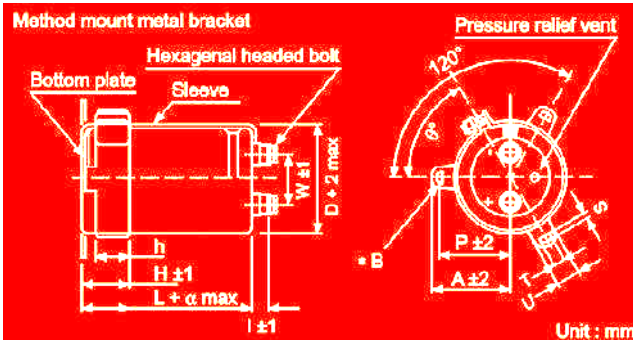




Item	Performance Characteristics
------	-----------------------------

Working Voltage (V)
Z-25°C / Z+20°C
Z-40°C / Z+20°C

1	2,3	4,5,6	7	8,9	10	11,12	13,14
E	WT	278	M	2V	T	1L	OO



Voltage (Code)		3 - Leg					2 - Leg			
Symbol	φD	51	63.5	76	90	35	51	63.5	76	90



Voltage (Code)		10V (1A)			16V (1C)			25V (1E)		
SV		13			20			32		
Cap. (µF)	Code	Case Size	tan δ	Ripple Current	Case Size	tan δ	Ripple Current	Case Size	tan δ	Ripple Current

Voltage (Code)		35V (1V)			50V (1H)			63V (1J)		
SV		44			63			79		
Cap. (µF)	Code	Case Size	tan δ	Ripple Current	Case Size	tan δ	Ripple Current	Case Size	tan δ	Ripple Current

Voltage (Code)		80V (1K)			100V (2A)			160V (2C)		
SV		100			125			200		
Cap. (µF)	Code	Case Size	tan δ	Ripple Current	Case Size	tan δ	Ripple Current	Case Size	tan δ	Ripple Current

Voltage (Code)		200V (2D)			250V (2E)			315V (2F)		
SV		250			300			365		
Cap. (µF)	Code	Case Size	tan δ	Ripple Current	Case Size	tan δ	Ripple Current	Case Size	tan δ	Ripple Current

Voltage (Code)		350V (2V)			400V (2G)			450V (2W)		
SV		400			450			500		
Cap. (μF)	Code	Case Size	tan δ	Ripple Current	Case Size	tan δ	Ripple Current	Case Size	tan δ	Ripple Current

Voltage (Code)		500V (2H)		
SV		550		
Cap. (μF)	Code	Case Size	tan δ	Ripple Current



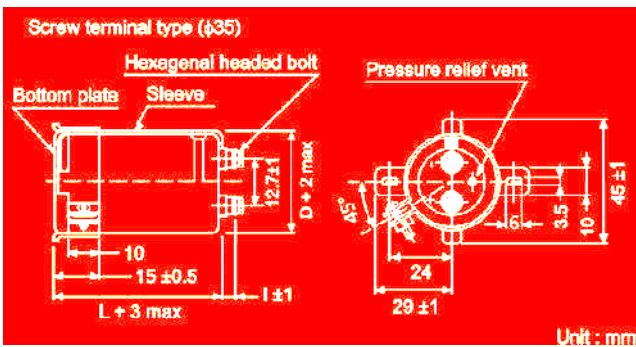
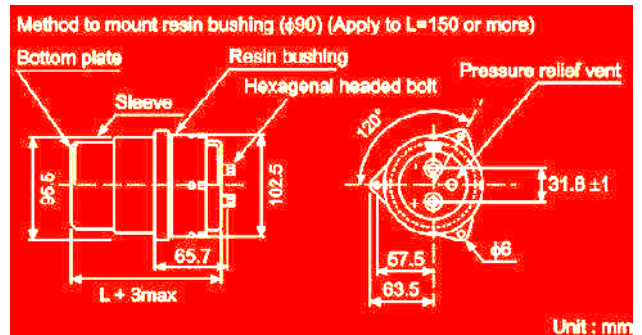
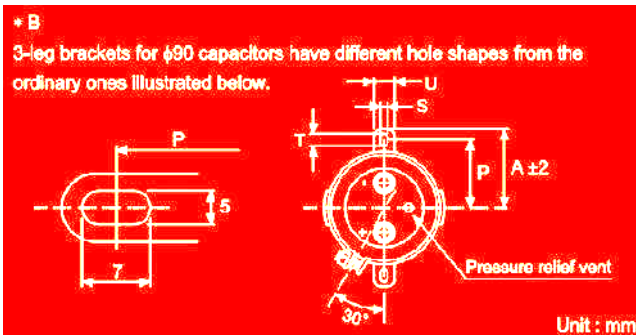
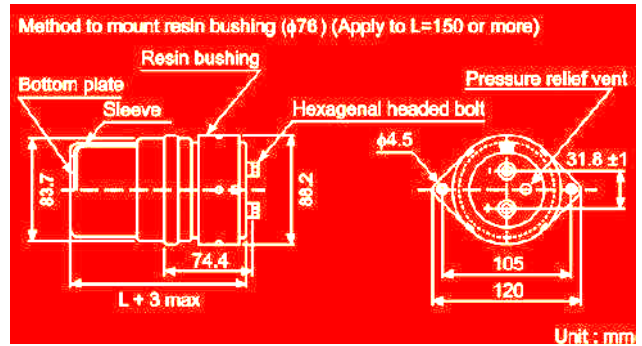
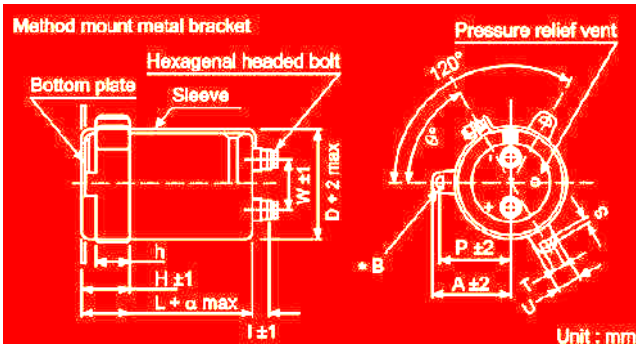
**Item** | **Performance Characteristics**

$\Phi$ D	L	V	10	16	25	35	50	63	80	100
----------	---	---	----	----	----	----	----	----	----	-----

$\Phi$ D	L	V	160~250	350~450
----------	---	---	---------	---------

Working Voltage (V)	
Z-25°C / Z+20°C	
Z-40°C / Z+20°C	

1	23	456	7	89	10	11 12	13 14
E	WX	228	M	2G	S	1M	OO



Voltage (Code)		3 - Leg					2 - Leg				
Symbol	ΦD	51	63.5	76	90	35	51	63.5	76	90	

Voltage (Code)		10V (1A)		16V (1C)		25V (1E)		35V (1V)	
SV		13		20		32		44	
Cap. (µF)	Code	Case Size	Ripple Current	Case Size	Ripple Current	Case Size	Ripple Current	Case Size	Ripple Current

Voltage (Code)		50V (1H)		63V (1J)		80V (1K)		100V (2A)	
SV		63		79		100		125	
Cap. (µF)	Code	Case Size	Ripple Current	Case Size	Ripple Current	Case Size	Ripple Current	Case Size	Ripple Current

Voltage (Code)		160V (2C)		200V (2D)		250V (2E)		350V (2V)	
SV		200		250		300		400	
Cap. (µF)	Code	Case Size	Ripple Current	Case Size	Ripple Current	Case Size	Ripple Current	Case Size	Ripple Current

Voltage (Code)		400V (2G)		450V (2W)		500V (2H)		550V (25)	
5V		450		500		550		600	
Cap. (μF)	Code	Case Size	Ripple Current	Case Size	Ripple Current	Case Size	Ripple Current	Case Size	Ripple Current

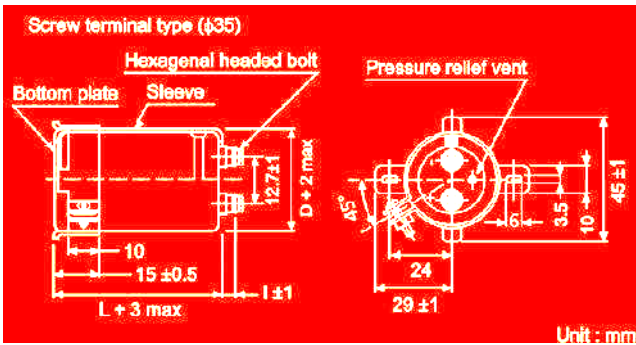
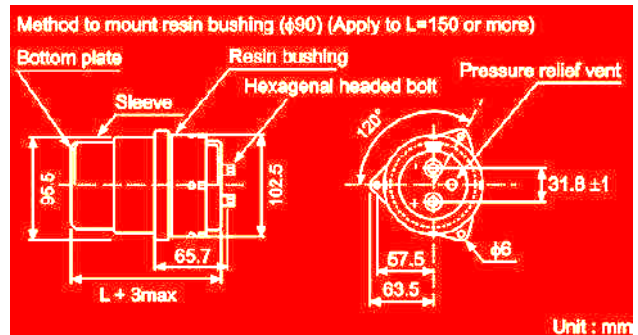
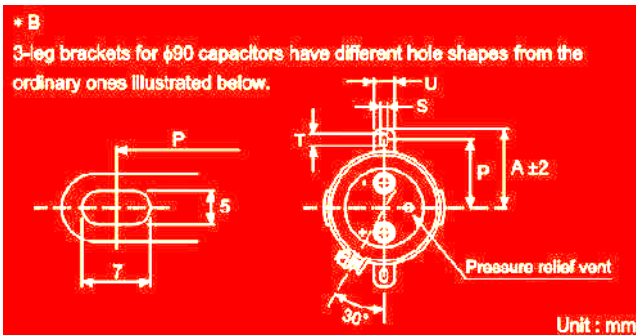
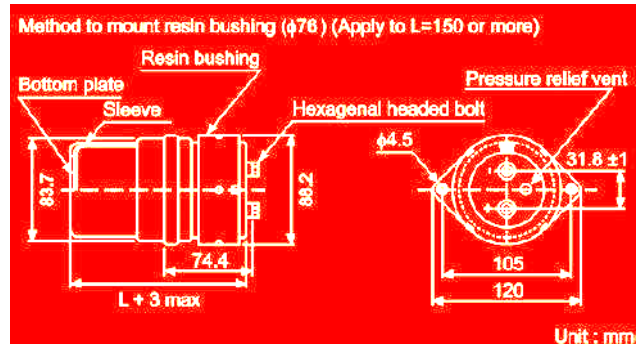
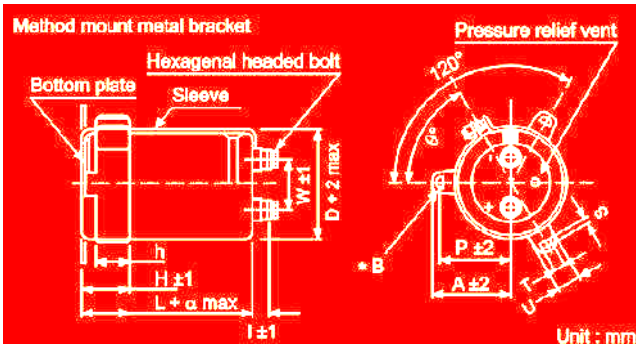


**Item** | **Performance Characteristics**

Working Voltage (V)  
Z-25°C / Z+20°C  
Z-40°C / Z+20°C

1	2 3	4 5 6	7	8 9	10	11 12	13 14
E	WF	688	M	2V	U	1P	OO





Voltage (Code)		3 - Leg					2 - Leg				
Symbol	ΦD	51	63.5	76	90	35	51	63.5	76	90	

Voltage (Code)		10V (1A)			16V (1C)			25V (1E)		
SV		13			20			32		
Cap. (µF)	Code	Case Size	tan δ	Ripple Current	Case Size	tan δ	Ripple Current	Case Size	tan δ	Ripple Current

Voltage (Code)		35V (1V)			50V (1H)			63V (1J)		
SV		44			63			79		
Cap. (µF)	Code	Case Size	tan δ	Ripple Current	Case Size	tan δ	Ripple Current	Case Size	tan δ	Ripple Current

Voltage (Code)		80V (1K)			100V (2A)			160V (2C)		
SV		100			125			200		
Cap. (µF)	Code	Case Size	tan δ	Ripple Current	Case Size	tan δ	Ripple Current	Case Size	tan δ	Ripple Current

Voltage (Code)		200V (2G)			250V (2W)			350V (2H)		
SV		250			300			400		
Cap. (µF)	Code	Case Size	tan δ	Ripple Current	Case Size	tan δ	Ripple Current	Case Size	tan δ	Ripple Current

Voltage (Code)		400 (2G)			450V (2W)			500V (2H)		
SV		450			500			550		
Cap. (µF)	Code	Case Size	tan δ	Ripple Current	Case Size	tan δ	Ripple Current	Case Size	tan δ	Ripple Current





**Item** | **Performance Characteristics**

Working Voltage (V)  
tan δ (max.)

Working Voltage (V)  
Z-25°C / Z+20°C

1	2,3	4,5,6	7	8,9	10	11,12	13,14
E	WH	338	M	2G	U	90	OO



Voltage (Code)		350V (2V)		400V (2G)		450V (2W)		500V (2H)	
5V		400		450		500		550	
Cap. (µF)	Code	Case Size	Ripple Current	Case Size	Ripple Current	Case Size	Ripple Current	Case Size	Ripple Current





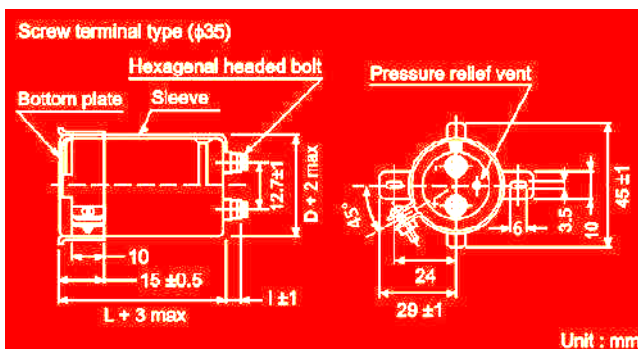
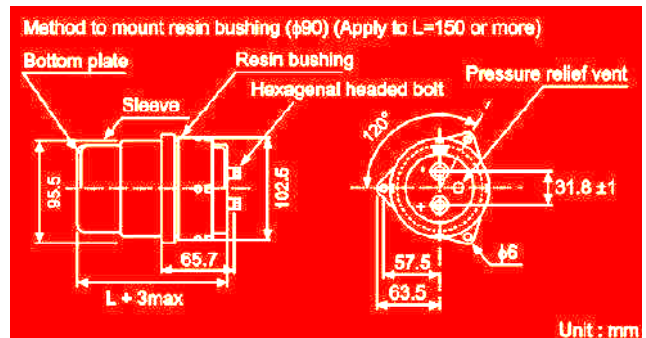
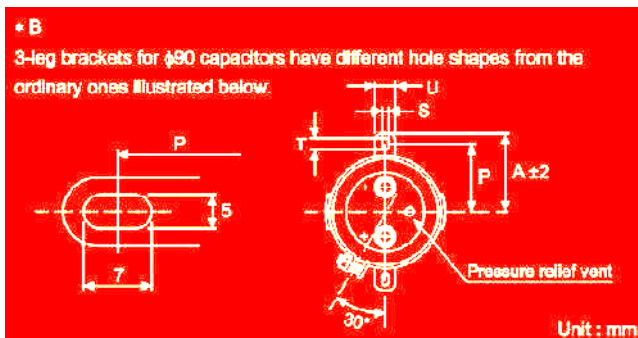
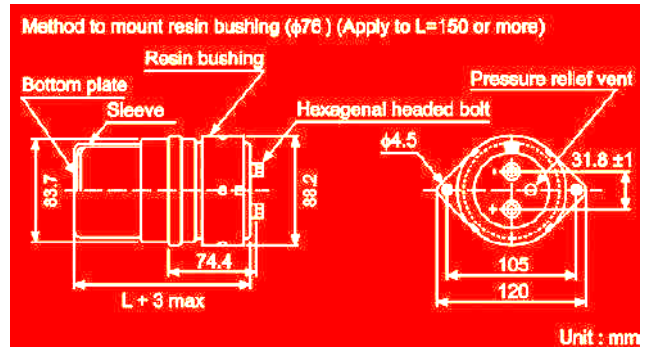
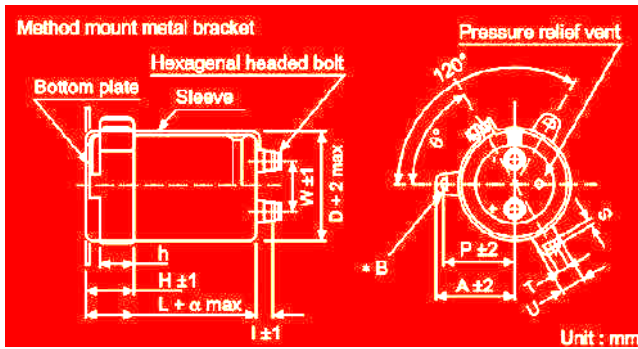
**Item** | **Performance Characteristics**

Working Voltage (V)  
tan δ (max.)

Working Voltage (V)  
Z-25°C / Z+20°C

1	2,3	4,5,6	7	8,9	10	11,12	13,14
E	WL	478	M	2V	U	1N	OO





Voltage (Code)		3 - Leg			2 - Leg		
Symbol	φD	63.5	76	90	63.5	76	90

Voltage (Code)		350V (2V)		400V (2G)		450V (2W)	
5V		400		450		500	
Cap. (µF)	Code	Case Size	Ripple Current	Case Size	Ripple Current	Case Size	Ripple Current

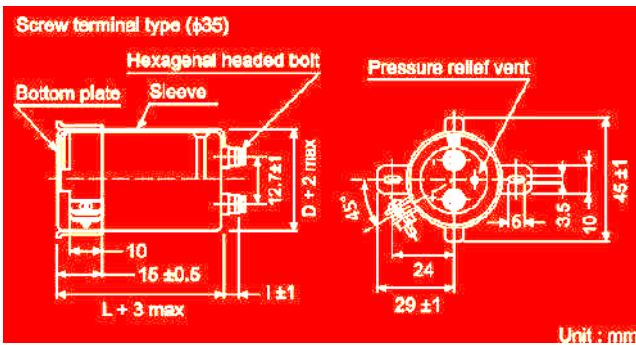
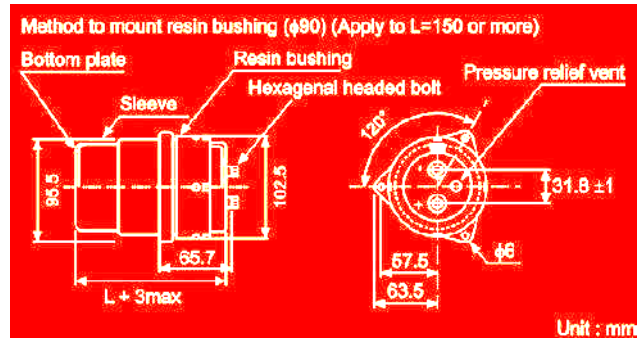
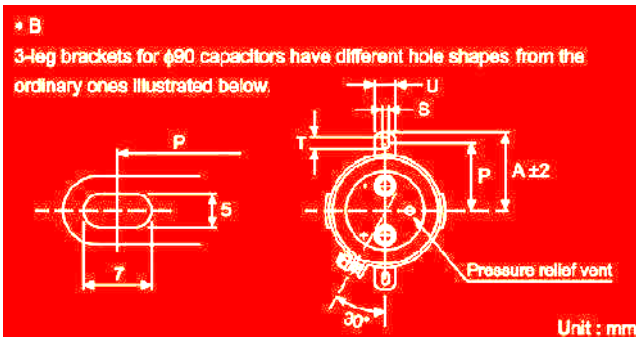
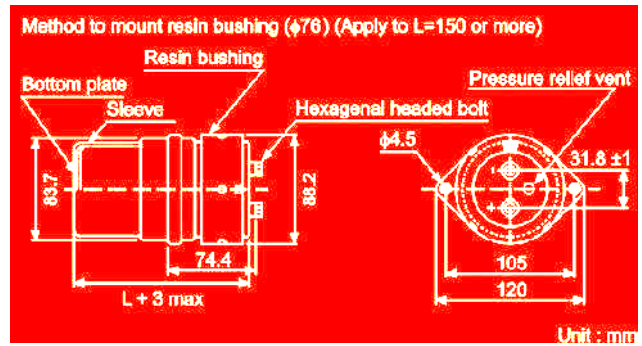
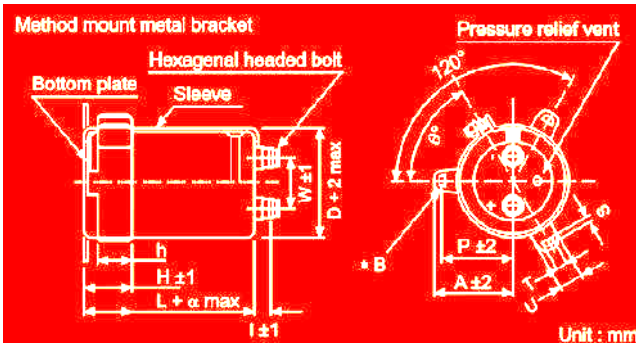




**Item** | **Performance Characteristics**

Working Voltage (V)  
Z-25°C / Z+20°C

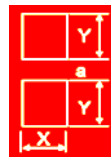
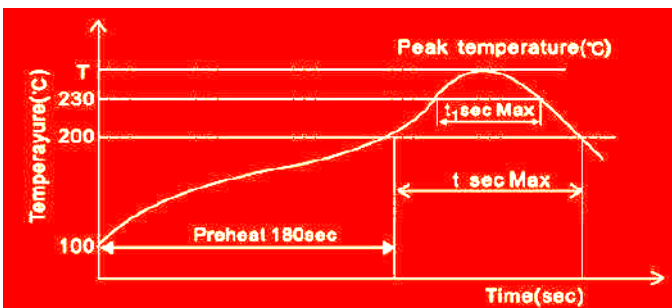
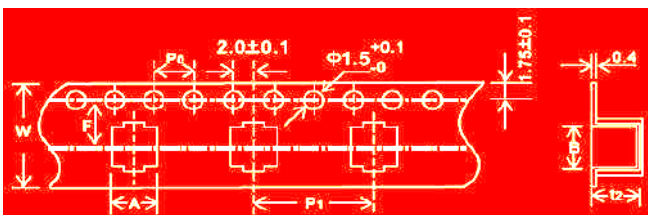
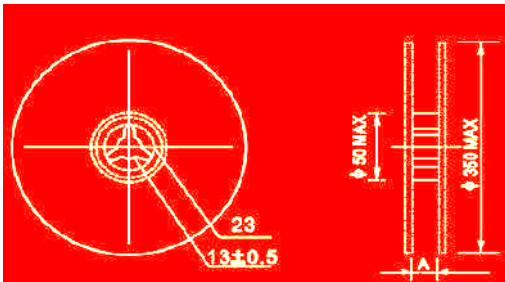
1	2,3	4,5,6	7	8,9	10	11,12	13,14
E	WB	108	M	2D	Q	80	OO



Voltage (Code)		3 - Leg				2 - Leg				
Symbol	φD	51	63.5	76	90	35	51	63.5	76	90

Voltage (Code)		160V (2C)			200V (2D)			250V (2E)		
SV		200			250			300		
Cap. (µF)	Code	Case Size	tan δ	Ripple Current	Case Size	tan δ	Ripple Current	Case Size	tan δ	Ripple Current

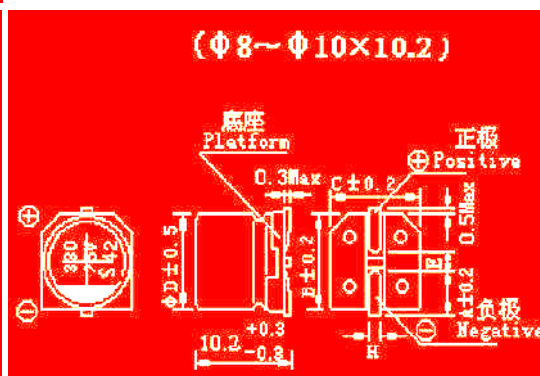
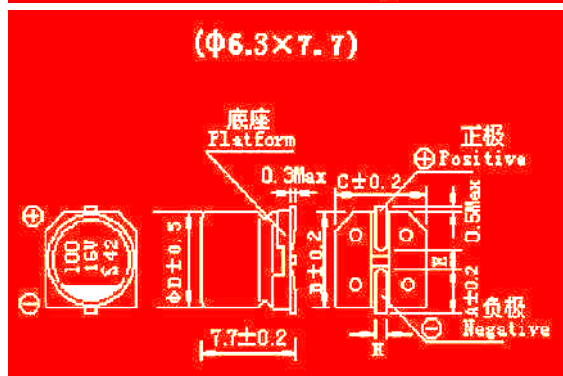
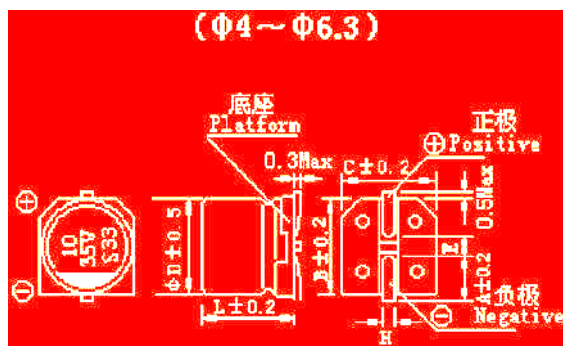
Voltage (Code)		350V (2V)			400V (2G)		
SV		400			450		
Cap. (µF)	Code	Case Size	tan δ	Ripple Current	Case Size	tan δ	Ripple Current





Item Performance Characteristics

Working Voltage (V)
tanδ (max.) $\Phi$ 4-6.3
$\Phi$ 8-10
Working Voltage (V)
Z-40°C / Z+20°C



1	23	456	7	89	10	11 12	13 14
V	S1	477	M	1C	F	T2	TR

Voltage (Code)		6.3V (0J)		10V (1A)		16V (1C)		25V (1E)	
Cap. (µF)	Code	Case Size	Ripple Current	Case Size	Ripple Current	Case Size	Ripple Current	Case Size	Ripple Current

Voltage (Code)		35V (1V)		50V (1H)	
Cap. (µF)	Code	Case Size	Ripple Current	Case Size	Ripple Current

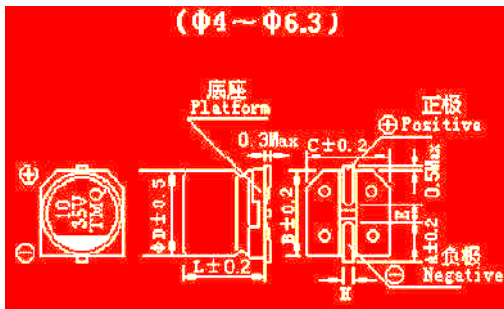




Item Performance Characteristics

Working Voltage (V)  
tanδ

Working Voltage (V)  
Z-25°C / Z+20°C  
Z-40°C / Z+20°C



1	23	456	7	89	10	1112	1314
V	T1	107	M	1C	E	54	TR

Voltage (Code)		6.3V (0J)		10V (1A)		16V (1C)		25V (1E)	
Cap. (μF)	Code	Case Size	Ripple Current	Case Size	Ripple Current	Case Size	Ripple Current	Case Size	Ripple Current

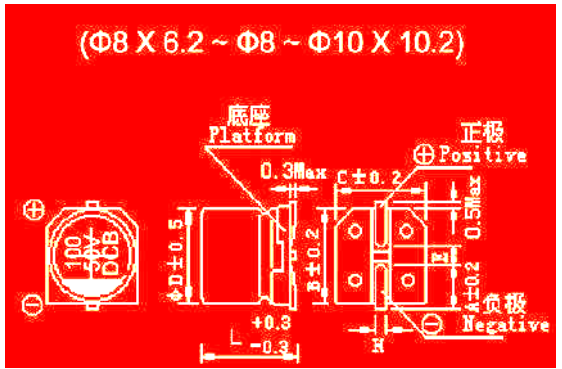
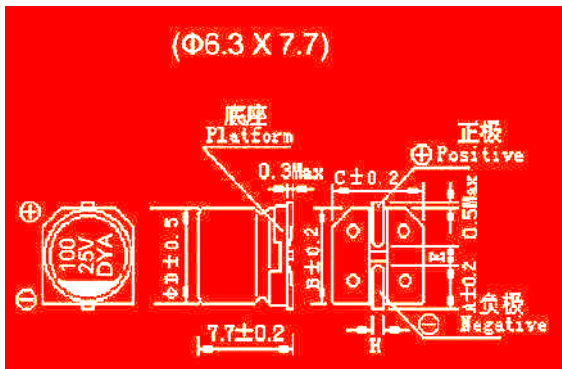
Voltage (Code)		35V (1V)		50V (1H)	
Cap. (μF)	Code	Case Size	Ripple Current	Case Size	Ripple Current



Item Performance Characteristics

Working Voltage (V)  
tanδ (max.)

Working Voltage (V)  
Z-25°C / Z+20°C  
Z-40°C / Z+20°C



1	23	456	7	89	10	11 12	13 14
V	TD	477	M	1E	G	T2	TR

Voltage (Code)		6.3V (0J)		10V (1A)		16V (1C)		25V (1E)	
Cap. (µF)	Code	Case Size	Ripple Current	Case Size	Ripple Current	Case Size	Ripple Current	Case Size	Ripple Current

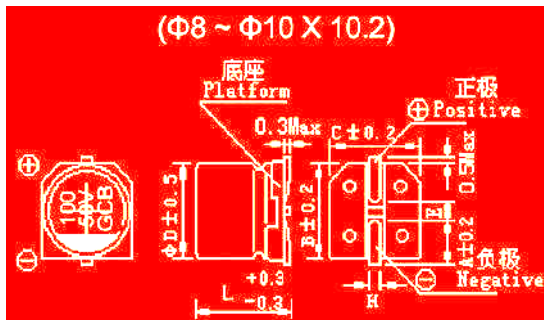
Voltage (Code)		35V (1V)		50V (1H)		63V (1J)		100V (2A)	
Cap. (µF)	Code	Case Size	Ripple Current	Case Size	Ripple Current	Case Size	Ripple Current	Case Size	Ripple Current



Item Performance Characteristics

Working Voltage (V)  
tanδ

Working Voltage (V)  
Z-25°C / Z+20°C



1	23	456	7	89	10	1112	1314
V	TG	225	M	2G	F	T2	TR

Voltage (Code)		400V (2G)	
Cap. (μF)	Code	Case Size	Ripple Current

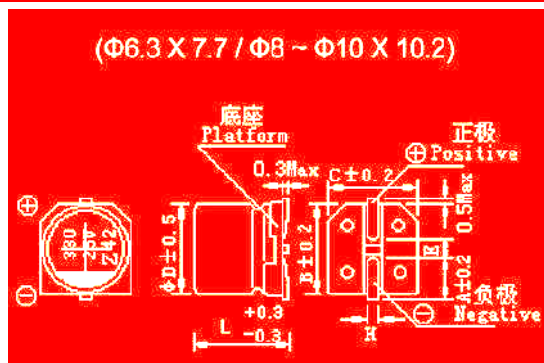
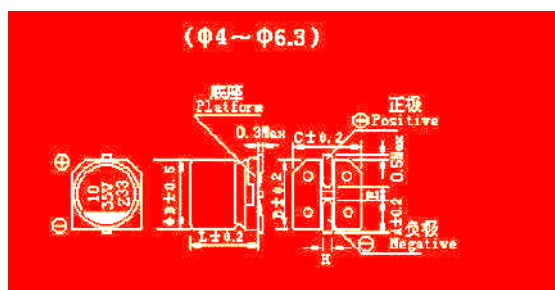




Item Performance Characteristics

Working Voltage (V)  
tanδ (max.)

Working Voltage (V)  
Z-25°C / Z+20°C  
Z-40°C / Z+20°C  
Z-55°C / Z+20°C



1	23	456	7	89	10	11 12	13 14
V	Z2	477	M	1E	G	T2	TR

Voltage (Code)		6.3V (0J)			10V (1A)			16V (1C)			25V (1E)			35V (1V)		
Cap. (µF)	Code	Case Size	Impedance	Ripple Current	Case Size	Impedance	Ripple Current	Case Size	Impedance	Ripple Current	Case Size	Impedance	Ripple Current	Case Size	Impedance	Ripple Current

Voltage (Code)		50V (1H)			63V (1I)			80V(1K)			100V (2A)		
Cap. (µF)	Code	Case Size	Impedance	Ripple Current	Case Size	Impedance	Ripple Current	Case Size	Impedance	Ripple Current	Case Size	Impedance	Ripple Current

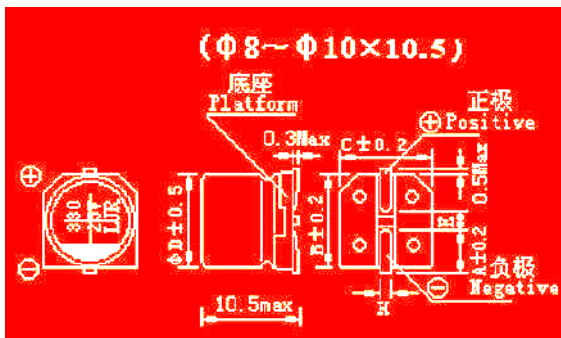
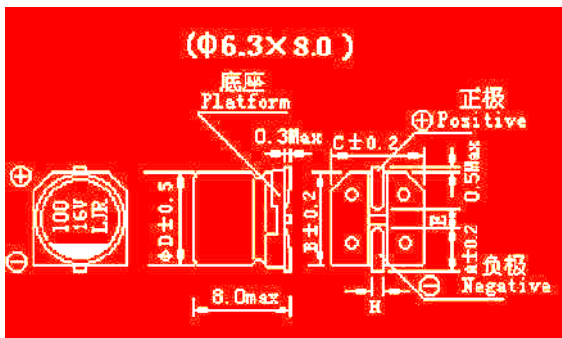
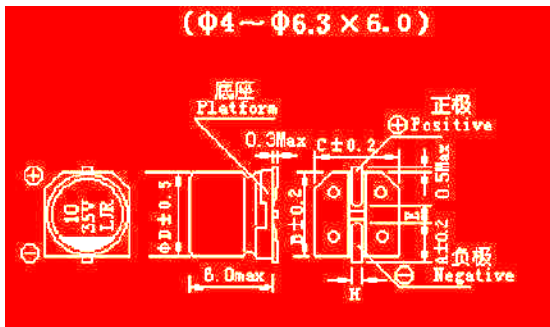




Item Performance Characteristics

Working Voltage (V)  
tanδ

Working Voltage (V)  
Z-25°C / Z+20°C  
Z-40°C / Z+20°C



1	23	456	7	89	10	11 12	13 14
V	TL	477	M	1E	G	1K	TR

Voltage (Code)		6.3V (0J)		10V (1A)		16V (1C)		25V (1E)	
Cap. (µF)	Code	Case Size	Ripple Current	Case Size	Ripple Current	Case Size	Ripple Current	Case Size	Ripple Current

Voltage (Code)		35V (1V)		50V (1H)	
Cap. (µF)	Code	Case Size	Ripple Current	Case Size	Ripple Current

