

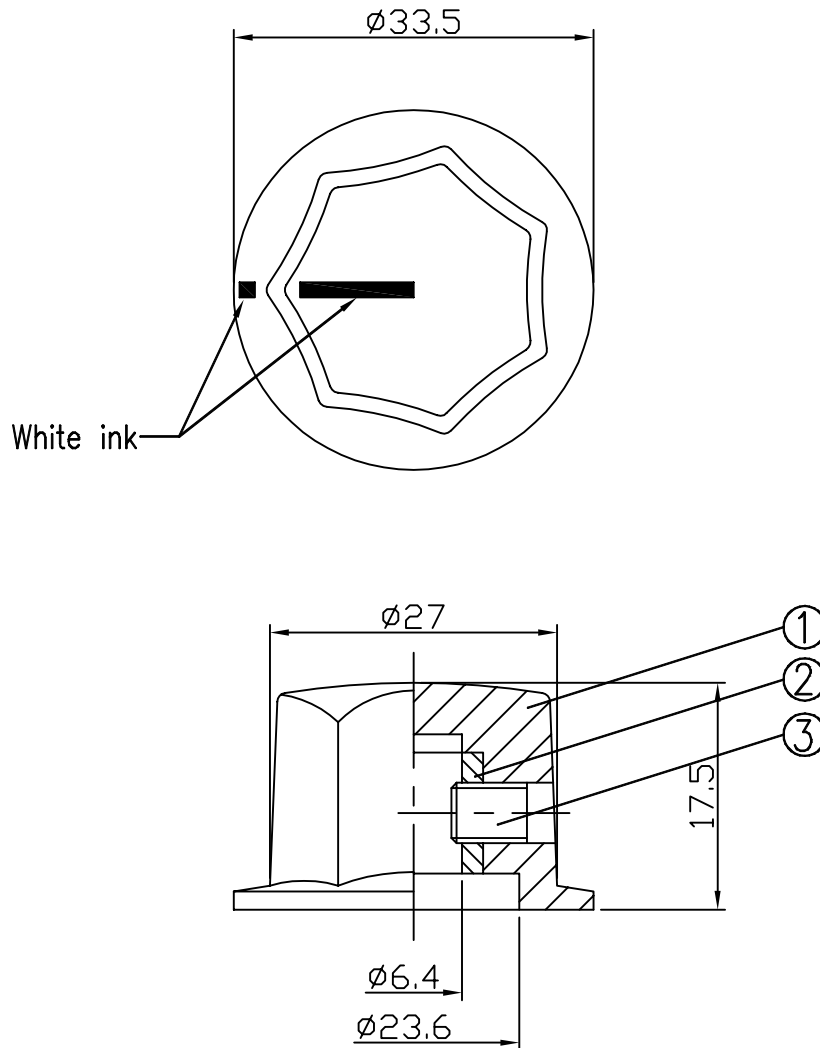


HESTORE.HU

elektronikai alkatrész áruház

EN: This Datasheet is presented by the manufacturer.

Please visit our website for pricing and availability at www.hestore.hu.



TOLERANCE: ±0.3mm UNLESS OTHERWISE SPECIFIED.

3	Screw	1	Copper alloy	M4*P0.75*8L		
2	Metal insert	1	Zinc Alloy Δ	$\phi 9.2*8L*\phi 6.4$		
1	Housing	1	PF			
No	Description	Q'ty	Material	Spec	Finish	Remark
11/16/'07	曹盈芳	Change Insert copper housing Copper alloy -> Zinc Alloy				Δ
Date	Name	Description				NO
Drawn	Checked	Approved	SCI BOM NO.	1410052	Model Name	POINTER KNOBS
曹盈芳		李景煌	Customer No.	45KN014-GRX	Model No.	PN-9C(PN-21M) REV.
11/16/'07		11/16/'07	Unit	mm	SHIN CHIN INDUSTRIAL CO., LTD. 1	