



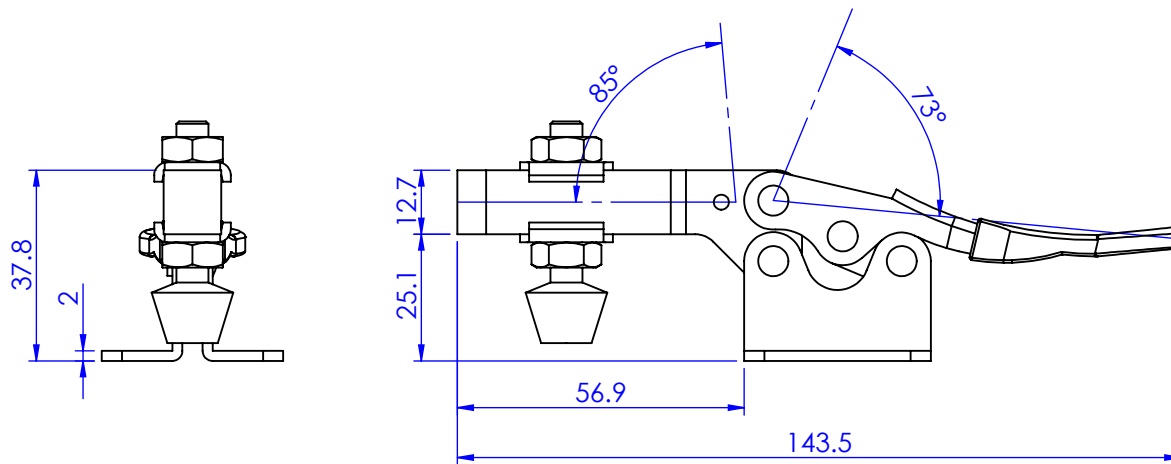
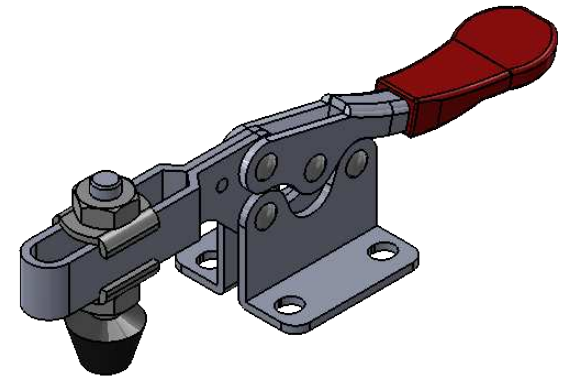
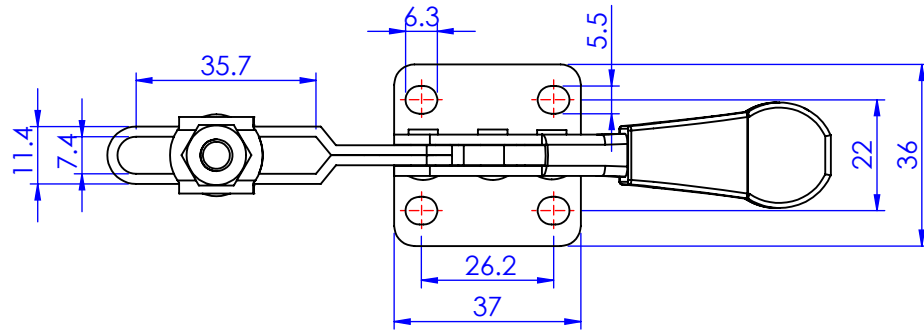
HESTORE.HU

elektronikai alkatrész áruház

EN: This Datasheet is presented by the manufacturer.

Please visit our website for pricing and availability at www.hestore.hu.

Part No:	GH-201-B
Holding Capacity:	90Kg
Bar Opens:	85°
Handle Opens:	73°
Weight:	0.13Kg
Spindle Supplied:	FC-064410
Flanged Washers:	FW-140



Unit:mm
Scale: 1:1.5

 **Good Hand Enterprise Co., Ltd**

TITLE:		
DWG NO.	GH-201-B	A4